

ROCK SLIDER



P/N 2885146

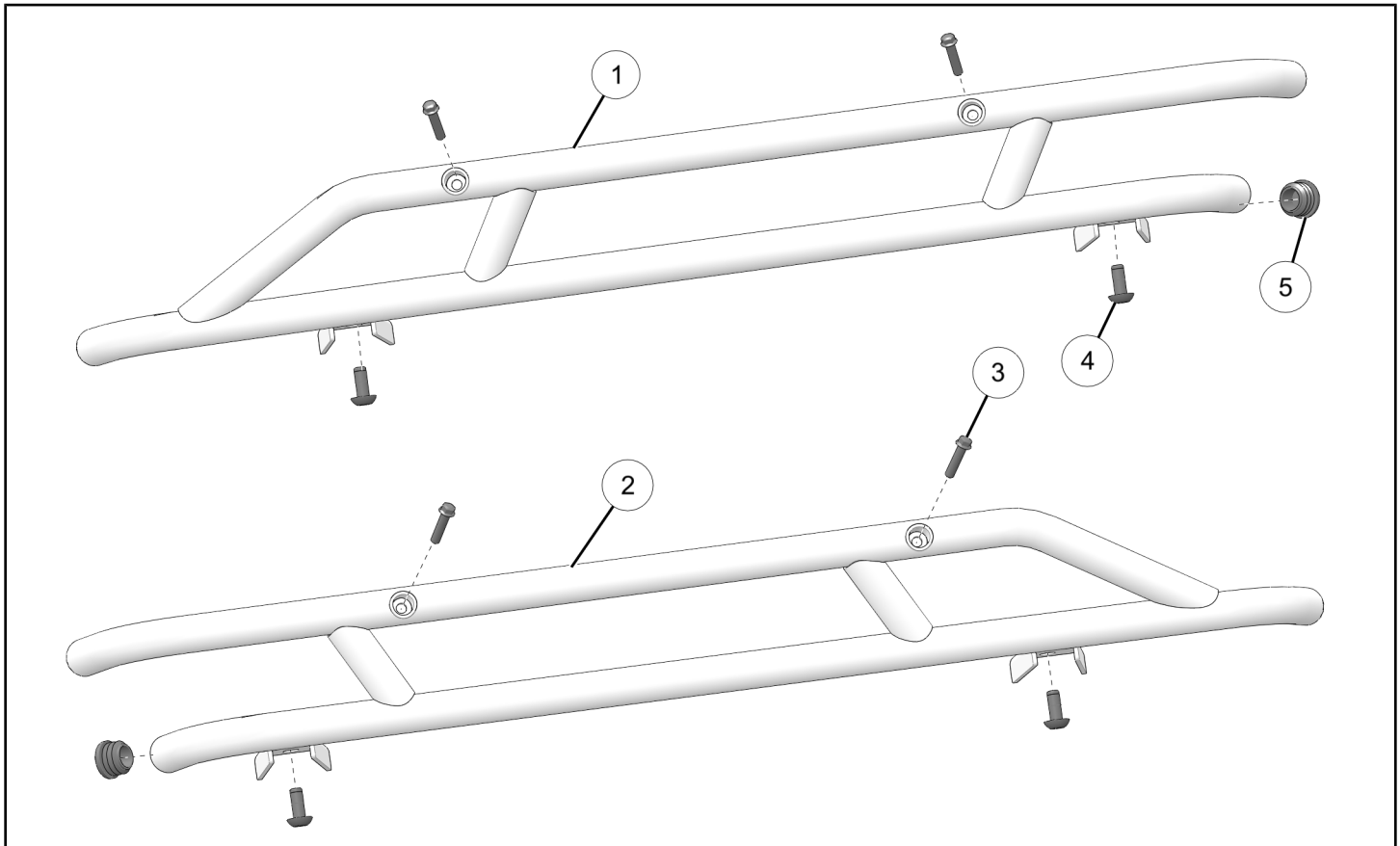
BEFORE YOU BEGIN

Read these instructions and check to be sure all parts and tools are accounted for. Please retain these installation instructions for future reference and parts ordering information.

APPLICATION

Verify accessory fitment at www.polaris.com.

KIT CONTENTS



REF	QTY	PART DESCRIPTION	P/N AVAILABLE SEPARATELY	AVAILABLE SERVICE KIT
1	1	Rock Slider, Left-Hand	n/a	n/a
2	1	Rock Slider, Right-Hand	n/a	n/a
3	4	Screw – Hex Flange, M6 x 1.0 x 25 mm	7519754	2209006
4	4	Screw – Torx® Truss Head, M8 x 1.25 x 20 mm	7519997	2209006
5	2	Plug – End Cap, 0.88 in Diameter Ribbed	5432831	2209006

TOOLS REQUIRED

- Safety Glasses
- Socket Set, Torx® Bit
- Socket Set, Metric
- Torque Wrench

IMPORTANT

Your Rock Slider is exclusively designed for your vehicle. Please read the installation instructions thoroughly before beginning. Installation is easier if the vehicle is clean and free of debris. For your safety, and to ensure a satisfactory installation, perform all installation steps correctly in the sequence shown.

INSTALLATION INSTRUCTIONS

VEHICLE PREPARATION

GENERAL

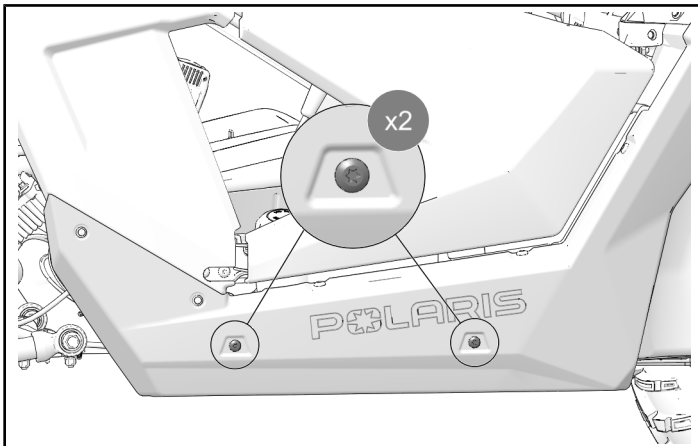
1. Park vehicle on a flat surface.
2. Push engine stop switch to OFF position.
3. Turn key to OFF position and remove key.

ACCESSORY INSTALLATION

NOTICE

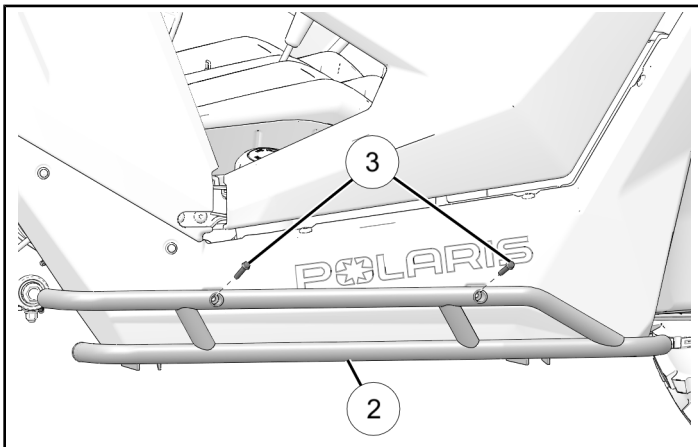
Right side shown, left side similar.

1. Remove and discard two lower panel screws.



2. Hold rock slider ② in place and loosely install top two screws ③.

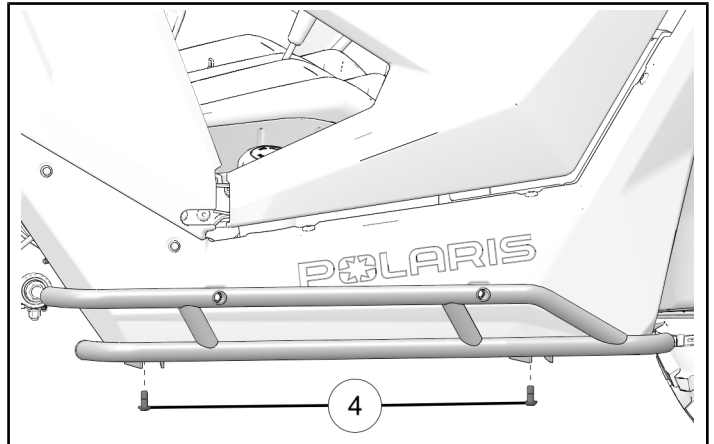
DO NOT torque fasteners at this time.



3. Install bottom two screws ④. Torque to specification.

TORQUE

Bottom Screws ④:
17 ft-lbs (23 N·m)



4. Torque top screws ③ to specification.

TORQUE

Top Screws ③:
84 in-lbs (9.5 N·m)

INSTRUCTION FEEDBACK FORM

A feedback form has been created for the installer to provide any comments, questions or concerns about the installation instructions. The form is viewable on mobile devices by scanning the QR code or by clicking [HERE](#) if viewing on a PC.

