

REAR BUMPER



P/N 2885144

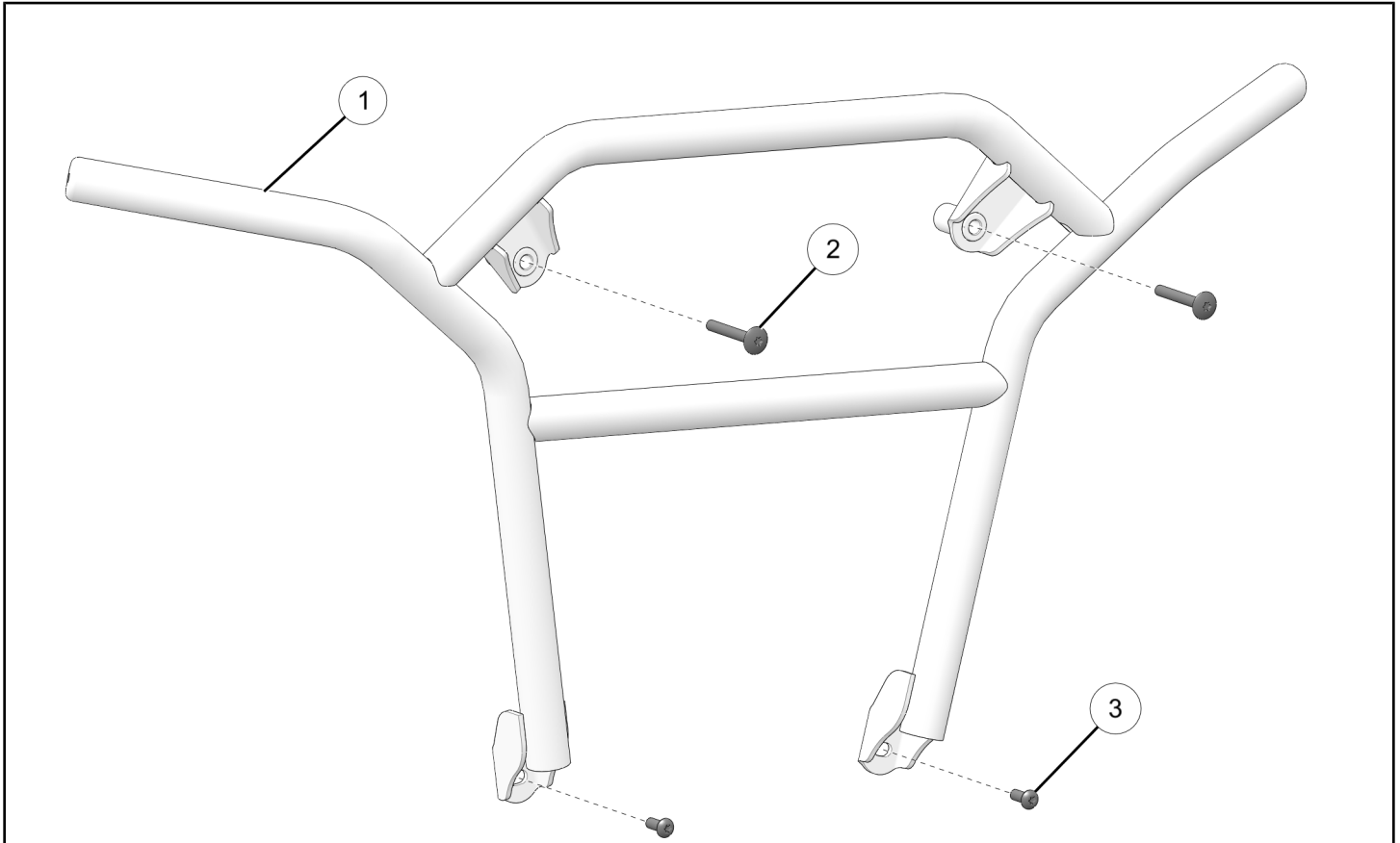
BEFORE YOU BEGIN

Read these instructions and check to be sure all parts and tools are accounted for. Please retain these installation instructions for future reference and parts ordering information.

APPLICATION

Verify accessory fitment at www.polaris.com.

KIT CONTENTS



REF	QTY	PART DESCRIPTION	P/N AVAILABLE SEPARATELY	AVAILABLE SERVICE KIT
1	1	Bumper, Rear	n/a	n/a
2	2	Screw – Torx® Truss Head, M6 x 1.0 x 45 mm	7519281	2208953
3	2	Screw – Torx® Pan Head, M6 x 1.0 x 15 mm	7521010	2208953

TOOLS REQUIRED

- Safety Glasses
- Socket Set, Torx® Bit
- Torque Wrench

IMPORTANT

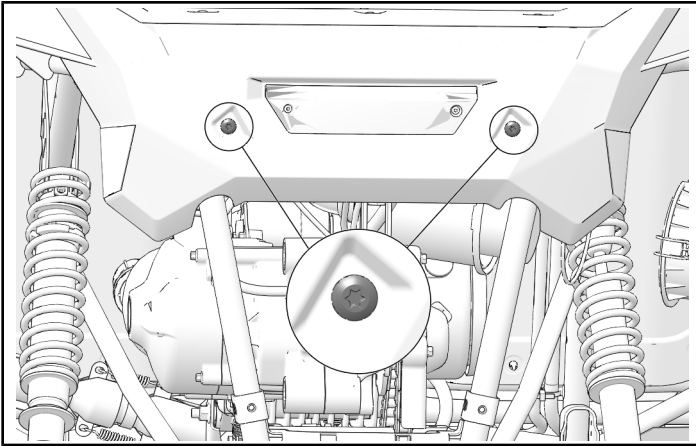
Your Rear Bumper is exclusively designed for your vehicle. Please read the installation instructions thoroughly before beginning. Installation is easier if the vehicle is clean and free of debris. For your safety, and to ensure a satisfactory installation, perform all installation steps correctly in the sequence shown.

INSTALLATION INSTRUCTIONS

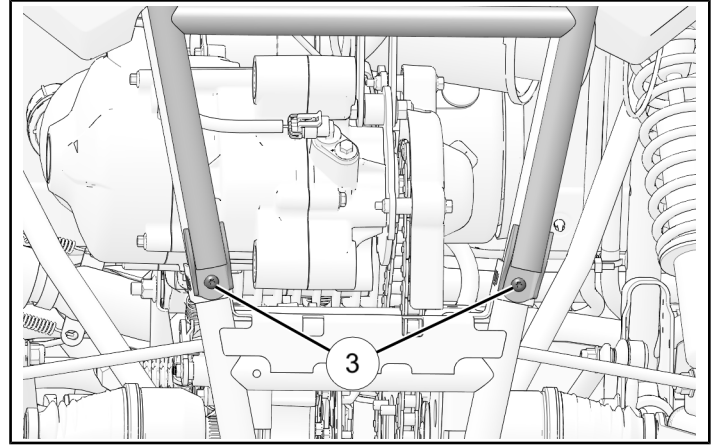
VEHICLE PREPARATION

GENERAL

1. Park vehicle on a flat surface.
2. Push engine stop switch to OFF position.
3. Turn key to OFF position and remove key.
4. Remove and discard two screws from rear panel.



2. Install two lower screws (3).



3. Torque all screws to specification.

TORQUE

Upper and Lower Screws (2) (3):
84 in-lbs (9.5 N·m)

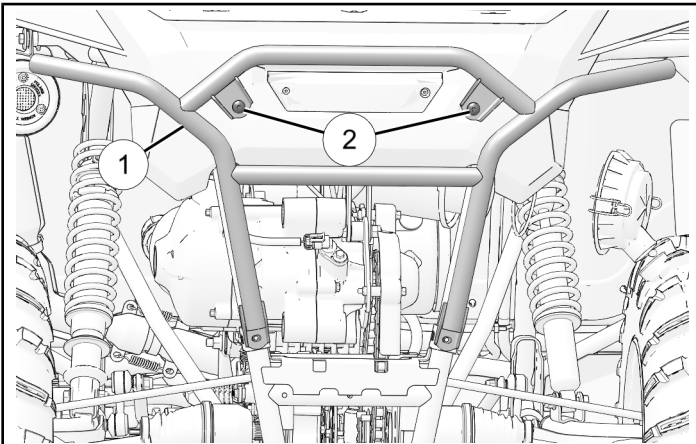
ACCESSORY INSTALLATION

1. Hold rear bumper (1) in place and loosely install two upper screws (2).

TIP

A second person to hold bumper in place will make installation easier.

DO NOT torque fasteners at this time.



INSTRUCTION FEEDBACK FORM

A feedback form has been created for the installer to provide any comments, questions or concerns about the installation instructions. The form is viewable on mobile devices by scanning the QR code or by clicking [HERE](#) if viewing on a PC.

