

# 30 QT COOLER MOUNT KIT



P/N 2889200

## BEFORE YOU BEGIN

Read these instructions and check to be sure all parts and tools are accounted for. Please retain these installation instructions for future reference and parts ordering information.

## APPLICATION

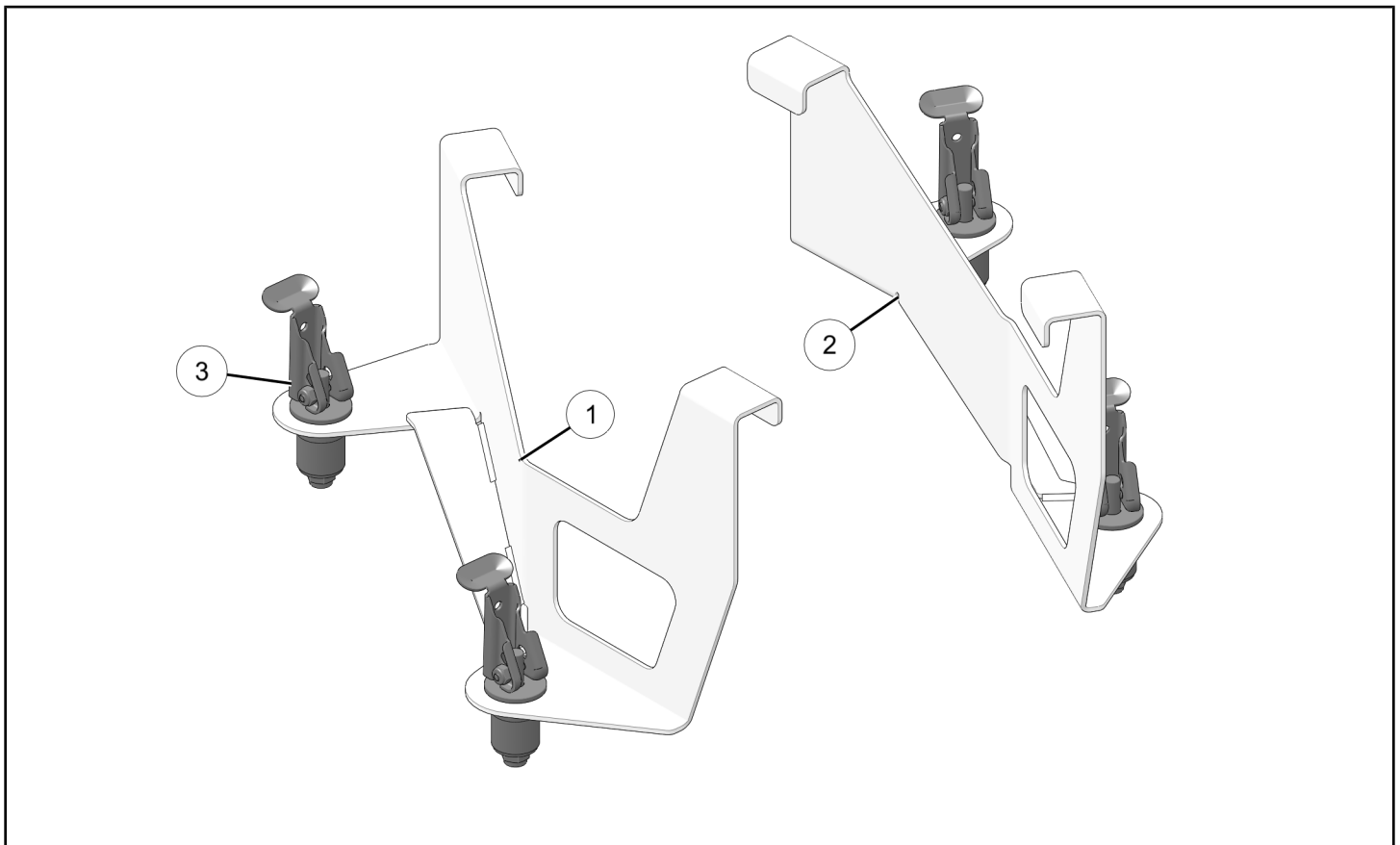
Verify accessory fitment at [www.polaris.com](http://www.polaris.com).

## REQUIRED SOLD SEPARATELY

Only parts for installation of the 30 qt Cooler Mount Kit are included. For complete installation, the following additional kit is required (sold separately):

- *Polaris Northstar® 30 qt Cooler*, P/N 2883424; 2881315

## KIT CONTENTS



REF	QTY	PART DESCRIPTION	P/N AVAILABLE SEPARATELY
1	1	Bracket-Cooler Mount, Left-Hand	n/a
2	1	Bracket-Cooler Mount, Right-Hand	n/a
3	4	Kit-Lock & Ride® Anchor	2876420
3.1	4	- Bushing, Rubber, Lock & Ride® Anchor	5413598

REF	QTY	PART DESCRIPTION	P/N AVAILABLE SEPARATELY
3.2	4	- Washer, Plastic, Lock & Ride® Anchor	5437777
3.3	4	- Screw–Pan Head, #8–32 x 3/4 in	7511875
3.4	4	- Nut–Nylon Locking	7547004
3.5	4	- Nut–Nylon Locking, 5/16–24	7547217

## TOOLS REQUIRED

- Wrench Set, SAE

## IMPORTANT

Your 30 qt Cooler Mount Kit is exclusively designed for your vehicle. Please read the installation instructions thoroughly before beginning. Installation is easier if the vehicle is clean and free of debris. For your safety, and to ensure a satisfactory installation, perform all installation steps correctly in the sequence shown.

## INSTALLATION INSTRUCTIONS

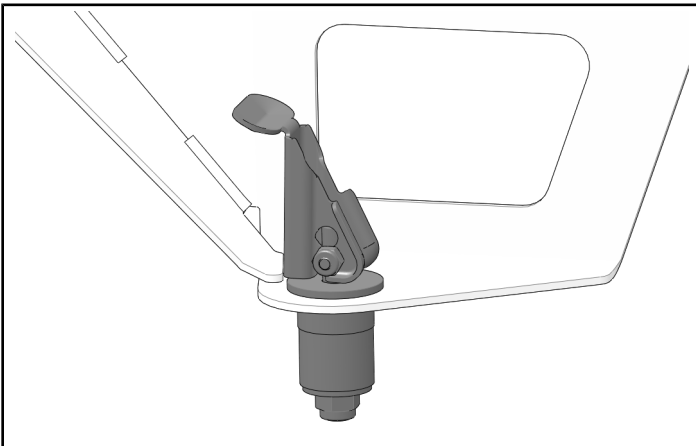
### VEHICLE PREPARATION

#### GENERAL

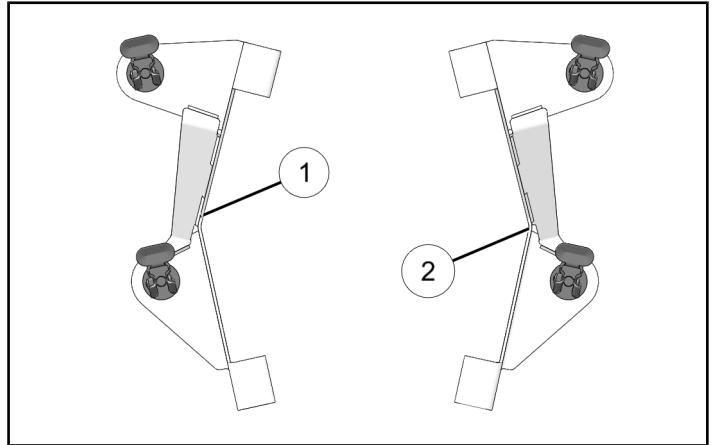
1. Shift vehicle transmission into PARK.
2. Turn key to OFF position and remove from vehicle.

### ACCESSORY INSTALLATION

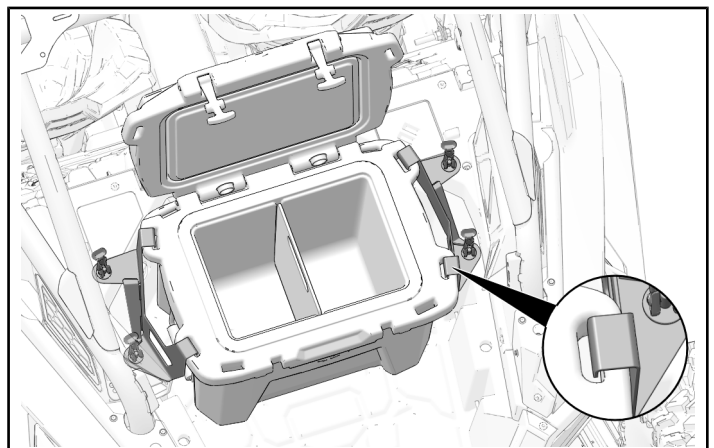
1. Assemble Lock & Ride® anchors onto brackets, as shown. Refer to Lock & Ride® instructions for disassembly/ reassembly procedures.



2. Identify left ① and right ② cooler mount brackets.



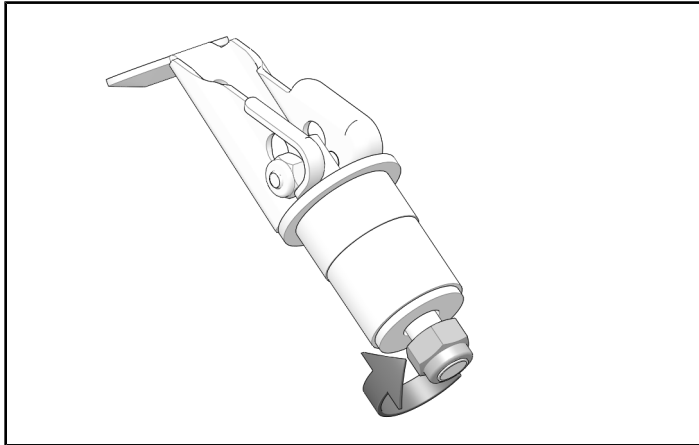
3. Put cooler (sold separately) in cargo box and open lid. Align cooler mount bracket with cargo box and cooler, as shown.



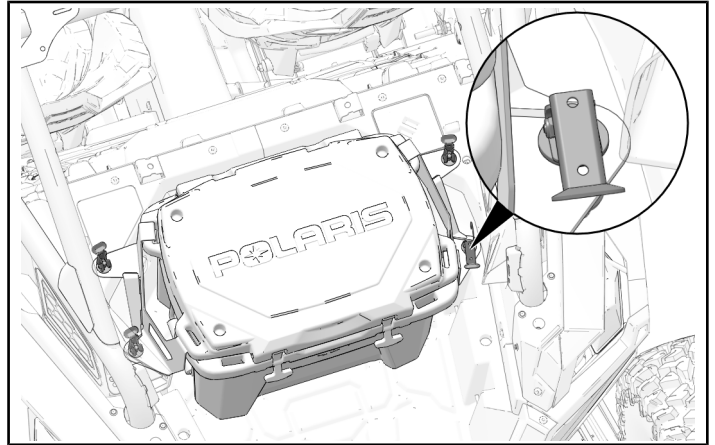
4. Lock & Ride® assemblies may need adjustment. Tighten or loosen bottom nut depending on fitment.

**NOTICE**

Brackets hidden for clarity.



5. Close each Lock & Ride® anchor latch to install cooler mount.



**INSTRUCTION FEEDBACK FORM**

A feedback form has been created for the installer to provide any comments, questions or concerns about the installation instructions. The form is viewable on mobile devices by scanning the QR code or by clicking [HERE](#) if viewing on a PC.

