

# FRONT CAMERA KIT



P/N 2889169

## BEFORE YOU BEGIN

Read these instructions and check to be sure all parts and tools are accounted for. Please retain these installation instructions for future reference and parts ordering information.

## APPLICATION

Verify accessory fitment at [www.polaris.com](http://www.polaris.com).

## REQUIRED SOLD SEPARATELY

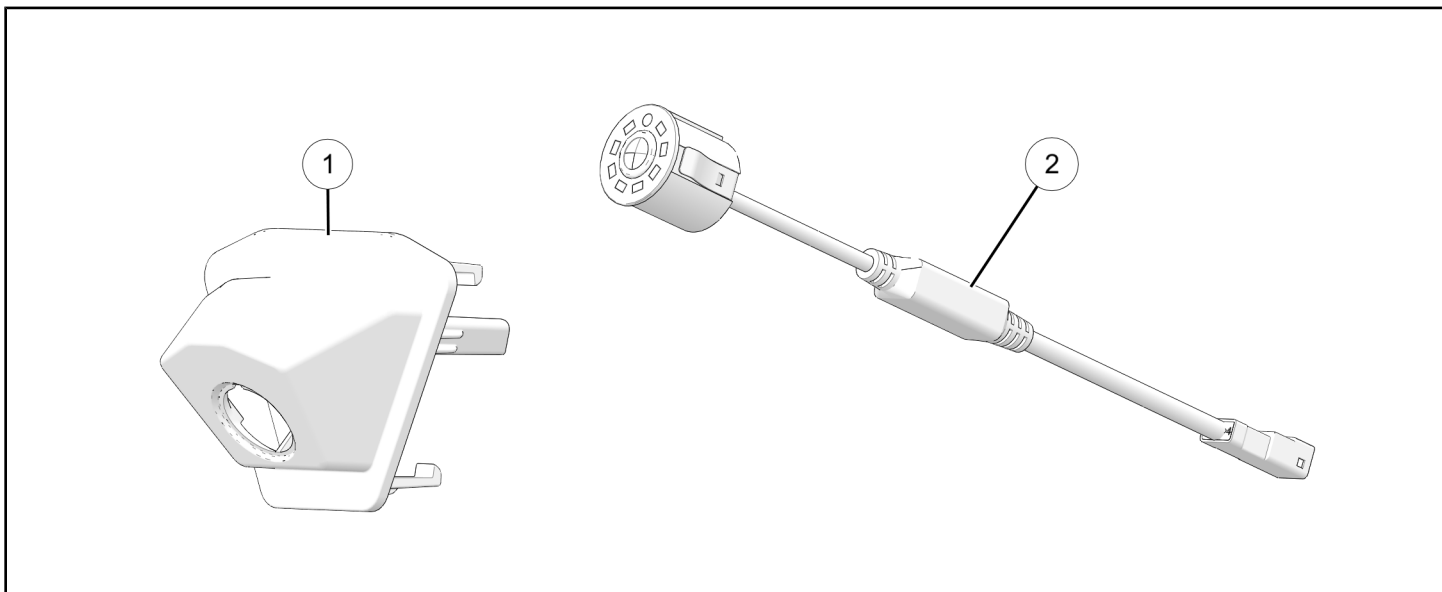
Only parts for installation of the Front Camera Kit are included. Prior installation of one of the following additional kits are also required (sold separately):

- *Ride Command*® Audio (factory equipped without front camera)

## KIT CONTENTS

### NOTICE

XXX = Polaris® color code (For example: 070 = Black)



REF	QTY	PART DESCRIPTION	P/N AVAILABLE SEPARATELY
1	1	Mount-Front Camera	5458278-XXX
2	1	Camera-Front	4019855

## TOOLS REQUIRED

None

## IMPORTANT

Your Front Camera Kit is exclusively designed for your vehicle. Please read the installation instructions thoroughly before beginning. Installation is easier if the vehicle is clean and free of debris. For your safety, and to ensure a satisfactory installation, perform all installation steps correctly in the sequence shown.

# INSTALLATION INSTRUCTIONS

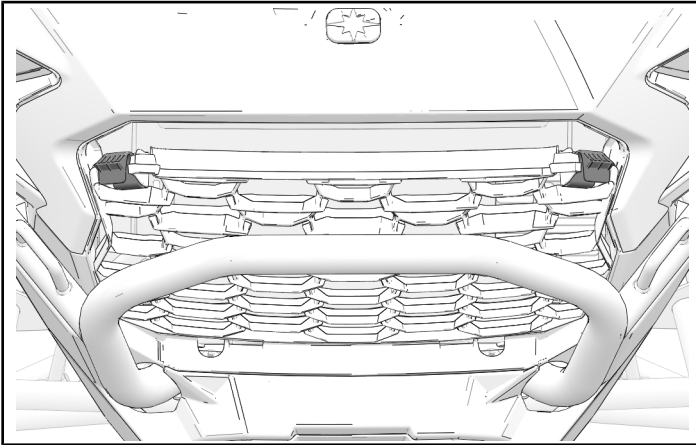
## VEHICLE PREPARATION

### GENERAL

1. Park vehicle on a flat surface.
2. Shift vehicle into PARK.
3. Turn key to OFF position and remove key.

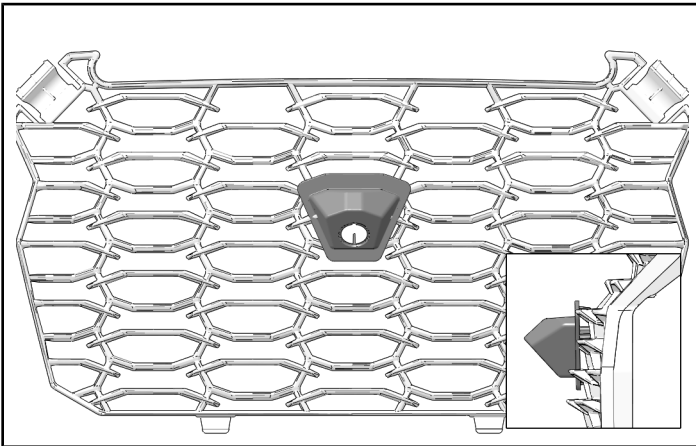
### GRILLE REMOVAL

1. Push two tabs down to remove grille.



## ACCESSORY INSTALLATION

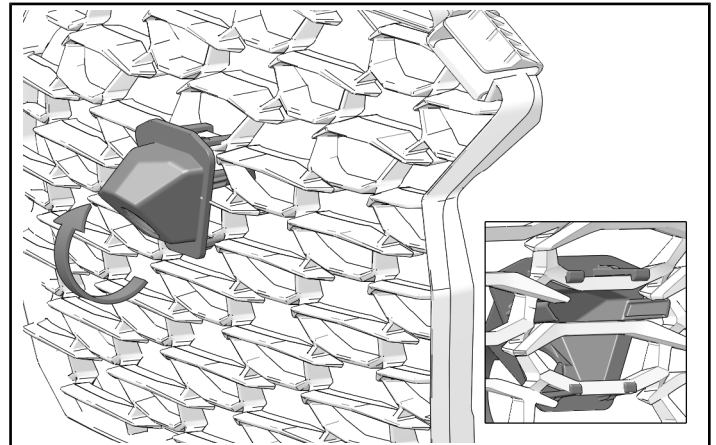
1. Identify installation location.



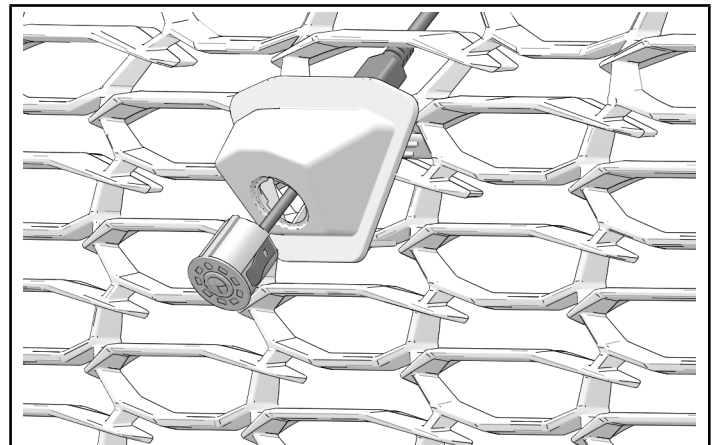
2. Install camera mount on grille, as shown.

### IMPORTANT

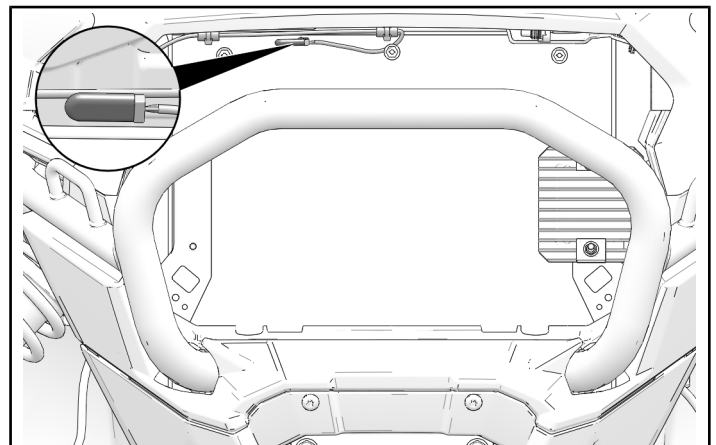
Make sure bumper will not obstruct camera view.



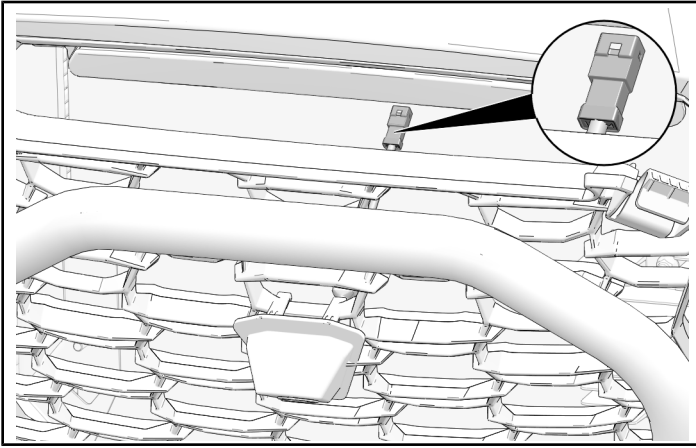
3. Put front camera into mount and push until two side clips snap into place.



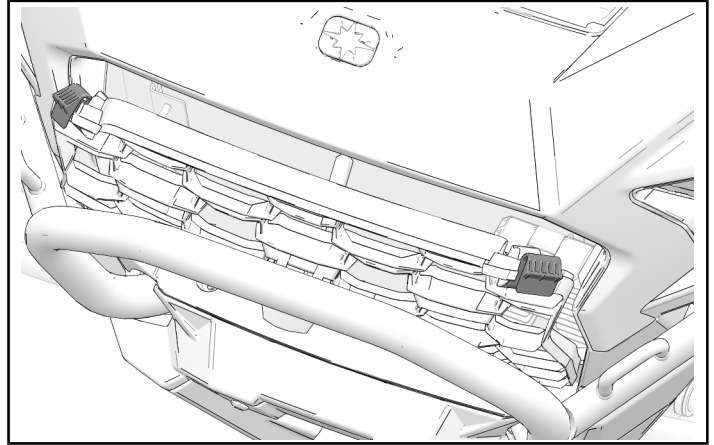
4. Find front camera connector on underside of radiator shroud. Remove cap from connector.



5. Put grille against bumper and install front camera to electrical harness.



6. Put bottom of grille in first and push top of grille in until two tabs engage upper front fascia.



## OPERATION

Refer to user manual provided with Ride Command® display for operating procedures.

## INSTRUCTION FEEDBACK FORM

A feedback form has been created for the installer to provide any comments, questions or concerns about the installation instructions. The form is viewable on mobile devices by scanning the QR code or by clicking [HERE](#) if viewing on a PC.

