

WINCH KIT



P/N 2885126; 2885127

BEFORE YOU BEGIN

Read these instructions and check to be sure all parts and tools are accounted for. Please retain these installation instructions for future reference and parts ordering information.

APPLICATION

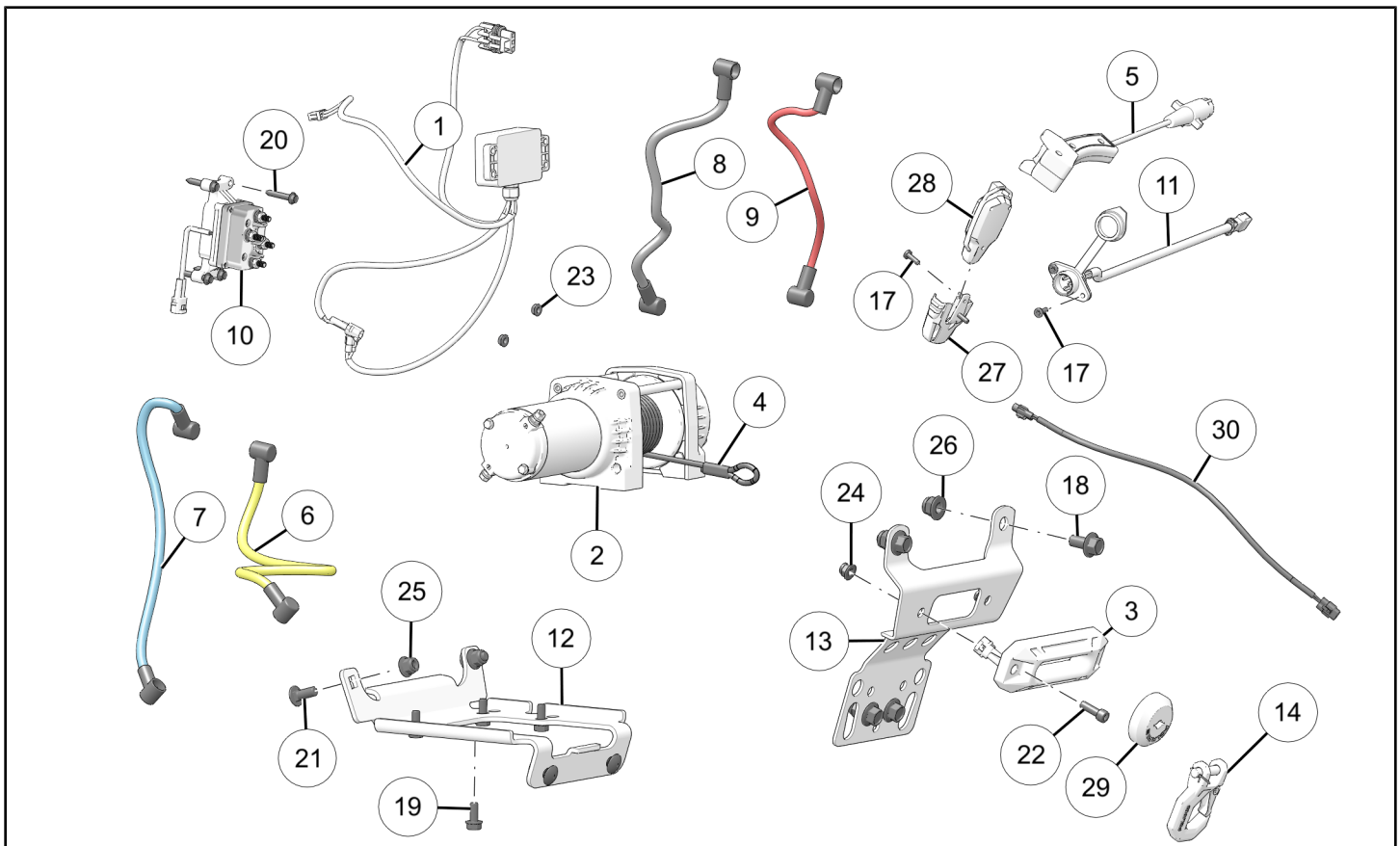
Verify accessory fitment at www.polaris.com.

ACCESSORY WEIGHT

Accessories, passengers, and other factors may negatively affect ride performance. Refer to your vehicle's owner's manual for maximum weight capacity and suspension adjustment procedures.

KIT CONTENTS

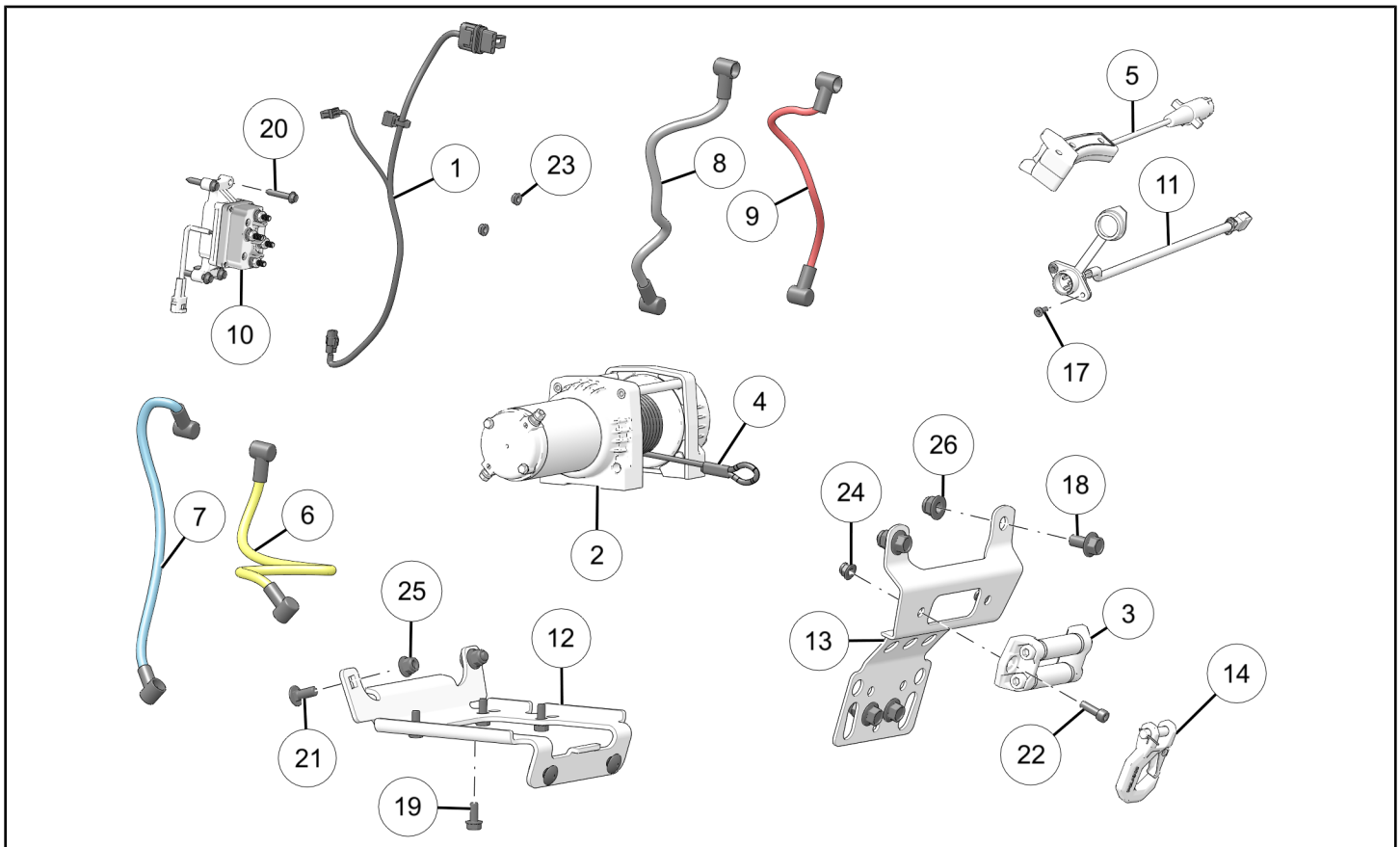
4500 LB WINCH P/N 2885126



REF	QTY	PART DESCRIPTION	P/N AVAILABLE SEPARATELY	AVAILABLE SERVICE KIT
1	1	Assembly–Harness, Receiver/ Auto-Stop, Polaris Pulse® Contactor	2415240	n/a
2	1	Winch–4500 lb	2206382	n/a
3	1	Assembly–Fairlead, Auto-Stop	2637781	n/a
4	1	Cable–Winch, Steel	2878890	n/a

REF	QTY	PART DESCRIPTION	P/N AVAILABLE SEPARATELY	AVAILABLE SERVICE KIT
5	1	Remote–Switch, Winch	4013466	n/a
6	1	Cable–Winch, Yellow, 480 mm	4013468-480	n/a
7	1	Cable–Winch, Blue, 400 mm	4013469-400	n/a
8	1	Cable–Power, Winch, Black	4013470-375	n/a
9	1	Cable–Power, Winch, Red 375 mm	4013471-375	n/a
10	1	Contactor–Winch	4015095	n/a
11	1	Socket–Winch, Remote	4017102	n/a
12	1	Bracket–Winch Mount	5267962	n/a
13	1	Bracket–Fairlead Mount	5258106	n/a
14	1	Hook–Latch, Winch	5910705	n/a
15	10	Cable Ties	7080492	n/a
16	1	Decal–Winch	7185032	n/a
17	4	Screw–Torx® Pan Head, Hi/Lo #10 x 5/8 in	n/a	2208883
18	4	Screw–Hex Flange, M12 x 1.75 x 25 mm	n/a	2208883
19	4	Screw–Hex Flange, M8 x 1.25 x 20 mm	n/a	2208883
20	4	Screw–Hex Flange, Hi/Lo, M6 x 35 mm	n/a	2208883
21	4	Screw–Carriage Bolt, M10 x 1.5 x 25 mm	n/a	2208883
22	2	Screw–Socket Head, M8 x 1.25 x 35 mm	n/a	2208883
23	2	Nut–Hex Flange, Serrated, M6	n/a	2208883
24	2	Nut, Hex Flange, Nylon Locking, M8 x 1.25 mm	n/a	2208883
25	4	Nut, Hex Flange, Nylon Locking, M10 x 1.5 mm	n/a	2208883
26	4	Nut, Hex Flange, Nylon Locking, M12 x 1.75 mm	n/a	2208883
27	1	Holder–Remote, Wireless	5454269	n/a
28	1	Remote–Winch, Wireless	4017125	n/a
29	1	Stop–Magnet	5415787	n/a
30	1	Harness–Auto-Stop, Jumper	4019713	n/a

3500 LB WINCH P/N 2885127



REF	QTY	PART DESCRIPTION	P/N AVAILABLE SEPARATELY	AVAILABLE SERVICE KIT
1	1	Assembly–Harness, Polaris Pulse® Contactor	2415240	n/a
2	1	Winch–3500 lb	2636471	n/a
3	1	Assembly–Fairlead, Roller, Low Profile	2638130	n/a
4	1	Cable–Winch, Steel	2878890	n/a
5	1	Remote–Switch, Winch	4013466	n/a
6	1	Cable–Winch, Yellow, 480 mm	4013468-480	n/a
7	1	Cable–Winch, Blue, 400 mm	4013469-400	n/a
8	1	Cable–Power, Winch, Black	4013470-375	n/a
9	1	Cable–Power, Winch, Red 375 mm	4013471-375	n/a
10	1	Contactor–Winch	4015095	n/a
11	1	Socket–Winch, Remote	4017102	n/a
12	1	Bracket–Winch Mount	5267962	n/a
13	1	Bracket–Fairlead Mount	5257963	n/a
14	1	Hook–Latch, Winch	5910705	n/a
15	10	Cable Ties	7080492	n/a
16	1	Decal–Winch	7181747	n/a
17	2	Screw–Torx® Pan Head, Hi/Lo #10 x 5/8 in	n/a	2208883

REF	QTY	PART DESCRIPTION	P/N AVAILABLE SEPARATELY	AVAILABLE SERVICE KIT
18	4	Screw–Hex Flange, M12 x 1.75 x 25 mm	n/a	2208883
19	4	Screw–Hex Flange, M8 x 1.25 x 20 mm	n/a	2208883
20	4	Screw–Hex Flange, Hi/Lo, M6 x 35 mm	n/a	2208883
21	4	Screw–Carriage Bolt, M10 x 1.5 x 25 mm	n/a	2208883
22	2	Screw–Socket Head, M8 x 1.25 x 35 mm	n/a	2208883
23	2	Nut–Hex Flange, Serrated, M6	n/a	2208883
24	2	Nut, Hex Flange, Nylon Locking, M8 x 1.25 mm	n/a	2208883
25	4	Nut, Hex Flange, Nylon Locking, M10 x 1.5 mm	n/a	2208883
26	4	Nut, Hex Flange, Nylon Locking, M12 x 1.75 mm	n/a	2208883

TOOLS REQUIRED

- Safety Glasses
- Center Punch
- Hex Key Set, Metric
- Pliers, Push Pin Rivet
- Socket Set, Hex Bit, Metric
- Socket Set, Metric
- Socket Set, Torx® Bit
- Torque Wrench

IMPORTANT

Your Winch Kit is exclusively designed for your vehicle. Please read the installation instructions thoroughly before beginning. Installation is easier if the vehicle is clean and free of debris. For your safety, and to ensure a satisfactory installation, perform all installation steps correctly in the sequence shown.

INSTALLATION INSTRUCTIONS

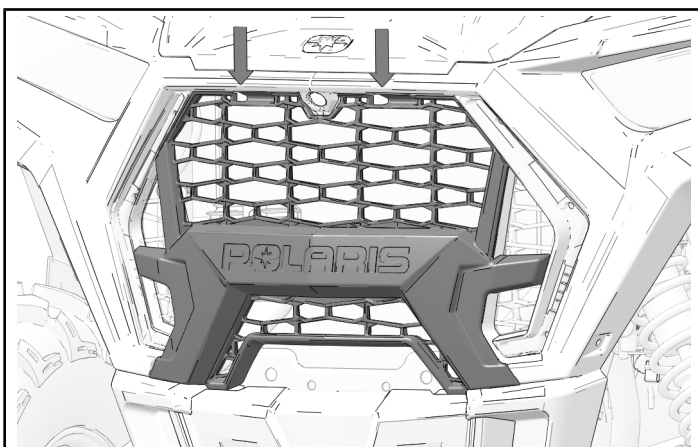
VEHICLE PREPARATION

GENERAL

1. Park vehicle on a flat surface.
2. Shift vehicle into PARK.
3. Turn key to OFF position and remove key.

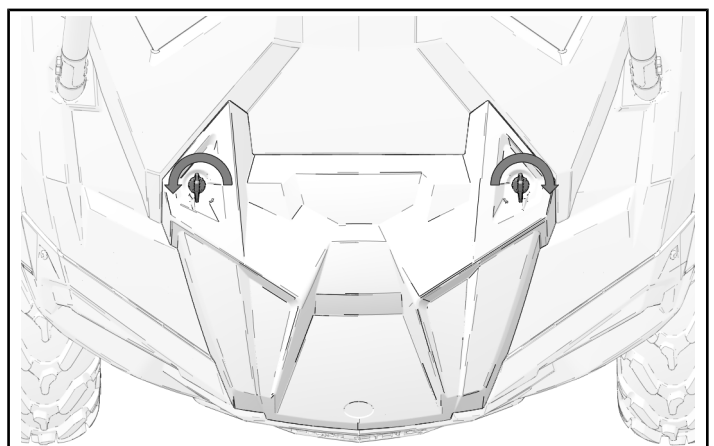
GRILLE REMOVAL

1. Push two tabs down to remove grille from front fascia.

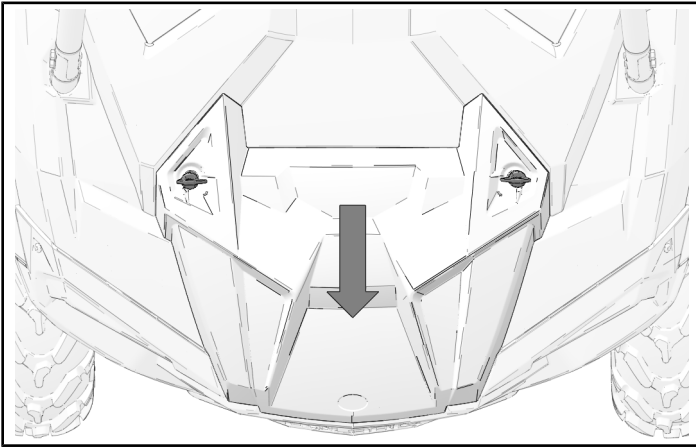


CENTER HOOD PANEL REMOVAL

1. Turn quarter-turn fasteners to unlock hood from vehicle.

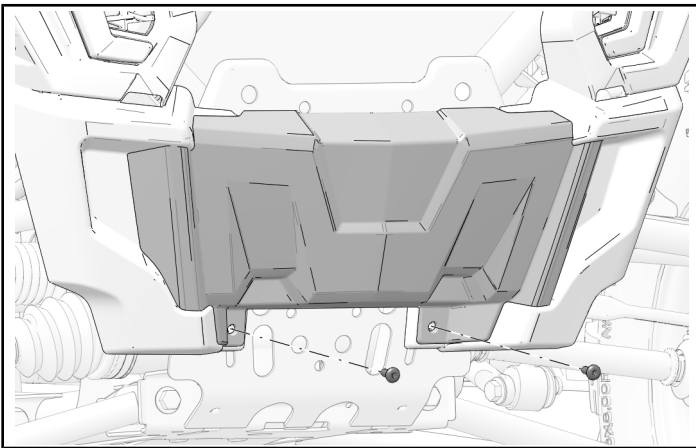


2. Move hood forward to remove from vehicle.



WINCH COVER REMOVAL

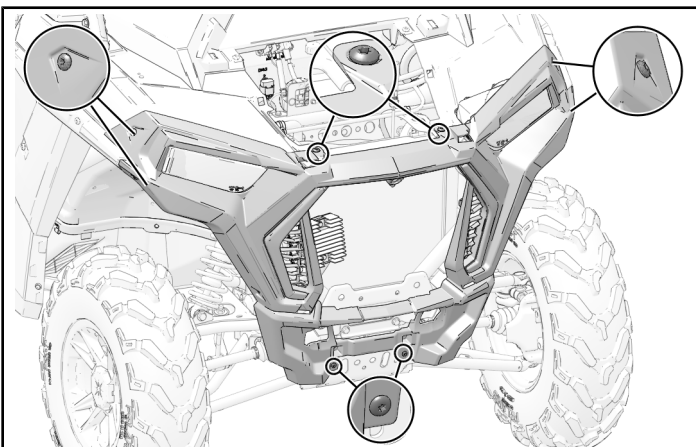
1. Remove two fasteners from winch cover.



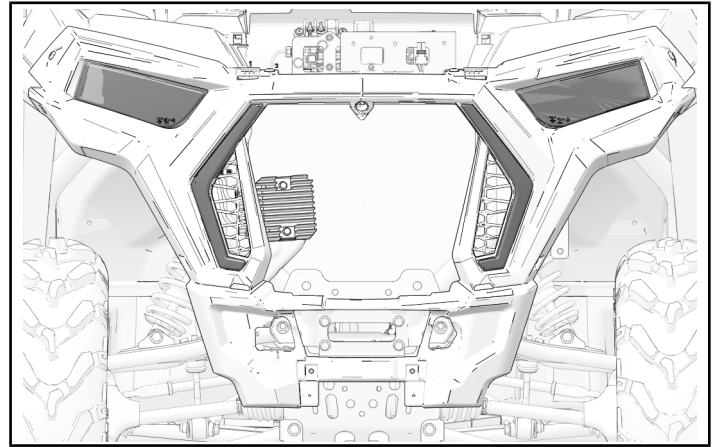
2. Lift cover up to release top tabs and remove from front fascia.

FRONT FASCIA REMOVAL

1. Remove and keep eight front fascia fasteners.



2. Disconnect front headlights and accent lights (if equipped).



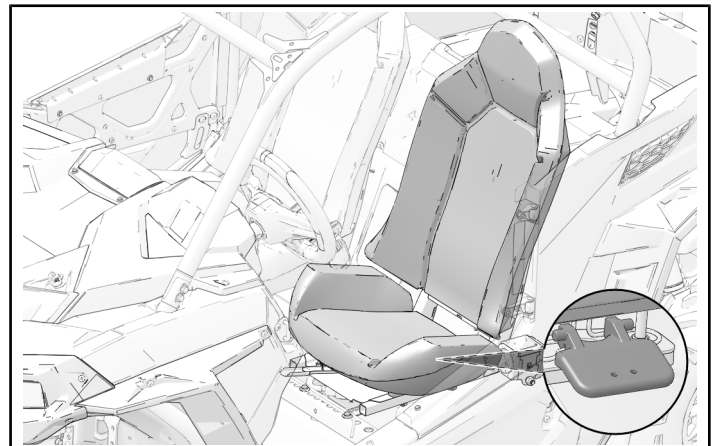
3. Remove front fascia and carefully set aside.

SEAT REMOVAL

NOTICE

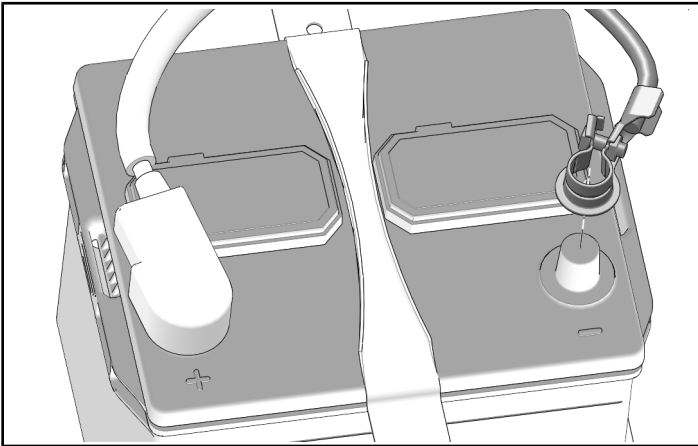
Driver seat shown; passenger seat similar.

1. Reach between seat and backrest. Pull up on lever, located behind seat to disengage seat latch.



BATTERY DISCONNECT

1. Loosen fastener on negative (-) terminal clamp and move away from battery.

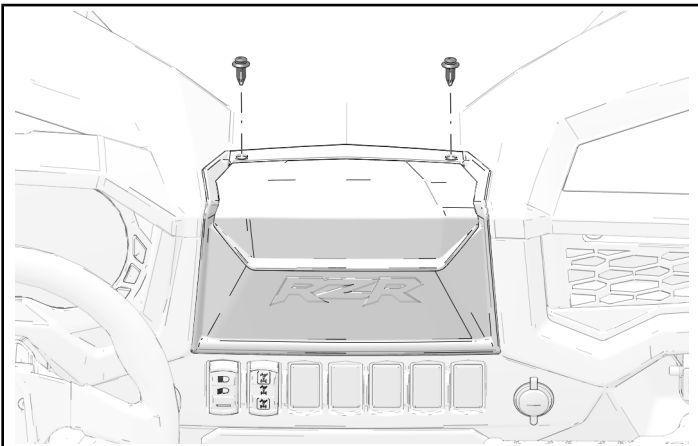


DASHBOARD STORAGE REMOVAL

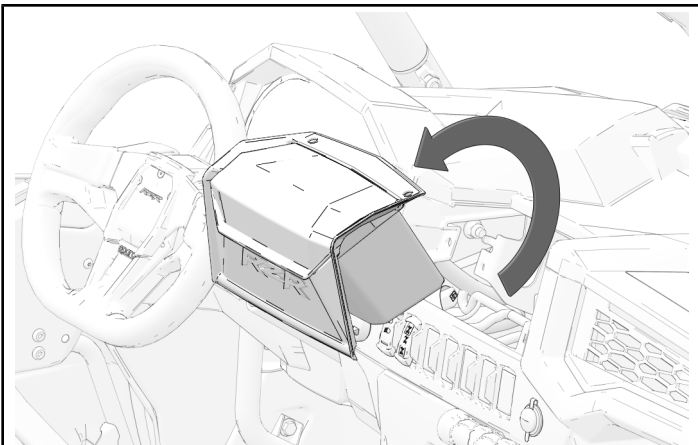
NOTICE

Storage bin shown; audio head unit bezel similar.

1. Remove two push-pin rivets from top of storage compartment.

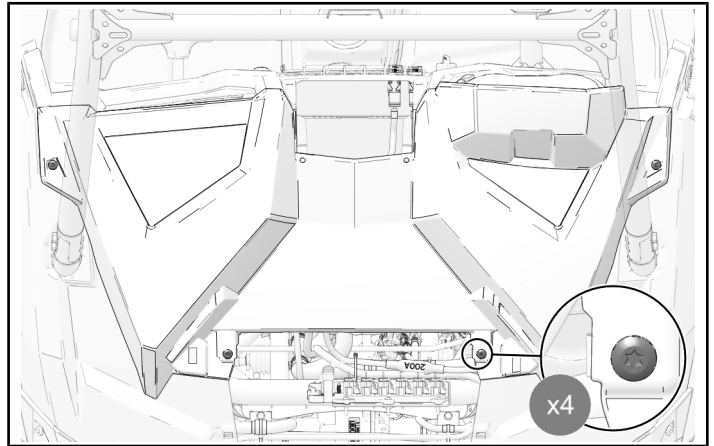


2. Tilt storage compartment rearward to remove from dashboard.

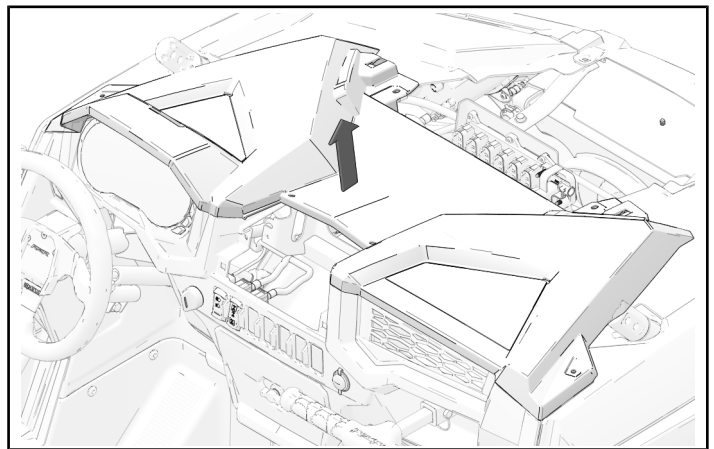


DASHBOARD TOP REMOVAL

1. Remove four dashboard fasteners.

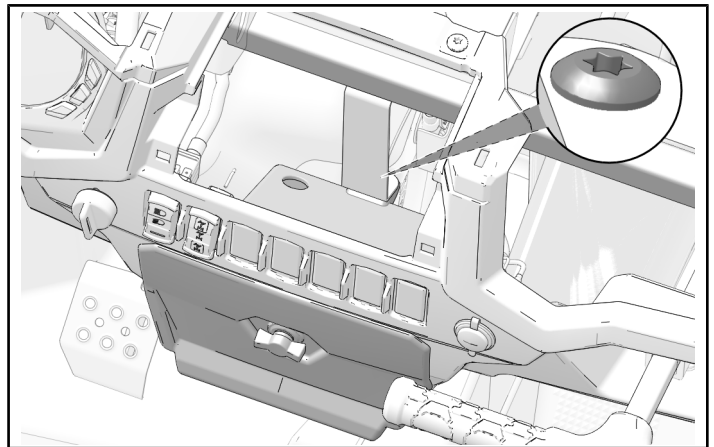


2. Lift dashboard upwards to remove from vehicle.

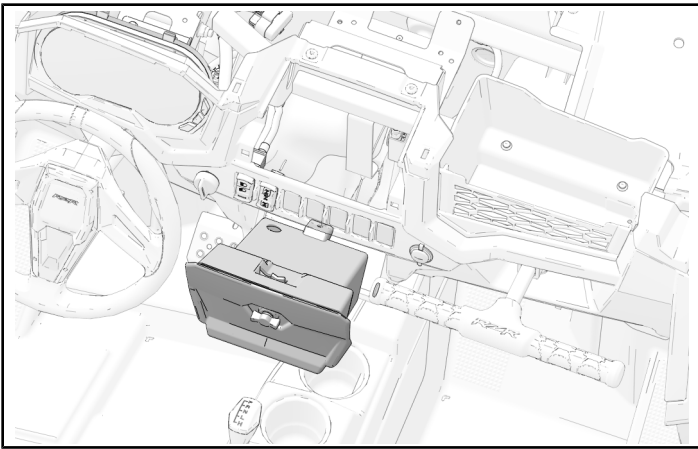


FRONT DASHBOARD STORAGE REMOVAL

1. Remove one fastener holding storage bin to bracket.



2. Remove storage bin from front dashboard.

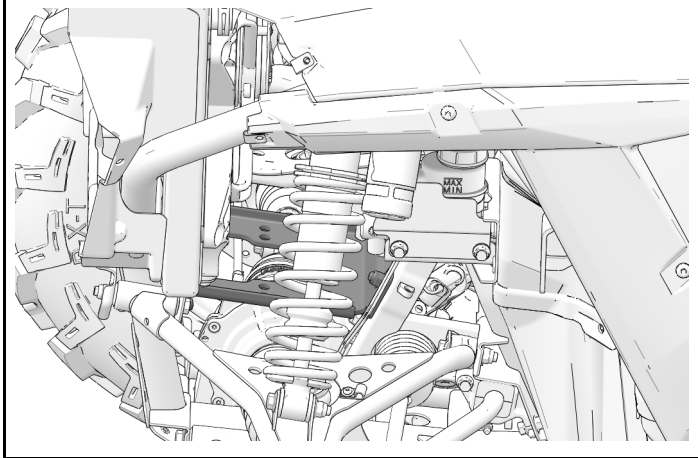


ACCESSORY INSTALLATION

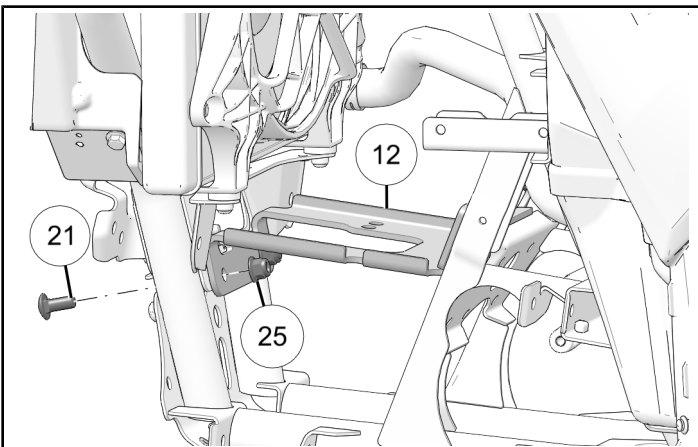
WINCH MOUNT INSTALLATION

TIP

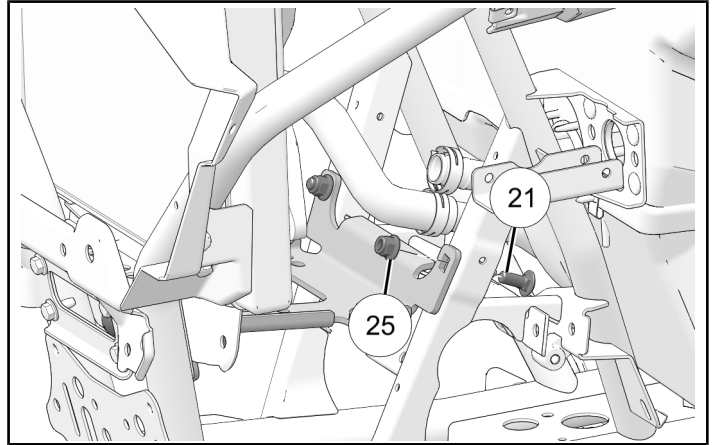
Installed View



1. Install front of winch mount ⑫ with two carriage bolts ⑳ and two nuts ㉕.



2. Install rear of winch mount with two carriage bolts ㉑ and two nuts ㉕.



3. Torque nuts to specification.

TORQUE

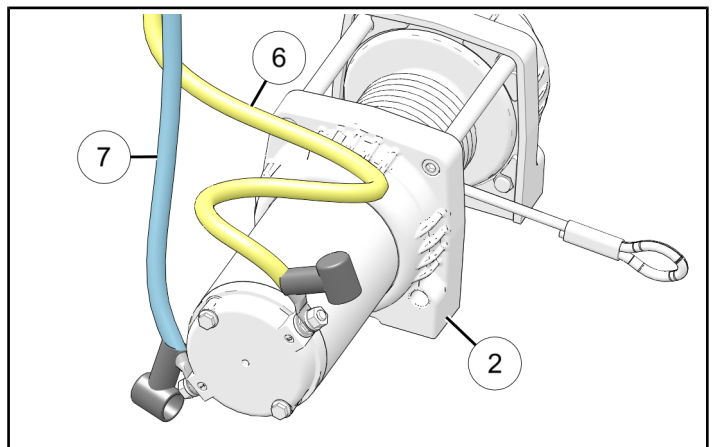
Nuts ㉕:
20 ft-lbs (27 N·m)

WINCH ASSEMBLY INSTALLATION

1. Install yellow ⑥ and blue ⑦ winch cables to winch assembly ②. Use nuts installed on winch. Torque nuts to specification.

TORQUE

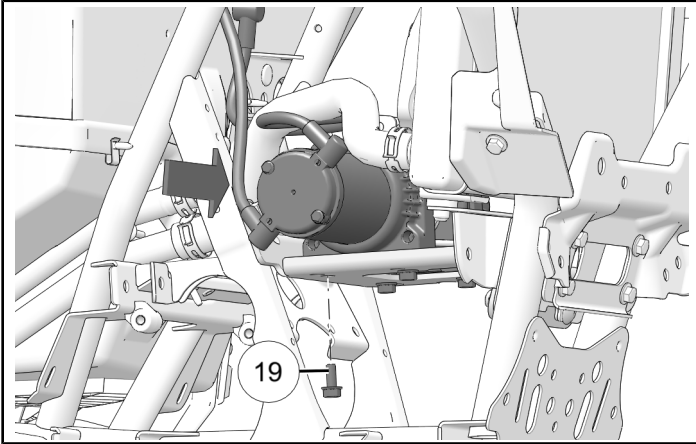
Winch Terminal Nuts:
48 in-lbs (5 N·m)



2. Install winch assembly to winch mount, from passenger side, with four winch mount fasteners ⑱. Torque four fasteners to specification.

TORQUE

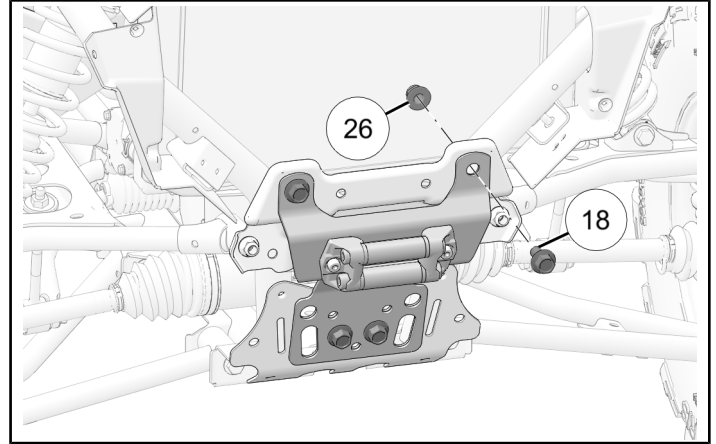
Winch Mount Fasteners ⑱:
20 ft-lbs (27 N·m)



2. Install fairlead mount to vehicle chassis with four fasteners ⑱ and four nuts ⑳. Counter-hold nuts and torque fasteners to specification.

TORQUE

Fairlead Mount Fasteners ⑱:
20 ft-lbs (27 N·m)



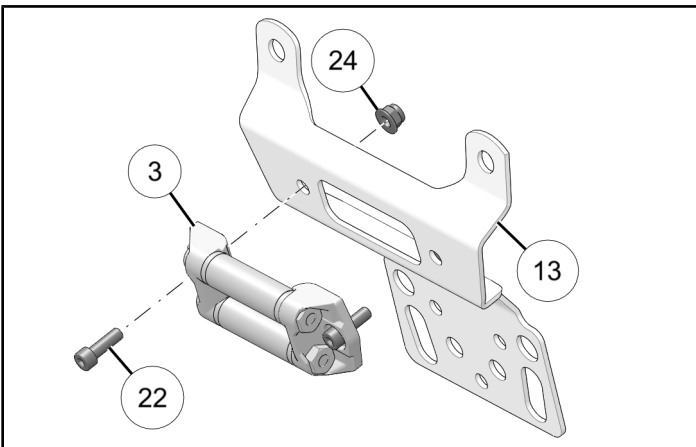
FAIRLEAD INSTALLATION

MANUAL STOP FAIRLEAD

1. Install fairlead ③ to fairlead mount ⑬ with two fasteners ⑳ and two nuts ㉑. Counter-hold nuts and torque fasteners to specification.

TORQUE

Fairlead Fasteners ⑳:
18 ft-lbs (24 N·m)



AUTO-STOP FAIRLEAD

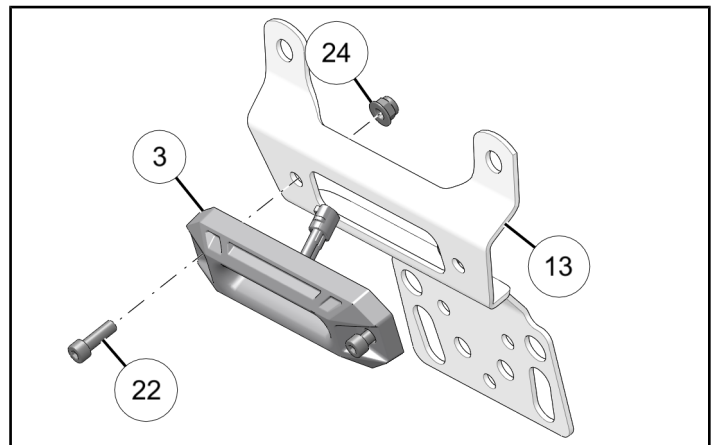
1. Install fairlead ③ to fairlead mount ⑬ with two fasteners ⑳ and two nuts ㉑. Counter-hold nuts and torque fasteners to specification.

IMPORTANT

Put fairlead harness through opening in fairlead mount. Make sure harness is not pinched between fairlead and mount during installation.

TORQUE

Fairlead Fasteners ⑳:
18 ft-lbs (24 N·m)



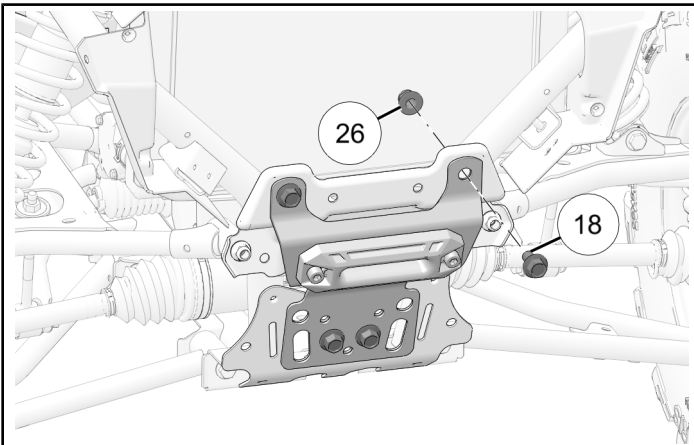
2. Install fairlead mount to vehicle chassis with four fasteners ⑱ and four nuts ㉖. Counter-hold nuts and torque fasteners to specification.

IMPORTANT

Install fairlead harness away from path of winch rope/cable with a cable tie.

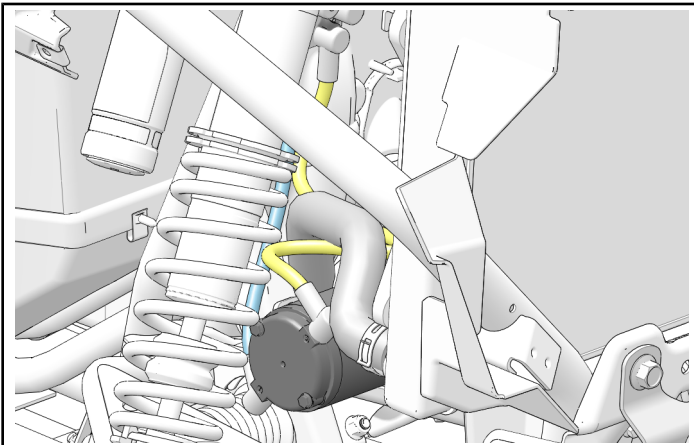
TORQUE

Fairlead Mount Fasteners ⑱:
20 ft-lbs (27 N·m)

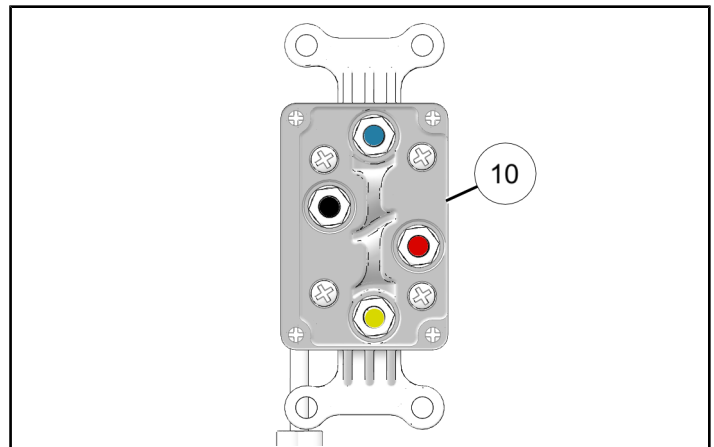


WINCH CONTACTOR INSTALLATION

1. Yellow winch cable must be routed underneath coolant line before proceeding with winch contactor installation.



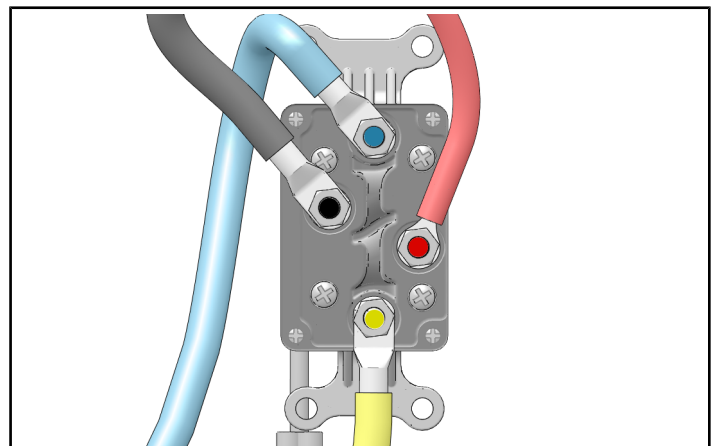
2. Identify colored terminals on winch contactor ⑩.



3. Install corresponding winch cables with nuts, supplied with winch contactor assembly. Torque each nut to specification.

TORQUE

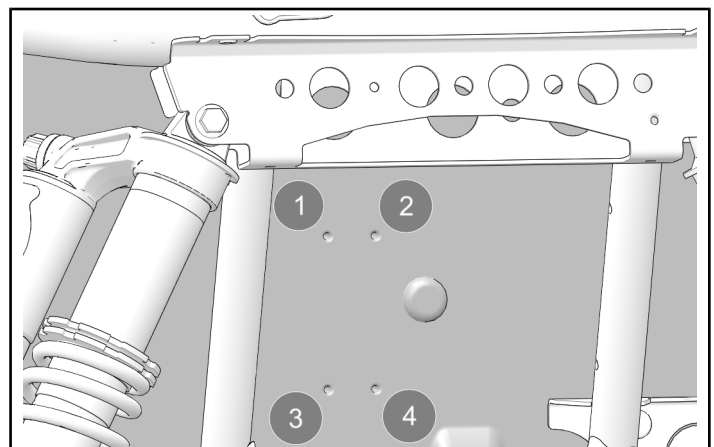
Winch Contactor Nuts:
48 in-lbs (5 N·m)



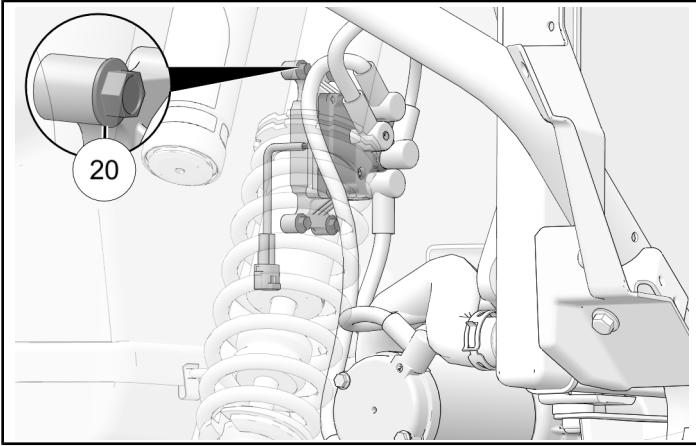
4. Identify four points on firewall.

TIP

View is obstructed by chassis.



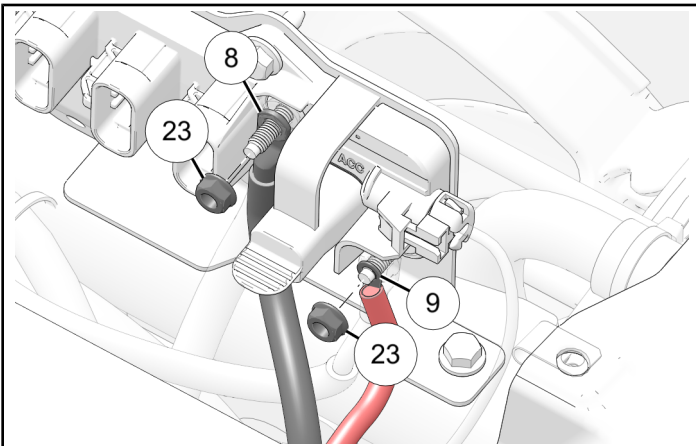
5. Install winch contactor, with installed cables, to firewall with four fasteners ⑳. Torque fasteners until fully seated.



6. Pull winch black ⑧ and red ⑨ power cables up to Polaris Pulse® bar. Install each cable with one nut ㉓. Torque nuts to specification.

TORQUE

Terminal Nuts ㉓:
48 in-lbs (5 N·m)



7. Install winch cables away from all moving parts, using cable ties ⑮ as needed.

WINCH HOOK INSTALLATION

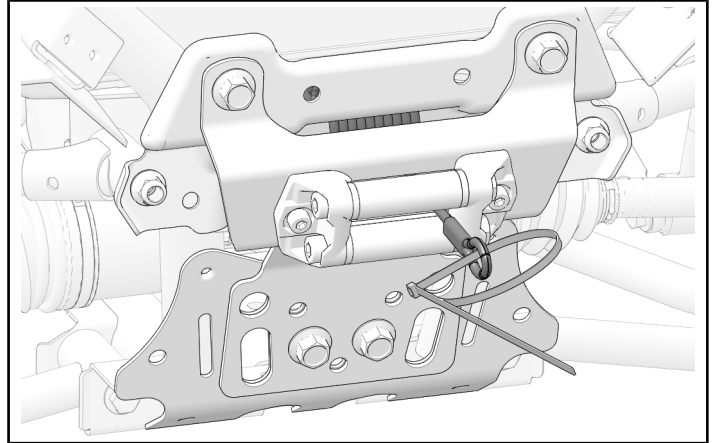
NOTICE

Roller-fairlead shown; auto-stop fairlead similar, except where shown.

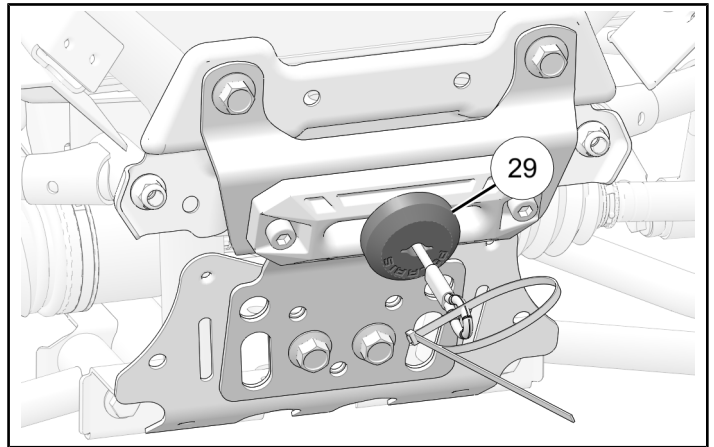
1. Pull winch cable through fairlead.

TIP

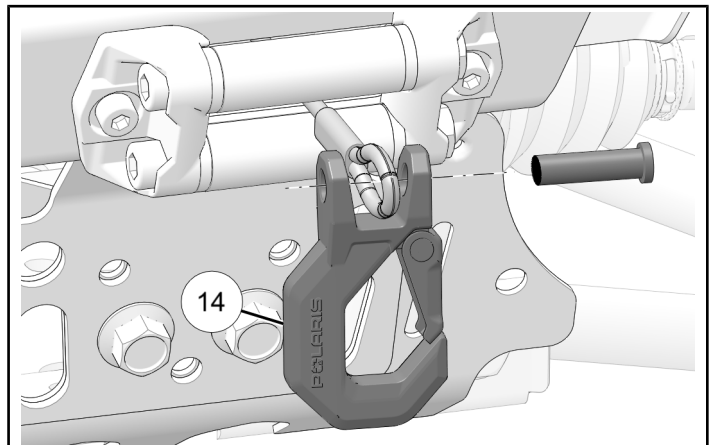
Use cable tie to pull cable eyelet through fairlead.



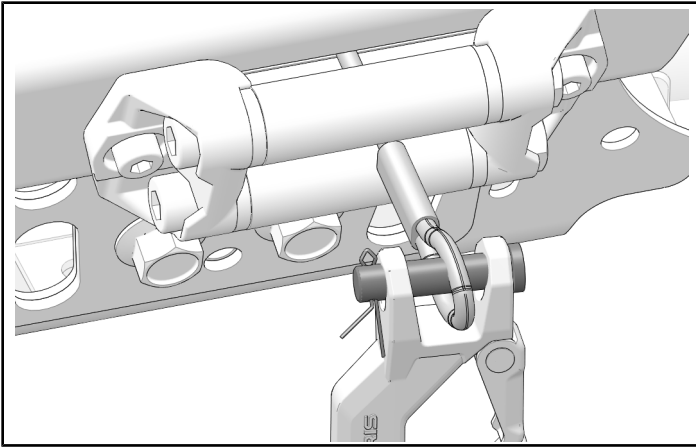
2. Auto-Stop Winches Only:
Pull winch cable through magnet stop ㉑.



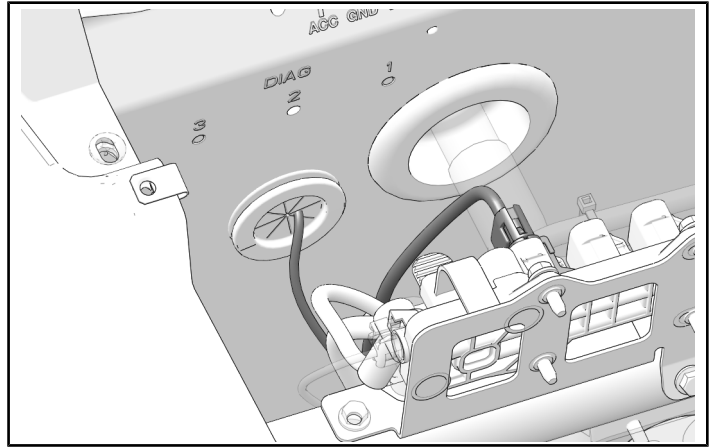
3. Install winch hook ⑭ to winch cable with retaining pin.



4. Install retaining pin to hook with cotter pin.



3. Put remaining connector through firewall grommet.

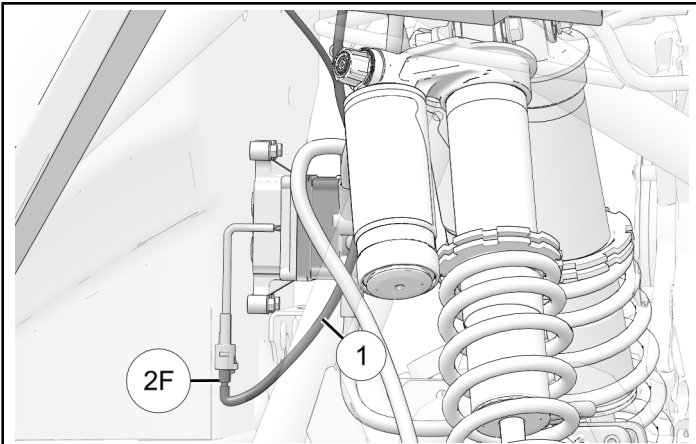


REMOTE HARNESS INSTALLATION

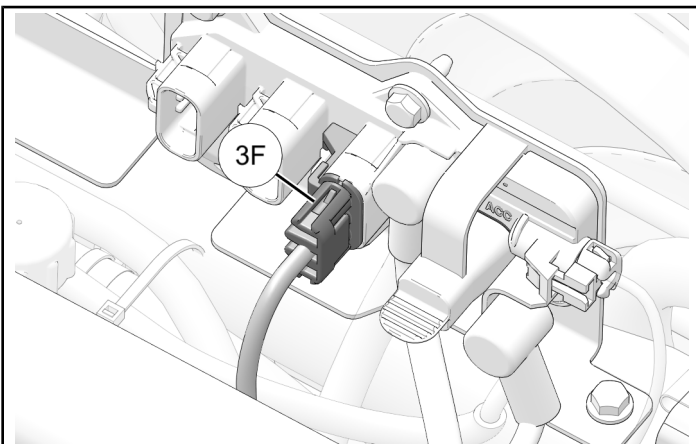
NOTICE

This section applies to both remote harnesses, except where noted.

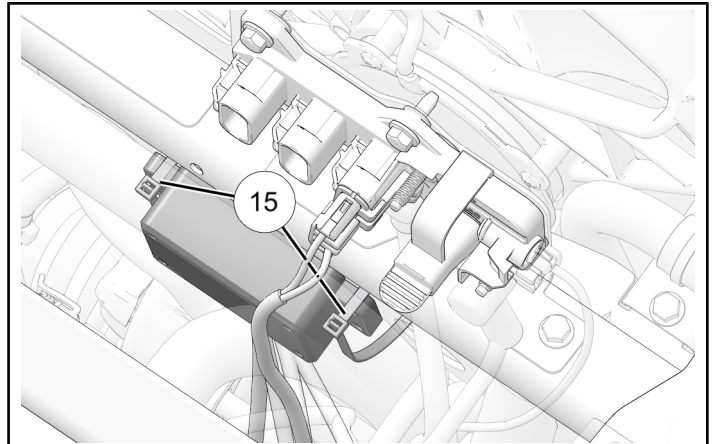
1. Connect remote harness connector **2F** on remote harness ① to winch contactor.



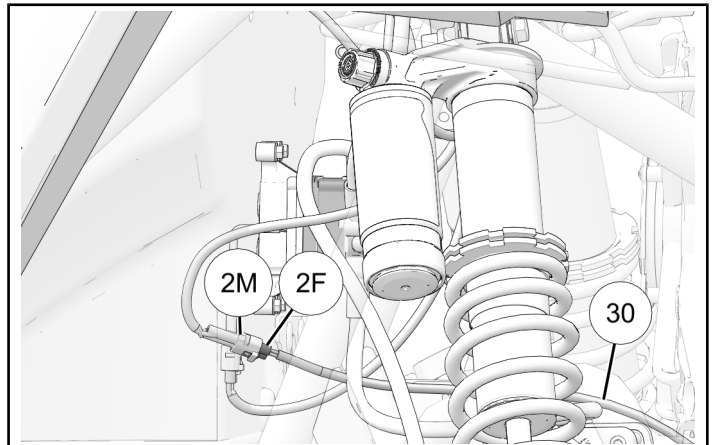
2. Pull remaining two connectors up to Polaris Pulse® bar and power connector **3F**.



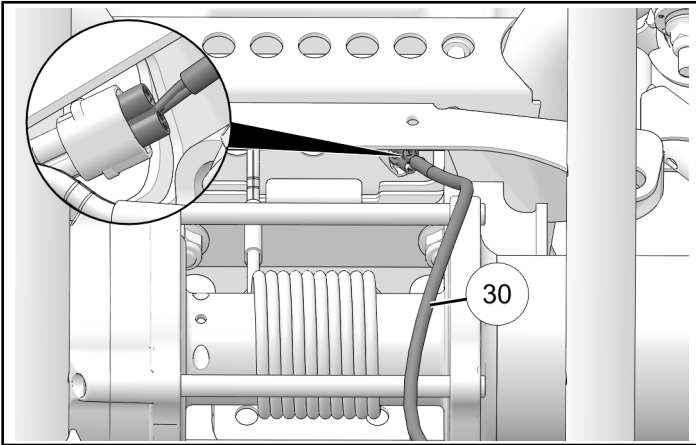
4. Wireless Remote Harness Only:
Install wireless remote box to chassis electrical harness, below Polaris Pulse® bar, with two cable ties ⑮.



5. Wireless Remote Harness Only:
Install auto-stop jumper harness ⑳ to wireless remote harness connector.



6. Wireless Remote Harness Only:
Install auto-stop harness (30) to fairlead connector.
Make sure harness is placed between front suspension, over winch assembly, and clear of all moving parts.



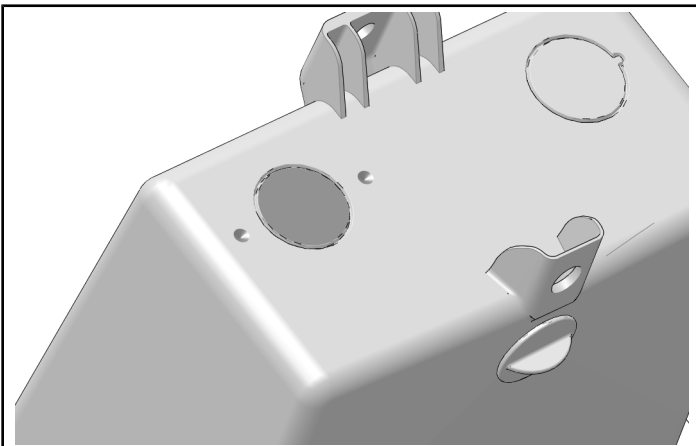
7. Install remote harness away from all moving parts, using cable ties (15) as needed.

REMOTE SOCKET INSTALLATION

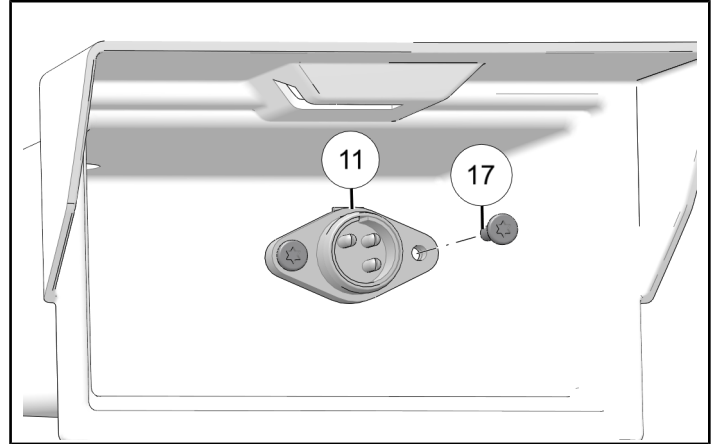
NOTICE

Center console location shown. Other locations may be more suitable depending on vehicle's equipment.

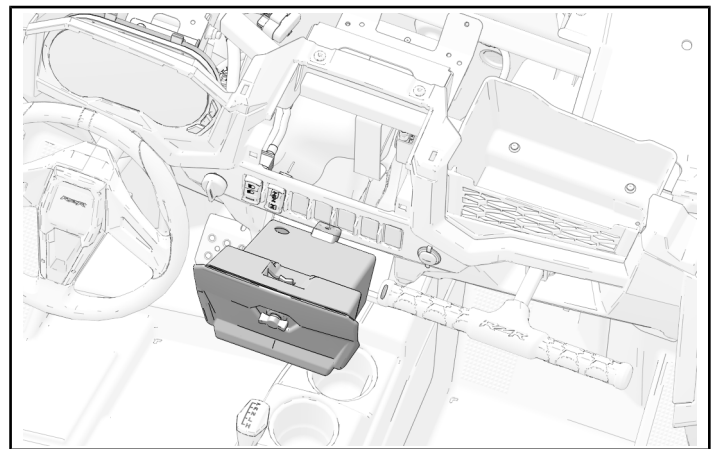
1. Cut designated location in storage bin for remote socket.



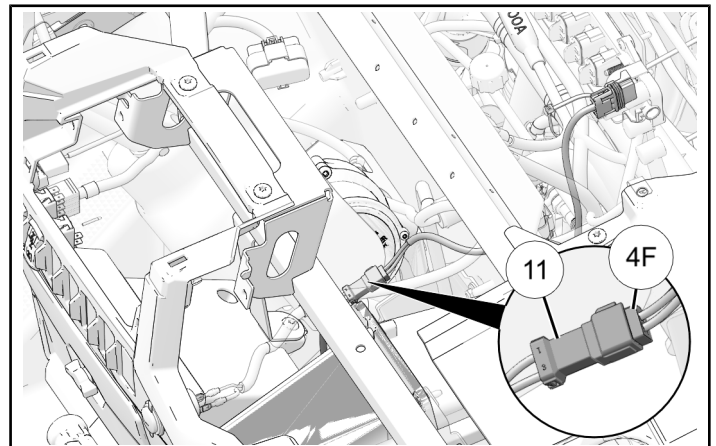
2. Put remote socket (11) through cut-out and install with two fasteners (17). Torque fasteners until fully seated.



3. Put storage bin into front dashboard.



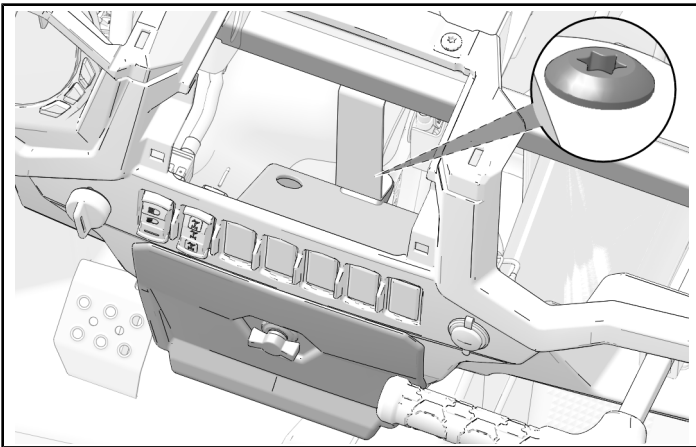
4. Install remote socket connector (11) to winch remote power harness connector 4F.



5. Install storage bin to bracket with one retained fastener. Torque fastener to specification.

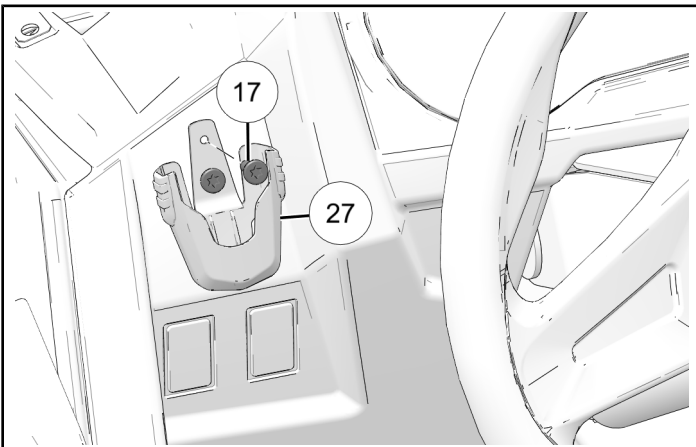
TORQUE

Storage Bin Fastener:
14 ft-lbs (19 N·m)



WIRELESS REMOTE HOLDER INSTALLATION

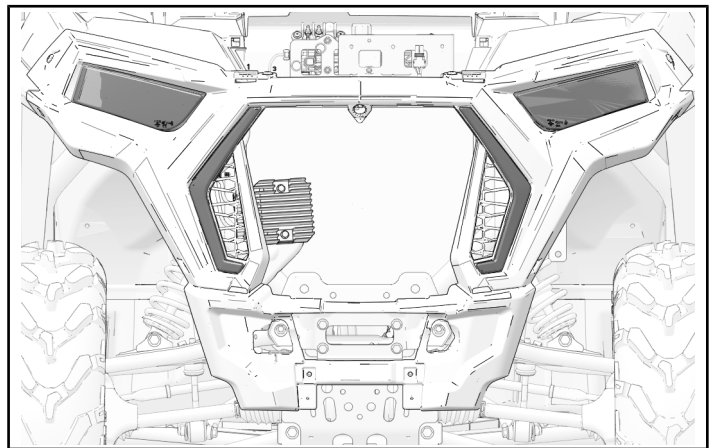
1. Install remote holder ⑰ with two fasteners ⑱, at desired location on the dashboard. Torque fasteners until fully seated.



VEHICLE REASSEMBLY

FRONT FASCIA INSTALLATION

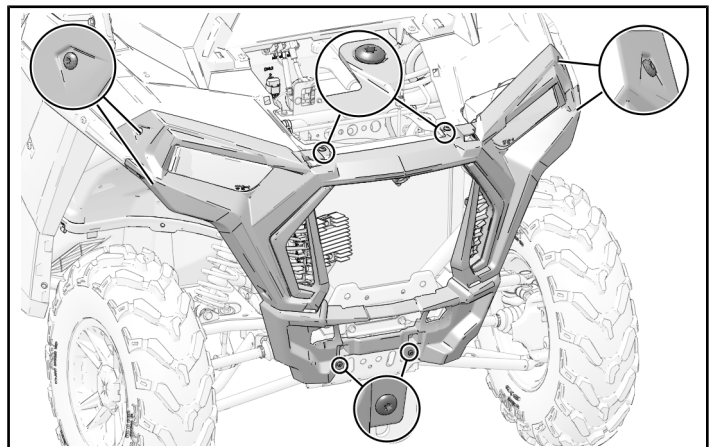
1. Align front fascia with vehicle. Connect front headlights and accent lights (if equipped).



2. Install front fascia with eight retained fasteners. Torque fasteners to specification.

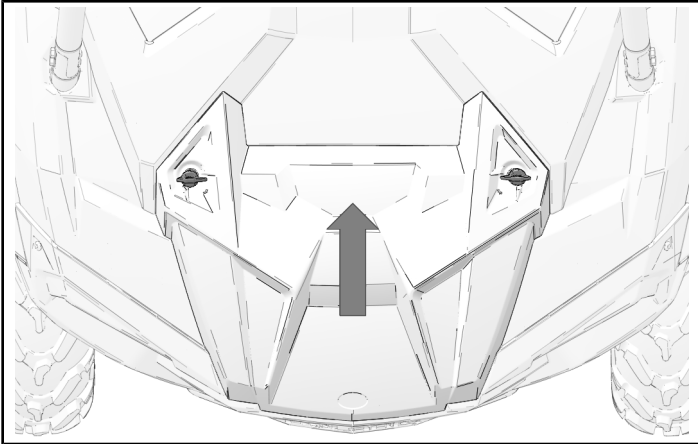
TORQUE

Front Fascia Fasteners:
8 ft-lbs (11 N·m)

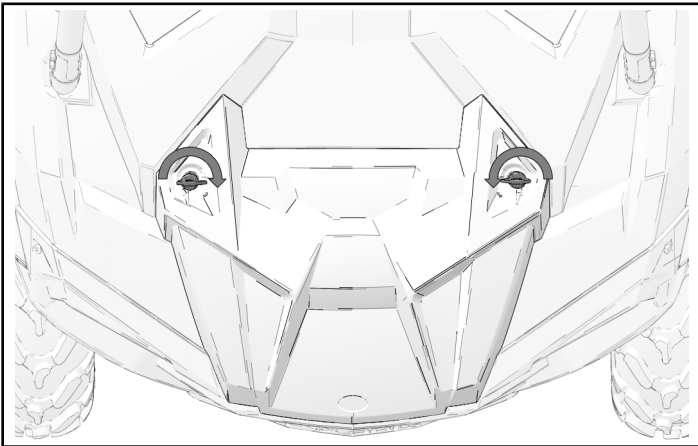


CENTER HOOD PANEL INSTALLATION

1. Move hood rearward.

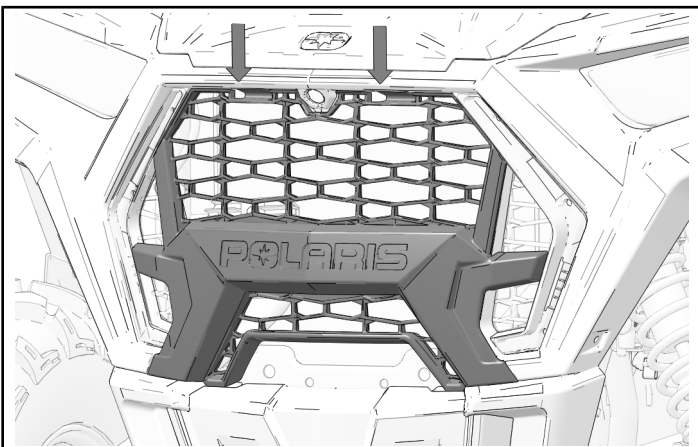


2. Turn quarter-turn fasteners to lock hood to vehicle.



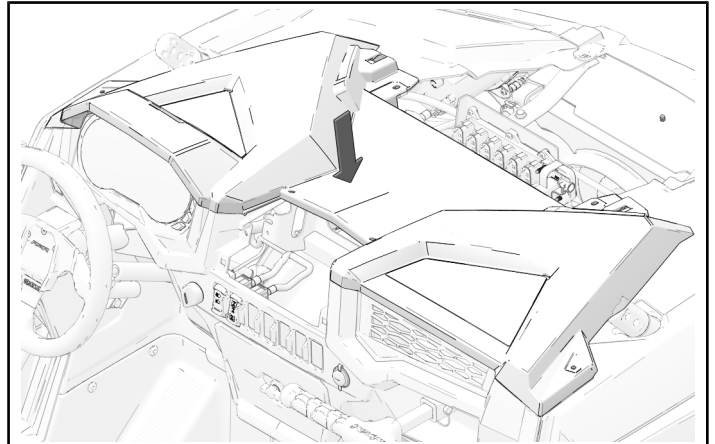
GRILLE INSTALLATION

1. Install grille into front fascia. Make sure two tabs engage with fascia.



DASHBOARD TOP INSTALLATION

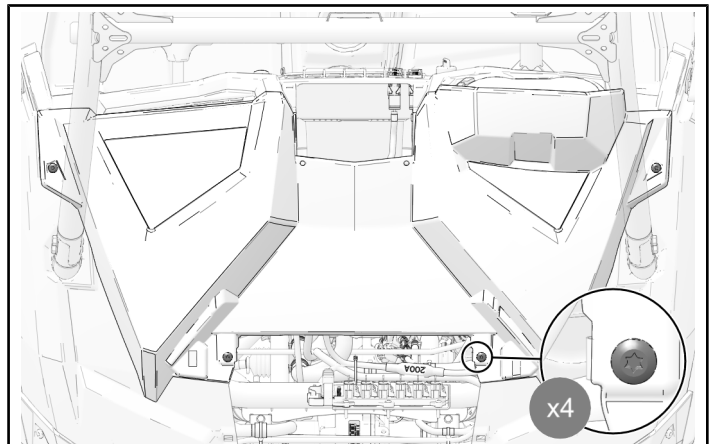
1. Install dashboard on top of front dashboard panel. Make sure top dashboard clips engage with front dashboard.



2. Install dashboard with four dashboard fasteners.

TORQUE

Dashboard Fasteners:
8 ft-lbs (11 N·m)

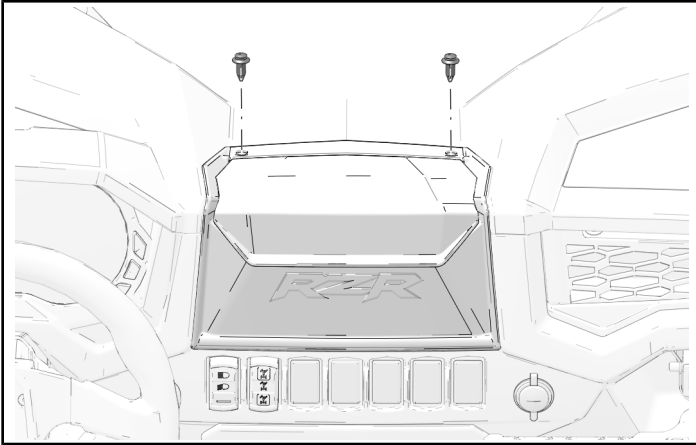


DASHBOARD STORAGE INSTALLATION

NOTICE

Storage bin shown; audio head unit bezel similar.

1. Install storage compartment with two push-pin rivets.

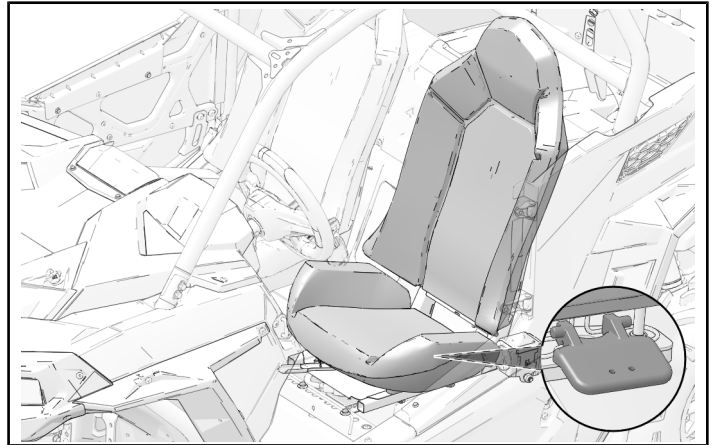


SEAT INSTALLATION

NOTICE

Driver seat shown; passenger seat similar.

1. Put seat in installed position. Align latch with plunger on vehicle.

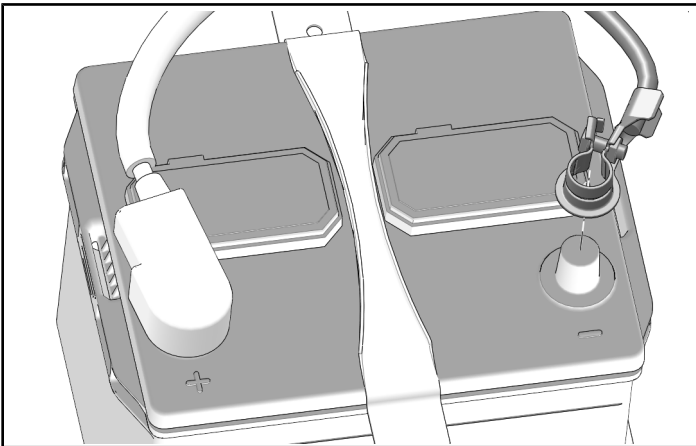


BATTERY CONNECT

1. Install negative (-) terminal clamp with fastener. Torque fastener to specification.

TORQUE

Terminal Clamp Fastener:
60 in-lbs (6.5 N·m)



OPERATION

Read *Winch Guide* thoroughly before connecting winch remote to winch socket or using wireless remote to operate the winch.

INSTRUCTION FEEDBACK FORM

A feedback form has been created for the installer to provide any comments, questions or concerns about the installation instructions. The form is viewable on mobile devices by scanning the QR code or by clicking [HERE](#) if viewing on a PC.

