

# LIGHT BAR HARNESS KIT



P/N 2889130

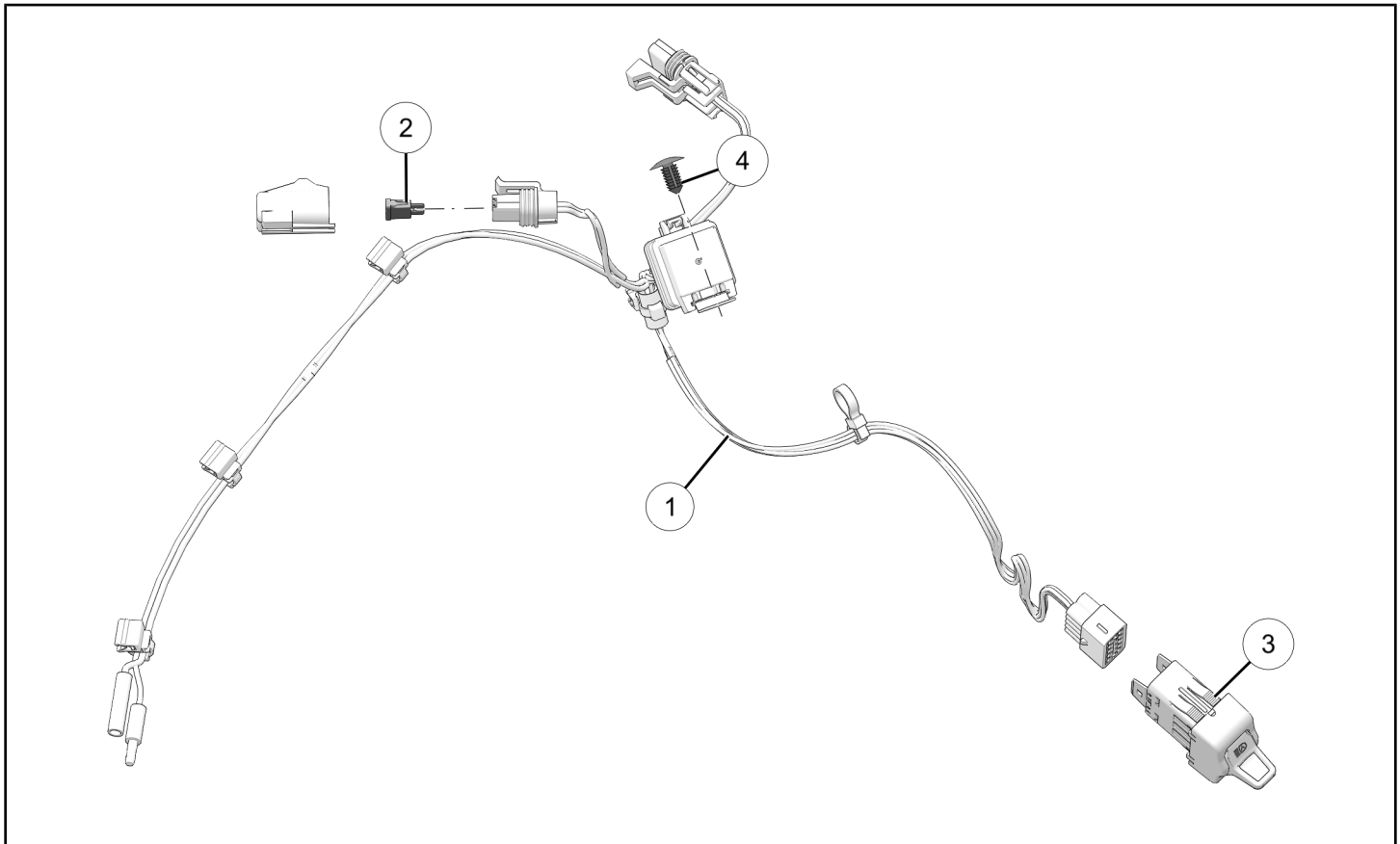
## BEFORE YOU BEGIN

Read these instructions and check to be sure all parts and tools are accounted for. Please retain these installation instructions for future reference and parts ordering information.

## APPLICATION

Verify accessory fitment at [www.polaris.com](http://www.polaris.com).

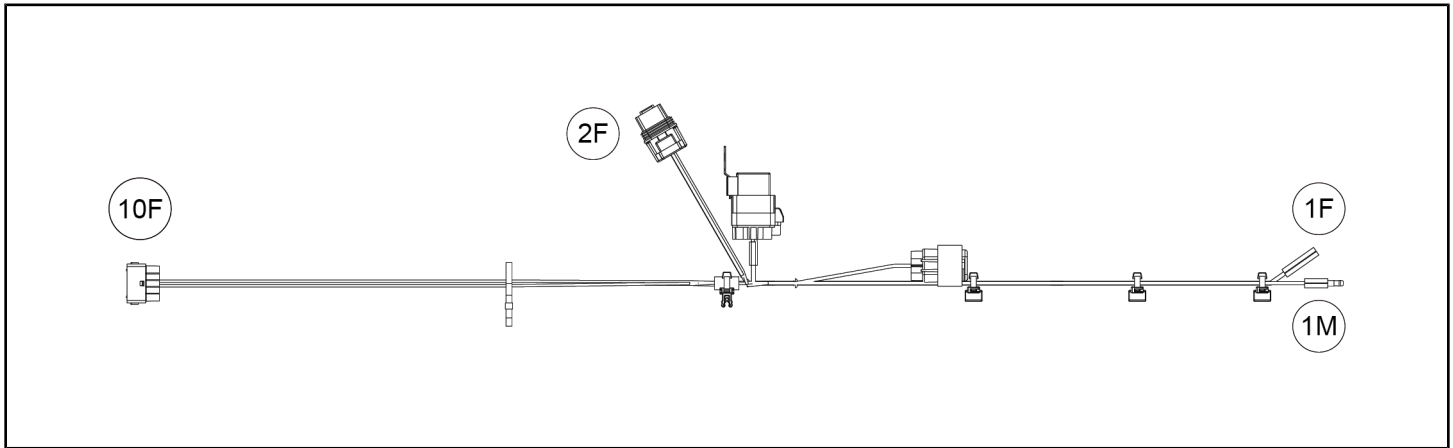
## KIT CONTENTS



REF	QTY	PART DESCRIPTION	P/N AVAILABLE SEPARATELY
1	1	Harness–Light Bar	n/a
2	1	Fuse–20 Amp	4011683
3	1	Switch–Light	4018375
4	1	Clip–Plastic	7670088

## HARNES DETAIL

### LIGHT BAR HARNES ①



REF	PART DESCRIPTION	CONNECTS TO
10F	Switch Connector	Light Switch
2F	Power Connector	Polaris Pulse® bar
1F	Light Bar Connector	Accessory Light Bar
1M	Light Bar Connector	Accessory Light Bar

Example: 16F = 16 pin, Female / 16M = 16 pin, Male (Male terminal fits inside female terminal)

### TOOLS REQUIRED

- Safety Glasses
- Pliers, Push Pin Rivet
- Pliers, Side Cutting
- Socket Set, Torx® Bit
- Torque Wrench

### CONSUMABLES REQUIRED

- Tape, Electrical

### IMPORTANT

Your Light Bar Harness Kit is exclusively designed for your vehicle. Please read the installation instructions thoroughly before beginning. Installation is easier if the vehicle is clean and free of debris. For your safety, and to ensure a satisfactory installation, perform all installation steps correctly in the sequence shown.

### INSTALLATION INSTRUCTIONS

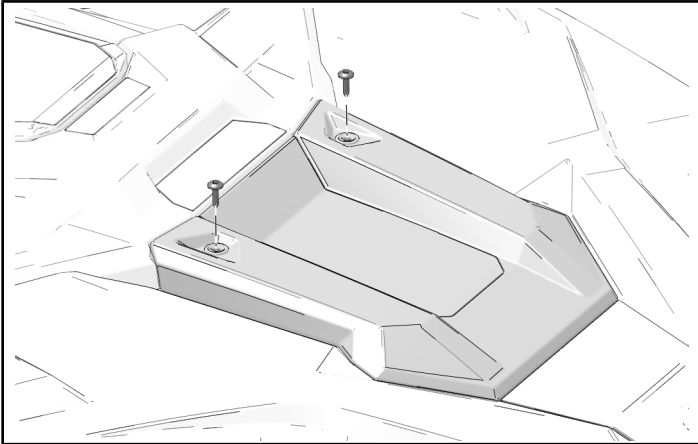
#### VEHICLE PREPARATION

##### GENERAL

1. Shift vehicle transmission into PARK.
2. Turn ignition switch to OFF position and remove key.

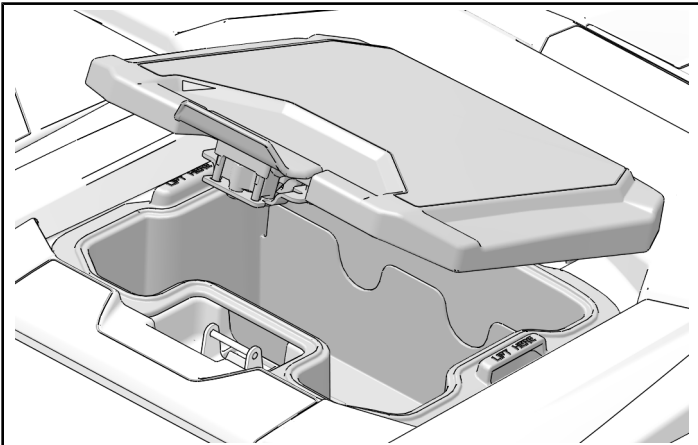
## CENTER HOOD PANEL REMOVAL

1. Remove and keep two hood fasteners. Move hood towards rear of vehicle to remove.



## DASHBOARD STORAGE REMOVAL

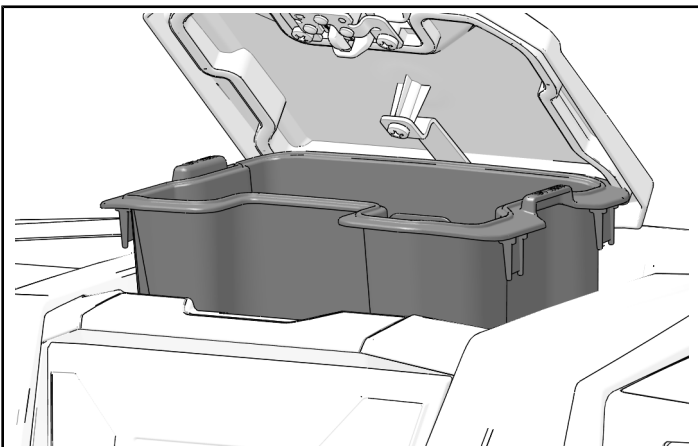
1. Open center dashboard storage compartment.



2. Remove storage compartment from dashboard.

### TIP

If removing storage compartment is difficult, carefully use tool to pry storage compartment upwards where marked "LIFT HERE."

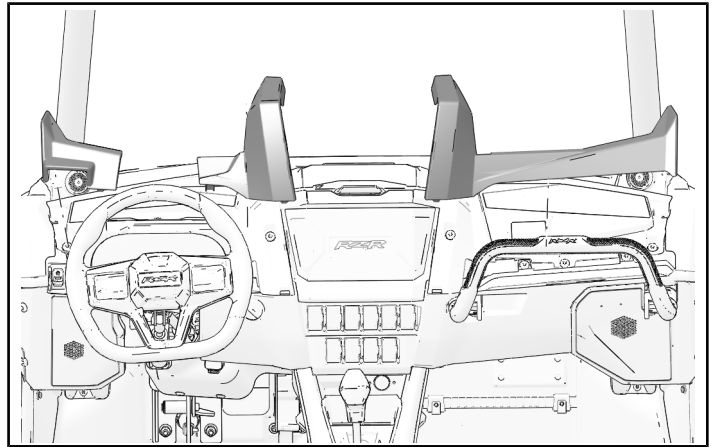


## DASHBOARD TOP REMOVAL

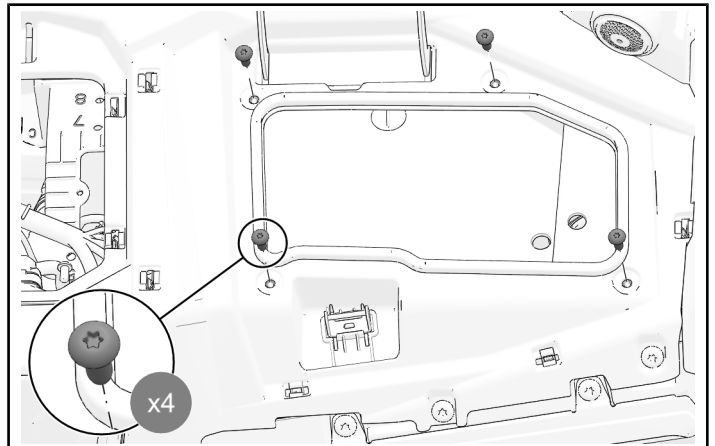
1. Carefully pull up to remove left, center, and right dashboard trim pieces.

### TIP

Release steering tilt lock for improved access.



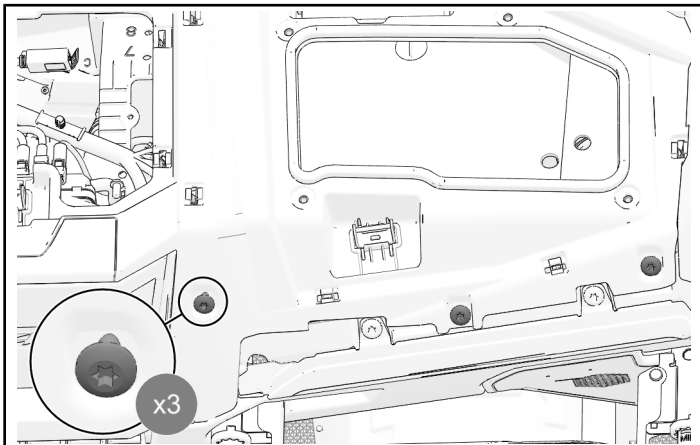
2. Open glove box lid. Remove and retain four dashboard fasteners around glove box opening.



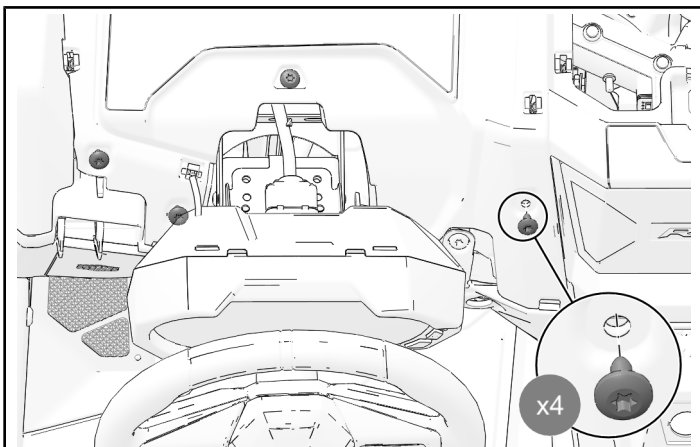
3. Remove and retain three front dashboard fasteners around glove box opening.

**TIP**

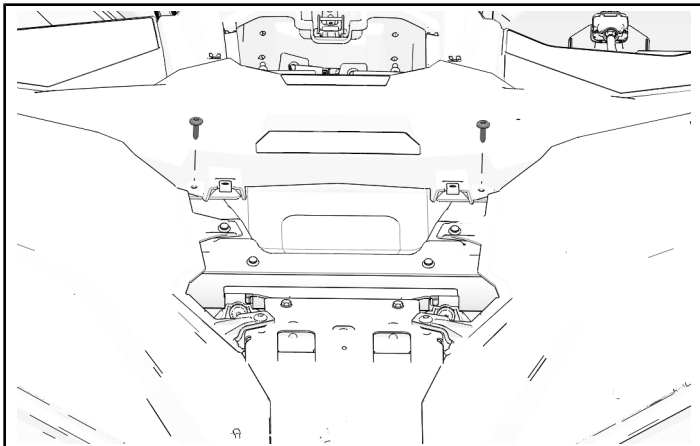
Make note of different screw sizes in steps 2 and 3.



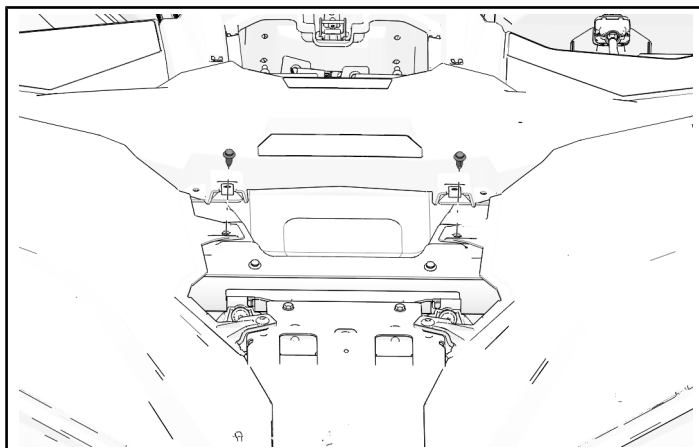
4. Tilt steering wheel down. Remove and retain four dashboard fasteners from dashboard surrounding steering wheel.



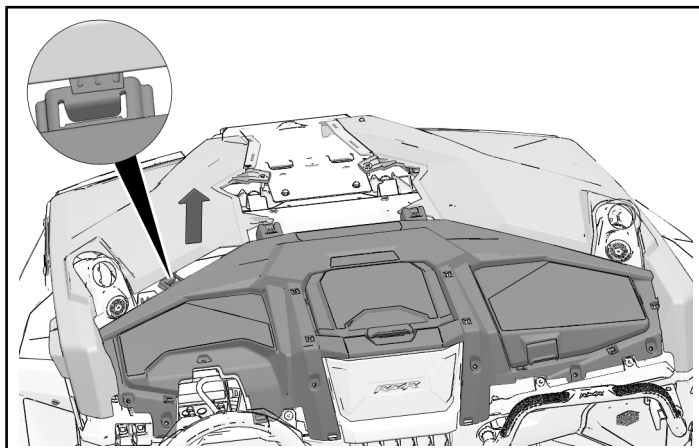
5. Remove and retain two dashboard fasteners from front of vehicle.



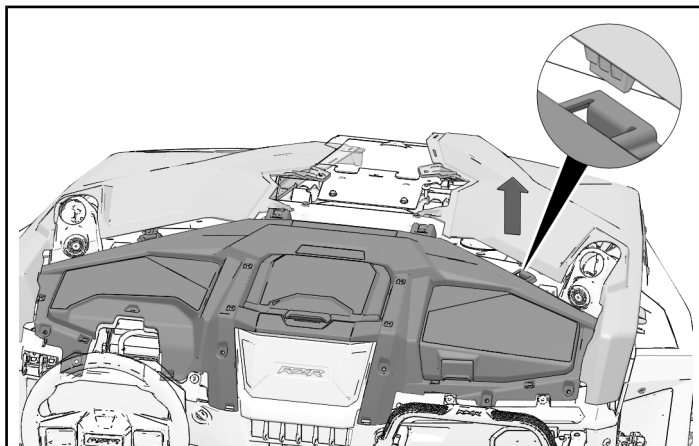
6. Remove and retain two push-pin rivets from front side hood panels.



7. Carefully lift edge of left front hood panel to release tab from dashboard top as shown.



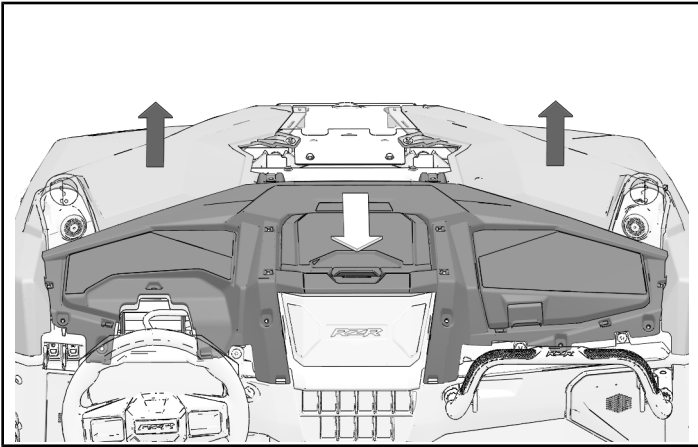
8. Carefully lift edge of right front hood panel to release tab from dashboard top as shown.



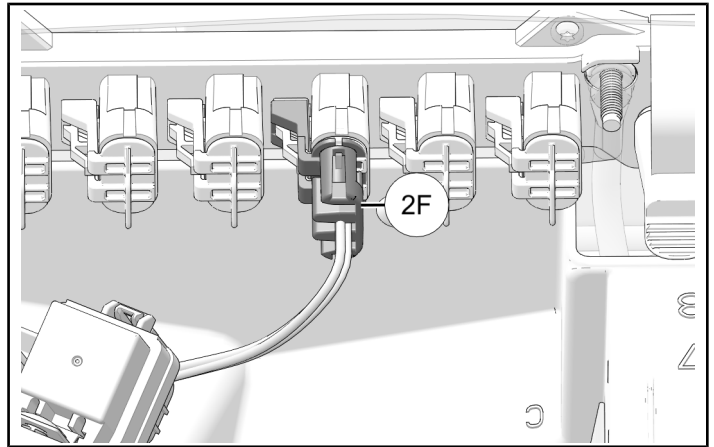
9. Carefully keep panels up-and-away from tabs and remove dashboard top by tilting rear section up and pulling out toward rear.

**TIP**

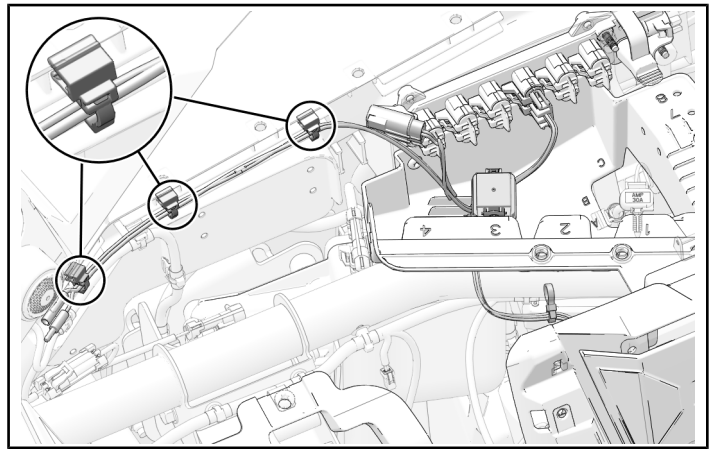
Two people are recommended to complete this step.



3. Remove plug from Polaris Pulse<sup>®</sup> bar and install connector 2F.

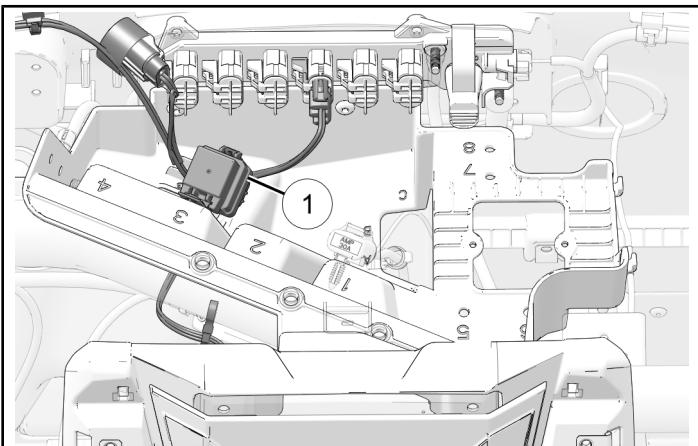


4. Install harness along firewall, towards driver's side, with three attached edge clips.

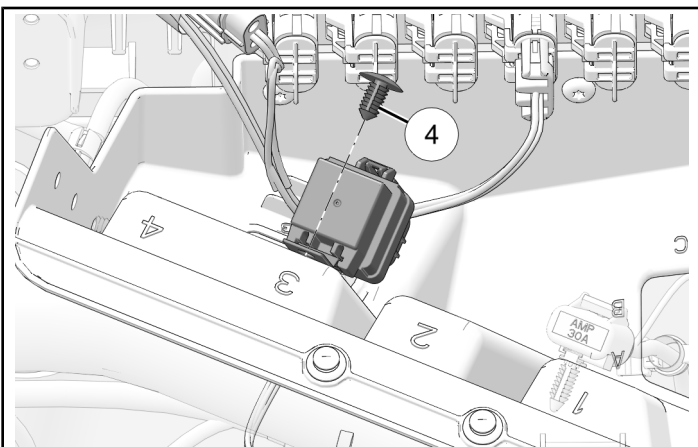


## ACCESSORY INSTALLATION

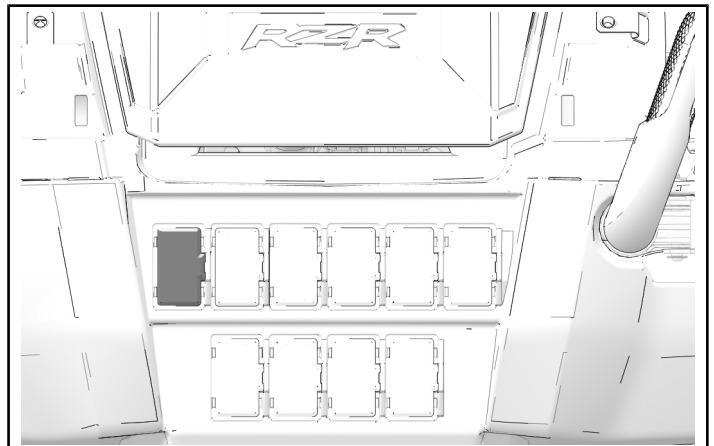
1. Put light bar harness ① in accessory mounting tray.



2. Install fuse relay to accessory mounting tray with one push-pin ④.

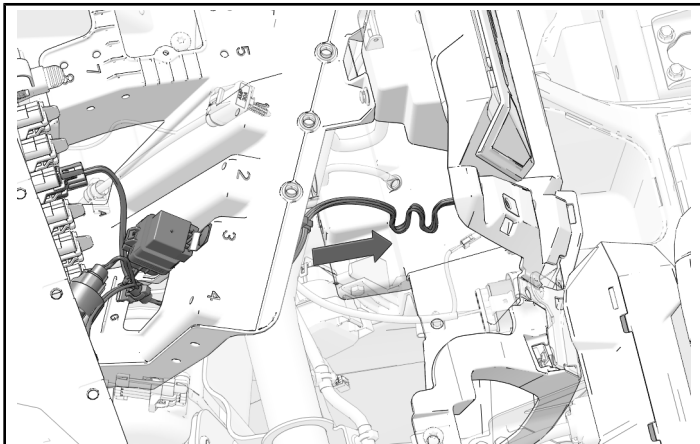


5. Remove blank switch plate.

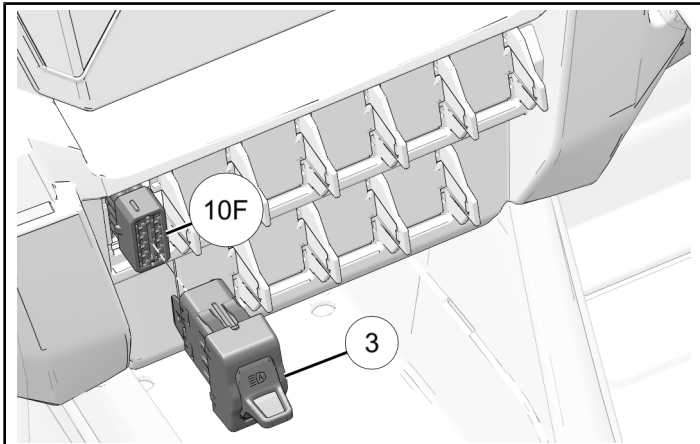




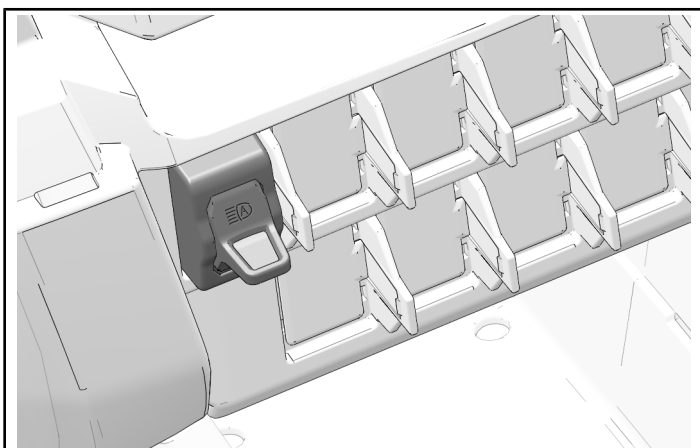
- Put switch connectors through bottom of accessory mounting tray and towards dashboard switch opening. Install excess harness to electrical chassis harness with attached cable tie.



- Install switch ③ to switch connector 10F.



- Install switch into dashboard and press until it snaps into place.



- Proceed with light bar installation. Refer to light bar or light bar mount instructions.

## VEHICLE REASSEMBLY

### GENERAL

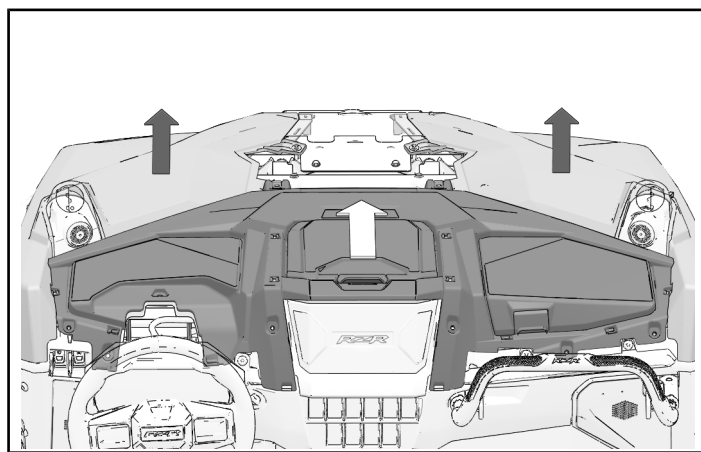
- Test light bar operation before proceeding with vehicle reassembly procedures. Refer to *Operation* section.

### DASHBOARD TOP INSTALLATION

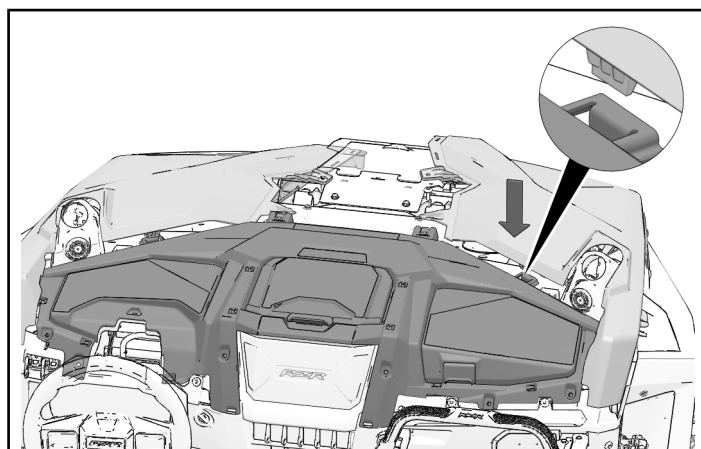
- Carefully lift panels up-and-away from tabs and install dashboard top into place by tilting rear section up and installing front section first, then lower rear section into place.

#### TIP

Two people are recommended to complete this step.



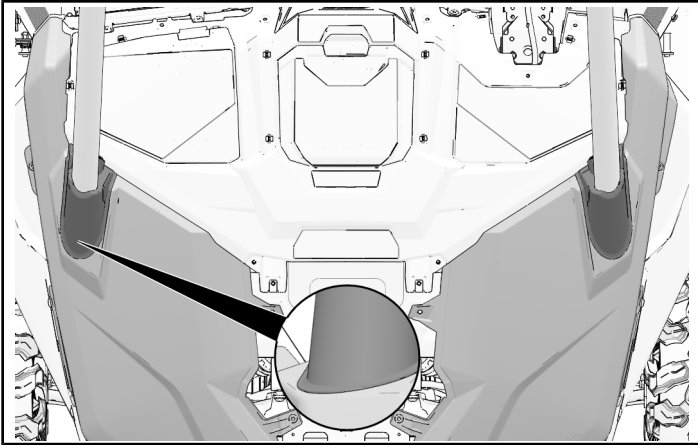
- Make sure tabs on panels are aligned in slots on dashboard top. (Passenger-side panel shown; driver-side panel similar.)



3. Make sure both rubber boots are properly seated around hood panels. Only upper lip should be visible, as shown with inset.

**TIP**

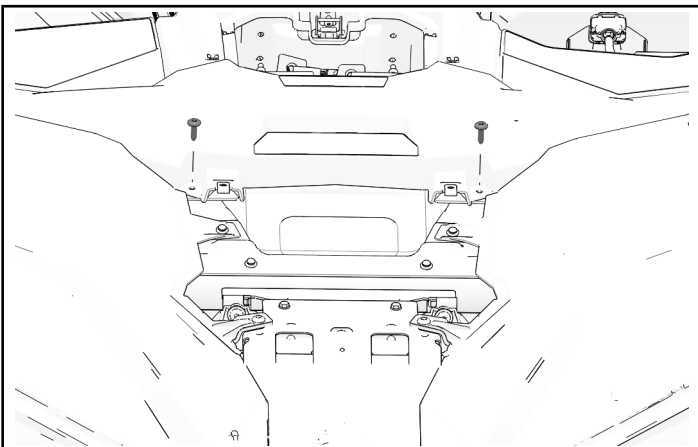
Push up on inside of fender to ease installation.



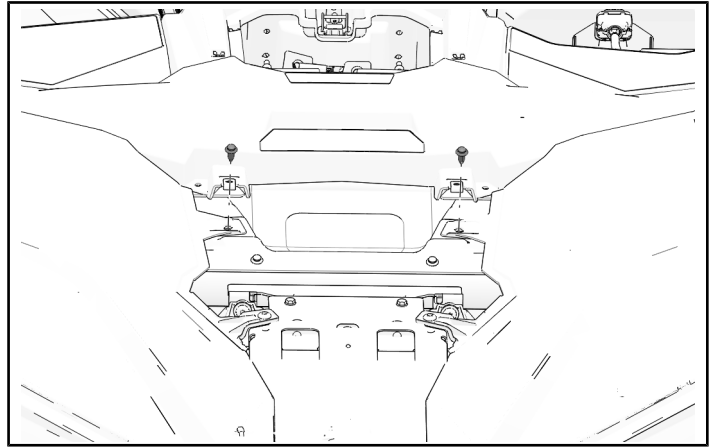
4. Reinstall two retained front dashboard fasteners into front edge of top dashboard.

**TORQUE**

Front Dashboard Fasteners:  
**88 in-lbs (10 N·m)**



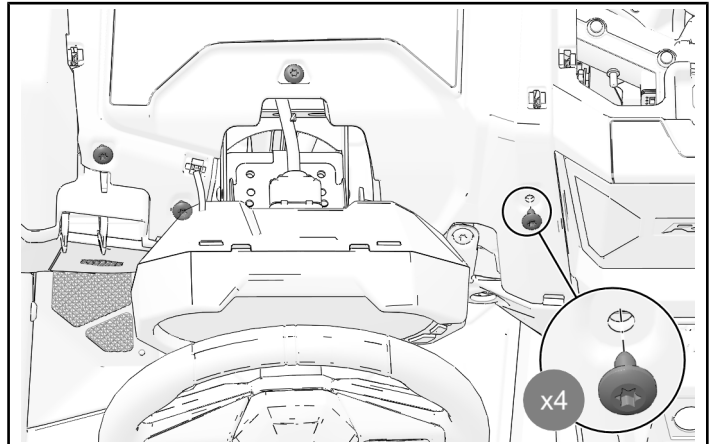
5. Install hood panels to vehicle with two retained push-pin rivets



6. Tilt steering wheel down. Install four retained screws through dashboard top and torque to specification.

**TORQUE**

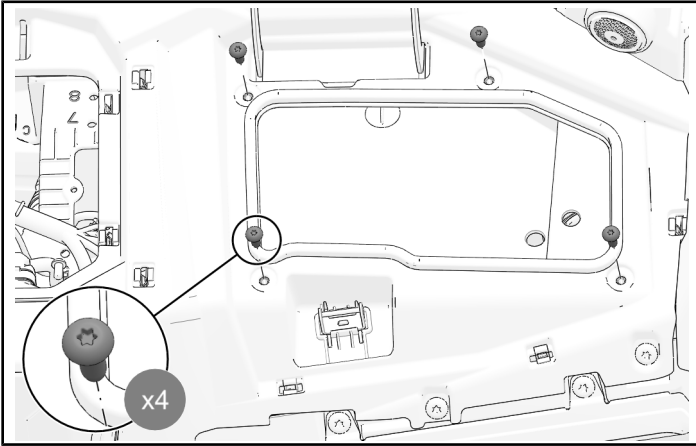
Dashboard Fasteners:  
**88 in-lbs (10 N·m)**



- Open glove box lid and reinstall storage compartment. Install four retained dashboard fasteners around glove box opening.

**TORQUE**

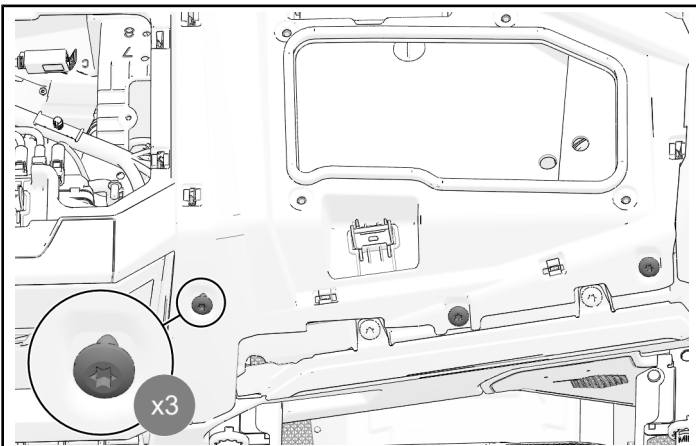
Dashboard Fasteners:  
**88 in-lbs (10 N·m)**



- Install front of dashboard with three retained dashboard fasteners.

**TORQUE**

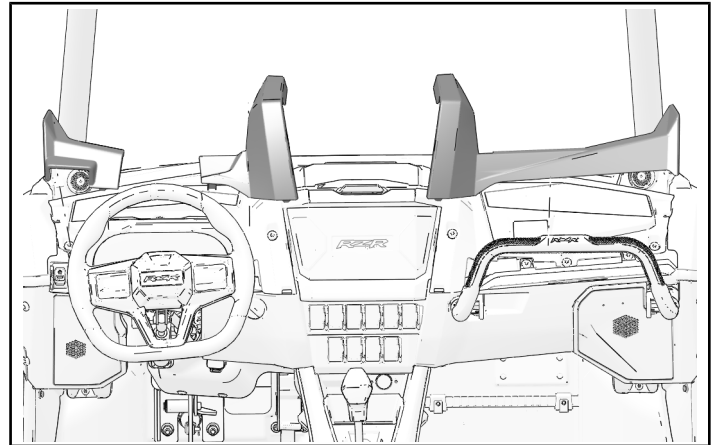
Dashboard Fasteners:  
**88 in-lbs (10 N·m)**



- Install retained left, center, and right dashboard trim pieces.

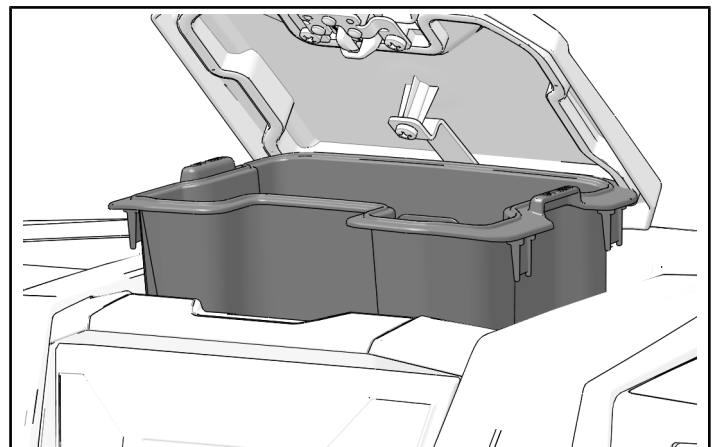
**TIP**

Release steering tilt lock for improved access.



**DASHBOARD STORAGE INSTALLATION**

- Slide storage compartment into dashboard cavity.



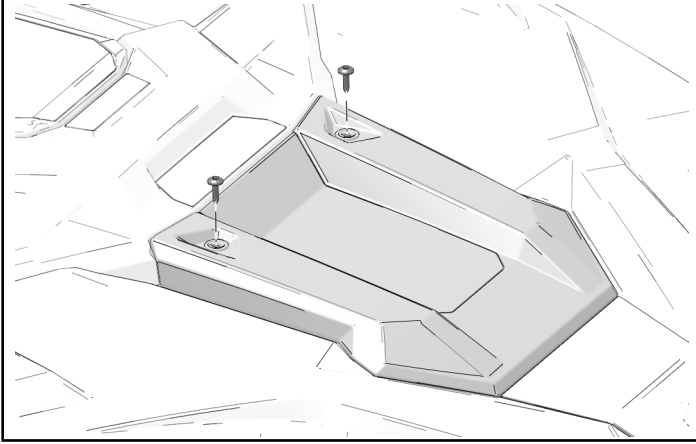


## CENTER HOOD PANEL INSTALLATION

1. Move panel forward until tabs slide into front hood panel and install with two hood fasteners.

### TORQUE

Hood Fasteners:  
**88 in-lbs (10 N·m)**

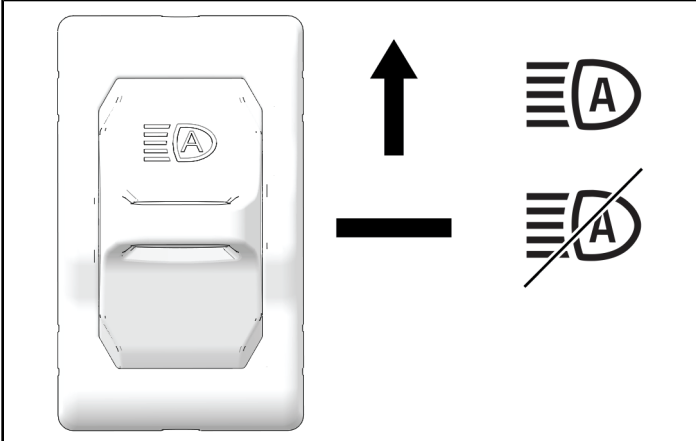


## OPERATION

### ON/OFF OPERATION

Move switch up to turn accessory light bar on.

Move switch to middle to turn accessory lightbar off.



## INSTRUCTION FEEDBACK FORM

A feedback form has been created for the installer to provide any comments, questions or concerns about the installation instructions. The form is viewable on mobile devices by scanning the QR code or by clicking [HERE](#) if viewing on a PC.

