

LED HEADLIGHT KIT



P/N 2889072

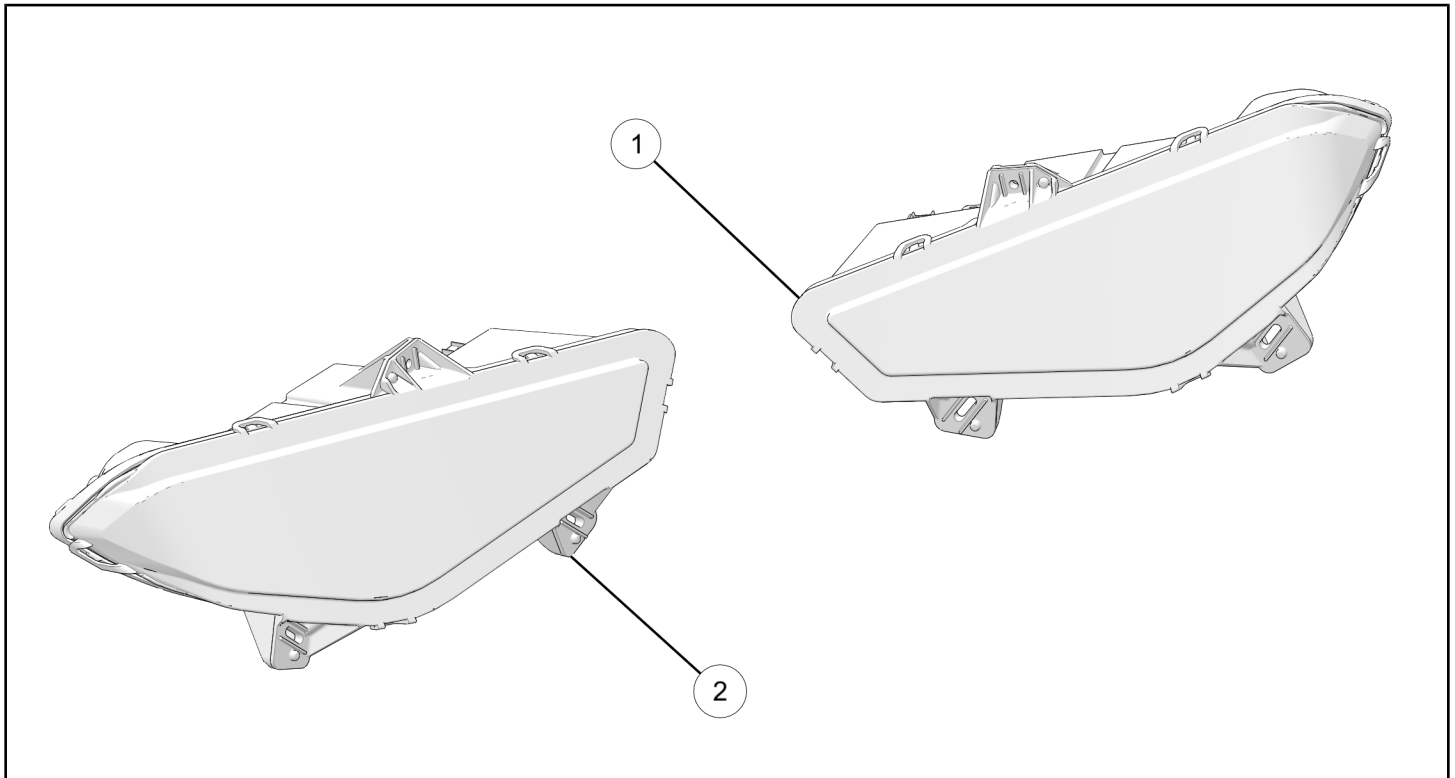
BEFORE YOU BEGIN

Read these instructions and check to be sure all parts and tools are accounted for. Please retain these installation instructions for future reference and parts ordering information.

APPLICATION

Verify accessory fitment at www.polaris.com.

KIT CONTENTS



| REF | QTY | PART DESCRIPTION | P/N AVAILABLE SEPARATELY |
|-----|-----|--------------------|--------------------------|
| 1 | 1 | Headlight, LED, LH | 2415406 |
| 2 | 1 | Headlight, LED, RH | 2415407 |

TOOLS REQUIRED

- Safety Glasses
- Pliers, Push Pin Rivet
- Screwdriver Set, Torx®
- Socket Set, Torx® Bit

IMPORTANT

Your LED Headlight Kit is exclusively designed for your vehicle. Please read the installation instructions thoroughly before beginning. Installation is easier if the vehicle is clean and free of debris. For your safety, and to ensure a satisfactory installation, perform all installation steps correctly in the sequence shown.

INSTALLATION INSTRUCTIONS

VEHICLE PREPARATION

GENERAL

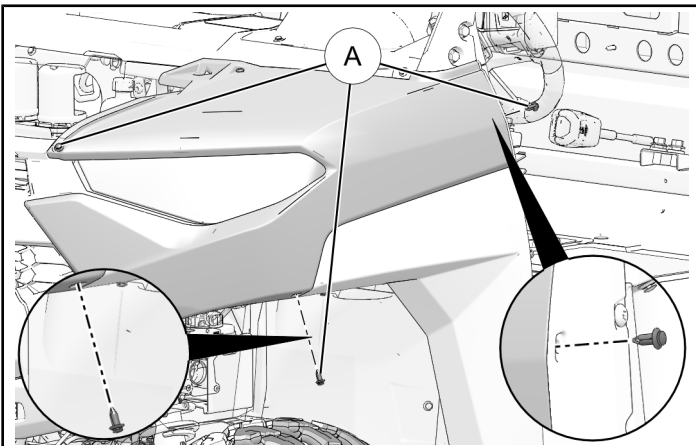
1. Park vehicle on flat surface.
2. Shift vehicle into **PARK**.
3. Turn ignition switch to **OFF** position and remove key.
4. Open or remove hood.

FENDER REMOVAL

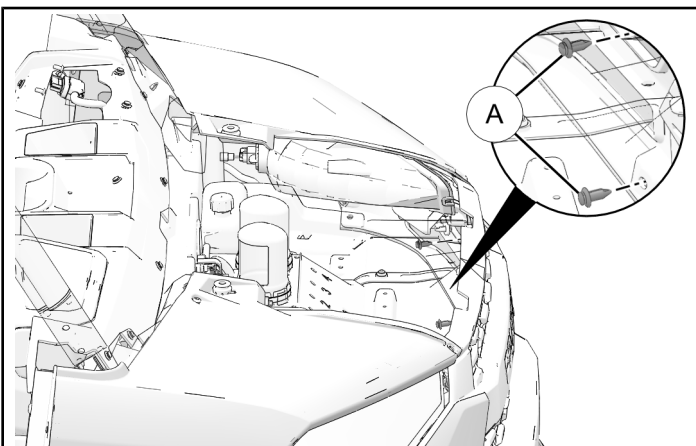
1. Remove and keep three push pin rivets (A) from fender.

TIP

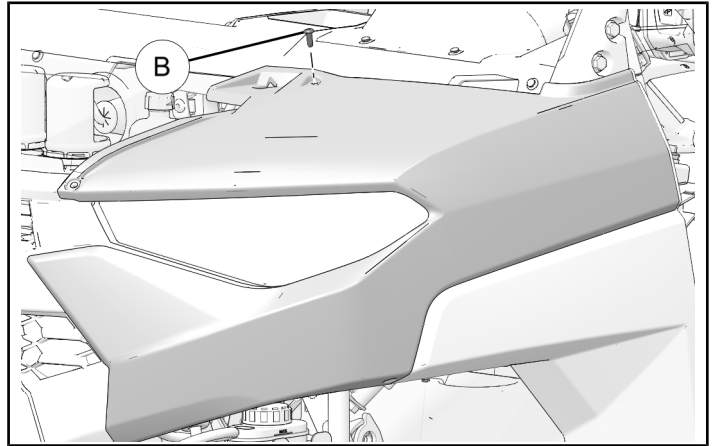
One push pin rivet is located on the underside of fender.



2. Remove and keep two push pin rivets (A) from behind front fascia.



3. Remove and keep one screw (B) from fender.

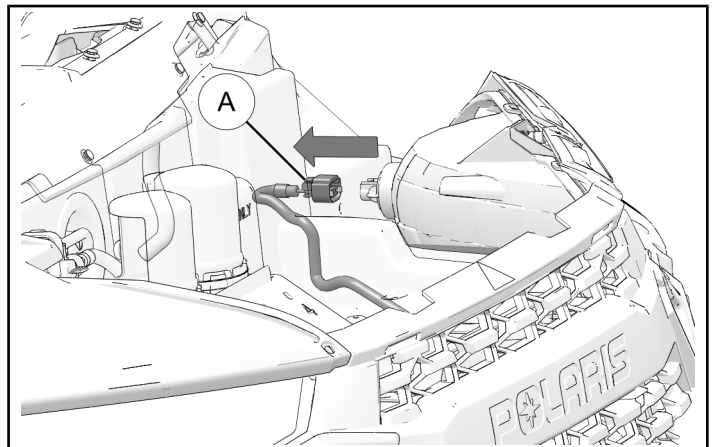


4. Set fender aside.

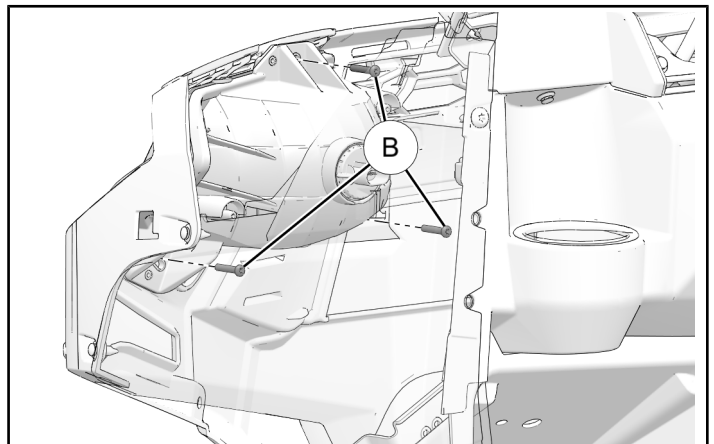
ACCESSORY INSTALLATION

HEADLIGHT REMOVAL

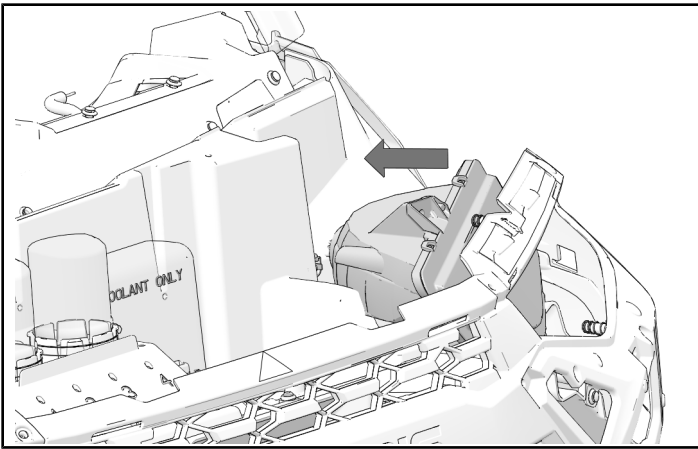
1. Disconnect headlight electrical harness (A).



2. While holding headlight, remove and keep three headlight adjustment screws (B) from behind headlight.



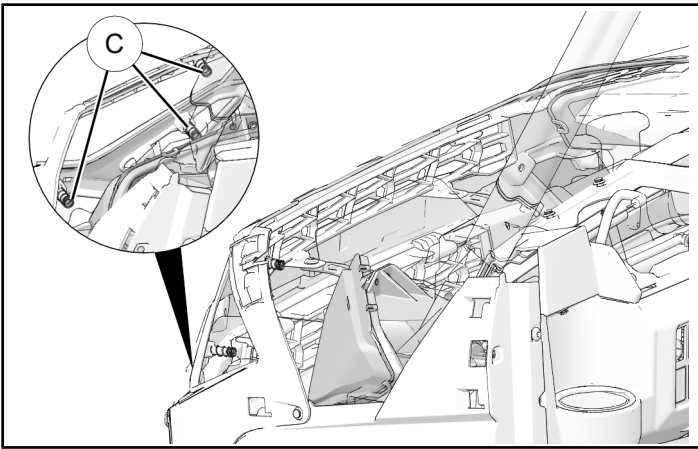
3. Carefully remove headlight.



4. Make sure all three springs ③ stay attached to front fascia.

IMPORTANT

Springs float between front fascia and headlight housing. If removed, keep and install with LED headlight.

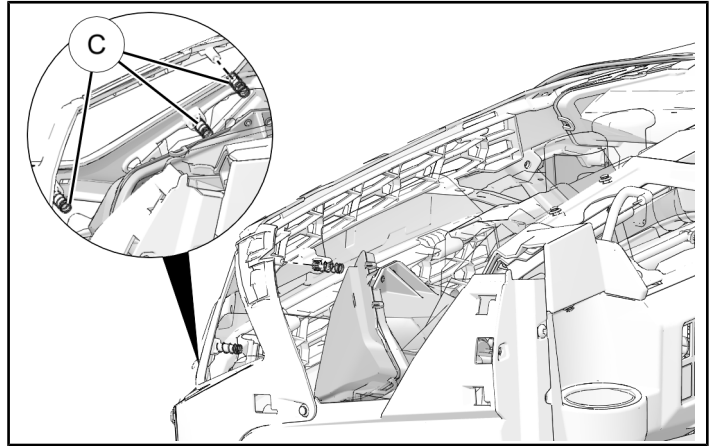


LED HEADLIGHT INSTALLATION

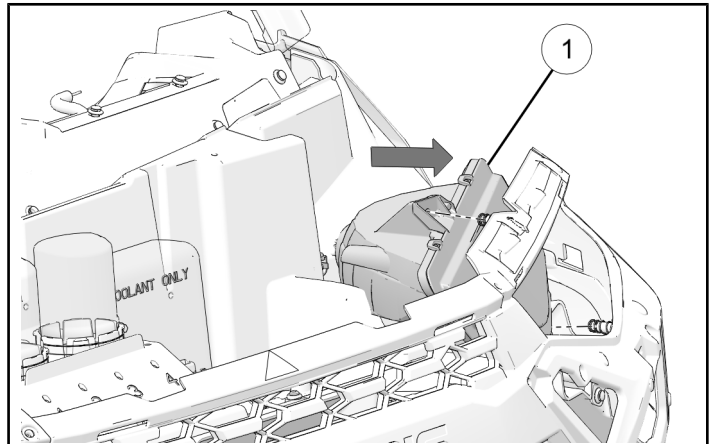
1. If removed, install three springs ③ onto front fascia

IMPORTANT

Make sure all three springs ③ are attached to front fascia before installing headlight housing.

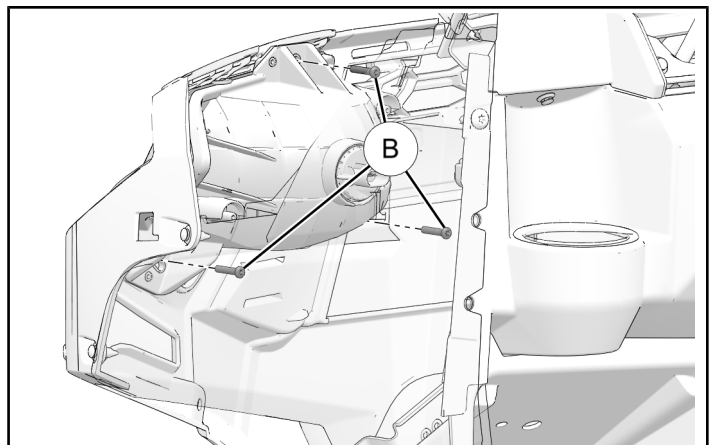


2. Install LED Headlight housing ① by sliding housing into front fascia.

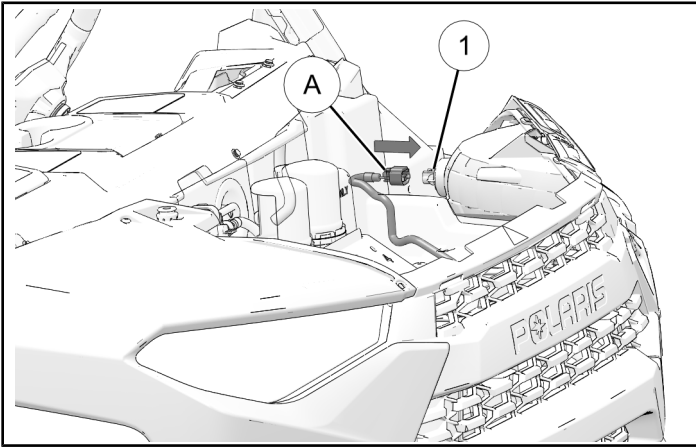


3. Loosely install three headlight adjustment screws ②.

Do not tighten screws at this time.



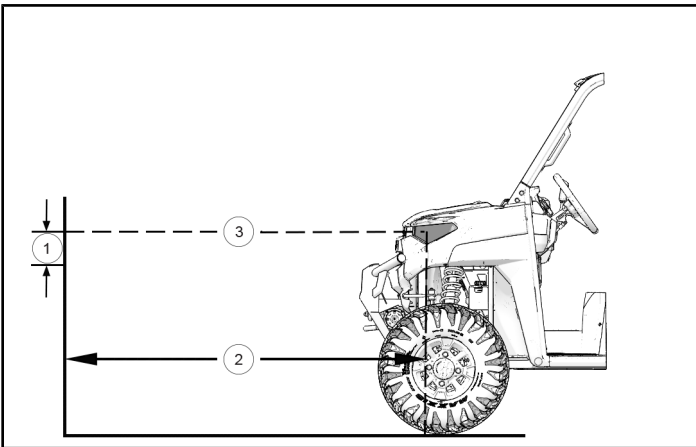
- Connect headlight electrical harness (A) to LED Headlight ①.



- Repeat headlight removal and installation steps for opposite side.

HEADLIGHT ADJUSTMENT

- Park vehicle on level surface with headlight approximately 25 ft. (7.6 m) ③ from a wall.



| ITEM | DESCRIPTION |
|------|------------------------------------|
| ① | Measure Distance: 7.5 in (19.0 cm) |
| ② | Measure Distance: 25 ft (7.6 m) |
| ③ | Headlight, Center of Bulb |

- Measure distance from floor to center of headlight and make a mark on the wall at the same height.
- Start engine.

IMPORTANT

Make sure vehicle is in **PARK**.

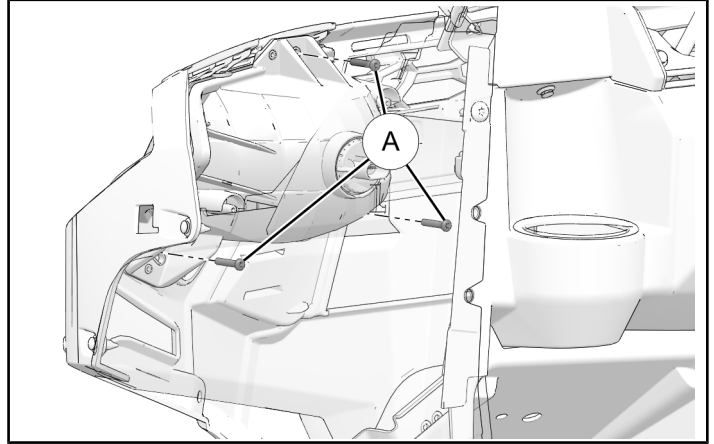
- Turn headlight switch to **LOW** position.

- The most intense part of **LOW** headlight beam should be aimed 7.5 in (19 cm) ① below mark placed on wall.

NOTICE

Rider weight must be included in seat while performing this procedure.

- Adjust beam to desired position by loosening or tightening adjustment screws (A) and moving headlight housing to appropriate height.
- Adjust headlight screws (A) until proper aim is obtained.

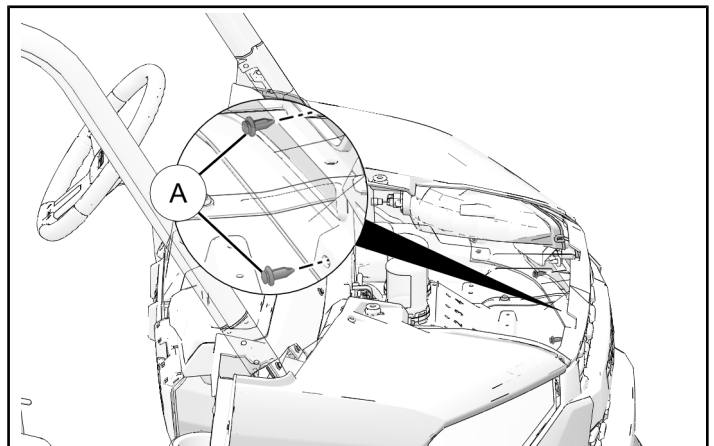


- Repeat steps 1-7 for opposite side headlight.

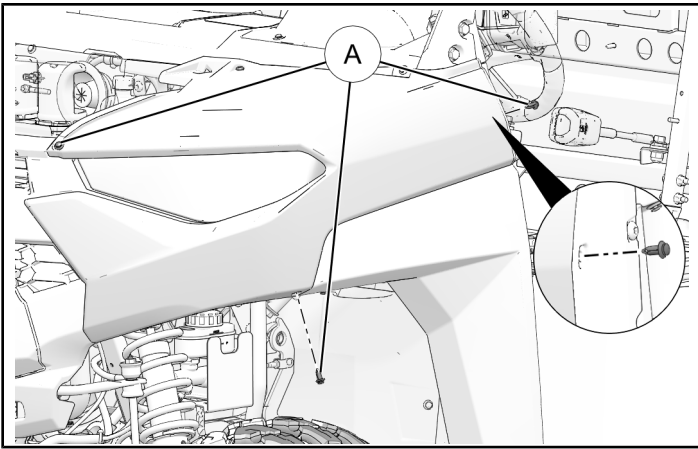
VEHICLE REASSEMBLY

FENDER INSTALLATION

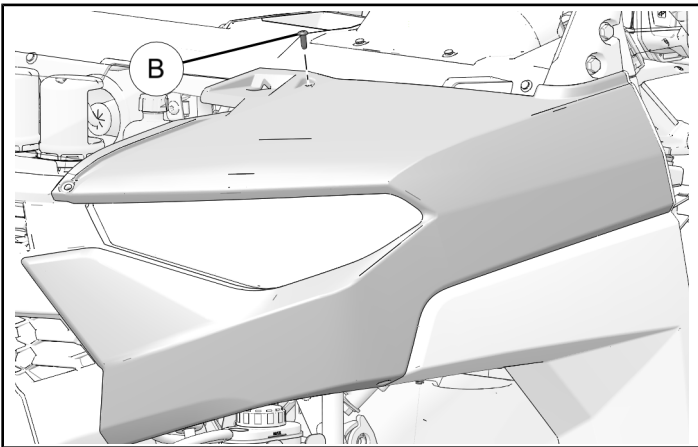
- Set fender onto vehicle and align fastener holes.
- Install two push pin rivets (A) behind front fascia.



3. Install three push pin rivets (A) into fender.



4. Install one screw (B) into top of fender.



5. Torque fender screw (B) to specification.

TORQUE

Fender Screw (B):
22 in-lbs (3 N·m)

GENERAL

1. Close or install hood.

INSTRUCTION FEEDBACK FORM

A feedback form has been created for the installer to provide any comments, questions or concerns about the installation instructions. The form is viewable on mobile devices by scanning the QR code or by clicking [HERE](#) if viewing on a PC.

