

REAR ACCESSORY POWER HARNESS KIT



P/N 2889071

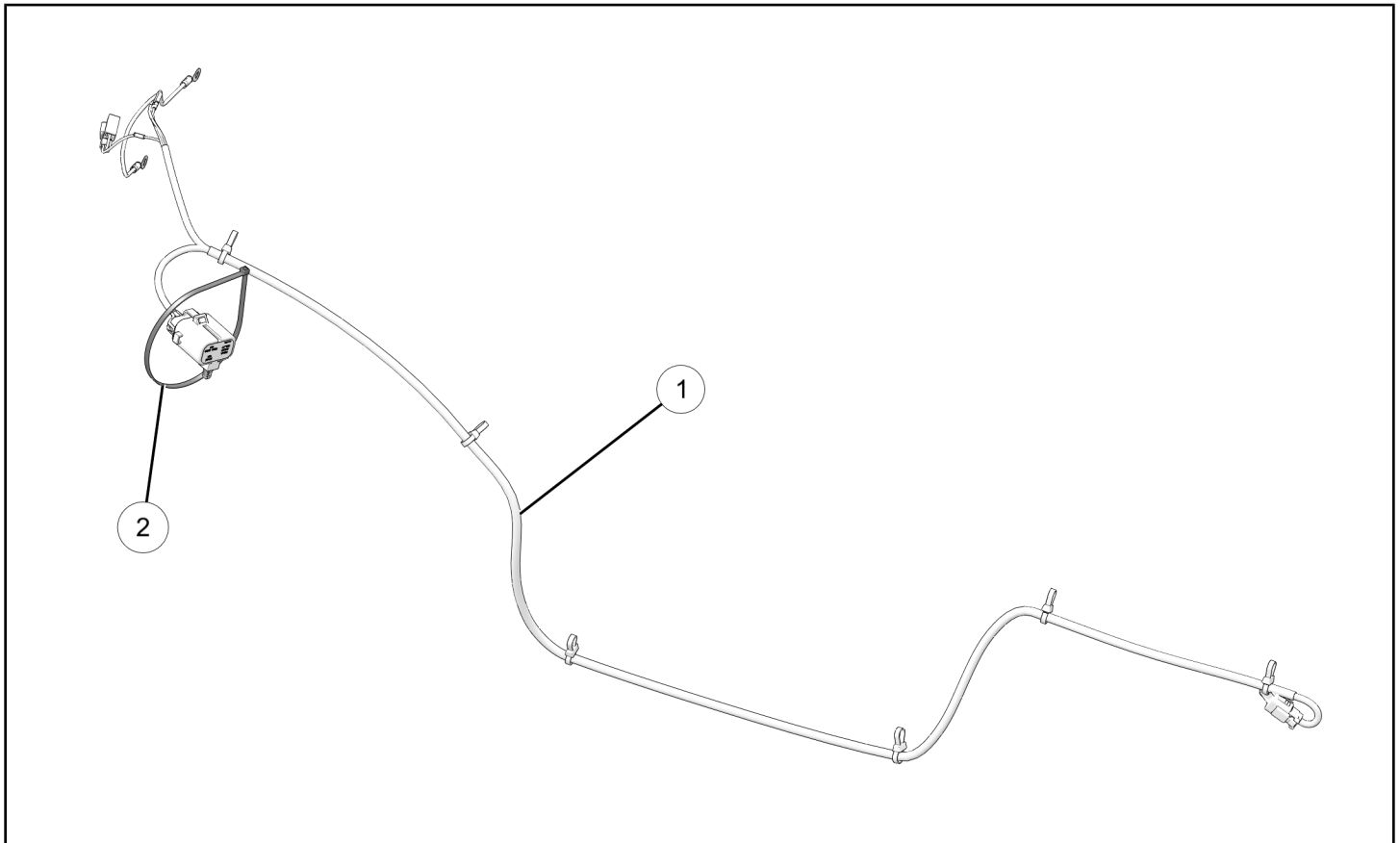
BEFORE YOU BEGIN

Read these instructions and check to be sure all parts and tools are accounted for. Please retain these installation instructions for future reference and parts ordering information.

APPLICATION

Verify accessory fitment at www.polaris.com.

KIT CONTENTS



REF	QTY	PART DESCRIPTION	P/N AVAILABLE SEPARATELY
1	1	Rear Accessory Power Harness	2415808
2	1	Cable Tie	7080761

TOOLS REQUIRED

- Safety Glasses
- Pliers, Push Pin Rivet
- Pliers, Side Cutting

IMPORTANT

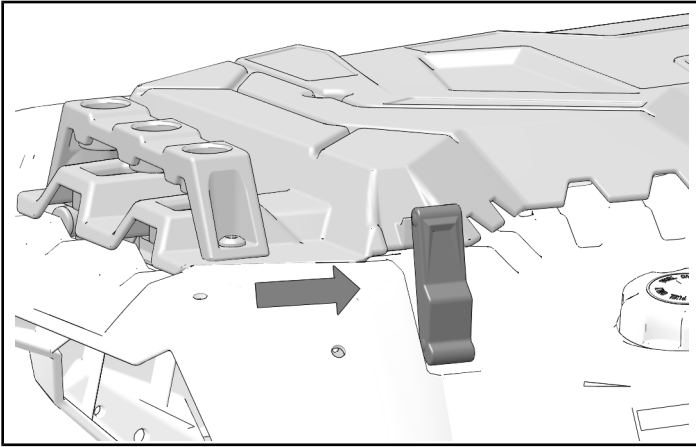
Your Rear Accessory Power Harness Kit is exclusively designed for your vehicle. Please read the installation instructions thoroughly before beginning. Installation is easier if the vehicle is clean and free of debris. For your safety, and to ensure a satisfactory installation, perform all installation steps correctly in the sequence shown.

INSTALLATION INSTRUCTIONS

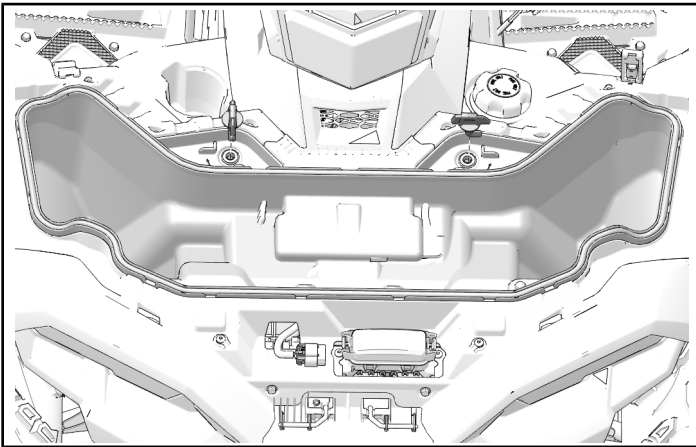
VEHICLE PREPARATION

GENERAL

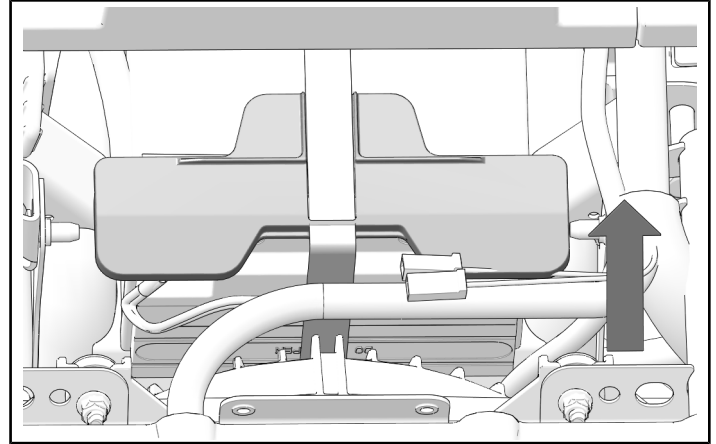
1. Park vehicle on a flat surface.
2. Push engine stop switch to OFF position.
3. Turn key to OFF position and remove key.
4. Release rubber latch on both sides and open front rack.



5. Remove two fasteners from front storage bin. Remove front storage bin.



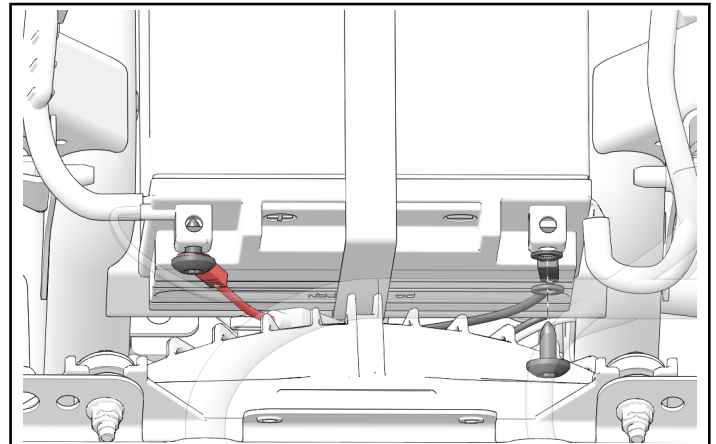
6. Fold up ends of battery cover to access battery bolts.



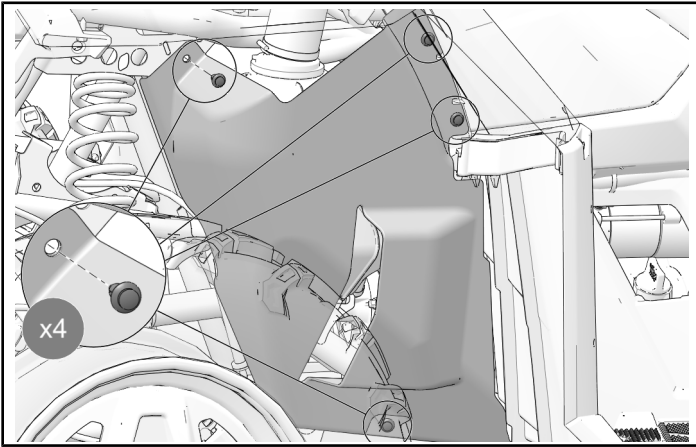
7. Remove bolt from black negative battery cable and disconnect negative battery cable. Remove bolt from red positive battery cable and disconnect positive battery cable.

⚠ WARNING

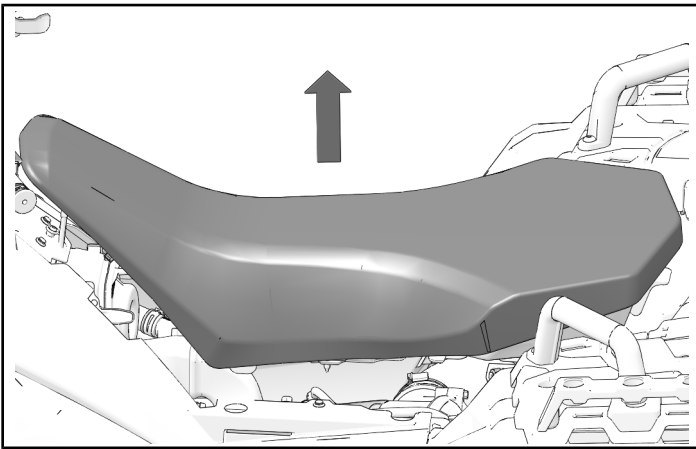
Always disconnect black negative cable from battery FIRST. Failure to do so will result in high current electrical arc and may result in battery explosion if tool touches grounded frame. Death or serious personal injury may occur.



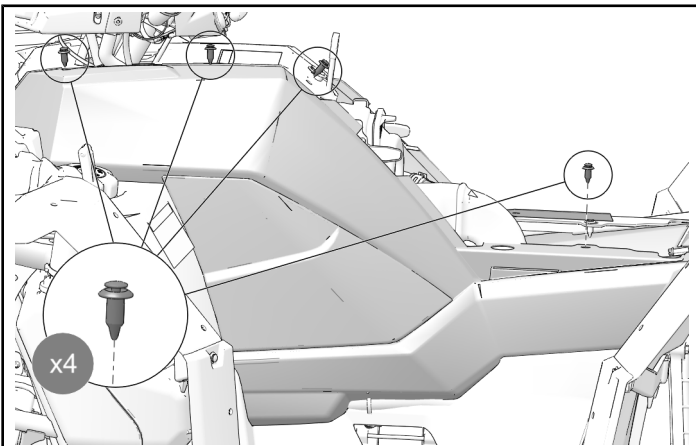
- Remove and keep four push pin rivets and remove left hand mud guard.



- Pull seat removal latch at the center rear of the seat to release seat from frame. Remove seat.

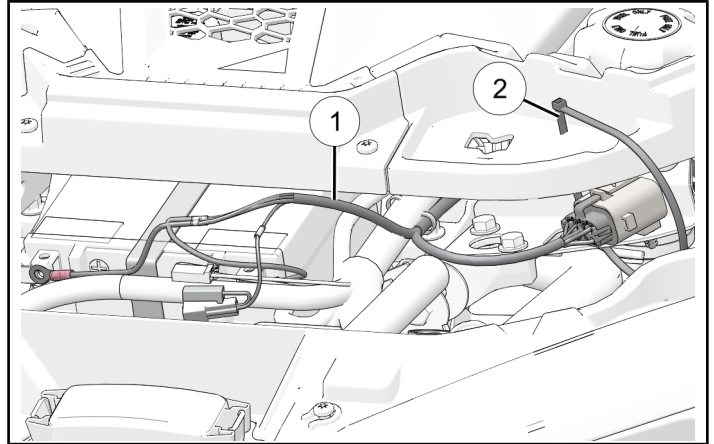


- Remove and keep four push pin rivets. Remove left hand upper side panel.



ACCESSORY INSTALLATION

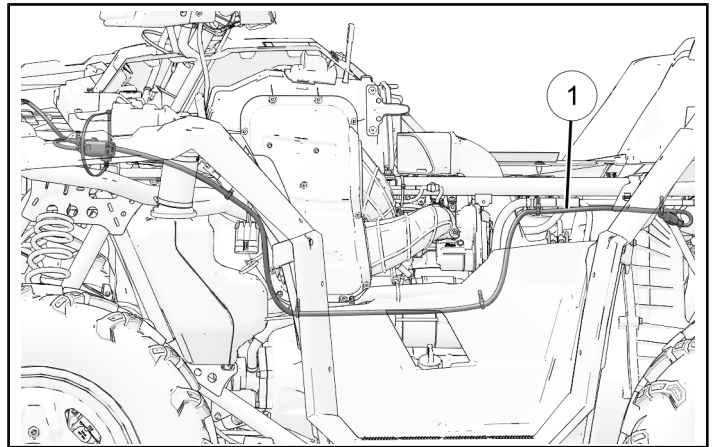
- Attach fuse block to chassis with cable tie ①. Put red positive and black negative wires by the battery. Do not connect at this time.



- Attach the accessory harness along the main vehicle chassis harness with the cable ties attached to the accessory harness.

NOTICE

Always reconnect the power connector to the dust cap when not in use.



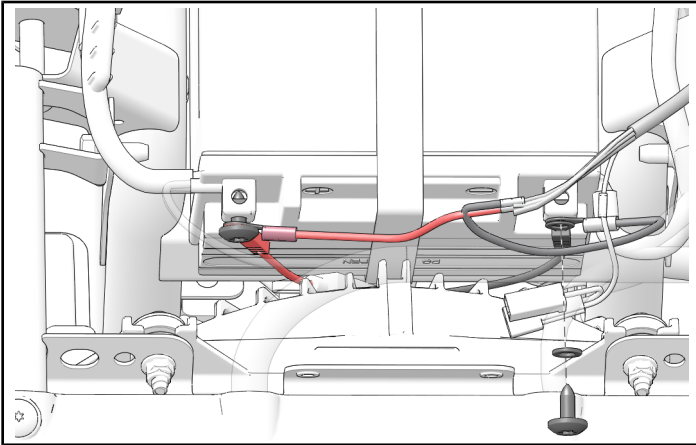
VEHICLE REASSEMBLY

GENERAL

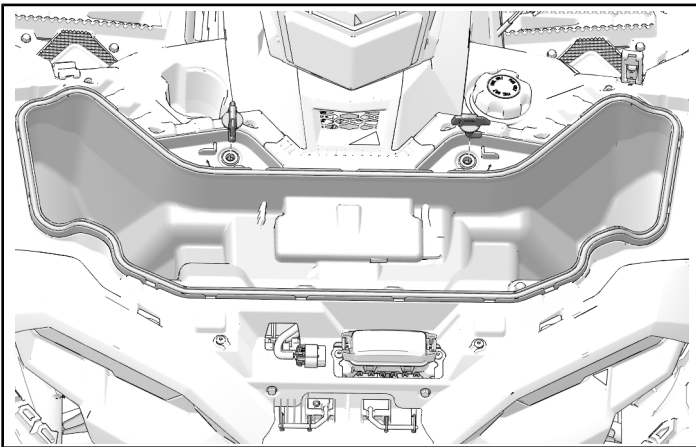
1. Connect all red positive wires to the positive battery terminal. Connect all black negative wires to the negative battery terminal. Torque to specification.

TORQUE

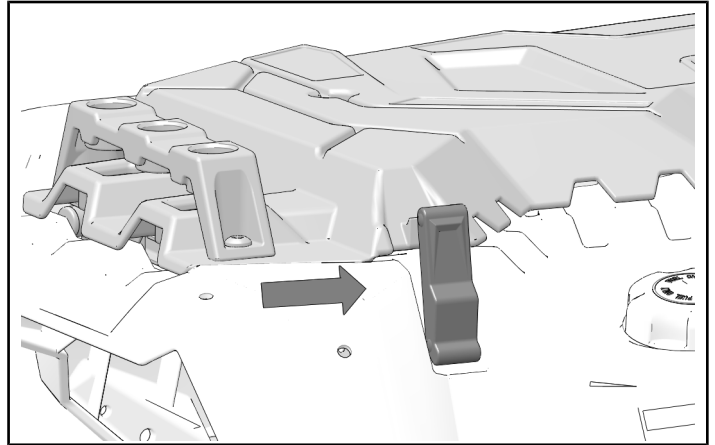
Battery Bolt:
60 in-lbs (6 N·m)



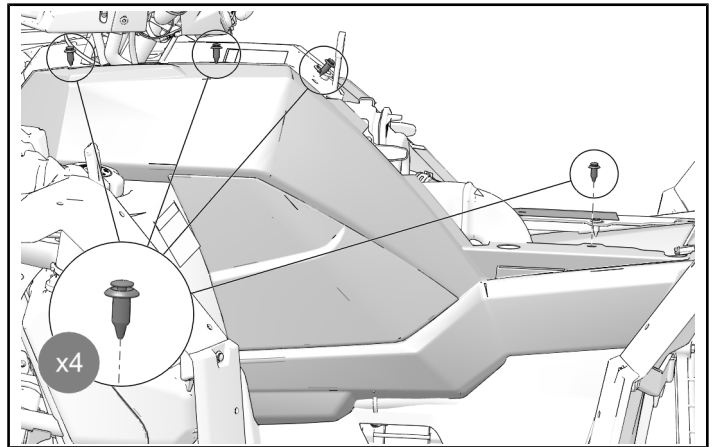
2. Install front storage bin and attach two fasteners.



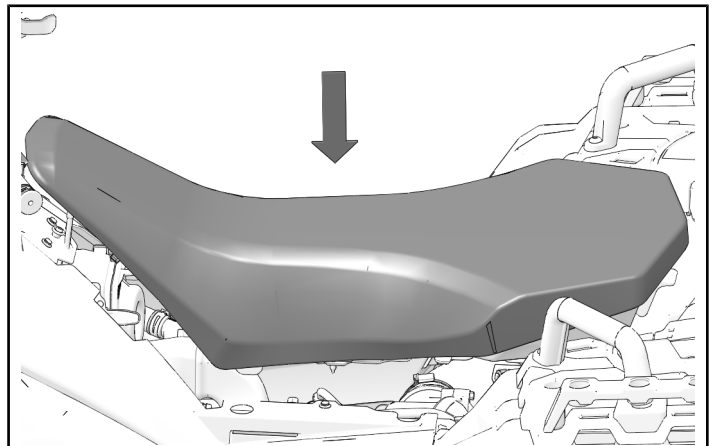
3. Close front rack and attach rubber latches on both sides.



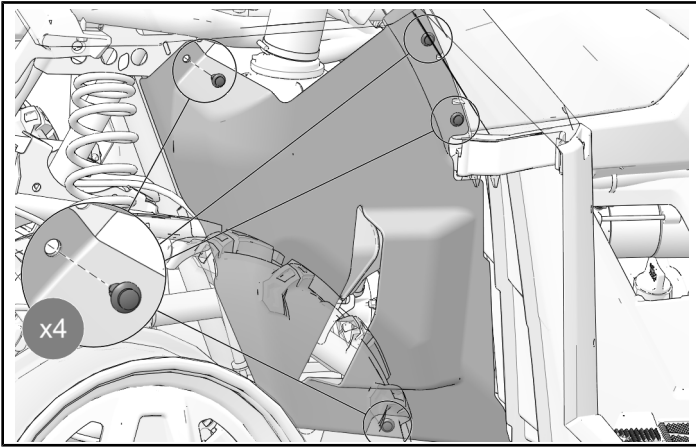
4. Install left hand upper side panel with four side panel push pin rivets.



5. Install seat. Make sure removal latch at the center rear of the seat engages seat.



6. Install left hand mud guard with four mud guard push pin rivets.



INSTRUCTION FEEDBACK FORM

A feedback form has been created for the installer to provide any comments, questions or concerns about the installation instructions. The form is viewable on mobile devices by scanning the QR code or by clicking [HERE](#) if viewing on a PC.

