

REAR ACCESSORY POWER HARNESS KIT



P/N 2889070

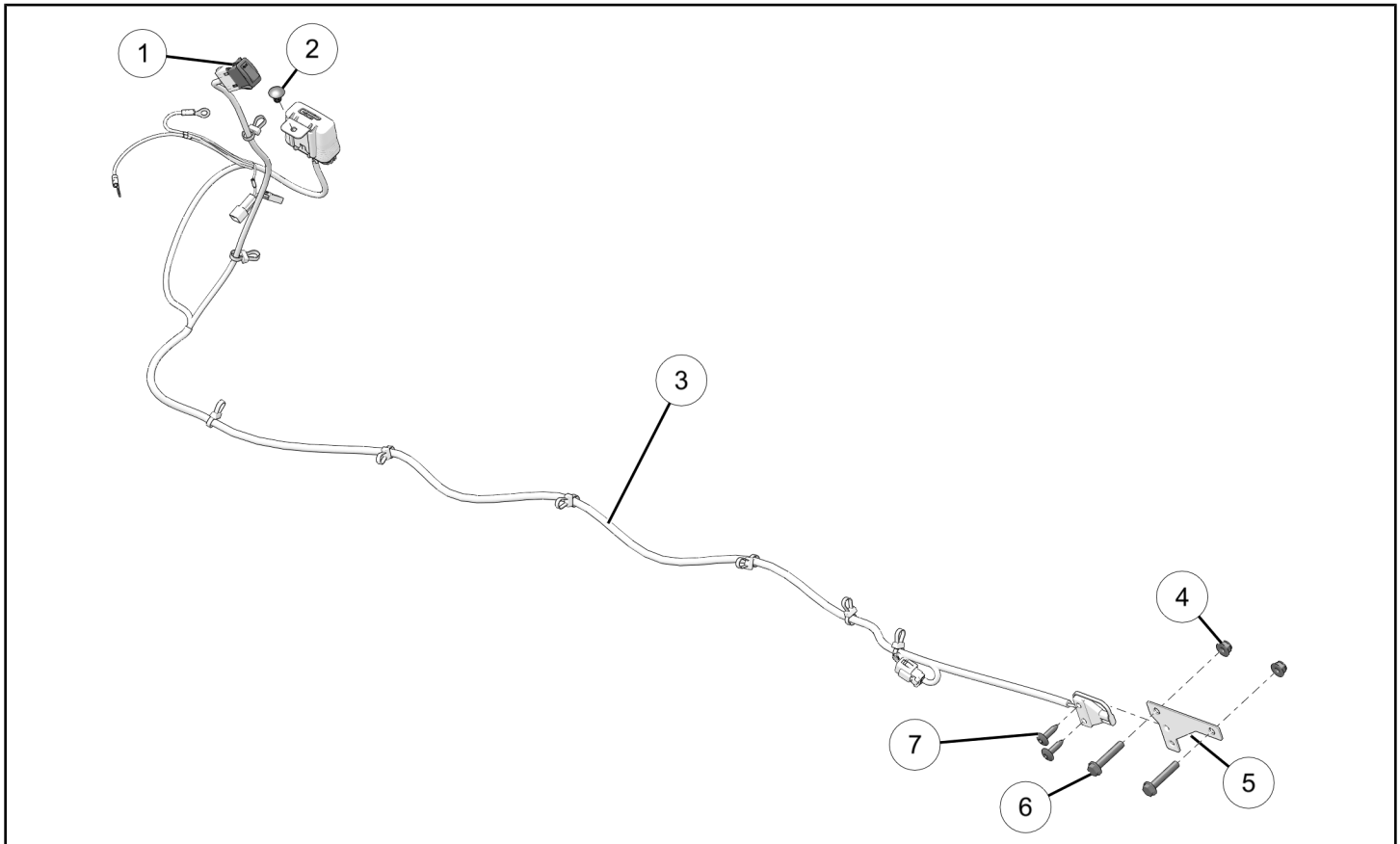
BEFORE YOU BEGIN

Read these instructions and check to be sure all parts and tools are accounted for. Please retain these installation instructions for future reference and parts ordering information.

APPLICATION

Verify accessory fitment at www.polaris.com.

KIT CONTENTS



REF	QTY	PART DESCRIPTION	P/N AVAILABLE SEPARATELY	AVAILABLE SERVICE KIT
1	1	Switch – On/Off	4016371	n/a
2	1	Clip – Plastic Dart	n/a	2208943
3	1	Harness – Accessory Power, Rear	2415619	n/a
4	2	Nut – Hex Flange, 5/16 - 18 in	n/a	2208943
5	1	Bracket, Black	5258789-067	n/a
6	2	Screw – Hex Flange, 5/16 - 18 x 1.75 in	n/a	2208943
7	2	Screw – Truss Head Torx® 1/4 - 20 x 1 in	n/a	2208943

TOOLS REQUIRED

- Safety Glasses
- Pliers, Push Pin Rivet
- Pliers, Side Cutting
- Socket Set, Metric
- Socket Set, SAE
- Socket Set, Torx® Bit
- Torque Wrench
- Wrench Set, Metric
- Wrench Set, SAE

IMPORTANT

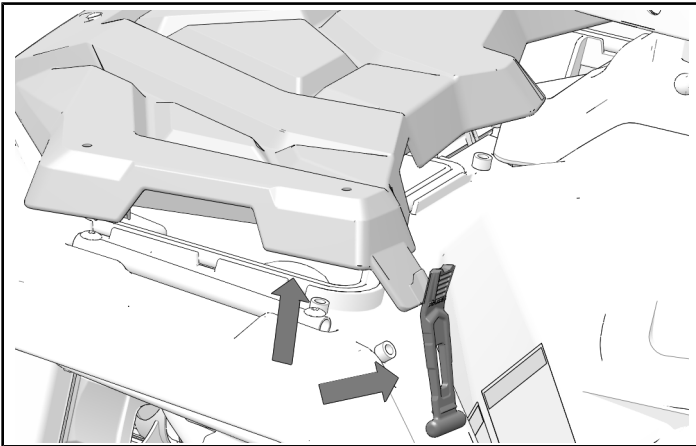
Your Rear Accessory Power Harness Kit is exclusively designed for your vehicle. Please read the installation instructions thoroughly before beginning. Installation is easier if the vehicle is clean and free of debris. For your safety, and to ensure a satisfactory installation, perform all installation steps correctly in the sequence shown.

INSTALLATION INSTRUCTIONS

VEHICLE PREPARATION

GENERAL

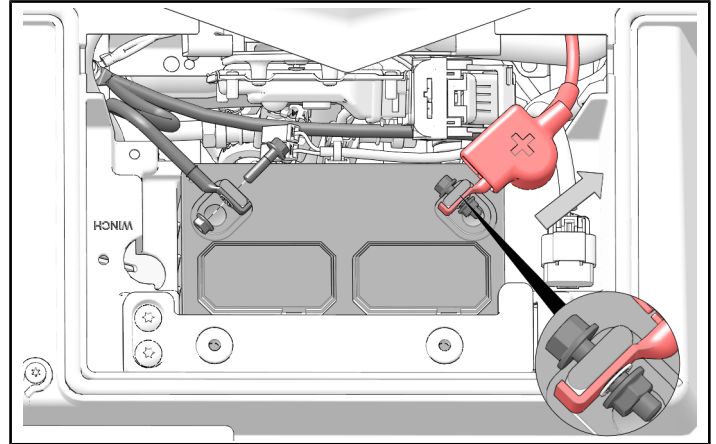
1. Park vehicle on a flat surface.
2. Push engine stop switch to OFF position.
3. Turn key to OFF position and remove key.
4. Release rubber latch on both sides and open front rack.



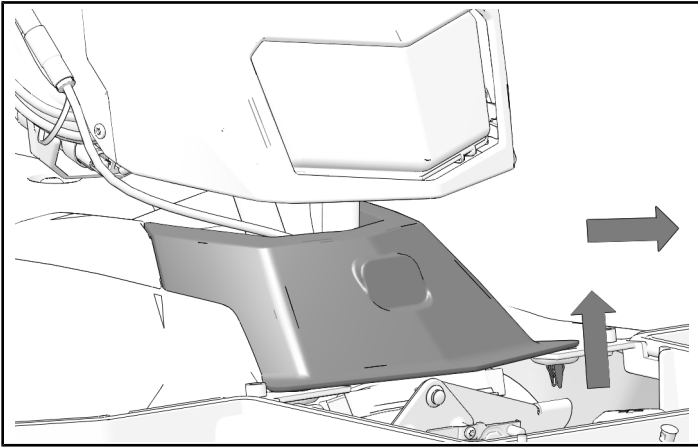
5. Remove nut from black negative (-) battery cable and disconnect negative battery cable. Move boot off red positive (+) battery cable. Remove nut from red positive battery cable and disconnect positive battery cable.

⚠ WARNING

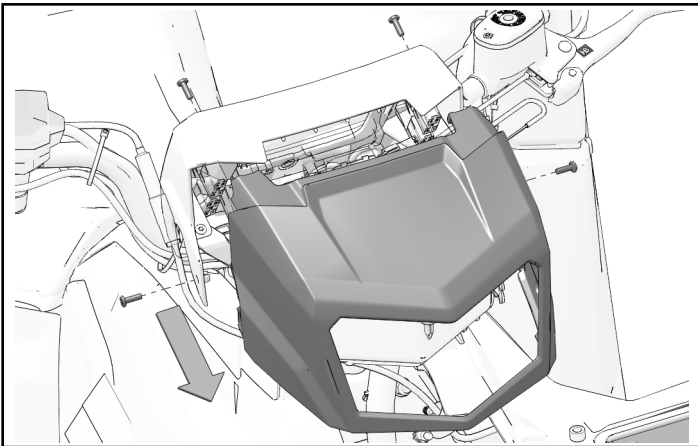
Always disconnect black negative (-) cable from battery FIRST. Failure to do so will result in high current electrical arc and may result in battery explosion if tool touches grounded frame. Death or serious personal injury may occur.



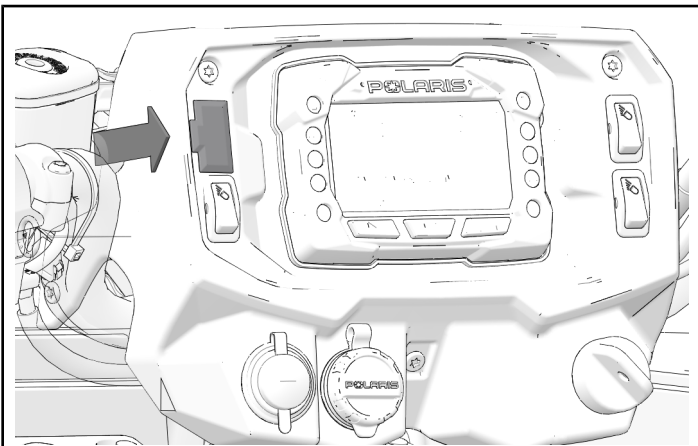
6. Remove front center cover. Lift up to release lower tabs, then pull forward.



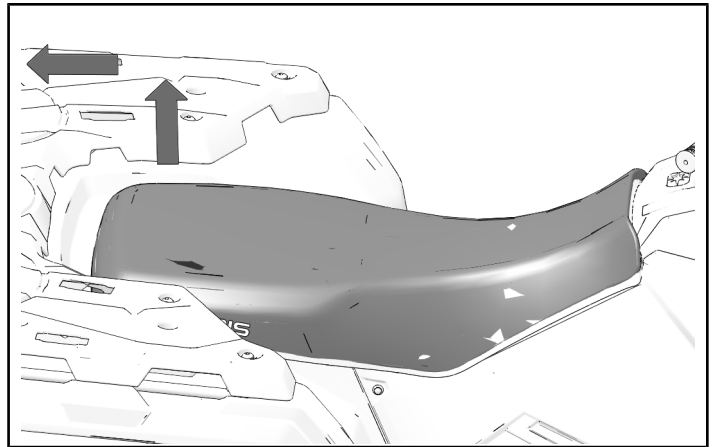
7. Remove and keep four headlight pod screws. Remove front portion of pod.



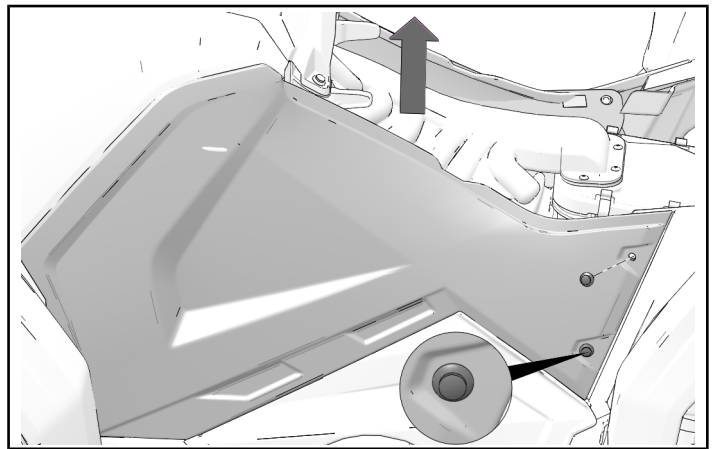
8. Remove switch plug cover from rear headlight pod.



9. Remove seat. Lift up on rear of seat and pull back.

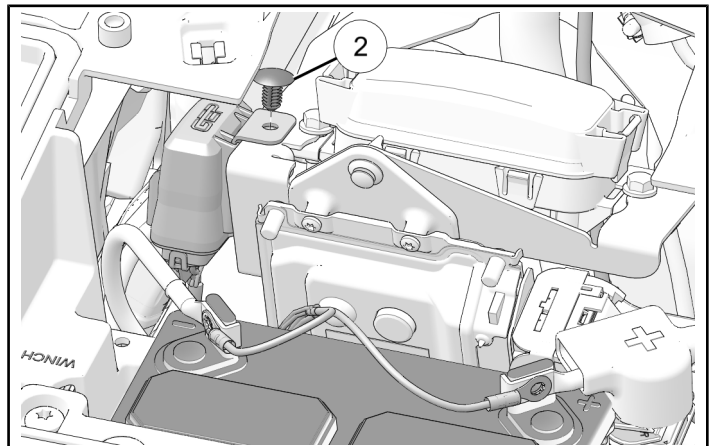


10. Remove and keep two push pin rivets from left hand side panel. Slide panel up and out.

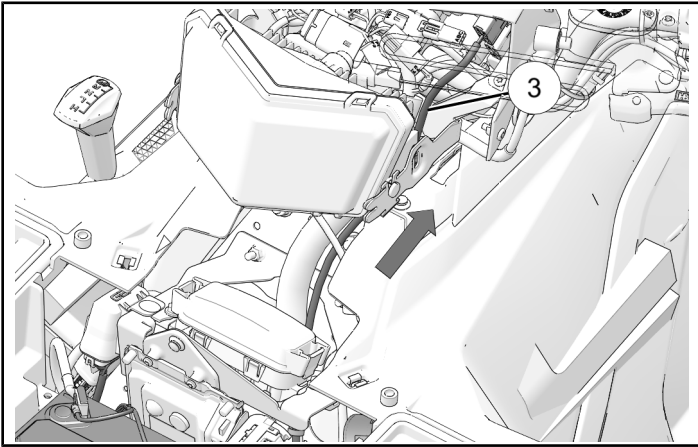


ACCESSORY INSTALLATION

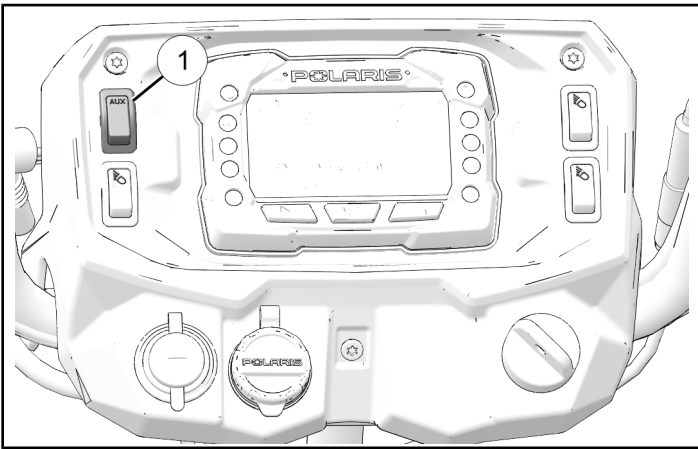
1. Install fuse block of wire harness with push dart ②.



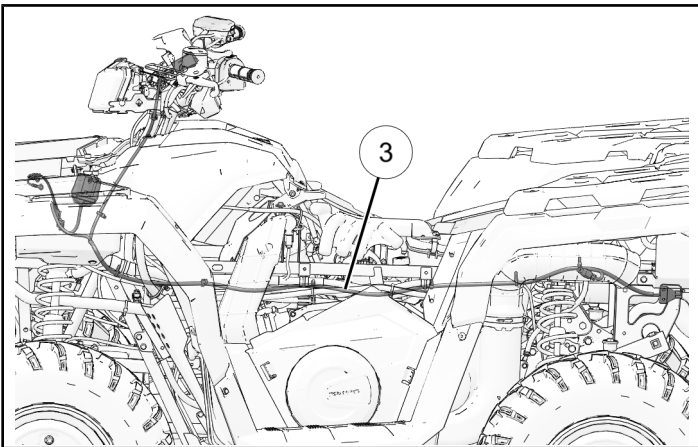
2. Put wire harness ③ switch plug connector end up along the main wire harness to rear headlight pod.



3. Install power switch ① and plug connector into switch.



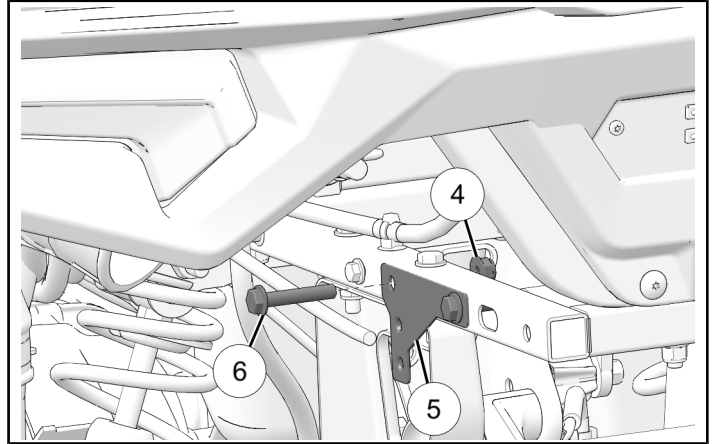
4. Put wire harness ③ on the backside of battery and along left hand side of upper frame rail. Attach accessory harness to chassis harness with cable ties installed on accessory harness.



5. Install bracket ⑤ to vehicle frame with two screws ⑥ and two nuts ④. Counter-hold nuts and torque to specification.

TORQUE

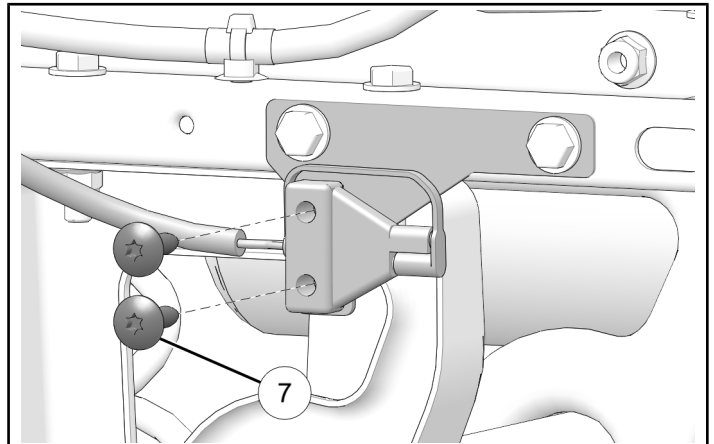
Bracket Screw ⑥:
13 ft-lbs (17 N·m)



6. Attach connector to bracket with two screws ⑦. Torque to specification.

TORQUE

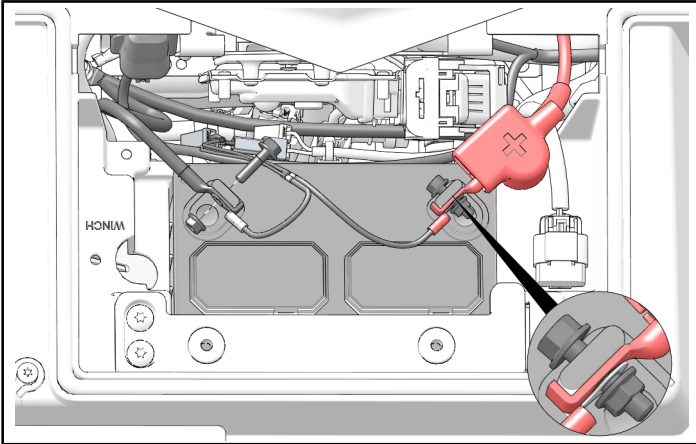
Connector Screw ⑦:
76 in-lbs (8 N·m)



7. Install screw and nut to red positive (+) battery cable and red positive (+) harness cable. Move boot on to red positive battery cable. Install screw and nut to black negative (-) battery cable and black negative (-) harness cable.

TORQUE

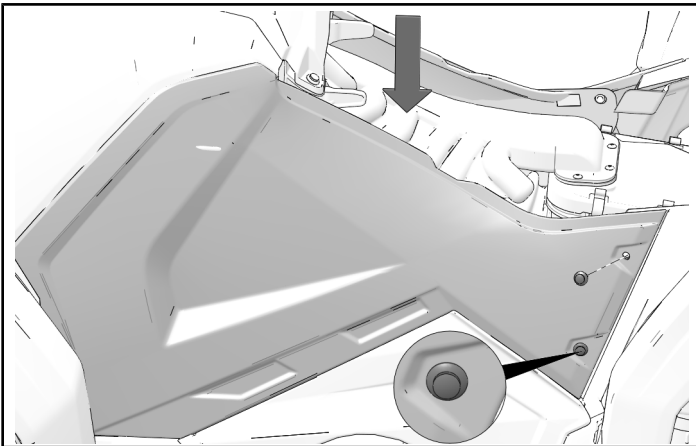
Battery Screw:
60 in-lbs (6 N·m)



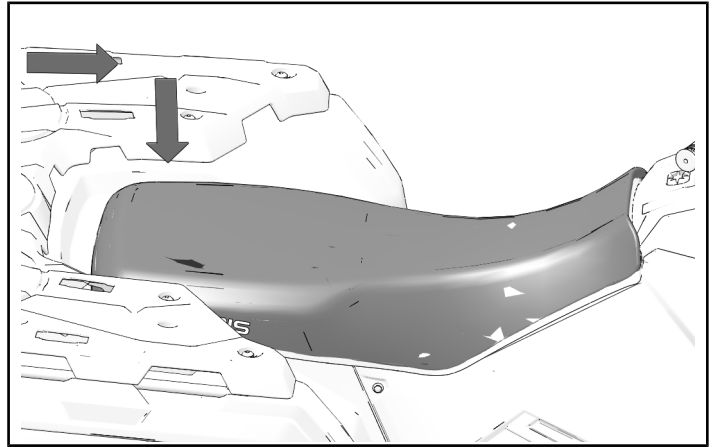
VEHICLE REASSEMBLY

GENERAL

1. Put left hand side panel into place and attach with two push pin rivets.



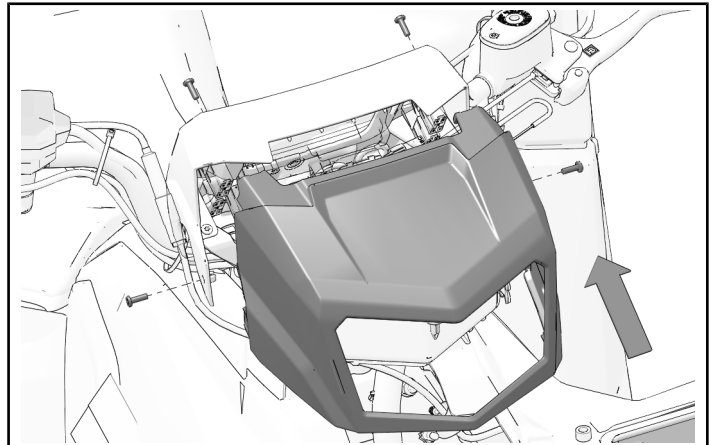
2. Install seat.



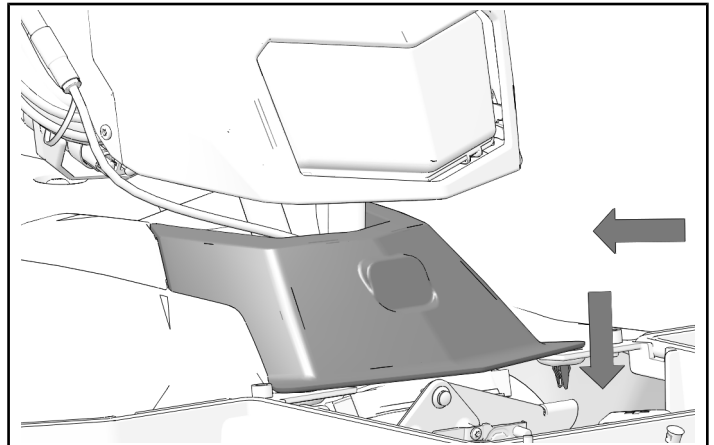
3. Install front portion of headlight pod with four pod screws. Torque to specification.

TORQUE

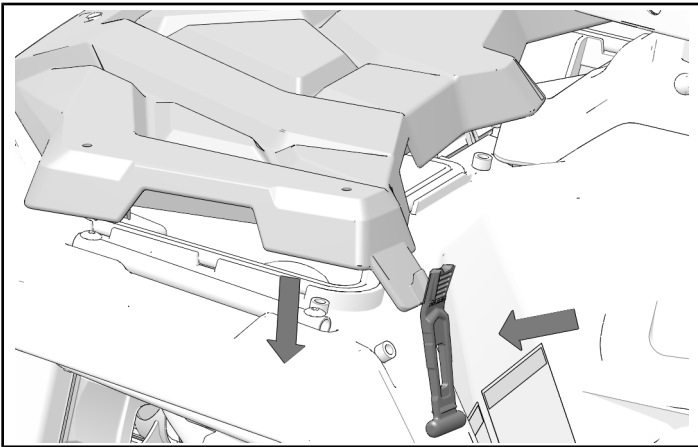
Headlight Pod Screw:
10 in-lbs (1 N·m)



4. Align front center cover and push down to engage lower tabs.



5. Close front rack and attach rubber latches on both sides.



INSTRUCTION FEEDBACK FORM

A feedback form has been created for the installer to provide any comments, questions or concerns about the installation instructions. The form is viewable on mobile devices by scanning the QR code or by clicking [HERE](#) if viewing on a PC.

