

DASH WINCH SWITCH KIT



P/N 2889050

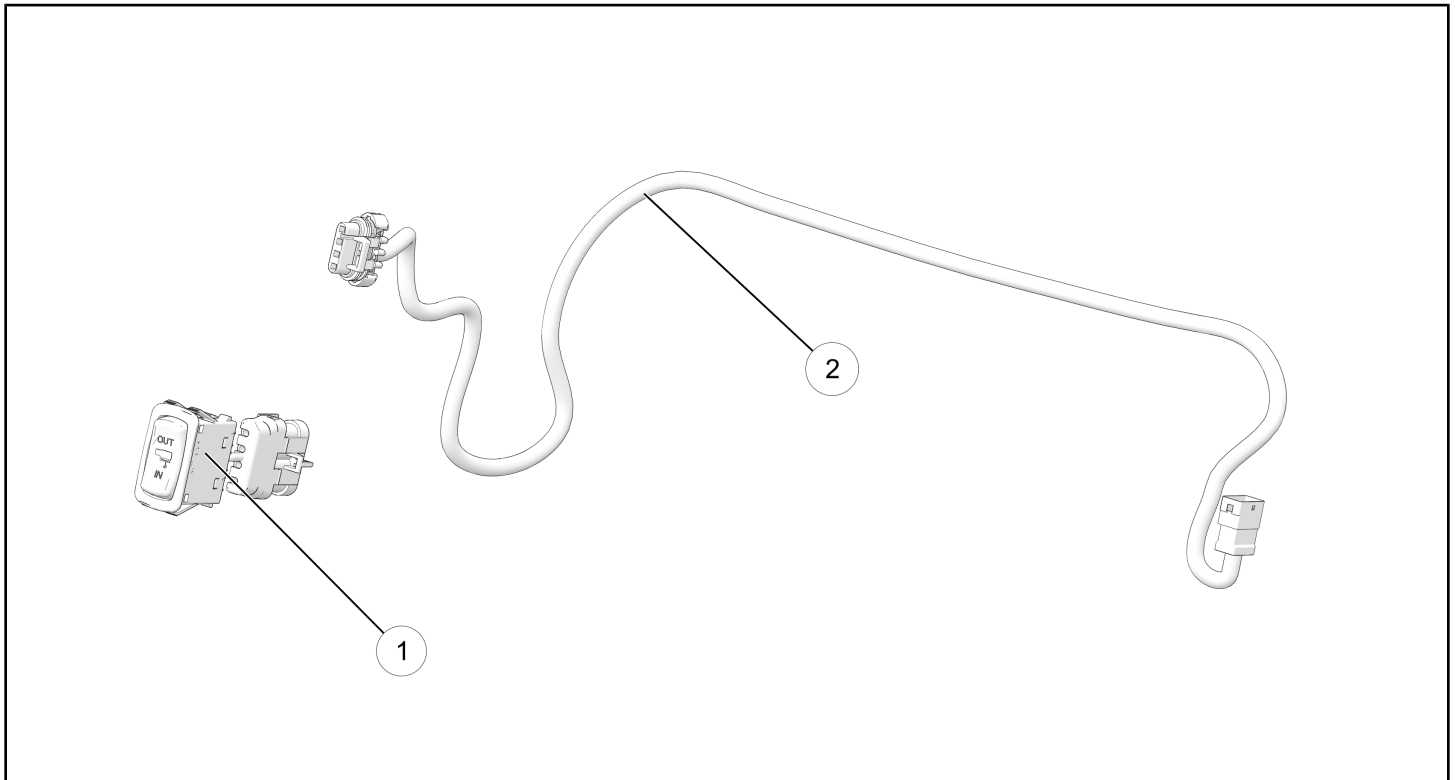
BEFORE YOU BEGIN

Read these instructions and check to be sure all parts and tools are accounted for. Please retain these installation instructions for future reference and parts ordering information.

APPLICATION

Verify accessory fitment at www.polaris.com.

KIT CONTENTS



REF	QTY	PART DESCRIPTION	P/N AVAILABLE SEPARATELY
1	1	Winch Switch	4017200
2	1	Winch Jumper Cable	2415055

TOOLS REQUIRED

- Safety Glasses
- Pliers, Push Pin Rivet
- Cutting Tool

IMPORTANT

Your Dash Winch Switch Kit is exclusively designed for your vehicle. Please read the installation instructions thoroughly before beginning. Installation is easier if the vehicle is clean and free of debris. For your safety, and to ensure a satisfactory installation, perform all installation steps correctly in the sequence shown.

INSTALLATION INSTRUCTIONS

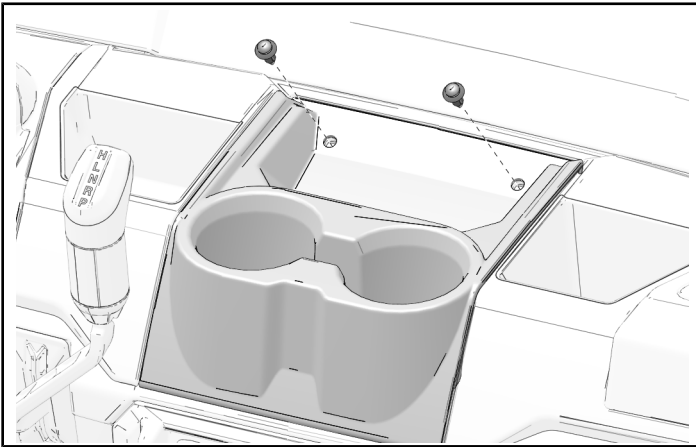
VEHICLE PREPARATION

GENERAL

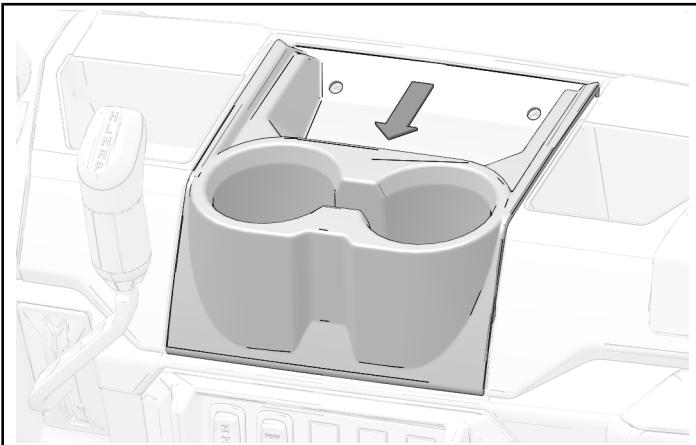
1. Park vehicle on a flat surface.
2. Shift vehicle into PARK.
3. Turn key to OFF position and remove key.

CUP HOLDER REMOVAL

1. Remove two push-pin rivets from cup holder.

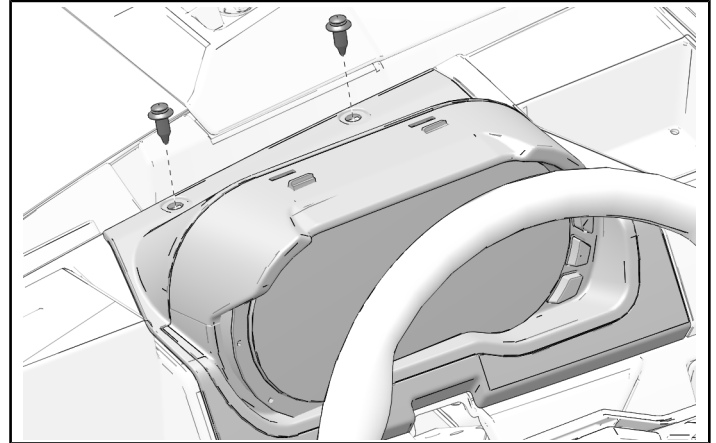


2. Remove cup holder from dashboard.

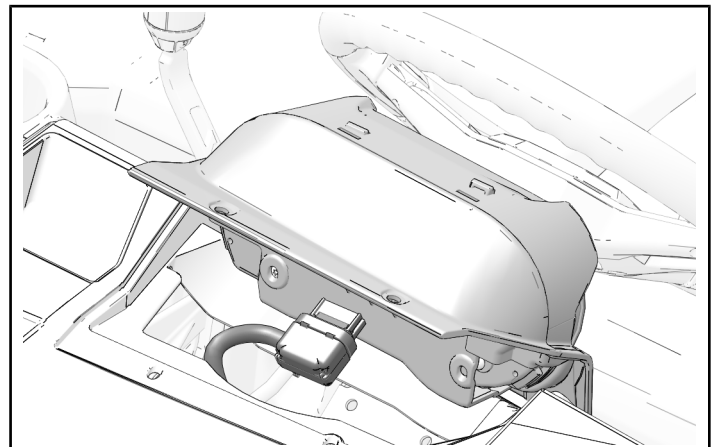


INSTRUMENT CLUSTER REMOVAL

1. Remove two push-pin rivets from instrument cluster bezel.

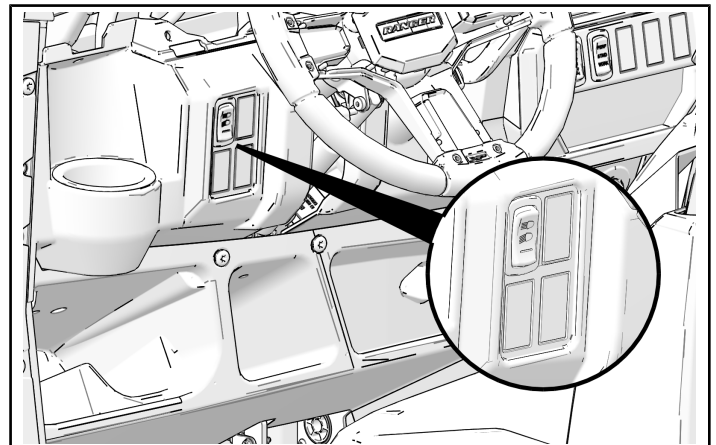


2. Tilt the instrument cluster towards the steering wheel and disconnect the instrument cluster from the chassis electrical harness.

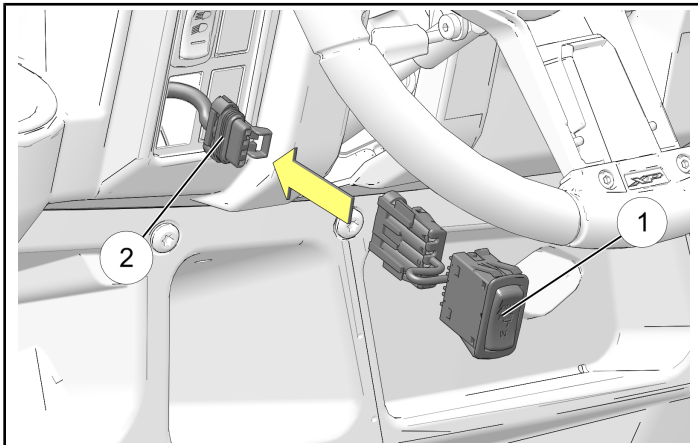


ACCESSORY INSTALLATION

1. Cut out one of the unoccupied spaces in the switch cluster to the left of the steering wheel. Cut along the *inside* edge of rectangular recessed marking.



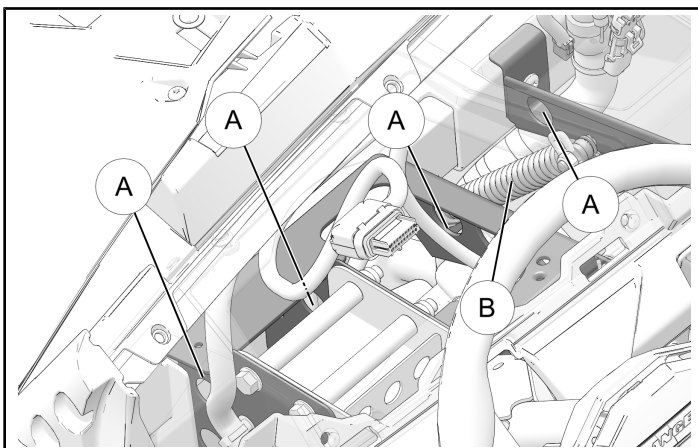
2. Pull the winch jumper cable ② through the rectangular cutout from inside the dash and connect to the winch switch ①. Once connected, push the switch into the rectangular cutout until fully seated with an audible click.



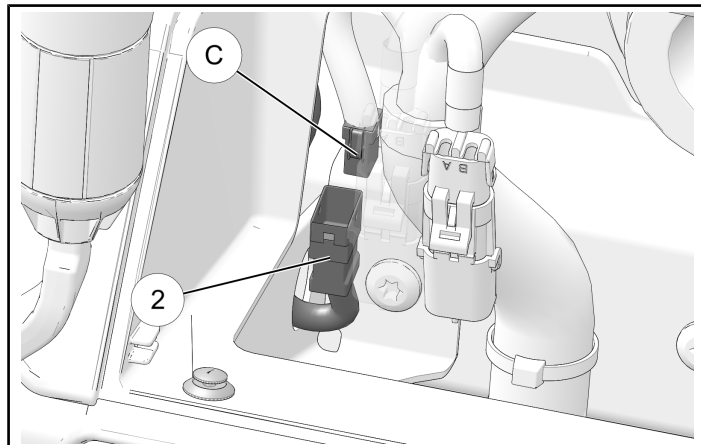
3. The other end of the jumper cable connects to the main harness at the center of the console. Route the jumper cable through the pre-made holes ① along the interior.

NOTE

Make sure the jumper cable routes over the gear selector cable ②, not under.



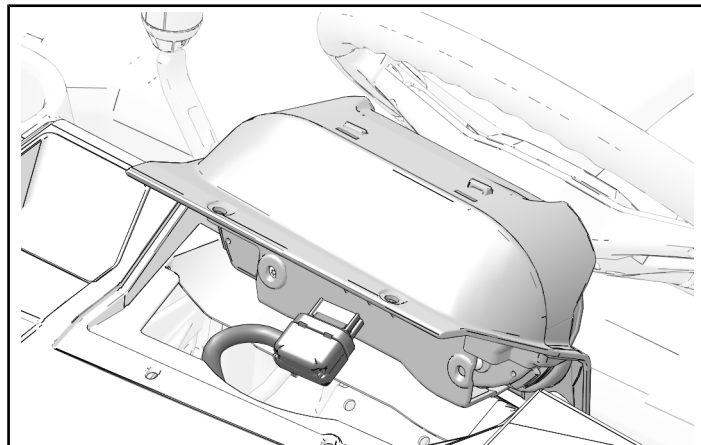
4. Attach the jumper cable ② to the winch connection ③ at the center of the console.



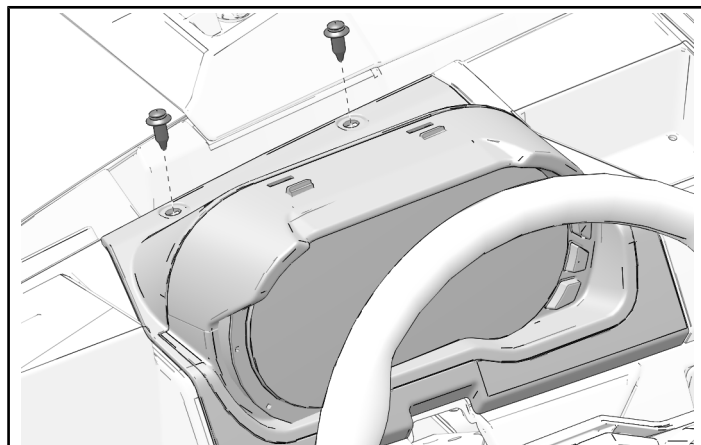
VEHICLE REASSEMBLY

INSTRUMENT CLUSTER INSTALLATION

1. Connect the instrument cluster to the chassis electrical harness.

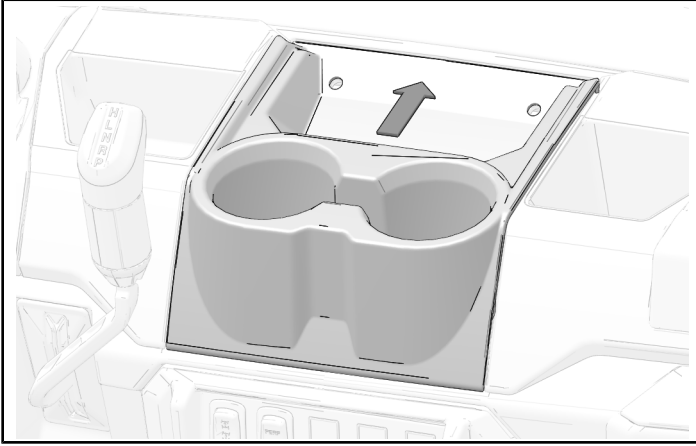


2. Install the instrument cluster bezel with two retained push-pin rivets.

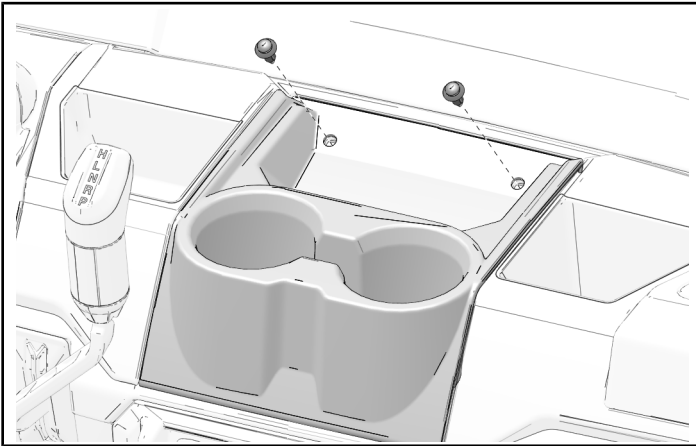


CUP HOLDER INSTALLATION

1. Put cup holder in vehicle.



2. Install cup holder with two retained push-pin rivets.



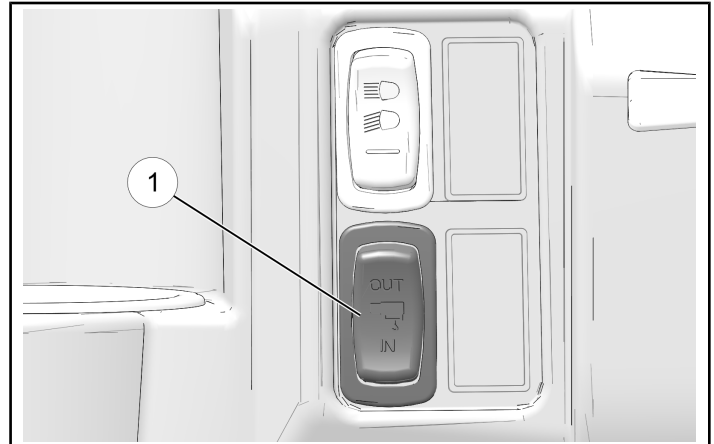
OPERATION

NOTE

The winch switch ① will only function if a winch has already been properly installed on the vehicle.

The winch switch ① has two functions that activate by pressing the top or bottom of the switch.

- Press the top of the switch (“OUT”) to spool line out from the winch.
- Press the bottom of the switch (“IN”) to spool line in to the winch.



INSTRUCTION FEEDBACK FORM

A feedback form has been created for the installer to provide any comments, questions or concerns about the installation instructions. The form is viewable on mobile devices by scanning the QR code or by clicking [HERE](#) if viewing on a PC.

