

VENTED GLASS WINDSHIELD KIT



P/N 2889019

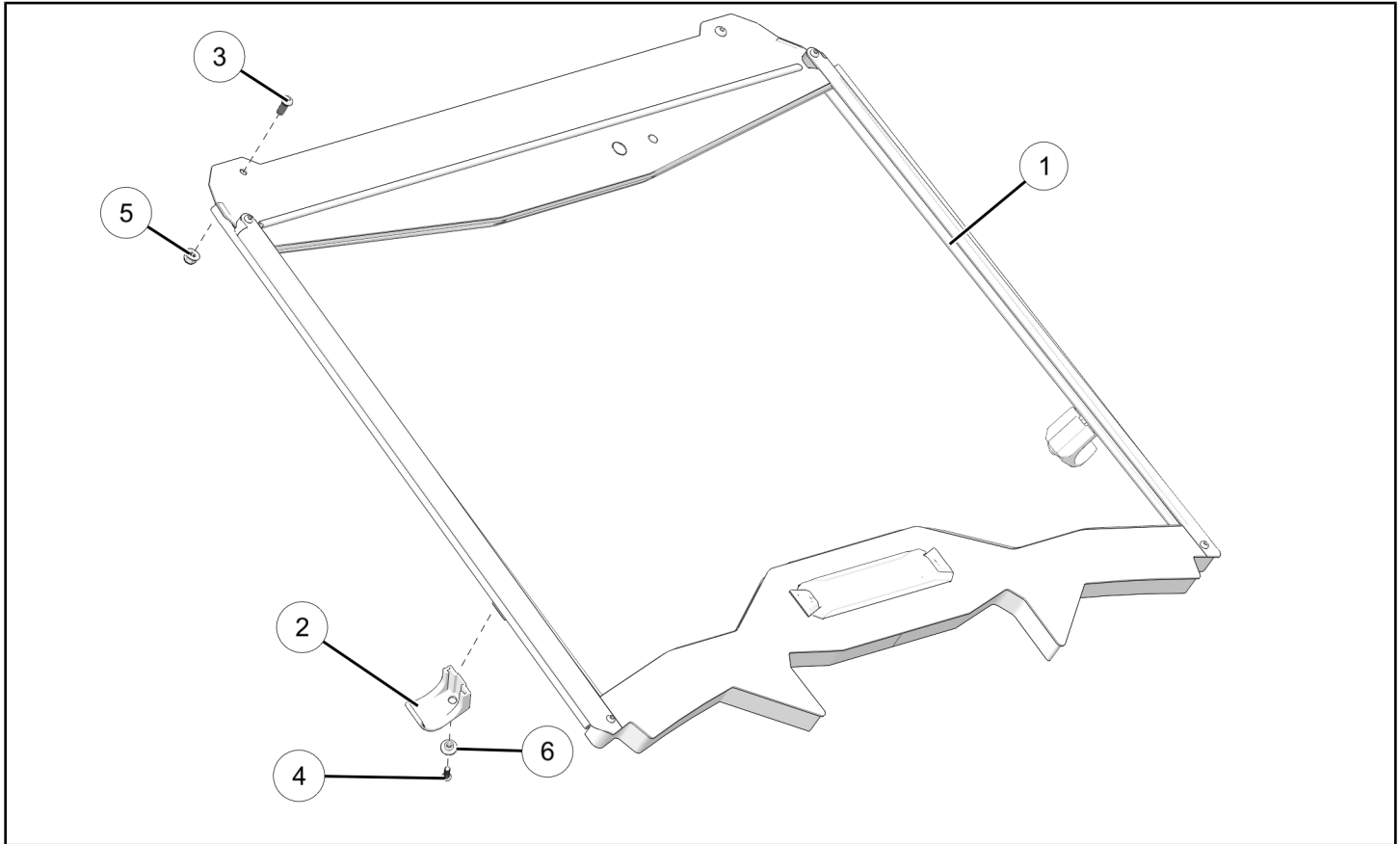
BEFORE YOU BEGIN

Read these instructions and check to be sure all parts and tools are accounted for. Please retain these installation instructions for future reference and parts ordering information.

APPLICATION

Verify accessory fitment at www.polaris.com.

KIT CONTENTS



REF	QTY	PART DESCRIPTION	P/N AVAILABLE SEPARATELY	AVAILABLE SERVICE KIT
1	1	Assembly – Glass Windshield, Vented	2638239	n/a
2	2	Clamp – Glass Windshield	5457906	2208784
3	2	Screw-Cap, M8 x 1.0 mm x 20	n/a	2208784
4	2	Screw-Cap, M6 x 1.0 x 20	n/a	2208784
5	2	Nut-Hex Flange, M8 x 1.0	n/a	2208784
6	2	Flange Sleeve	n/a	2208784
7	1	Trim-Roof, Windshield, Glass (not shown)	n/a	n/a

TOOLS REQUIRED

- Safety Glasses
- Socket Set, Metric
- Torque Wrench
- Wrench Set, Metric

IMPORTANT

Your Vented Glass Windshield Kit is exclusively designed for your vehicle. Please read the installation instructions thoroughly before beginning. Installation is easier if the vehicle is clean and free of debris. For your safety, and to ensure a satisfactory installation, perform all installation steps correctly in the sequence shown.

INSTALLATION INSTRUCTIONS

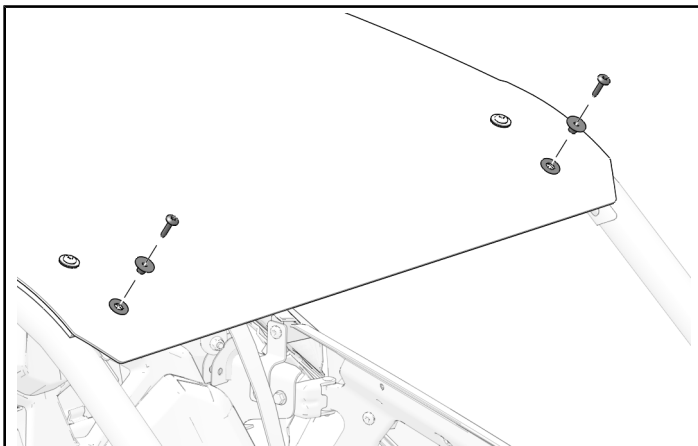
NOTICE

Two installers are recommended for this installation.

VEHICLE PREPARATION

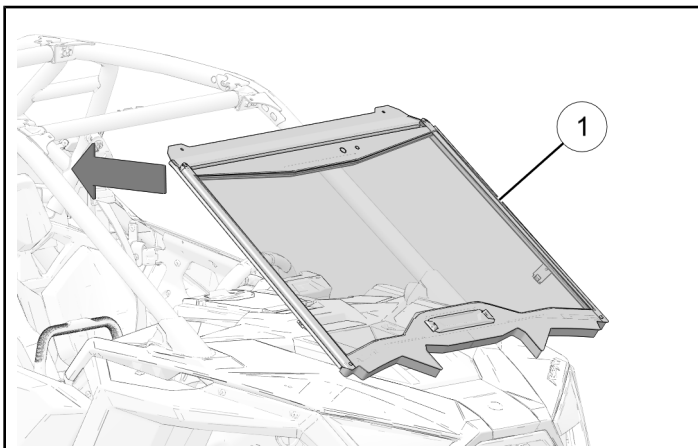
GENERAL

1. Shift vehicle transmission into PARK. Turn key to OFF position and remove from vehicle.
2. **Aluminum Roof-equipped vehicles:**
Remove and retain hardware from two front-most locations. Hardware will be used to install windshield.



ACCESSORY INSTALLATION

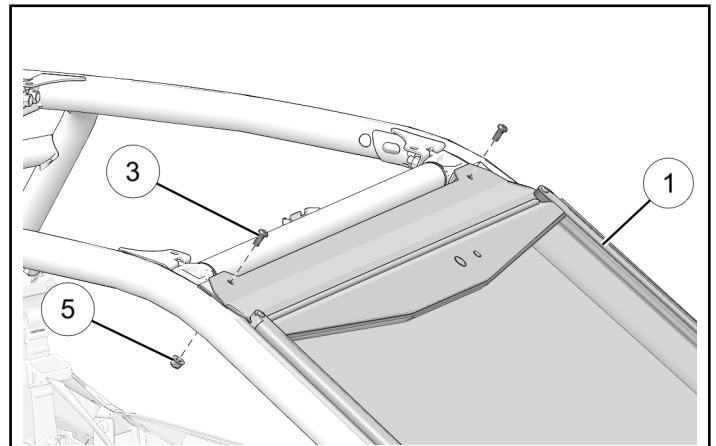
1. Place windshield ① atop hood and lean against ROPS.



2. Install top of windshield ① to ROPS brackets.
 - Use two fasteners ③ and two nuts ⑤.

TORQUE

Top Mounting Fasteners ③:
16 ft-lbs (22 N·m)

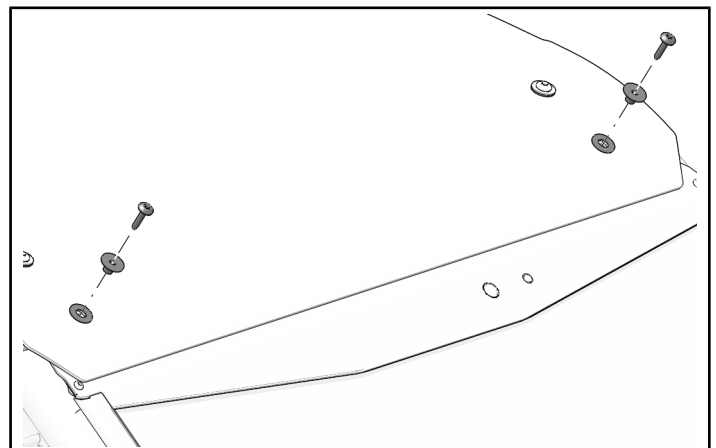


- **Aluminum Roof-equipped vehicles:**

Use roof hardware for this mounting location. Ensure Windshield mounting bracket is installed between roof and ROPS.

TORQUE

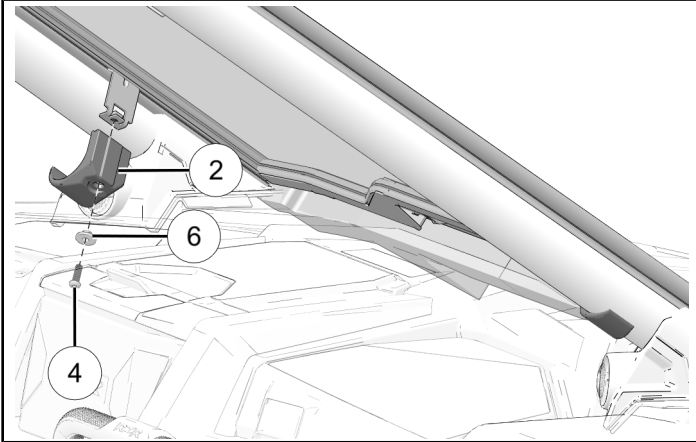
Roof Fasteners:
11 ft-lbs (15 N·m)



3. Slide two windshield clamps ② onto windshield frame. With clamps ② tightly wrapped around ROPS, secure to windshield frame with two flange sleeves ⑥ and two fasteners ④.

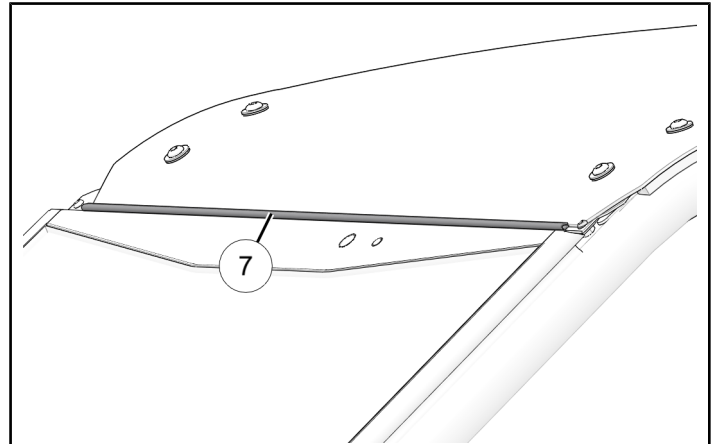
TORQUE

Clamp Fasteners ④:
8 ft-lbs (11 N·m)



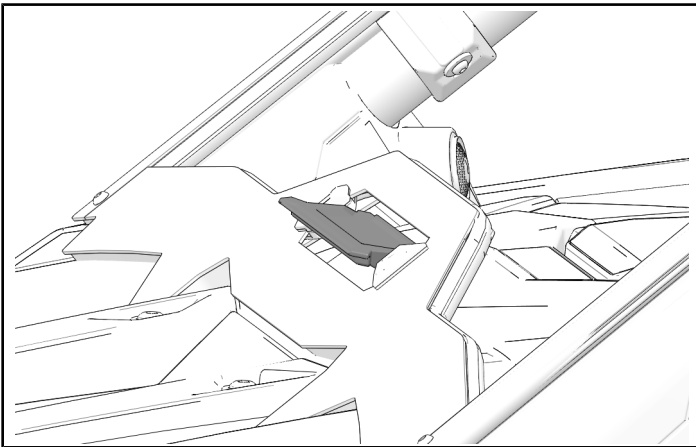
4. **Aluminum Roof-equipped vehicles:**

Install trim piece ⑦ onto front edge of roof to prevent contact between windshield and roof.

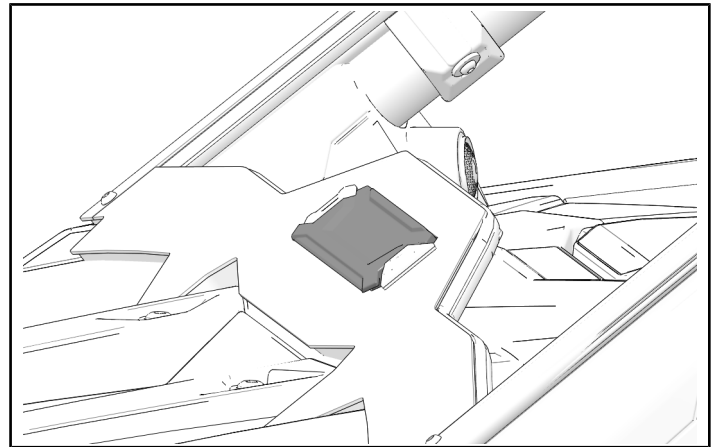


VENT OPERATION

To allow airflow through the vent, from inside the vehicle push on the bottom of the vent flap until it opens.



To restrict airflow through the vent, from inside the vehicle push on the top of the vent flap until it closes.



INSTRUCTION FEEDBACK FORM

A feedback form has been created for the installer to provide any comments, questions or concerns about the installation instructions. The form is viewable on mobile devices by scanning the QR code or by clicking [HERE](#) if viewing on a PC.

