

AMPLIFIER UPGRADE KIT



P/N 2884908

BEFORE YOU BEGIN

Read these instructions and check to be sure all parts and tools are accounted for. Please retain these installation instructions for future reference and parts ordering information.

APPLICATION

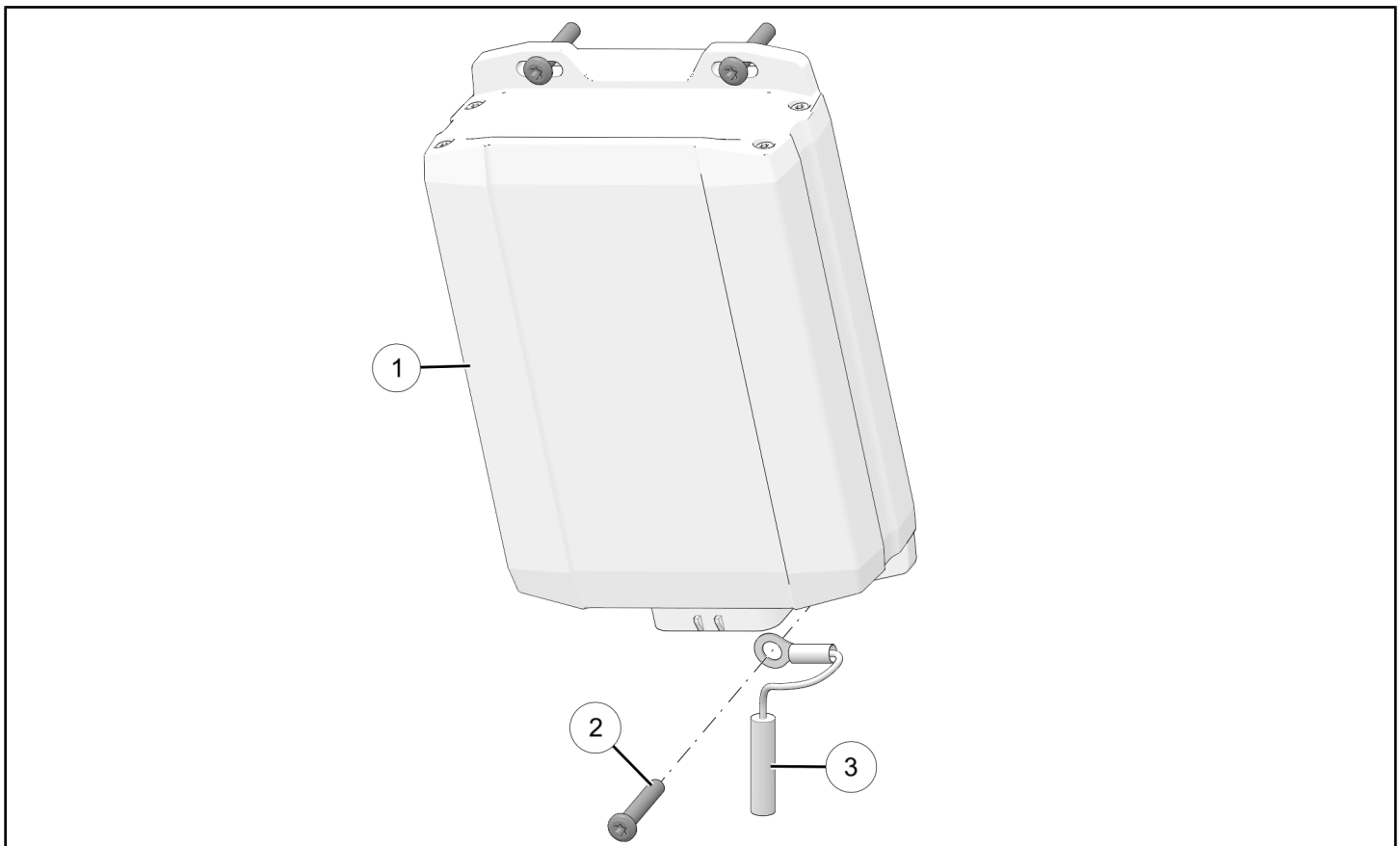
Verify accessory fitment at www.polaris.com.

REQUIRED SOLD SEPARATELY

Only parts for installation of the Amplifier Upgrade Kit are included. For complete installation, the following additional kit is required (sold separately):

- Factory-installed PMX Audio or *PMX Audio Kit*, P/N 2884908

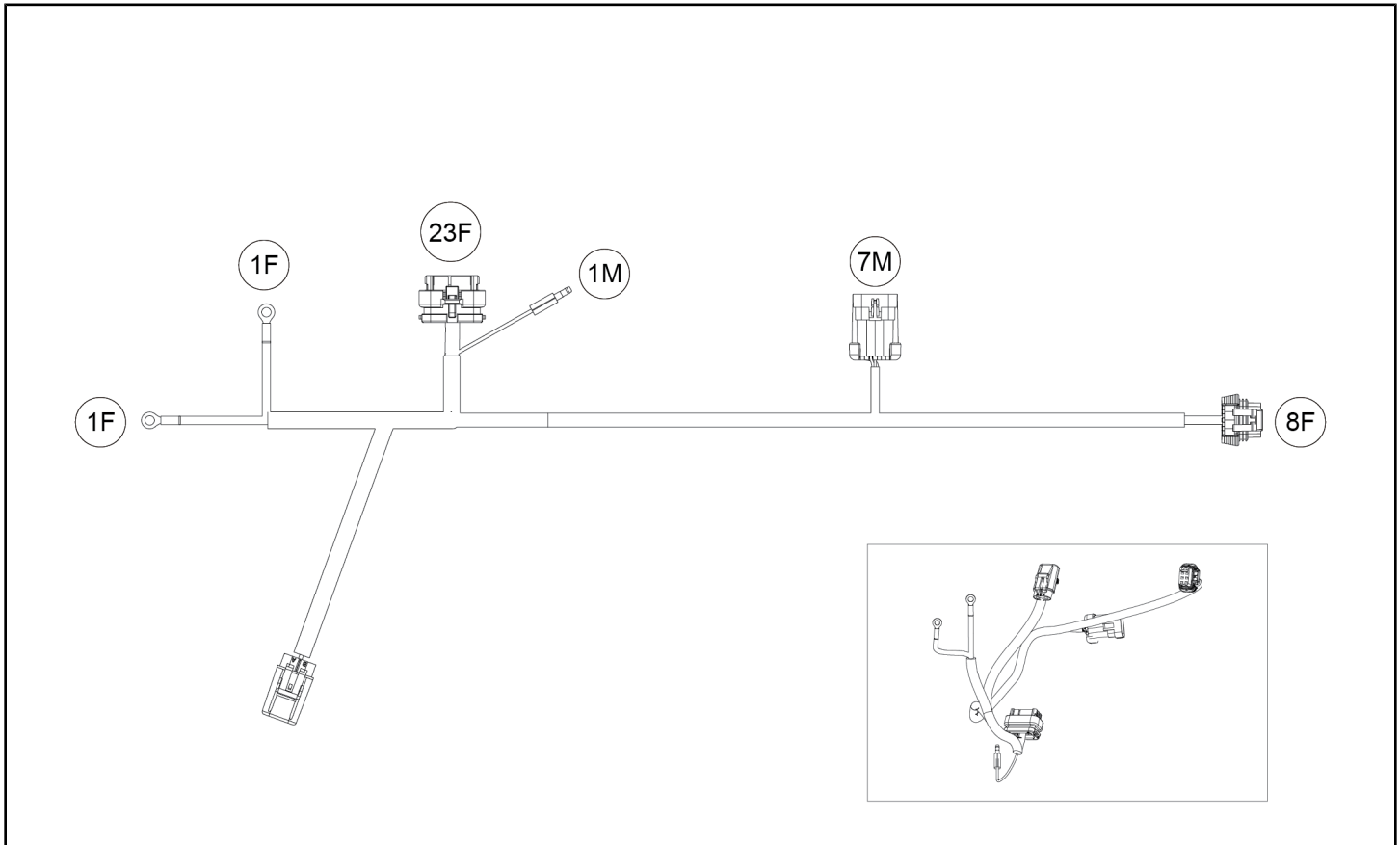
KIT CONTENTS



REF	QTY	PART DESCRIPTION	P/N AVAILABLE SEPARATELY
1	1	Assembly–Amplifier	2414533
2	1	Harness–Audio, Amplifier Upgrade (see <i>Harness Detail</i>)	2415467
3	1	Harness–Jumper, Amplifier Ground	4018709
4	4	Screw–Torx® Pan Head, M10 x 1.0 x 12 mm	7512078

HARNES DETAIL

AMPLIFIER HARNES ②



REF	PART DESCRIPTION	CONNECTS TO
1F	Ring Terminal–Positive, Red (+)	Polaris Pulse® Bar
1F	Ring Terminal–Ground, Black (–)	Polaris Pulse® Bar
23F	Connector–Amplifier	Audio Amplifier ①
1M	Connector–Bullet	Jumper Harness ③
7M	Connector–Line Level	Factory-installed PMX Audio or <i>PMX Audio Kit</i> , P/N 2884908
8F	Connector–Output, Amplifier	Factory-installed PMX Audio or <i>PMX Audio Kit</i> , P/N 2884908

Example: 16F = 16 pin, Female / 16M = 16 pin, Male (Male terminal fits inside female terminal)

TOOLS REQUIRED

- Safety Glasses
- Pliers, Push Pin Rivet
- Screwdriver Set, Torx®
- Socket Set, Metric
- Socket Set, Torx® Bit
- Torque Wrench
- Wrench Set, Metric

IMPORTANT

Your Amplifier Upgrade Kit is exclusively designed for your vehicle. Please read the installation instructions thoroughly before beginning. Installation is easier if the vehicle is clean and free of debris. For your safety, and to ensure a satisfactory installation, perform all installation steps correctly in the sequence shown.

INSTALLATION INSTRUCTIONS

VEHICLE PREPARATION

GENERAL

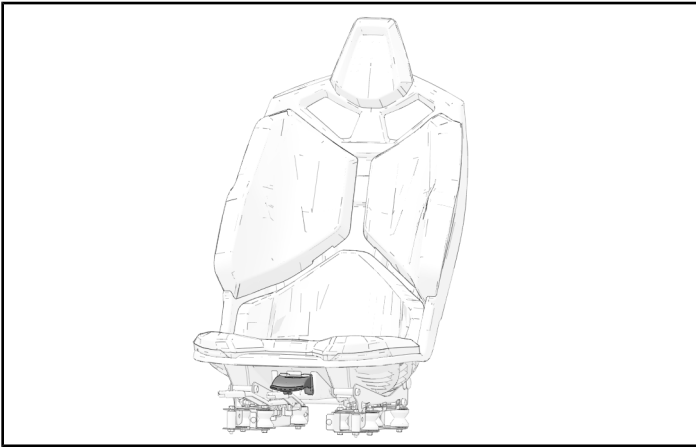
1. Shift vehicle transmission into PARK.
2. Turn key to OFF position and remove from vehicle.

FRONT SEAT REMOVAL

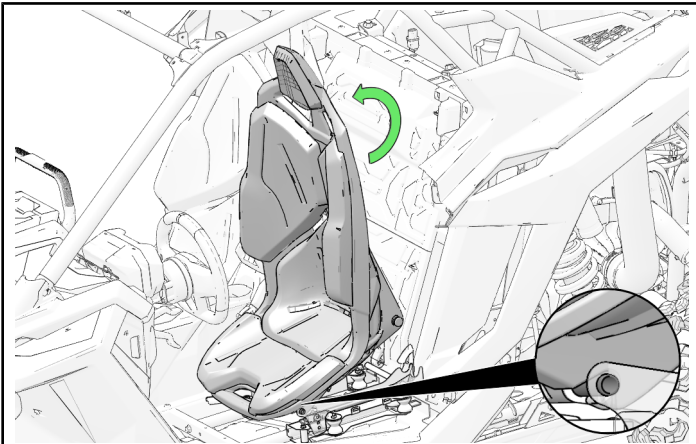
NOTICE

Driver seat shown; passenger seat similar.

1. Pull up on lever, located below front of seat.

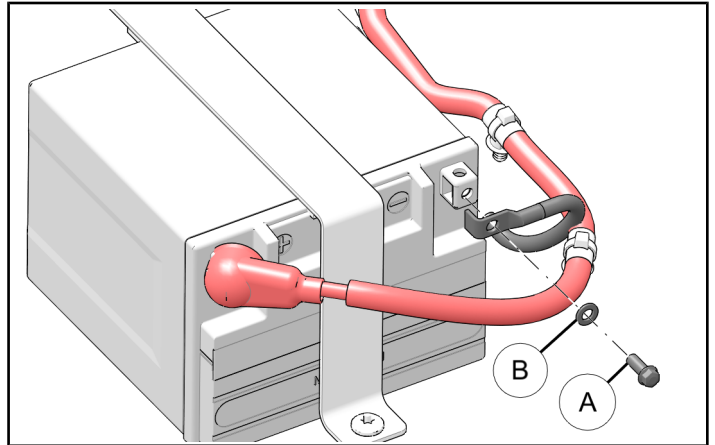


2. Tilt seat assembly forward and pull back slightly to disengage from receiver tube and remove seat from vehicle.



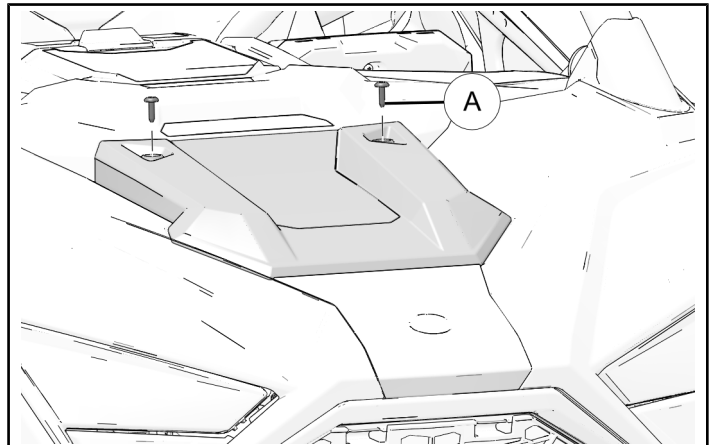
BATTERY DISCONNECT

1. Remove and retain battery terminal (A) and washer (B) to remove negative battery cable (BLACK).



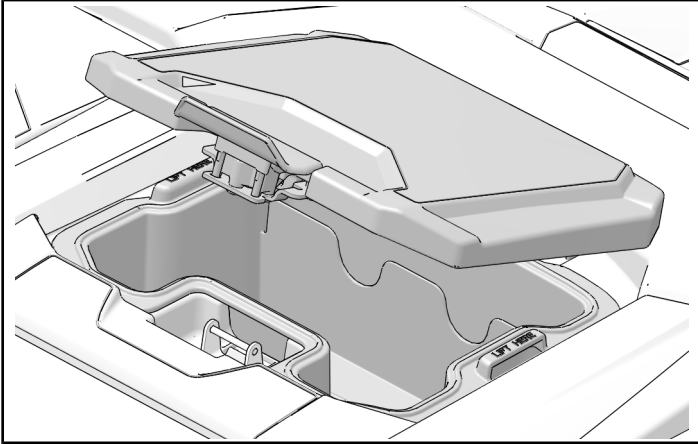
CENTER HOOD PANEL REMOVAL

1. Remove and retain two hood fasteners (A). Slide hood towards rear of vehicle to remove.



DASHBOARD STORAGE REMOVAL

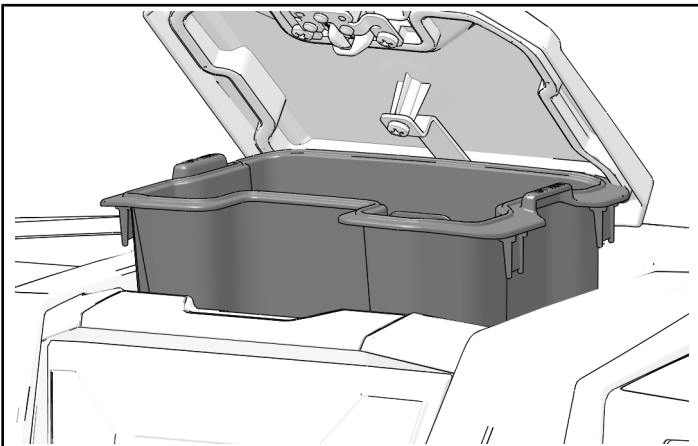
1. Open center dashboard storage compartment.



2. Remove storage compartment from dashboard.

TIP

If removing storage compartment is difficult, carefully use tool to pry storage compartment upwards where marked "LIFT HERE."

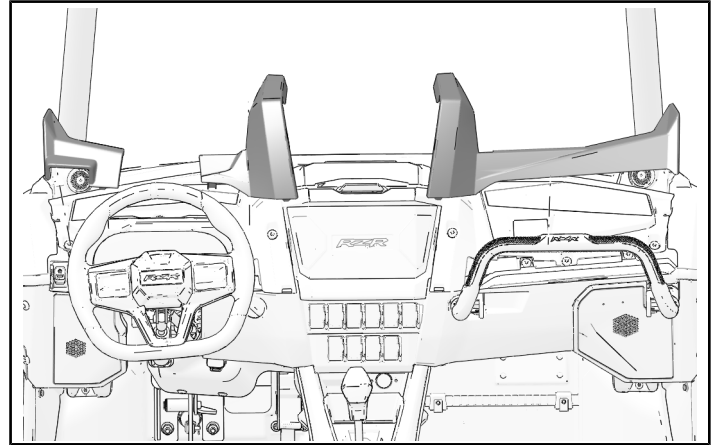


DASHBOARD TOP REMOVAL

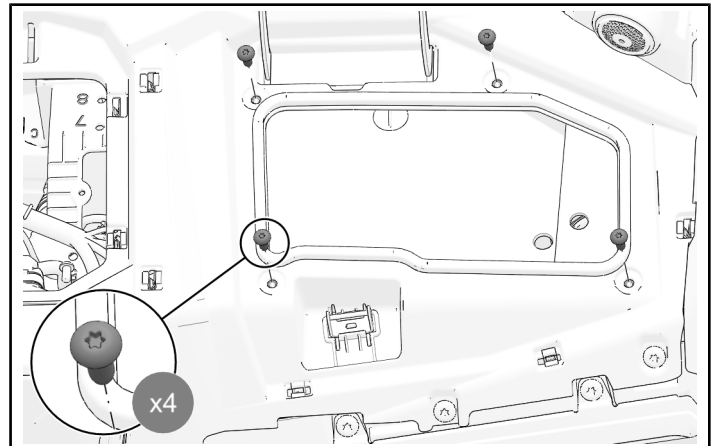
1. Carefully pull up to remove left, center, and right dashboard trim pieces.

TIP

Release steering tilt lock for improved access.



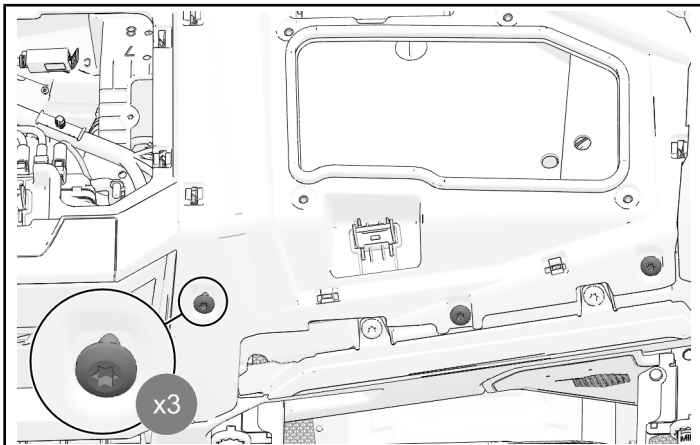
2. Open glove box lid. Remove and retain four dashboard fasteners around glove box opening.



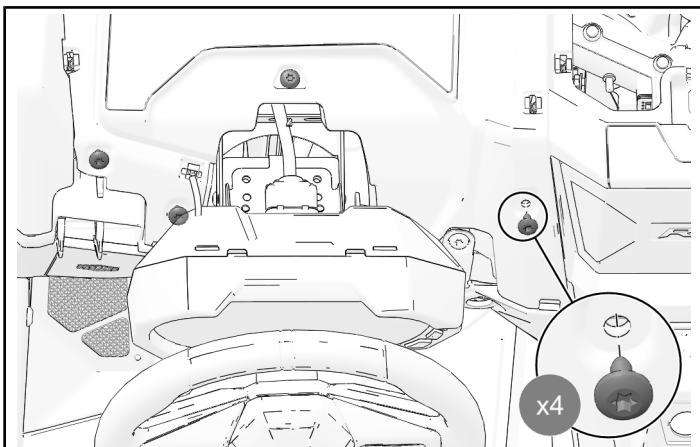
3. Remove and retain three front dashboard fasteners around glove box opening.

TIP

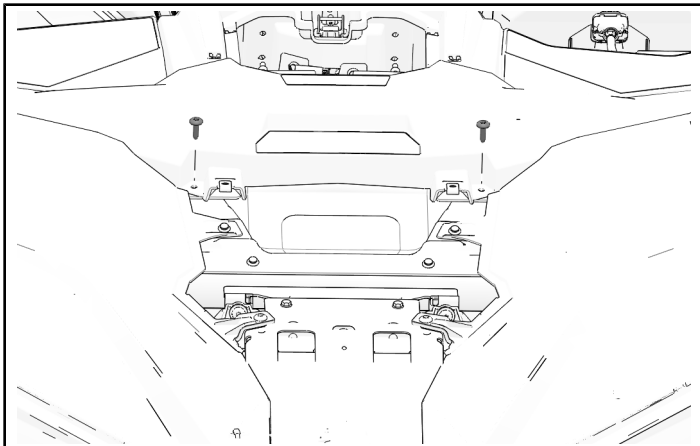
Make note of different screw sizes in steps 2 and 3.



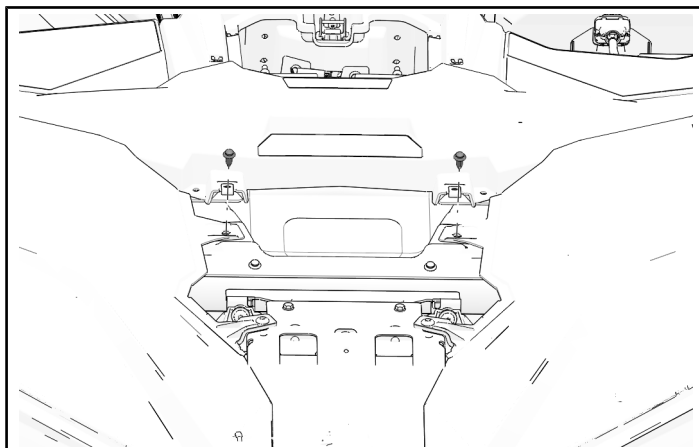
4. Tilt steering wheel down. Remove and retain four dashboard fasteners from dashboard surrounding steering wheel.



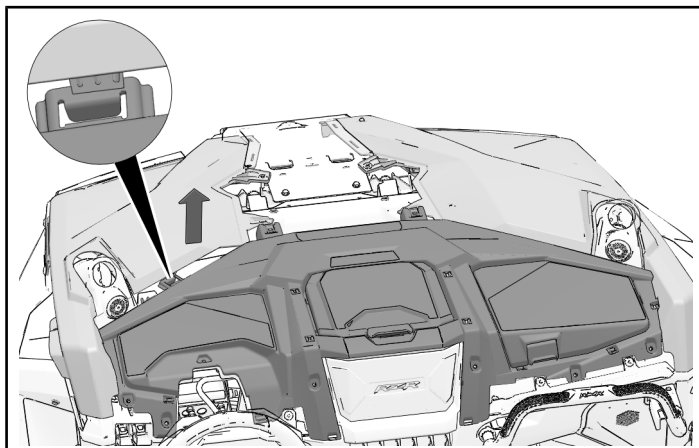
5. Remove and retain two dashboard fasteners from front of vehicle.



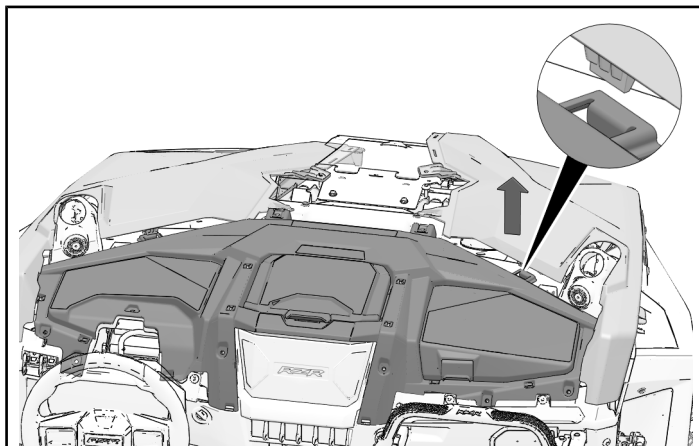
6. Remove and retain two push-pin rivets from front side hood panels.



7. Carefully lift edge of left front hood panel to release tab from dashboard top as shown.



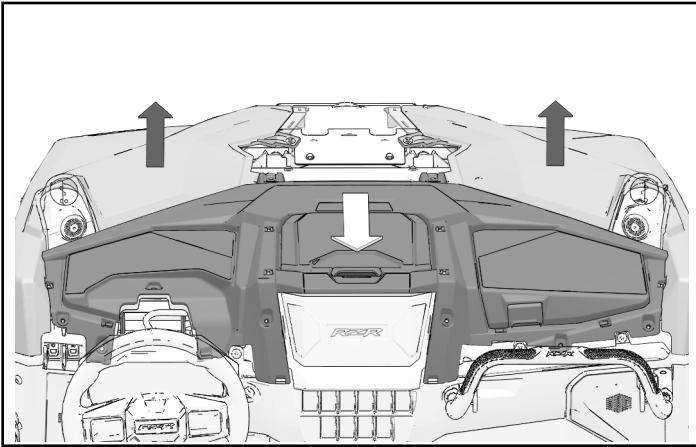
8. Carefully lift edge of right front hood panel to release tab from dashboard top as shown.



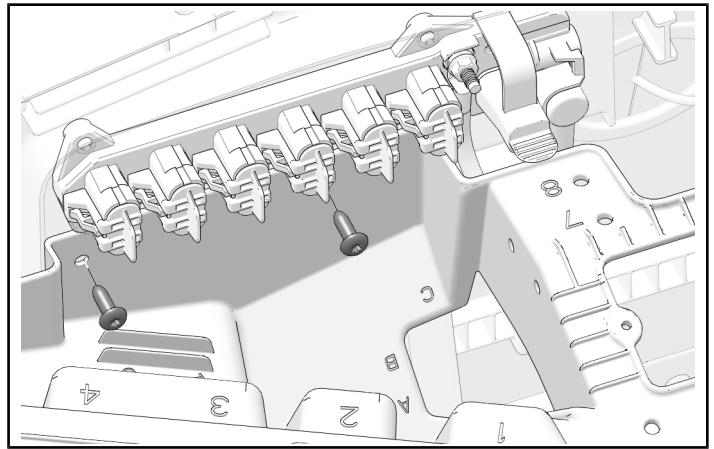
- Carefully keep panels up-and-away from tabs and remove dashboard top by tilting rear section up and pulling out toward rear.

TIP

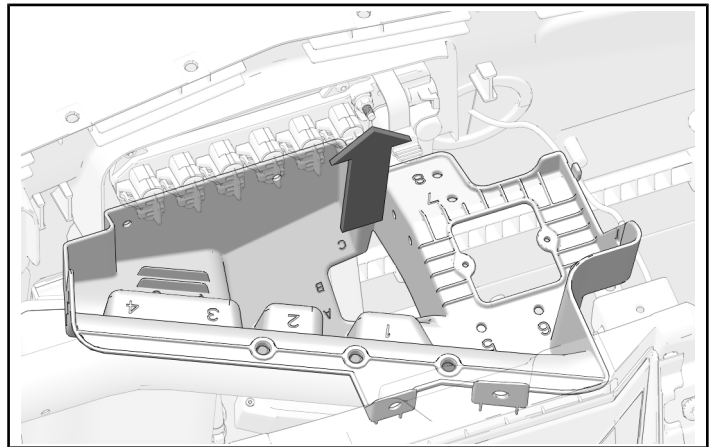
Two people are recommended to complete this step.



- Remove and retain two mounting panel fasteners.



- Move accessory mounting panel from beneath Polaris Pulse® bar and remove from vehicle.

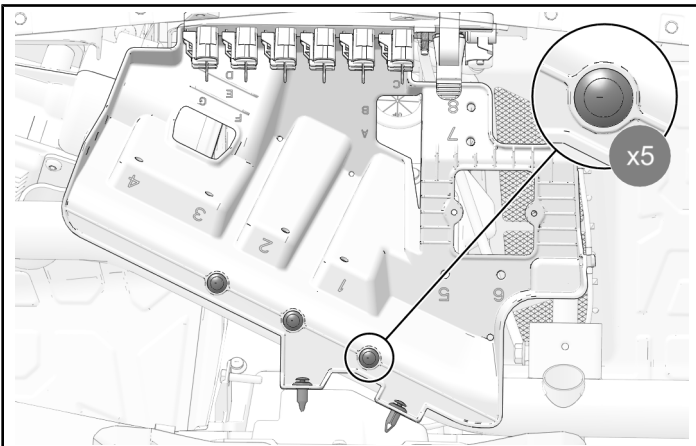


ACCESSORY MOUNTING PANEL REMOVAL

IMPORTANT

Disconnect harnesses from Polaris Pulse® bar (not including positive and ground cables) and accessory mounting panel before proceeding with removal.

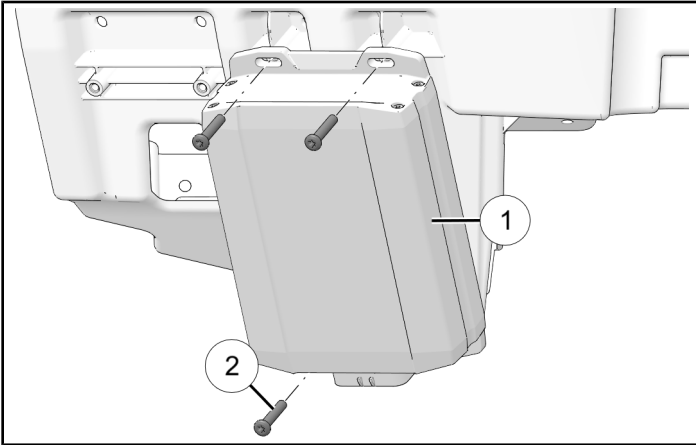
- Remove and retain five push-pin rivets from accessory mounting panel.



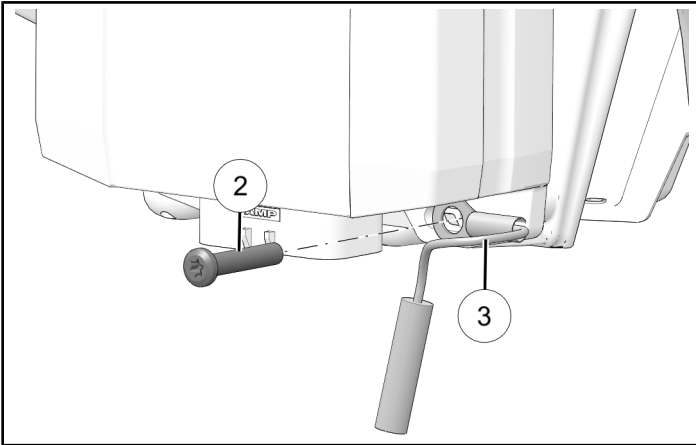
ACCESSORY INSTALLATION

ACCESSORY AMPLIFIER INSTALLATION

1. Install accessory amplifier ① with three fasteners ②.



2. Install fourth fastener ② through ground jumper harness ③.



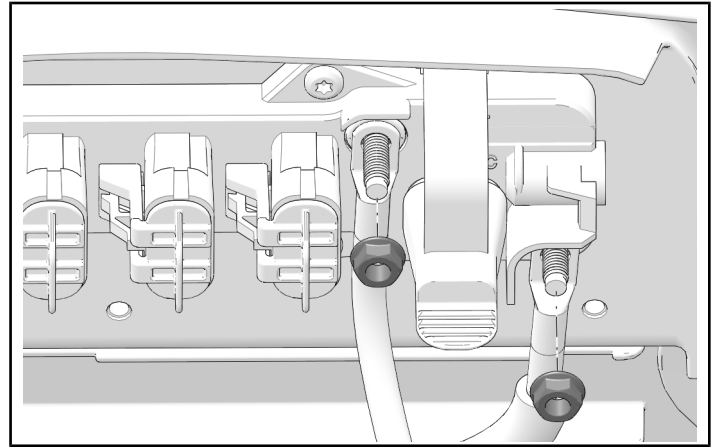
3. Torque amplifier fasteners ② to specification.

TORQUE

Amplifier Fasteners ②:
36 in-lbs (4 N·m)

AMPLIFIER HARNESS ② INSTALLATION

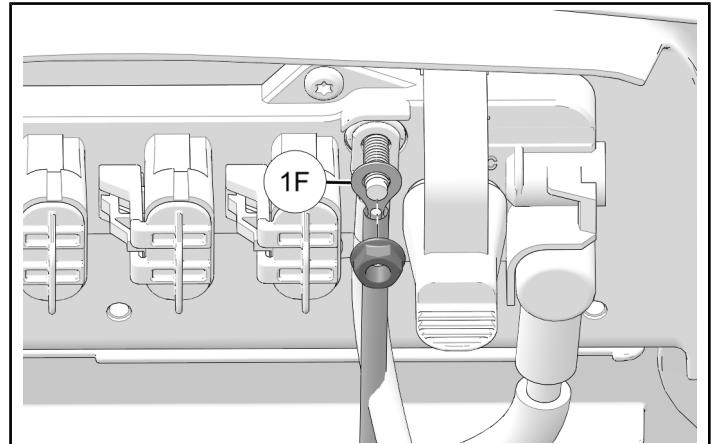
1. Remove and keep two nuts from terminal block.



2. Install 1F ground terminal ring (BLACK) to ground post. Reinstall nut and torque to specification.

TORQUE

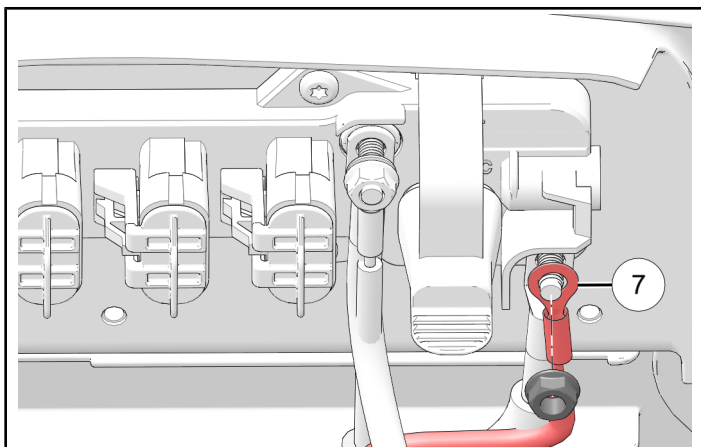
Terminal Block Nut:
44 in-lbs (5 N·m)



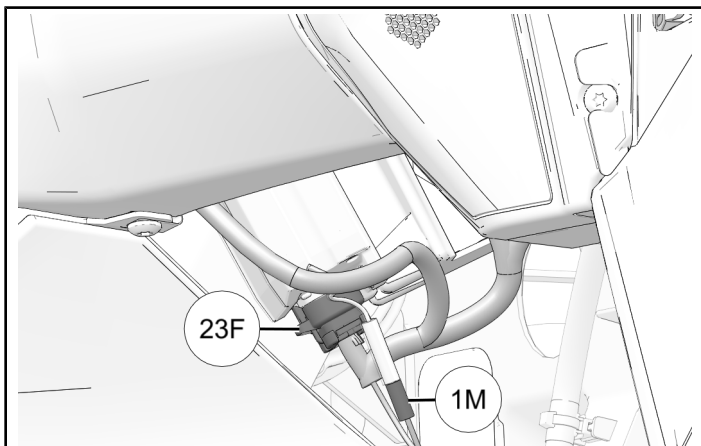
3. Install **1F** positive terminal ring (RED) to positive post. Reinstall nut and torque to specification.

TORQUE

Terminal Block Nut:
44 in-lbs (5 N·m)



4. Move accessory mounting panel to installed position.
5. Install **23F** connector to amplifier and **1M** connector to ground jumper harness.

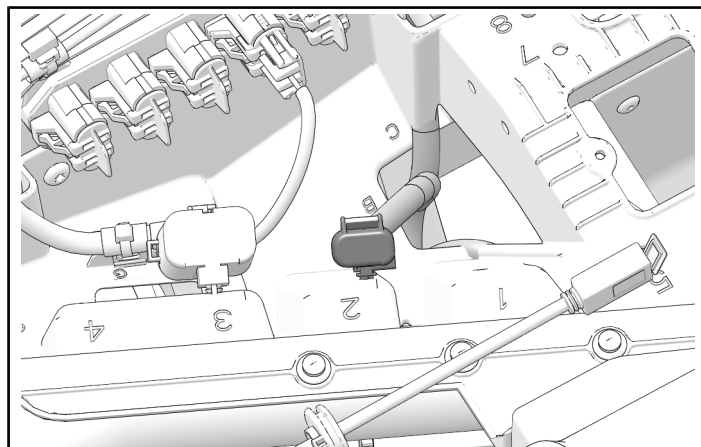


PMX HEAD UNIT INSTALLATION

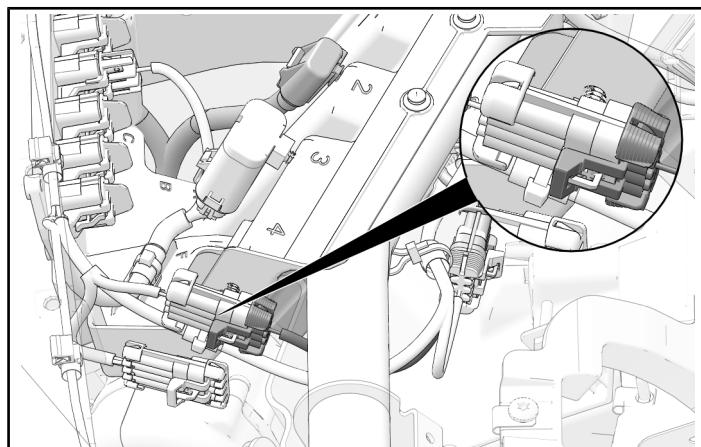
1. Proceed with installation/ reinstallation of PMX audio harness (factory-installed or available with *PMX Audio Kit*, P/N 2884908).

AMPLIFIER HARNESS ② INSTALLATION CONTINUED

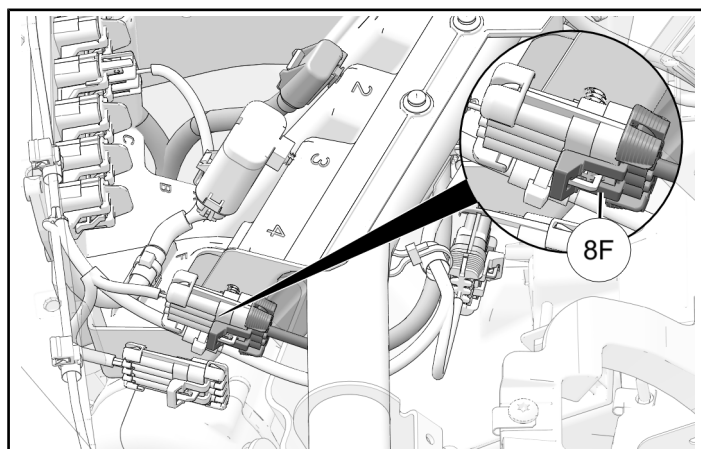
1. Route fuse relay into accessory mounting panel and install in an available mounting location.



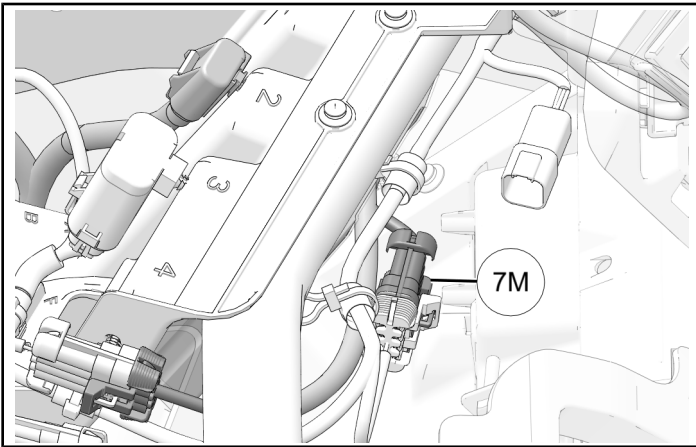
2. Disconnect amplifier output connector from speaker connector.



3. Connect **8F** connector to speaker connector.



- Remove cap from line level connector and connect 7M connector.



VEHICLE REASSEMBLY

ACCESSORY MOUNTING PANEL INSTALLATION

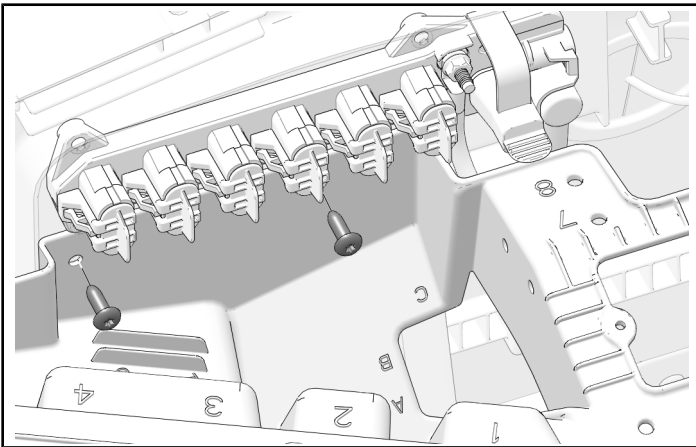
NOTICE

Electrical harnesses hidden for clarity.

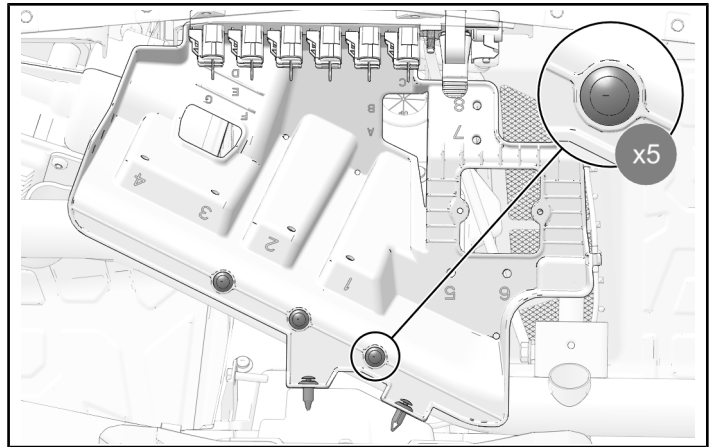
- Install two fasteners to firewall. Torque to specification.

TORQUE

Accessory Mounting Panel Fasteners:
27 in-lbs (3 N·m)



- Install five push-pin rivets.

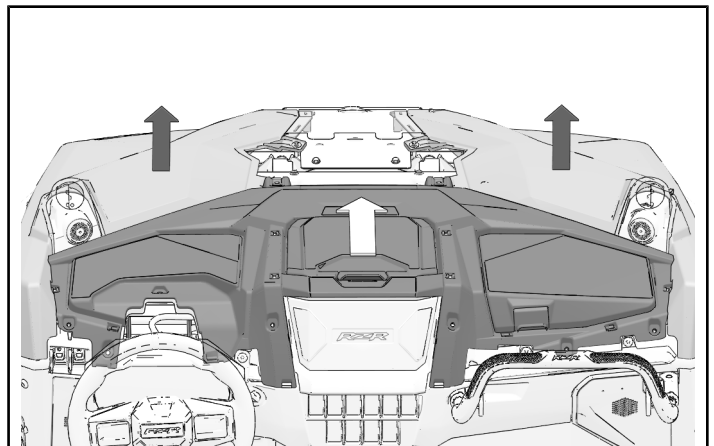


DASHBOARD TOP INSTALLATION

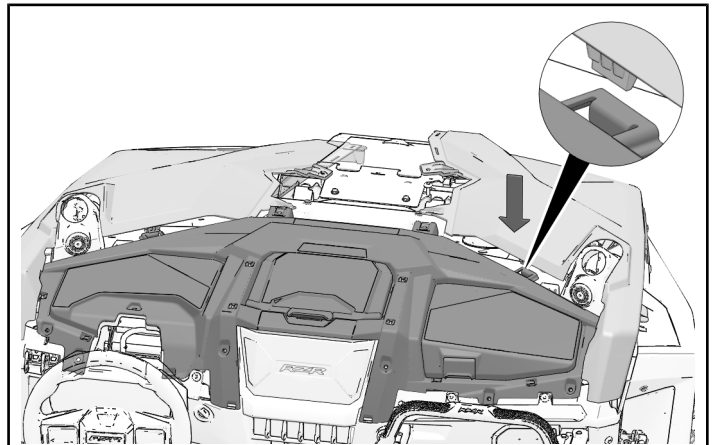
- Carefully lift panels up-and-away from tabs and install dashboard top into place by tilting rear section up and installing front section first, then lower rear section into place.

TIP

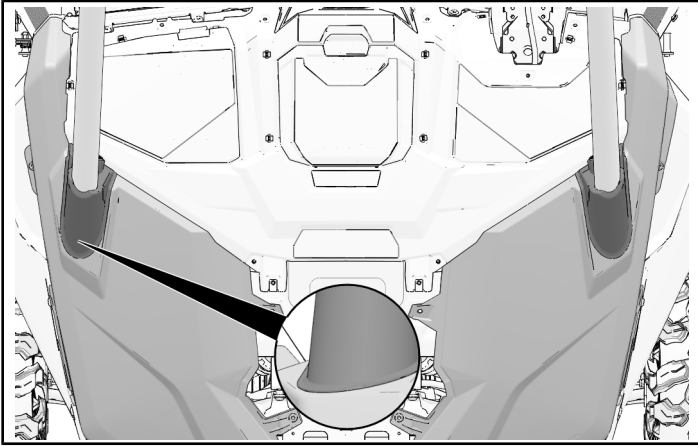
Two people are recommended to complete this step.



- Ensure that tabs on panels are aligned in slots on dashboard top. (Passenger-side panel shown; driver-side panel similar.)



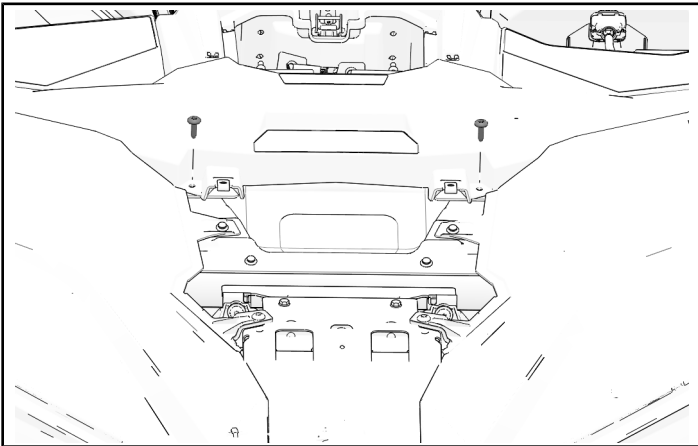
3. Ensure that both rubber boots are properly seated around hood panels. Only upper lip should be visible, as shown with inset.



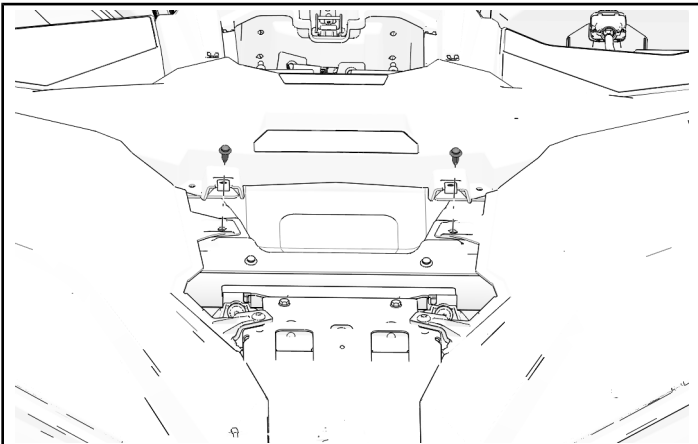
4. Reinstall two retained front dashboard fasteners into front edge of top dashboard.

TORQUE

Front Dashboard Fasteners:
88 in-lbs (10 N·m)



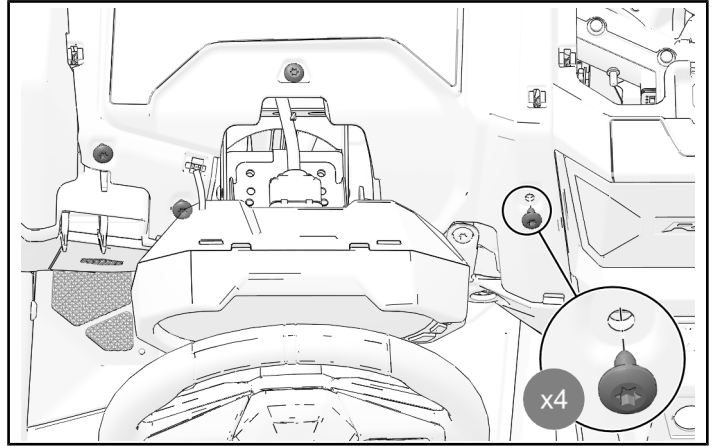
5. Install hood panels to with two retained push-pin rivets



6. Tilt steering wheel down. Install four retained dashboard fasteners through dashboard top and torque to specification.

TORQUE

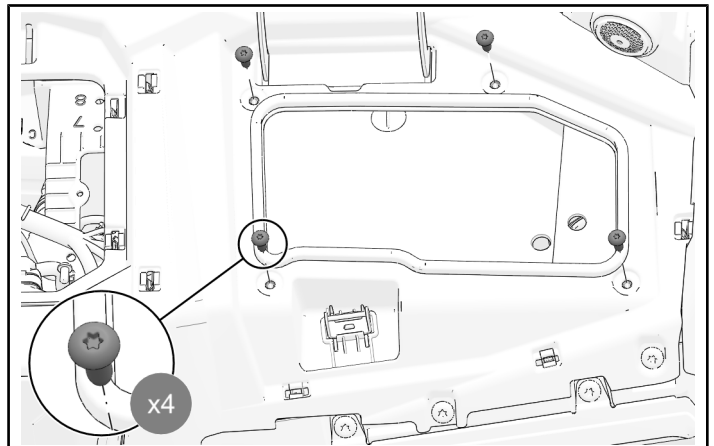
Dashboard Fasteners:
88 in-lbs (10 N·m)



7. Open glove box lid and reinstall storage compartment. Install four retained dashboard fasteners around glove box opening.

TORQUE

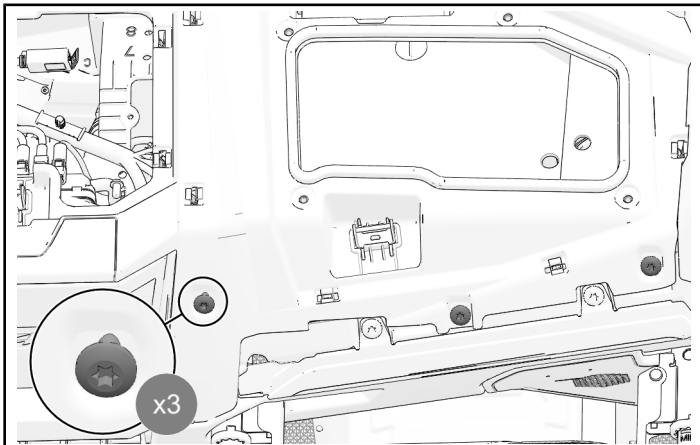
Dashboard Fasteners:
88 in-lbs (10 N·m)



8. Install front of dashboard with three retained dashboard fasteners.

TORQUE

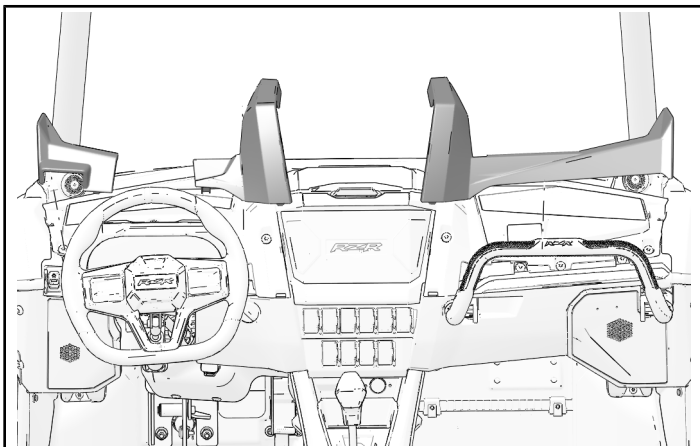
Dashboard Fasteners:
88 in-lbs (10 N·m)



9. Install retained left, center, and right dashboard trim pieces.

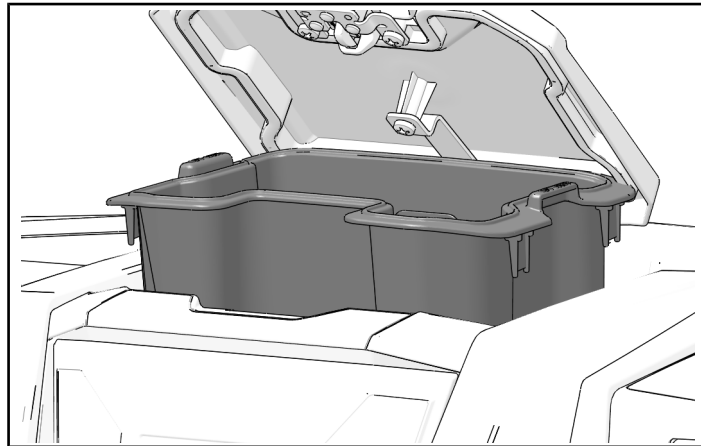
TIP

Release steering tilt lock for improved access.



DASHBOARD STORAGE INSTALLATION

1. Slide storage compartment into dashboard cavity.

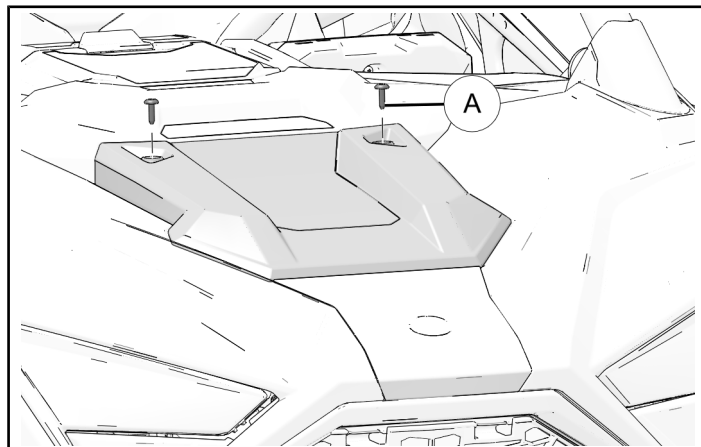


CENTER HOOD PANEL INSTALLATION

1. Slide panel forward until tabs slide into front hood panel and install with two hood fasteners (A).

TORQUE

Hood Fasteners (A):
89 in-lbs (10 N·m)

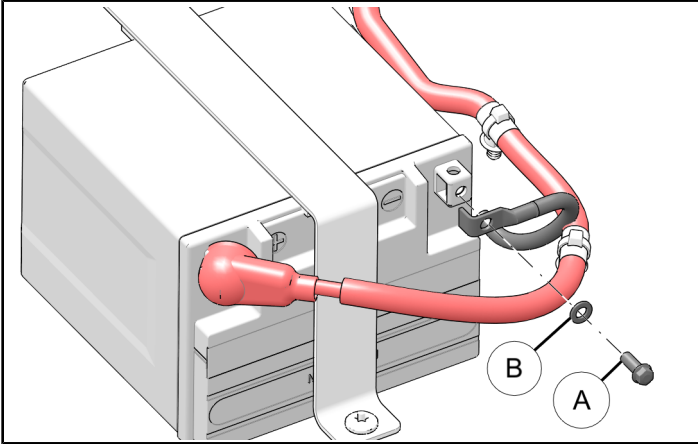


BATTERY CONNECT

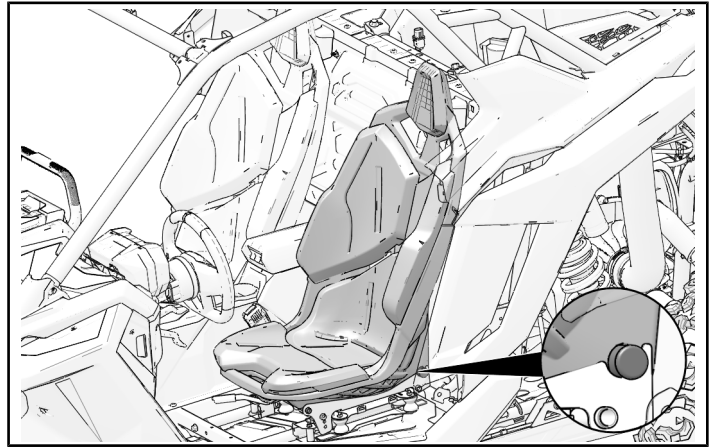
1. Connect NEGATIVE battery cable with one battery terminal post (A) and washer (B).

TORQUE

Battery Terminal (A):
44 in-lbs (5 N·m)



2. Lower seat onto rear receiver tubes.

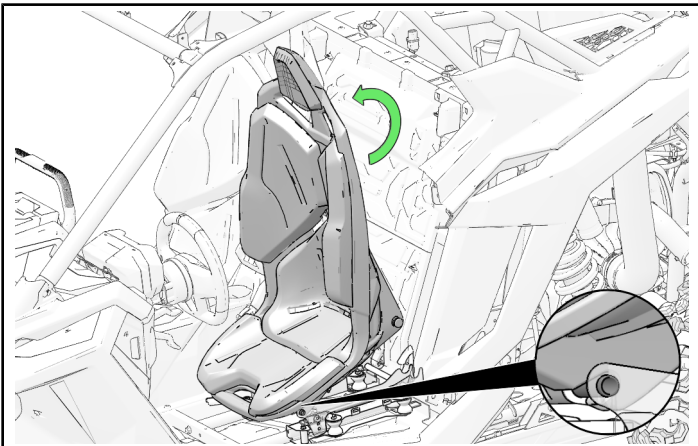


FRONT SEAT INSTALLATION

NOTICE

Driver seat shown; passenger seat similar.

1. Tilt seat towards steering wheel and hook seat base onto front receiver tubes.



INSTRUCTION FEEDBACK FORM

A feedback form has been created for the installer to provide any comments, questions or concerns about the installation instructions. The form is viewable on mobile devices by scanning the QR code or by clicking [HERE](#) if viewing on a PC.

