

WINDSHIELD KIT



P/N 2884570; 2884571

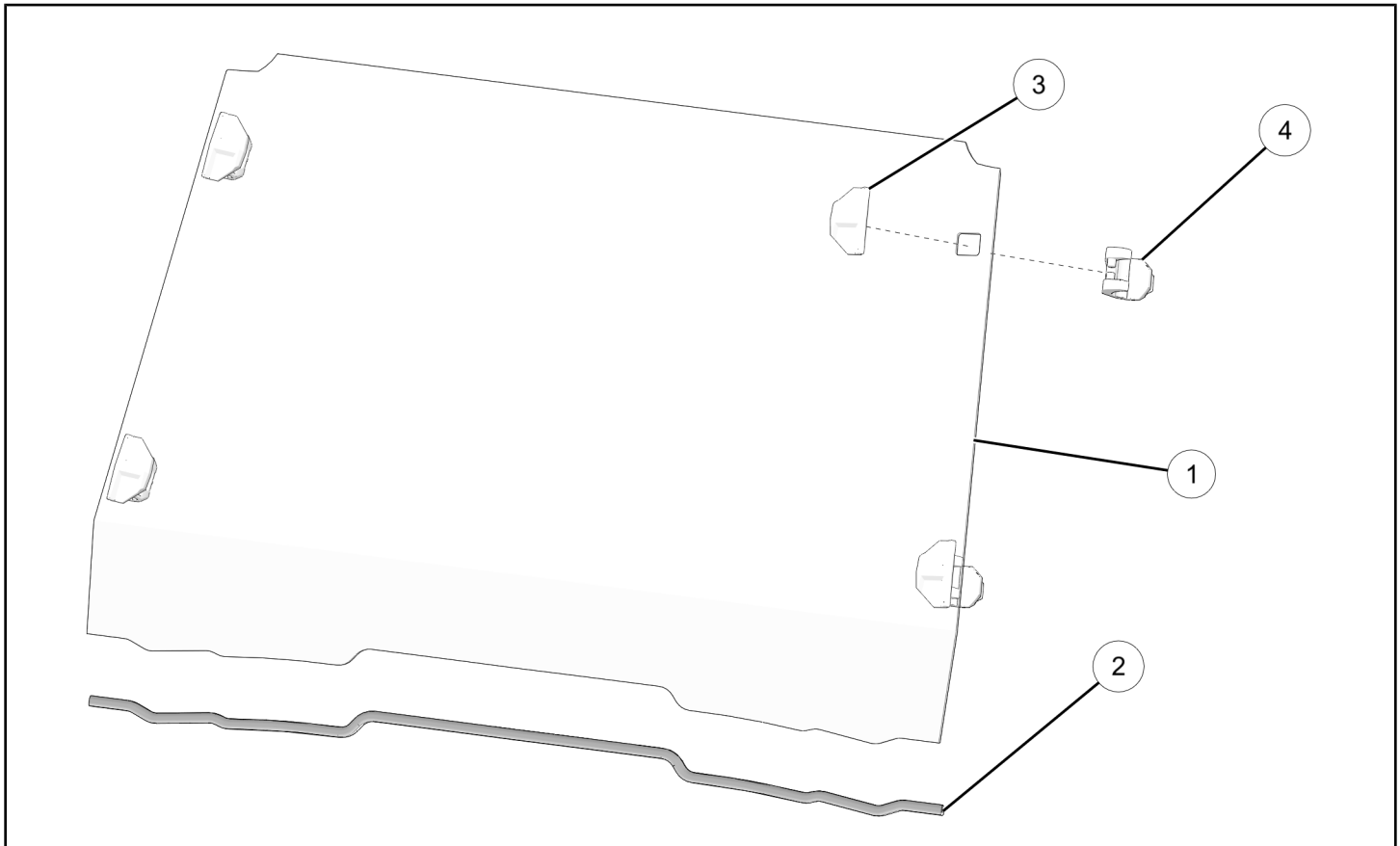
BEFORE YOU BEGIN

Read these instructions and check to be sure all parts and tools are accounted for. Please retain these installation instructions for future reference and parts ordering information.

APPLICATION

Verify accessory fitment at www.polaris.com.

KIT CONTENTS



REF	QTY	PART DESCRIPTION	P/N AVAILABLE SEPARATELY	AVAILABLE SERVICE KIT
1	1	Half Windshield (Not Shown) Full Windshield	n/a n/a	n/a n/a
2	1	Seal	n/a	2208951
3	2 4	Lock & Ride® Clamp Base (P/N 2884571) Lock & Ride® Clamp Base (P/N 2884570)	n/a n/a	2208951 2208951
4	2 4	Lock & Ride® Clamp Lever (P/N 2884571) Lock & Ride® Clamp Lever (P/N 2884570)	n/a n/a	2208951 2208951

TOOLS REQUIRED

- Safety Glasses

IMPORTANT

Your Windshield Kit is exclusively designed for your vehicle. Please read the installation instructions thoroughly before beginning. Installation is easier if the vehicle is clean and free of debris. For your safety, and to ensure a satisfactory installation, perform all installation steps correctly in the sequence shown.

INSTALLATION INSTRUCTIONS

VEHICLE PREPARATION

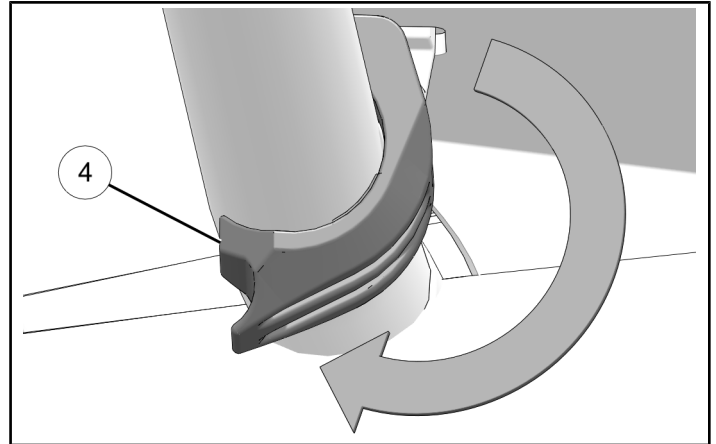
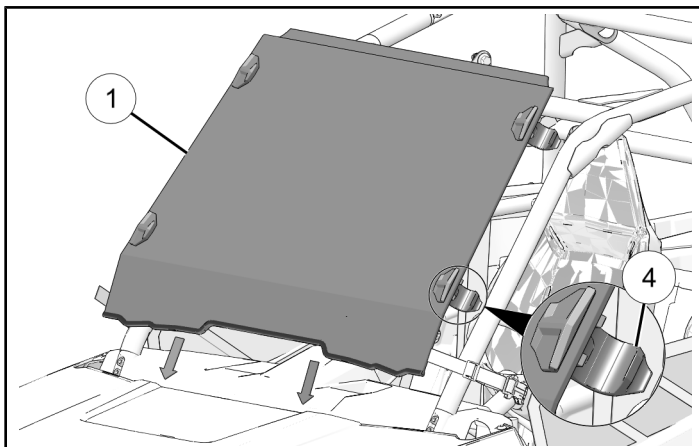
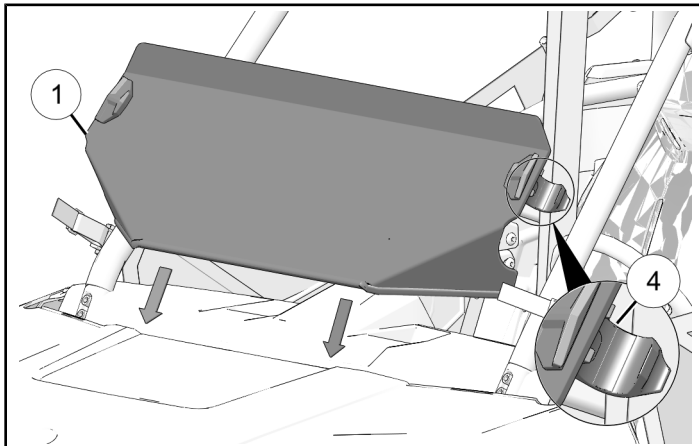
GENERAL

1. Park vehicle on a flat surface.
2. Push engine stop switch to OFF position.
3. Turn key to OFF position and remove key.

ACCESSORY INSTALLATION

1. Make sure Lock & Ride® clamps ④ are open. Put windshield ① on vehicle, seating bottom edge in place.

2. Close Lock & Ride® clamps ④ to secure windshield to ROPS.



INSTRUCTION FEEDBACK FORM

A feedback form has been created for the installer to provide any comments, questions or concerns about the installation instructions. The form is viewable on mobile devices by scanning the QR code or by clicking [HERE](#) if viewing on a PC.

