

# LOCK & RIDE® KOLPIN STRONGHOLD® AUTO-LATCH BED MOUNT KIT



P/N 2885114

## BEFORE YOU BEGIN

Read these instructions and check to be sure all parts and tools are accounted for. Please retain these installation instructions for future reference and parts ordering information.

## APPLICATION

Verify accessory fitment at [www.polaris.com](http://www.polaris.com).

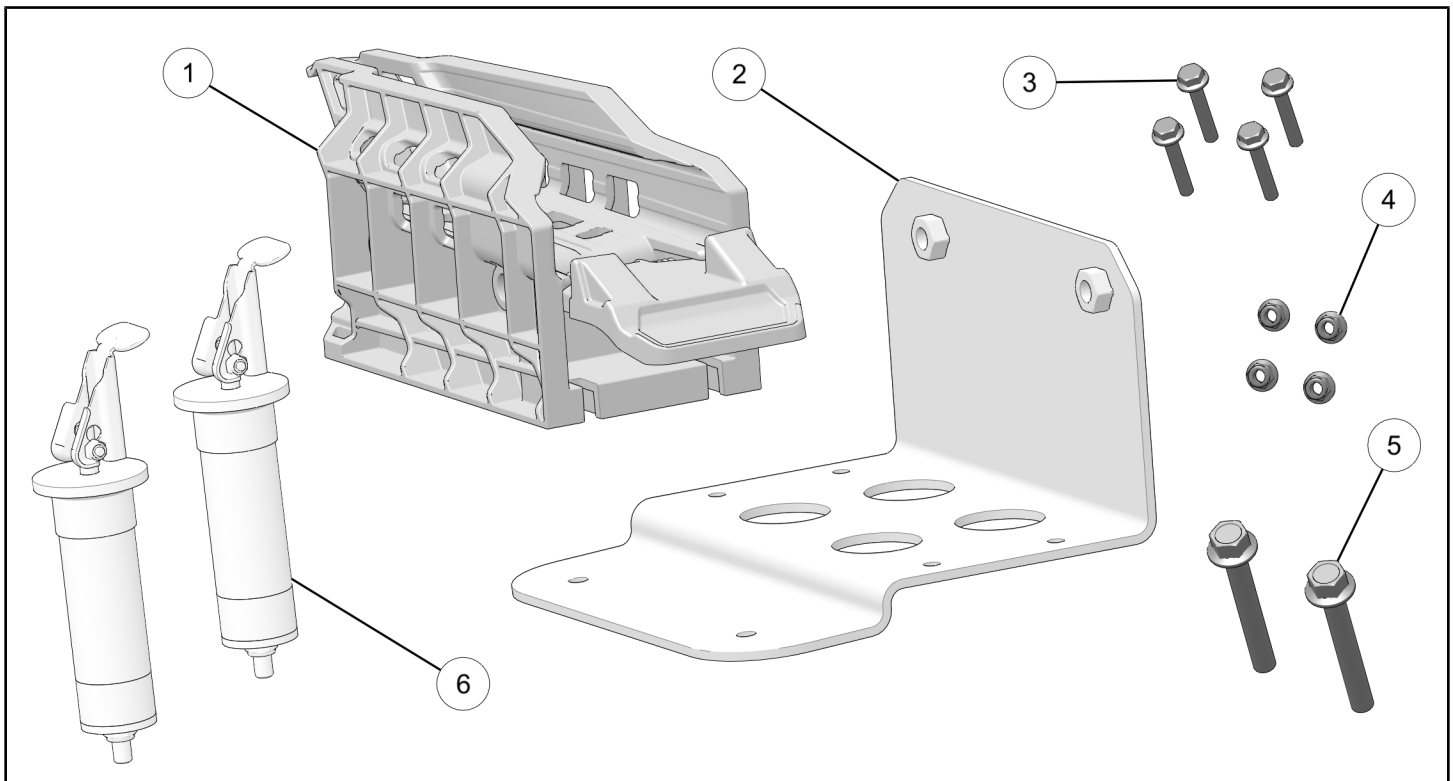
This kit designed to hold *Kolpin Stronghold Gun Boots*®

## REQUIRED SOLD SEPARATELY

Only parts for installation of the Bed MountLock & Ride® Kolpin Stronghold® Auto-Latch Bed Mount Kit are included. Prior installation of the following additional kits is also required (sold separately):

- *Bed Rack*, P/N 2885113

## KIT CONTENTS



## BED MOUNT KIT P/N 2885114

REF	QTY	PART DESCRIPTION	P/N AVAILABLE SEPARATELY
1	1	Stronghold Mount Assembly	2636942
2	1	Weld-Gun Mounting Bracket	1026331
3	4	Screw-Hex Flange, M6 x 1.0 x 35	7520292
4	4	Nut-Hex Flange, M6 x 1.0	7547453

REF	QTY	PART DESCRIPTION	P/N AVAILABLE SEPARATELY
5	2	Screw-Hex Flange, M10 x 1.5 x 75	7520488
6	2	Expansion Anchor Kit-Lock & Ride®	2877877

## TOOLS REQUIRED

- Safety Glasses
- Socket Set, Metric
- Socket Set, Torx® Bit
- Torque Wrench
- Wrench Set, Metric

## IMPORTANT

Your Lock & Ride® Kolpin Stronghold® Auto-Latch Bed Mount Kit is exclusively designed for your vehicle. Please read the installation instructions thoroughly before beginning. Installation is easier if the vehicle is clean and free of debris. For your safety, and to ensure a satisfactory installation, perform all installation steps correctly in the sequence shown.

## INSTALLATION INSTRUCTIONS

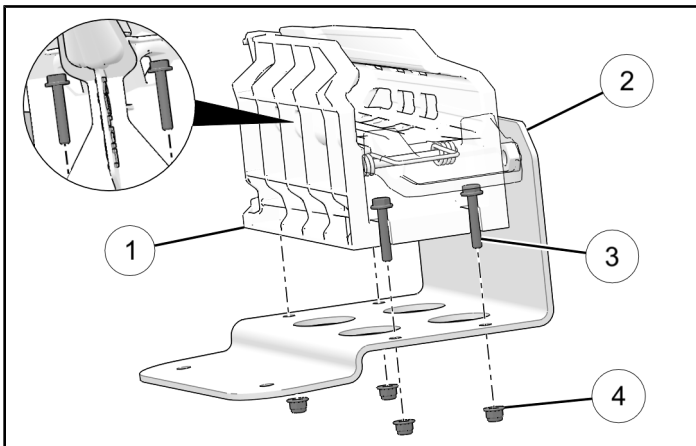
### VEHICLE PREPARATION

#### GENERAL

1. Park vehicle on flat surface.
2. Shift vehicle into **PARK**.
3. Lift vehicle bed to open position.
4. Turn ignition switch to **OFF** and remove key.

### ACCESSORY INSTALLATION

1. Attach mount assembly ① onto mounting bracket ② using four fasteners ③ and four nuts ④.



2. Counter hold four nuts ④ and torque four fasteners ③ to specification.

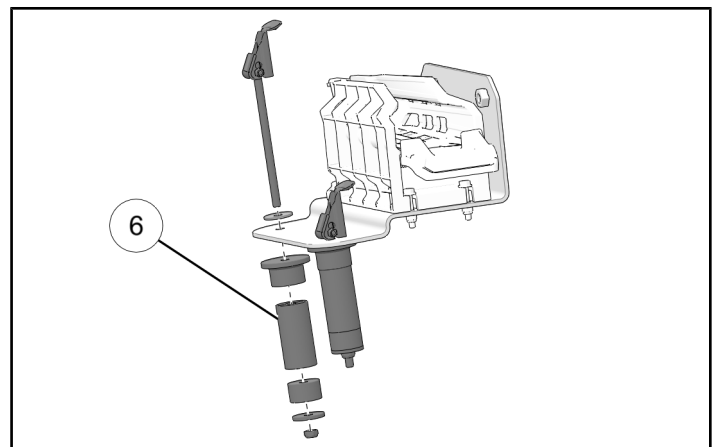
#### TORQUE

Mount Assembly Fastener ③:  
**88 in-lbs (10 N·m)**

3. Install two Lock & Ride® expansion anchors ⑥ to bed mount assembly.

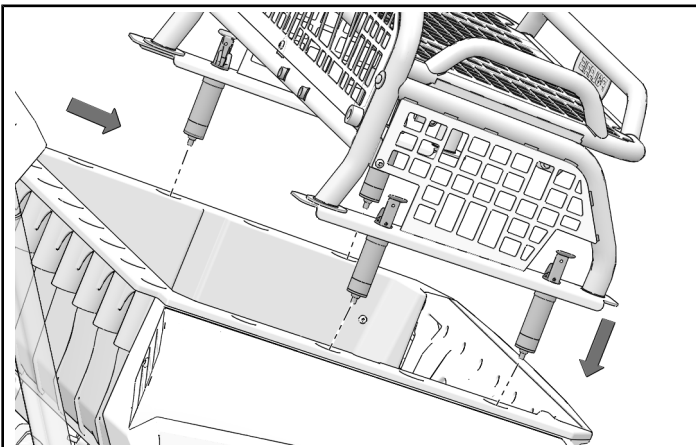
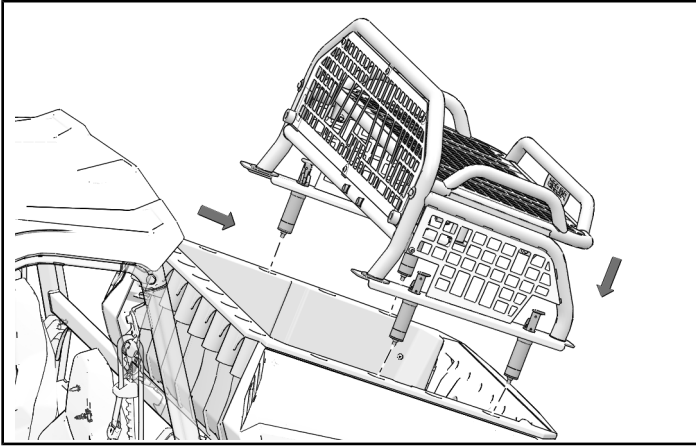
#### NOTICE

Refer to instructions included with Lock & Ride expansion anchors.

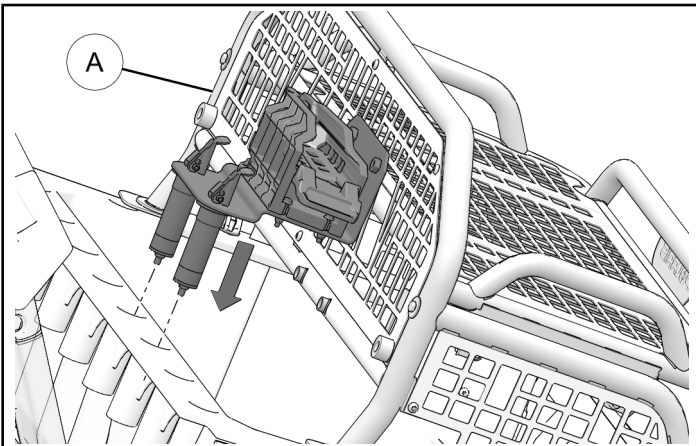


4. Make sure all Lock & Ride® expansion anchors ⑥ are unlocked.

5. If necessary, move Bed Rack on cargo box rearward, as shown, to make space for Bed Mount.



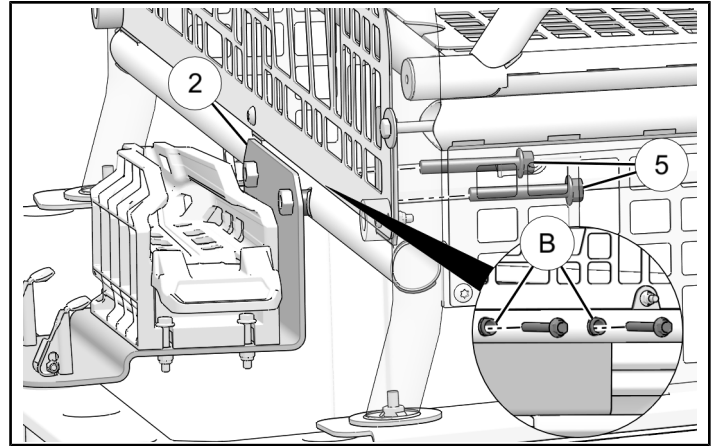
6. Install bed mount assembly on cargo box frontward of bed rack (A) until Lock & Ride® expansion anchors are fully seated.



7. Attach bed mount assembly bracket (2) to bed rack frame bar (B) using two fasteners (5). Torque to specification.

### TORQUE

Bed Mount Assembly Fastener (5):  
44 ft-lbs (60 N·m)



8. Push Lock & Ride® levers down to lock bed mount in place.

### TIP

Refer to instructions included with Lock & Ride expansion anchors to adjust tension.

9. Lower vehicle bed.

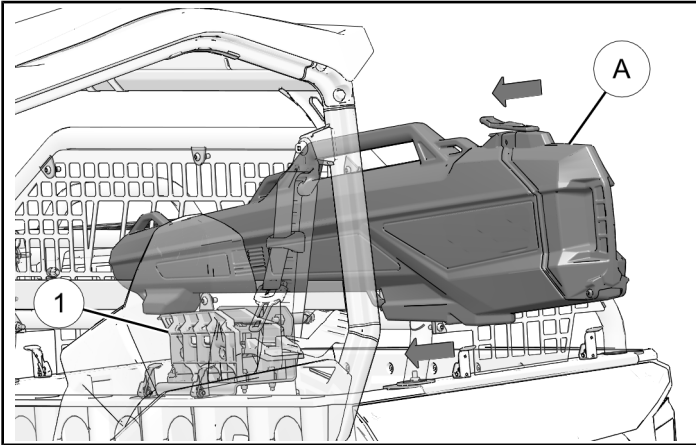
## OPERATION

### CASE INSTALLATION

1. Push case (A) into bed mount (1) until bed mount clicks.

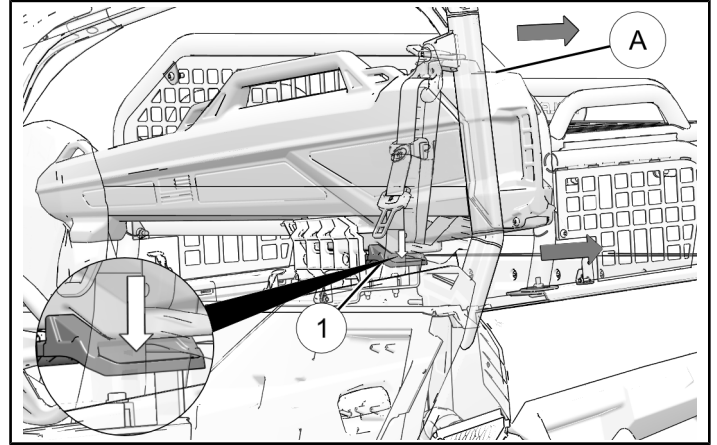
#### CAUTION

Make sure case is fully seated in bed mount. Failure to install case properly could result in case coming loose and falling out of bed mount and vehicle, causing damage to bed mount and/or vehicle.



### CASE REMOVAL

1. Push lever on bed mount (1) down and pull case (A) out of bed mount.



### INSTRUCTION FEEDBACK FORM

A feedback form has been created for the installer to provide any comments, questions or concerns about the installation instructions. The form is viewable on mobile devices by scanning the QR code or by clicking [HERE](#) if viewing on a PC.

