

# FRONT A-ARM GUARD KIT



P/N 2885097

## APPLICATION

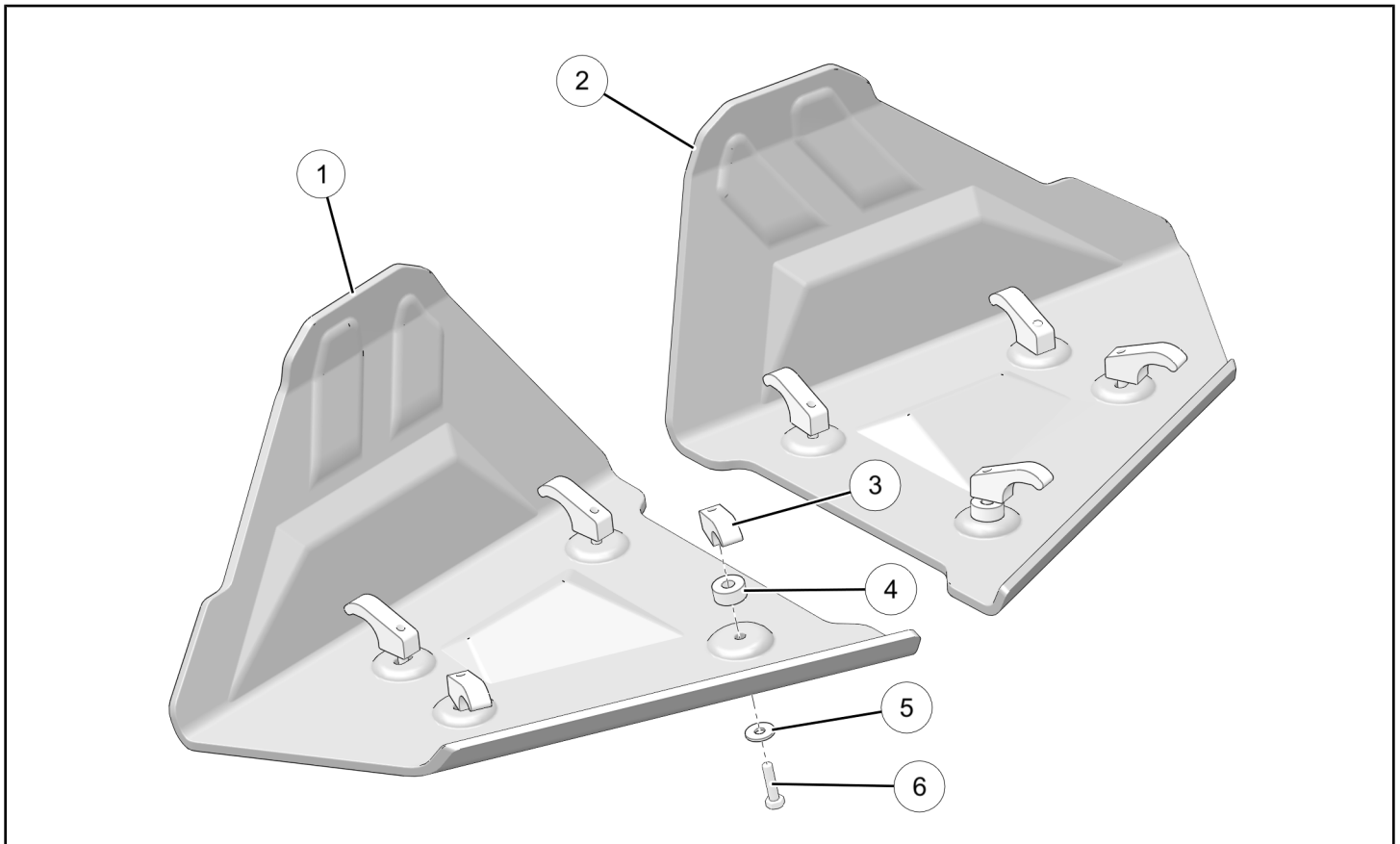
Verify accessory fitment at [Polaris.com](http://Polaris.com).

## BEFORE YOU BEGIN

Read these instructions and check to be sure all parts and tools are accounted for. Please retain these installation instructions for future reference and parts ordering information.

## KIT CONTENTS

This Kit includes:



REF	QTY	PART DESCRIPTION	PART NUMBER
1	1	Guard, A-Arm, LH	5454166
2	1	Guard, A-Arm, RH	5454167
3*	8	Clamp	5140242
4*	2	Spacer (rear inboard locations only)	-
5*	8	Washer - 8.4 X 30.0 X 2.0	-
6*	8	Screw, Hex Head - M6 X 1.0 X 25	-
	1	Instructions	9927938

Items marked (\*) are included in Hardware Kit PN 2207087 (4 clamps, 1 spacer, 4 washers, 4 screws)

## TOOLS REQUIRED

- Safety Glasses
- Socket Set, Metric
- Torque Wrench

## IMPORTANT

Your Front A-Arm Guard Kit is exclusively designed for your vehicle. Please read the installation instructions thoroughly before beginning. Installation is easier if the vehicle is clean and free of debris. For your safety, and to ensure a satisfactory installation, perform all installation steps correctly in the sequence shown.

## ASSEMBLY TIME

Approximately 15 minutes

## INSTALLATION INSTRUCTIONS

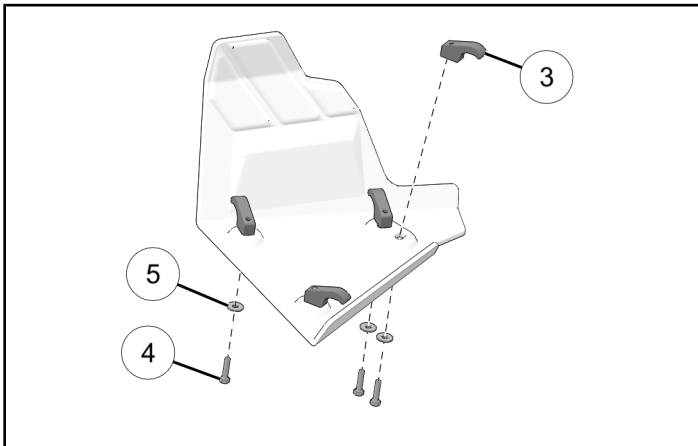
### VEHICLE PREPARATION

#### GENERAL

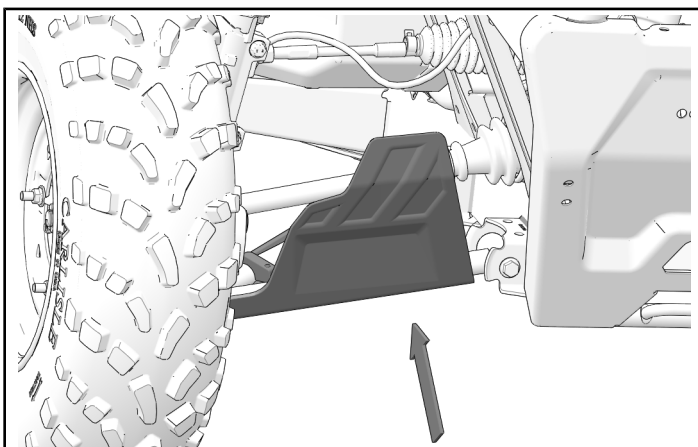
1. Park vehicle on a flat surface.
2. Shift vehicle into PARK.
3. Turn key to OFF position and remove key.

### ACCESSORY INSTALLATION

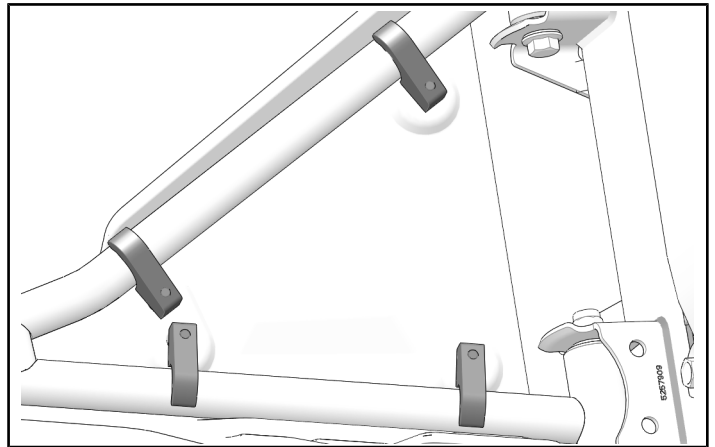
1. Loosely install clamps ③ with screws ④ and washers ⑤ on to A-Arm Guard.



2. Install front arm guard.



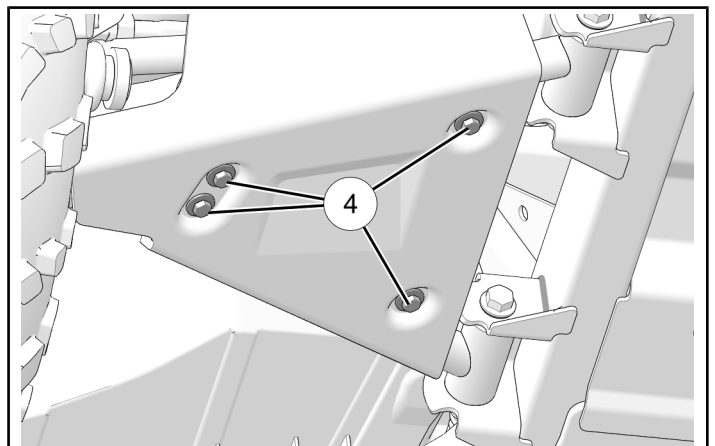
3. Position clamps.



4. Torque four screws ④.

#### TORQUE

four screws ④:  
**93 in-lbs (10.5 N·m)**



5. Repeat for drivers side.

## INSTRUCTION FEEDBACK FORM

A feedback form has been created for the installer to provide any comments, questions or concerns about the installation instructions. The form is viewable on mobile devices by scanning the QR code or by clicking [HERE](#) if viewing on a PC.

