

# WINCH KIT



P/N 2885095; 2885096

## BEFORE YOU BEGIN

Read these instructions and check to be sure all parts and tools are accounted for. Please retain these installation instructions for future reference and parts ordering information.

## APPLICATION

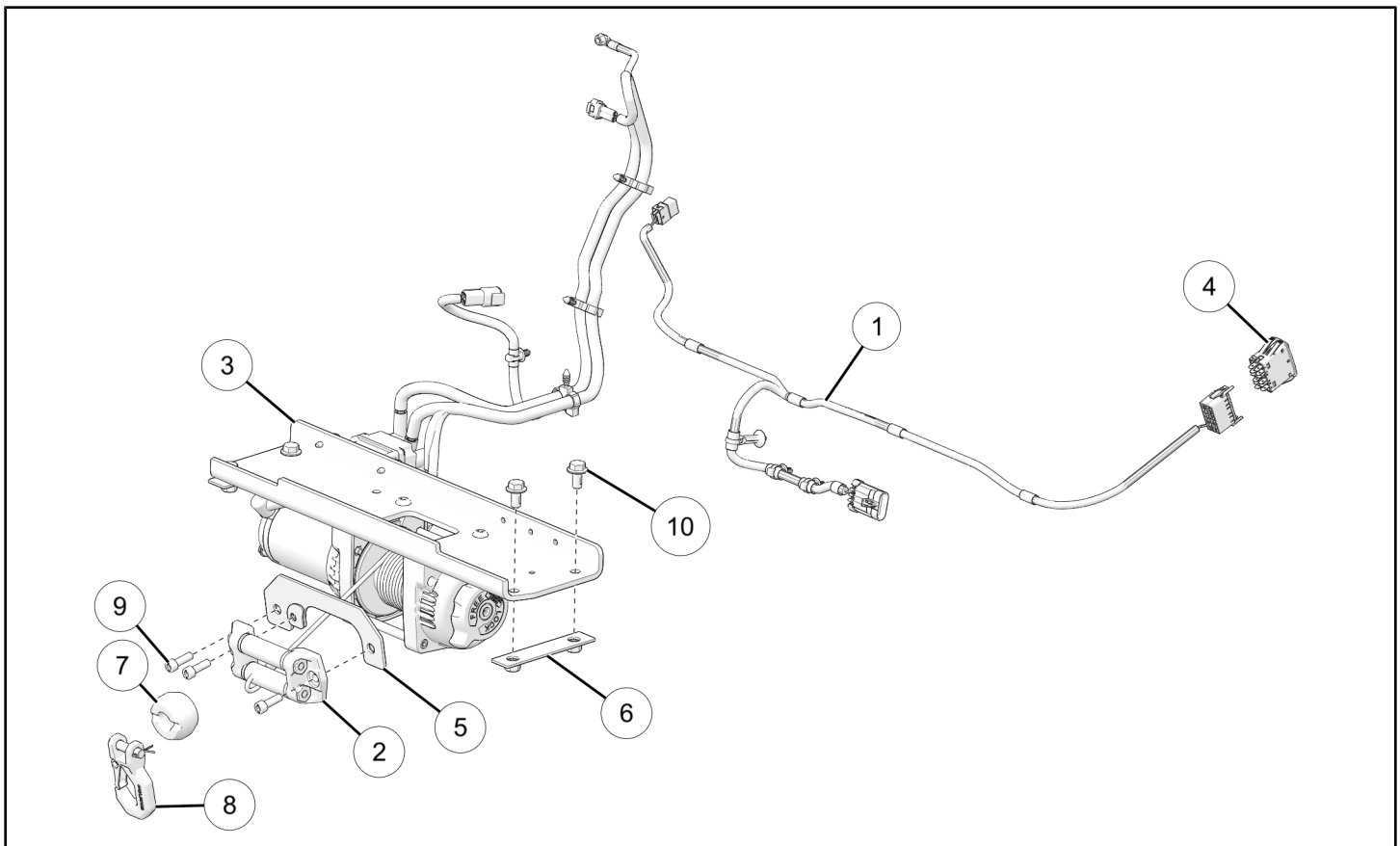
Verify accessory fitment at [www.polaris.com](http://www.polaris.com).

## REQUIRED SOLD SEPARATELY

Only parts for installation of the Winch Kit are included. For complete installation, the following additional kit is required (sold separately): 2889185 Front PULSE® Bar And Harness (if not factory equipped).

## KIT CONTENTS

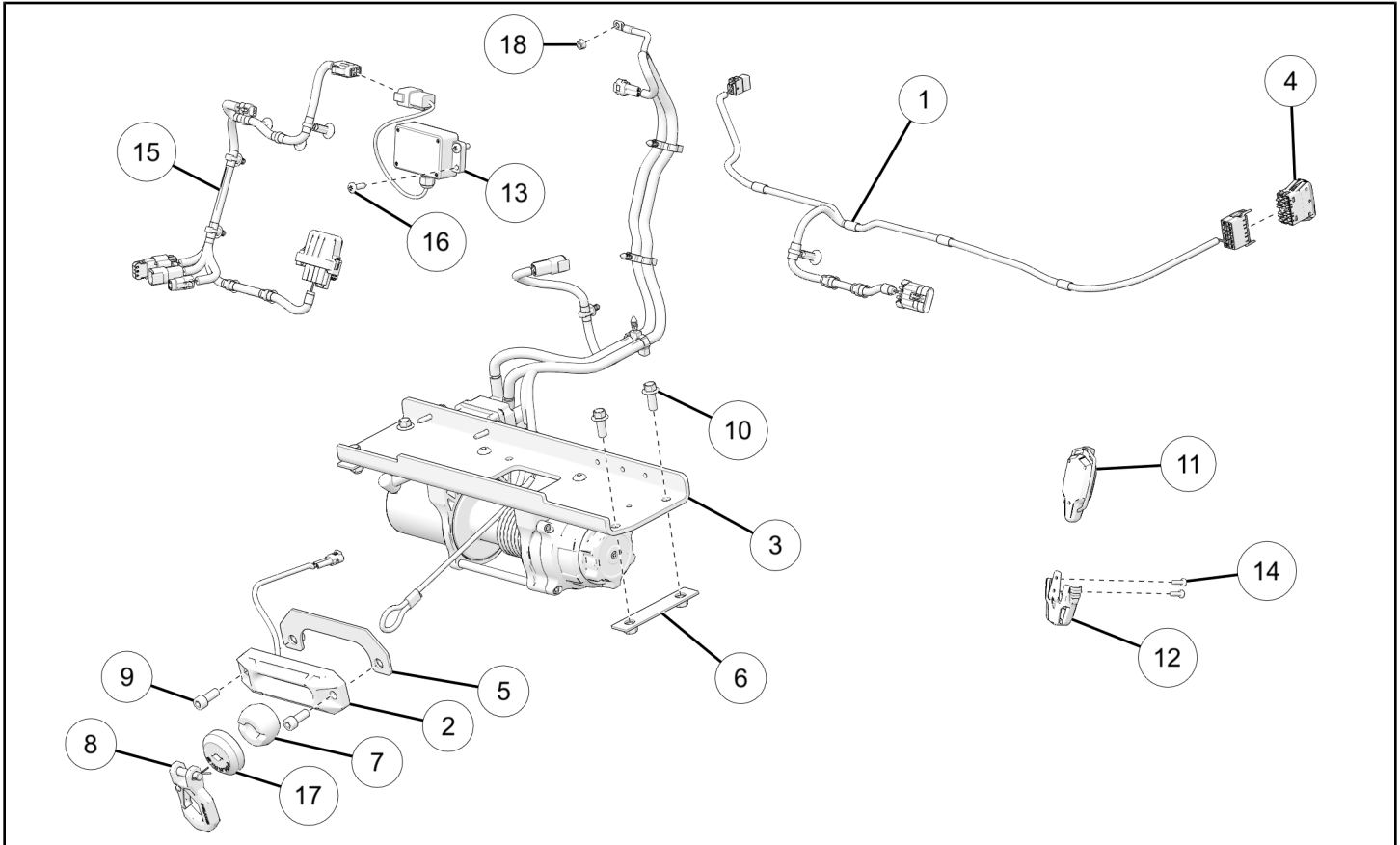
### 3500HD P/N 2885095



REF	QTY	PART DESCRIPTION	P/N AVAILABLE SEPARATELY	AVAILABLE SERVICE KIT
1	1	Accessory Harness – Winch Control, Splitter	2416598	n/a
2	1	Fairlead, Roller	2638130	n/a
3	1	Assembly – Winch, 3500	2638312	n/a
4	1	Switch – Winch	4017088	n/a
5	1	Bracket – Mount, Fairlead	n/a	n/a

REF	QTY	PART DESCRIPTION	P/N AVAILABLE SEPARATELY	AVAILABLE SERVICE KIT
6	2	Bracket – Mount, Backer	5271083	2208894
7	1	Bumper – Jounce, Winch	5417894	n/a
8	1	Hook – Latch, Winch	5910705	n/a
9	3	Screw – M8 x 1.25 x 25 mm	7520026	2208894
10	4	Screw – Hex, Flanged, M10 x 1.5 x 25 mm	7547270	2208894
11	1	Manual – Winch Guide (not shown)	9923644	n/a

### 4500 PRO HD P/N 2885096

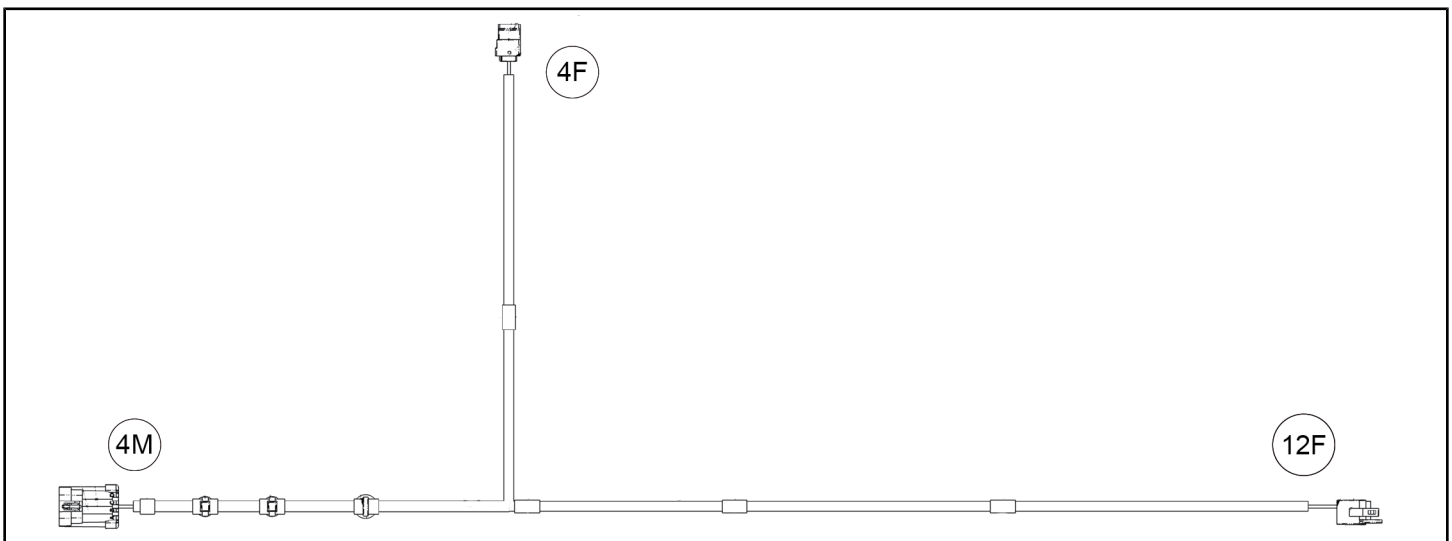


REF	QTY	PART DESCRIPTION	P/N AVAILABLE SEPARATELY	AVAILABLE SERVICE KIT
1	1	Accessory Harness – Winch Control, Splitter	2416598	n/a
2	1	Assembly – Fairlead	2637781	n/a
3	1	Assembly – Winch, 4500 Pro	2638313	n/a
4	1	Switch – Winch	4017088	n/a
5	1	Bracket – Mount, Fairlead	5271082	n/a
6	2	Bracket – Mount, Backer	5271083	2208894
7	1	Bumper – Jounce, Winch	5417894	n/a
8	1	Hook – Latch, Winch	2414841	n/a

REF	QTY	PART DESCRIPTION	P/N AVAILABLE SEPARATELY	AVAILABLE SERVICE KIT
9	2	Screw, M10 x 1.5 x 25 mm	5910705	n/a
10	4	Screw, Hex, Flanged, M10 x 1.5 x25 mm	7519731	2208894
11	1	Remote – Wireless, Winch	4017125	n/a
12	1	Holder – Remote, Wireless	5454269	n/a
13	1	Receiver – Wireless, Auto Stop	2415785	n/a
14	2	Screw, Torx, #10 x .75 in	7512026	2208894
15	1	Accessory Harness – Winch	2415965	n/a
16	4	Screw, Torx, Pan Head, #14 x .75 in	7519342	2208894
17	1	Stop – Magnet, Bumper	5415787	n/a
18	2	Nut, Hex, Flanged, M6 mm	7547270	n/a
19	1	Manual – Winch Guide (not shown)	9923644	n/a

## HARNESS DETAIL

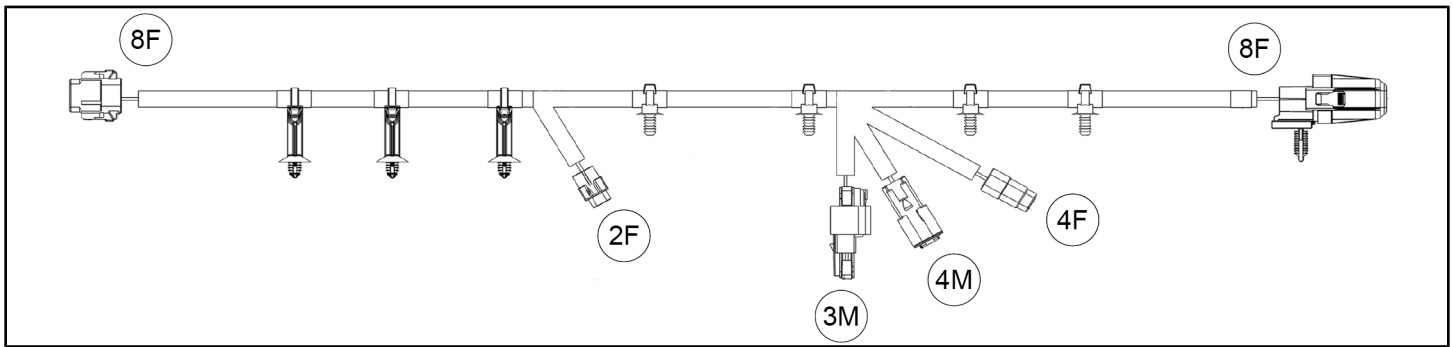
### ACCESSORY HARNESS WINCH CONTROL SPLITTER



REF	PART DESCRIPTION	CONNECTS TO
4M	Connector, Sealed, Male	Main chassis harness
4F	Connector, Sealed, Female	Open — connects to accessory wired remote, Polaris p/n 2889600
12F	Connector, Female	Winch Switch

Example: 16F = 16 pin, Female / 16M = 16 pin, Male (Male terminal fits inside female terminal)

## ACCESSORY HARNESS WINCH



REF	PART DESCRIPTION	CONNECTS TO
8F	Connector, Sealed, Female	Winch Control
2F	Connector, Sealed, Female	Auto Stop
3M	Connector, Sealed, Male	RC Harness
4M	Connector, Sealed, Male	Chassis Harness
4F	Connector, Sealed, Female	Contactora
8F	Connector, Sealed, Minifuse	Fuse Block

Example: 16F = 16 pin, Female / 16M = 16 pin, Male (Male terminal fits inside female terminal)

## TOOLS REQUIRED

- Safety Glasses
- Drill
- Drill Bit
- Socket Set, Hex Bit, Metric
- Socket Set, Metric
- Socket Set, Torx® Bit
- Torque Wrench
- Wrench Set, Metric

## IMPORTANT

Your Winch Kit is exclusively designed for your vehicle. Please read the installation instructions thoroughly before beginning. Installation is easier if the vehicle is clean and free of debris. For your safety, and to ensure a satisfactory installation, perform all installation steps correctly in the sequence shown.

## INSTALLATION INSTRUCTIONS

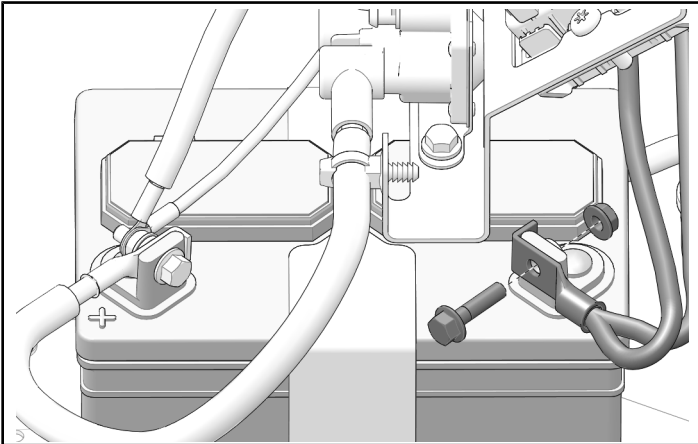
### VEHICLE PREPARATION

#### GENERAL

1. Park vehicle on a flat surface.
2. Shift vehicle into PARK.
3. Turn key to OFF position and remove key.

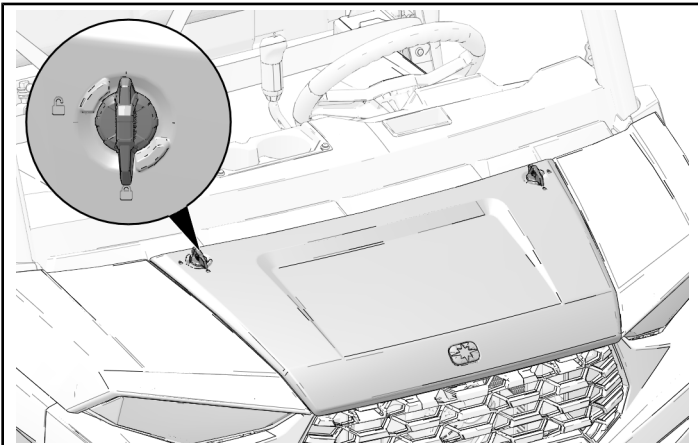
## BATTERY DISCONNECT

1. Counter-hold nut and remove bolt from negative (black) battery terminal to remove negative (black) battery cable.



## HOOD REMOVAL

1. Turn two quarter-turn fasteners to unlock position to remove hood from vehicle.



## FRONT BUMPER REMOVAL

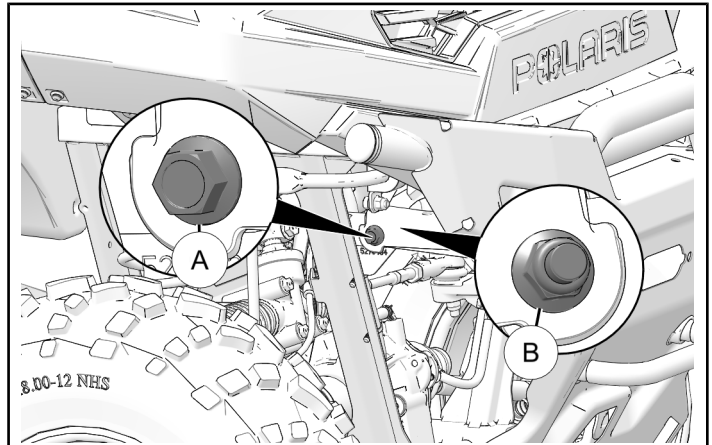
### ⚠ CAUTION

Bumper weighs approximately 31 lbs (14 kg). Failure to adequately support bumper during removal may result in personal injury or damage to equipment.

1. Remove and keep nut (B) and bolt (A). Repeat for opposite side.

### NOTICE

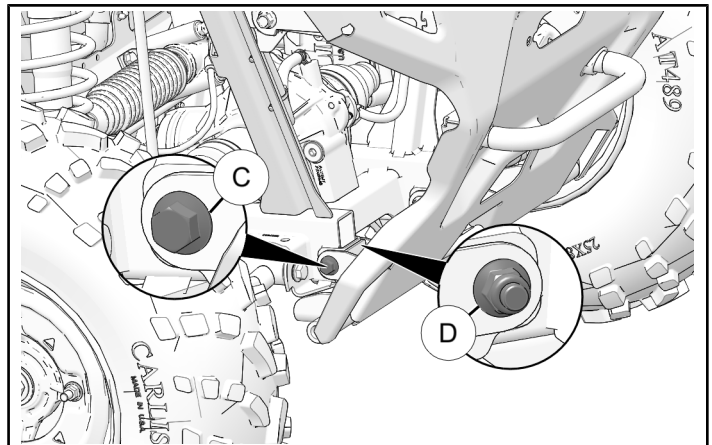
Right side detail shown; left side similar.



2. Support bumper, remove and keep nut (D) and bolt (C). Repeat for opposite side.

### NOTICE

Right side detail shown; left side similar.



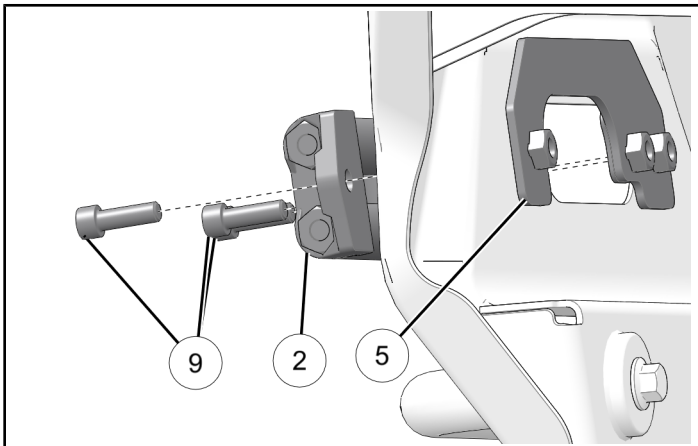
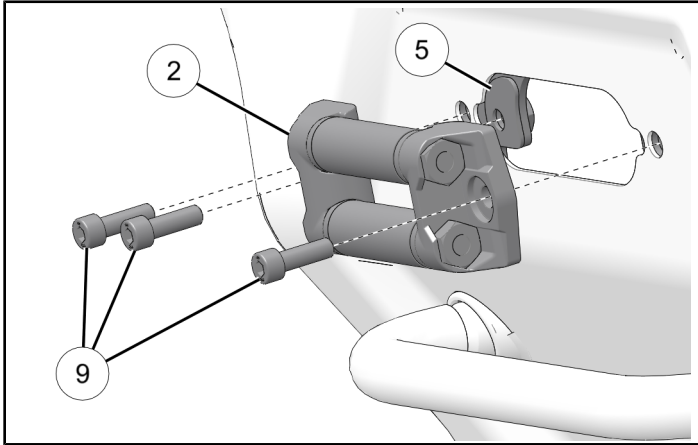
## ACCESSORY INSTALLATION

### INSTALL 3500 FAIRLEAD

1. Put mounting plate ⑤ in place behind bumper. Put fairlead ② in position and install three screws ⑨. Torque to specification.

#### TORQUE

Fairlead Screws ⑨:  
**40 ft-lbs (54 N·m)**



### INSTALL 4500HD FAIRLEAD

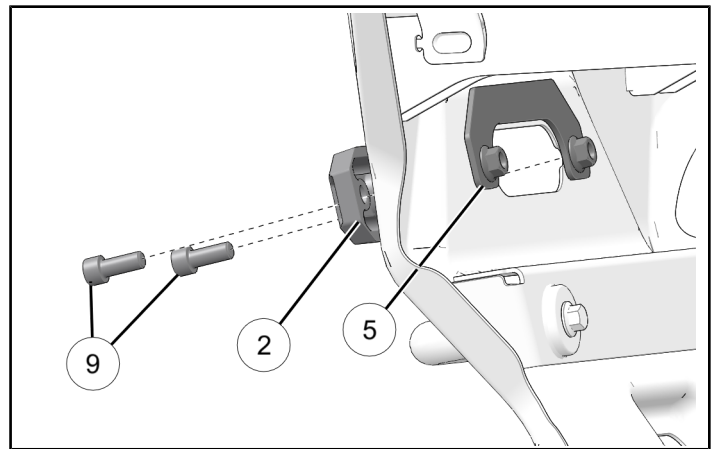
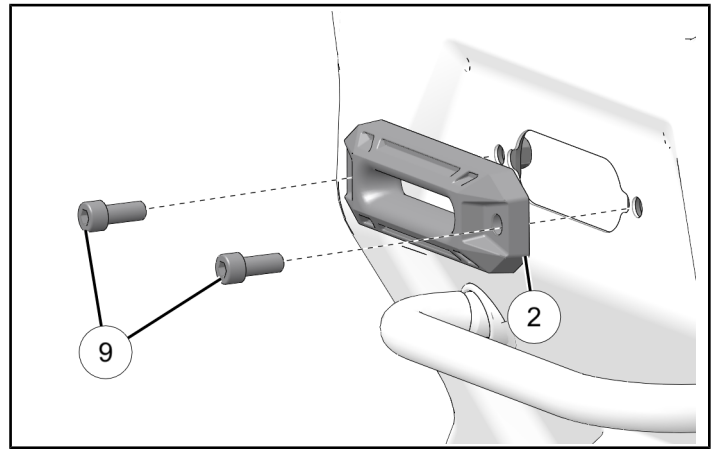
1. Put mounting plate ⑤ in place behind brush guard cover. Put fairlead ② in position and install three screws ⑨. Make sure to feed fairlead wiring through opening in bumper. Torque to specification.

#### NOTICE

Fairlead wiring not shown.

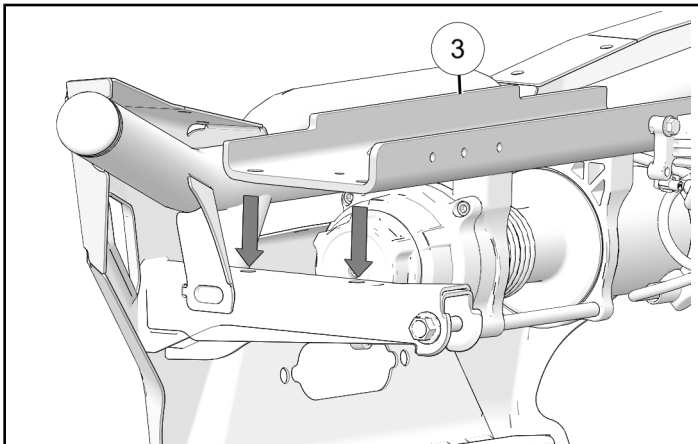
#### TORQUE

Fairlead Screws ⑨:  
**40 ft-lbs (54 N·m)**



## WINCH INSTALLATION

1. Put winch assembly ③ in position on bumper. Align mounting holes with existing holes in bumper.



2. Install screws ⑨ into mounting plate ⑥. Make sure winch assembly ③ sits flush on bumper. Torque to specification.

### IMPORTANT

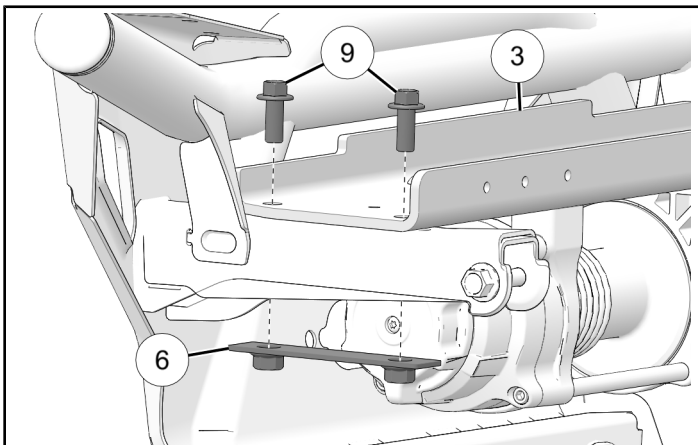
When installing 4500 HD winch, make sure to route fairlead wires to the right, over the top of the winch motor.

### IMPORTANT

Make sure to feed winch cable through opening in bumper and through fairlead.

### TORQUE

Winch Mounting Screws ⑨:  
**40 ft-lbs (54 N·m)**



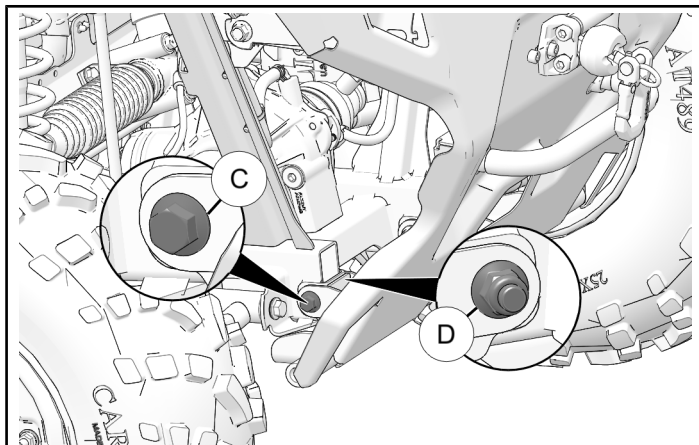
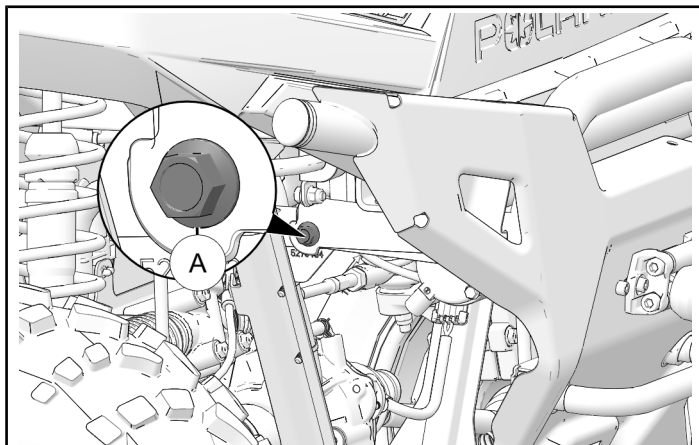
3. Install bumper on vehicle using kept screws and nuts (upper nut ⑧ not shown). Torque to specification.

### NOTICE

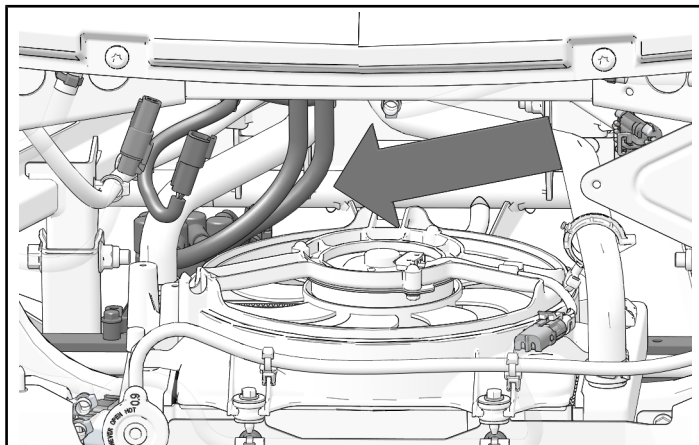
Make sure wires do not get pinched during bumper installation.

### TORQUE

Bumper Mount Nuts ⑧ and ⑩:  
**30 ft-lbs (41 N·m)**



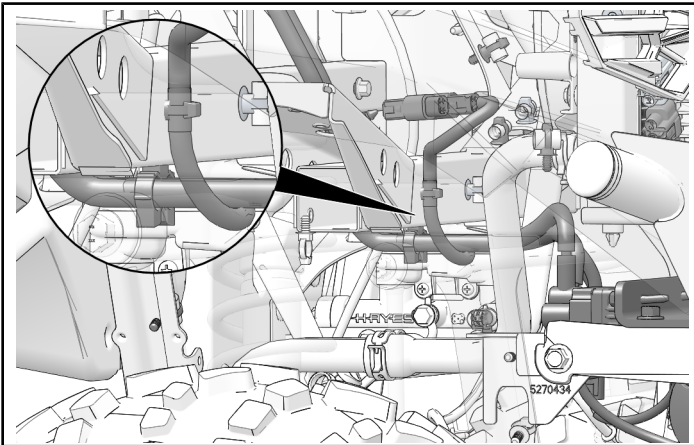
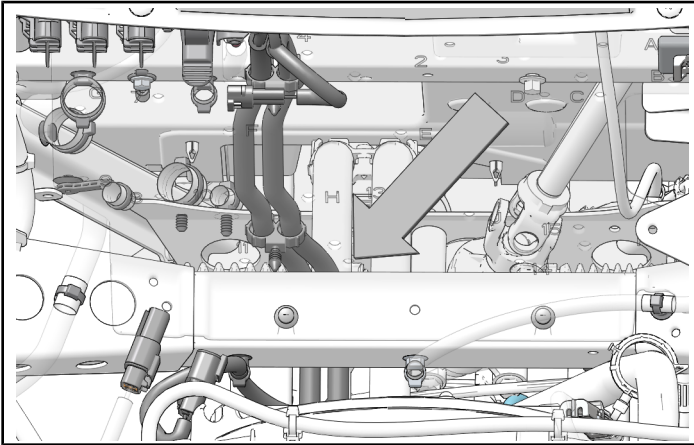
4. Route winch power wires under radiator and fan assembly.



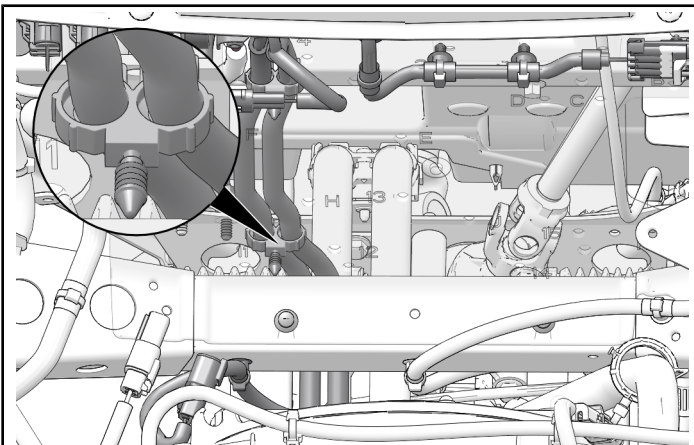
- Route winch power wires under frame assembly, then up behind PULSE® board. Install push pin clips into frame as shown.

**NOTICE**

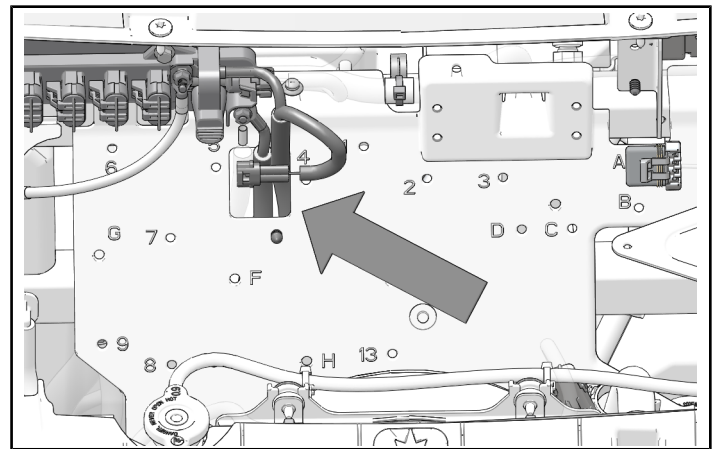
PULSE® board partially hidden to show installation.



- Install push pin into back side of PULSE® board in hole next to hole 11.



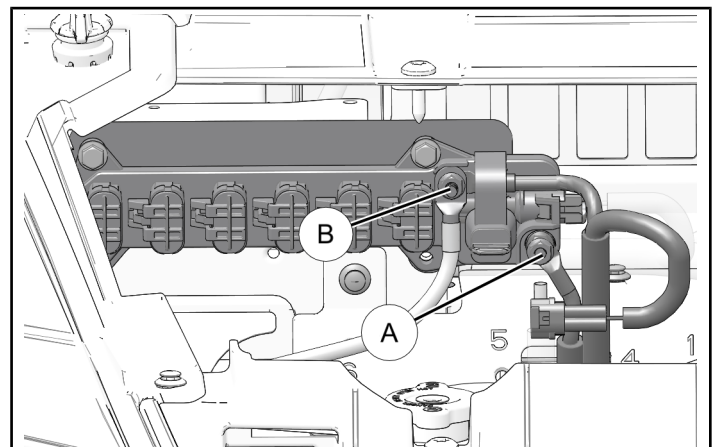
- Route wires through opening in PULSE® board.



- Connect the winch power wire (A) and winch ground wire (B) to PULSE® bar as shown. Torque to specification.

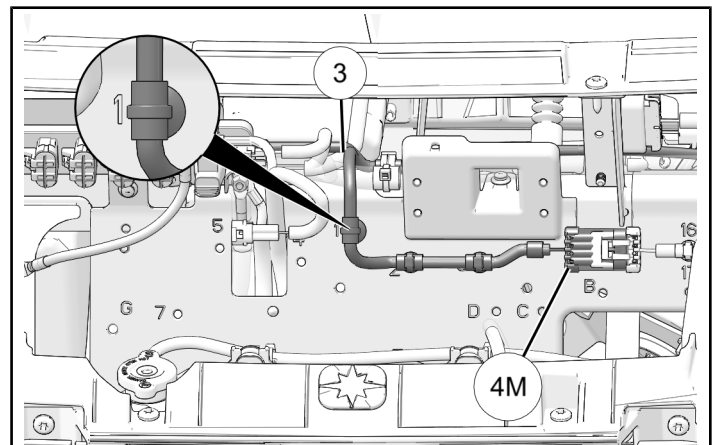
**TORQUE**

PULSE® Bar Connections (A) and (B):  
**44 in-lbs (5 N·m)**



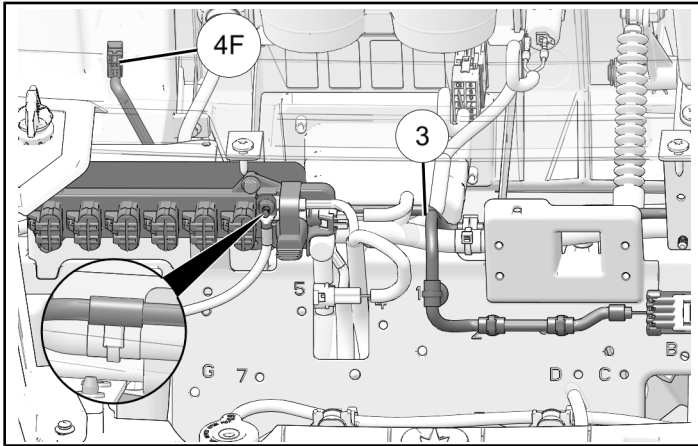
**INSTALL WINCH CONTROL SPLITTER**

- Install winch control splitter harness (3) on PULSE® board. Install push pin connectors in positions 1, 2, and 3. Connect 4M to main chassis harness.

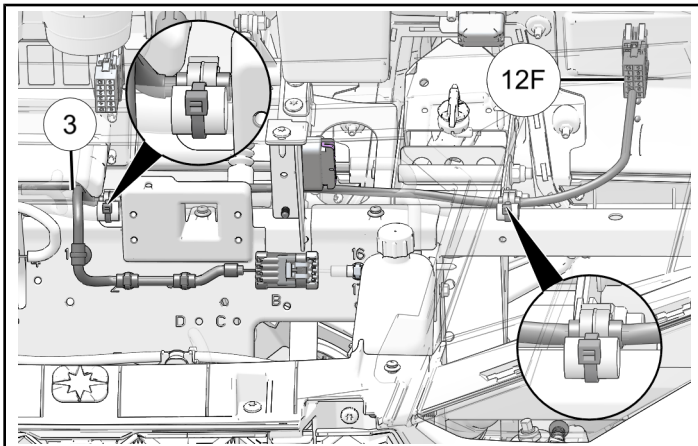




2. Install harness in clip located behind PULSE® bar. Route inside vehicle along existing wiring and connect **4F** to vehicle accessory power.

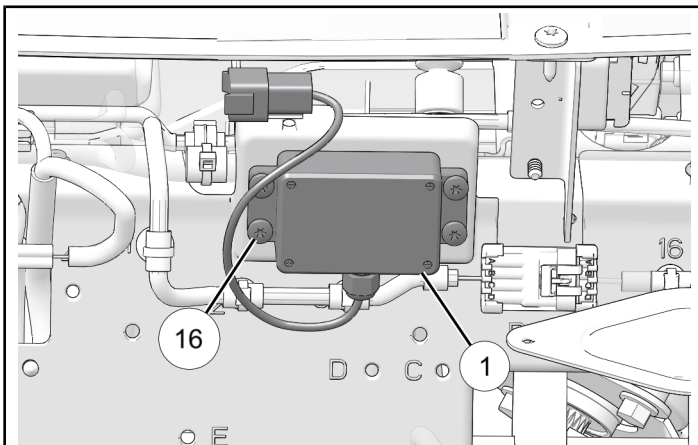


3. Route wiring along rear of compartment. Secure in positions shown. Route inside vehicle along existing wiring and connect **12F** to winch switch.



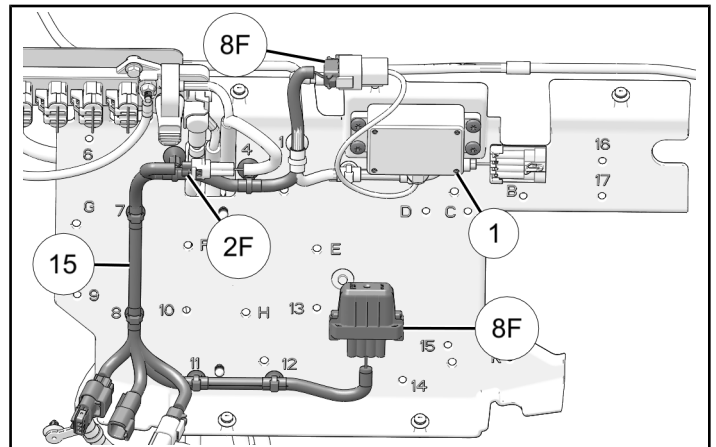
### INSTALL 4500 HD WIRELESS AUTO STOP RECEIVER

1. Put wireless autostop receiver ① in position on mounting surface located in top right of the Pulse panel. Install using screws ⑯ and tighten until secure.

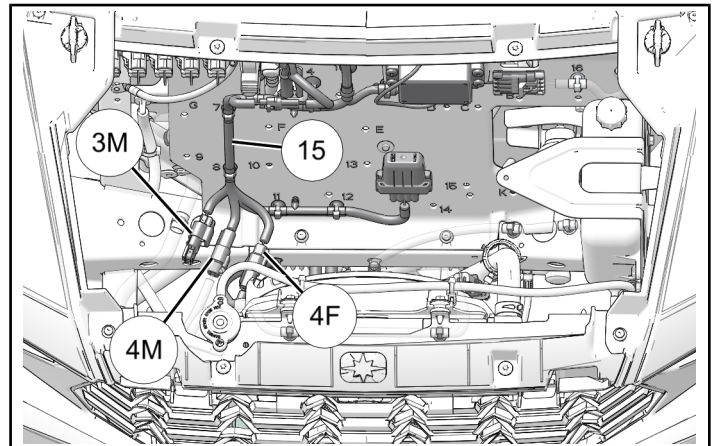


### INSTALL 4500HD ACCESSORY HARNESS

1. Install push pin clip attached to fuse block in location J in Pulse panel. Route 4500HD Accessory Harness ⑮ along panel installing in sequence 12, 11, 8, 7, 5, 4 and 1. Connect **8F** to wireless receiver ①. Connect **2F** to winch harness.

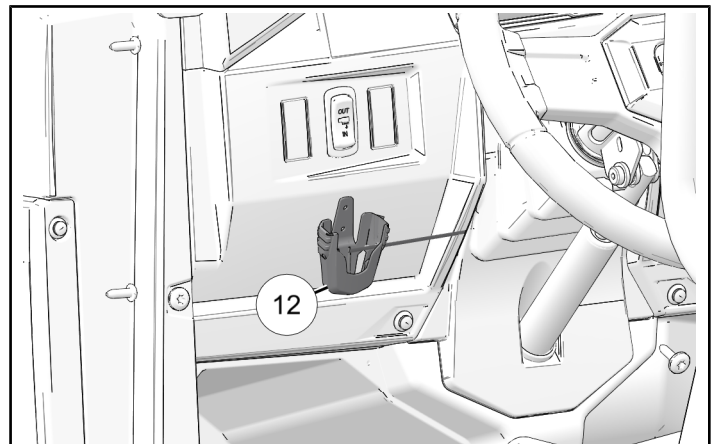


2. Connect **4F** to winch. Connect **4M** to main chassis harness. Connect **3M** to Ride Command (if equipped).

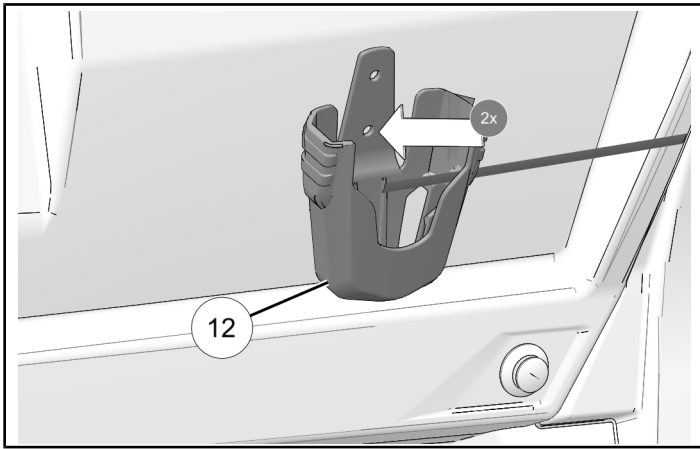


### INSTALL 4500HD REMOTE CONTROL

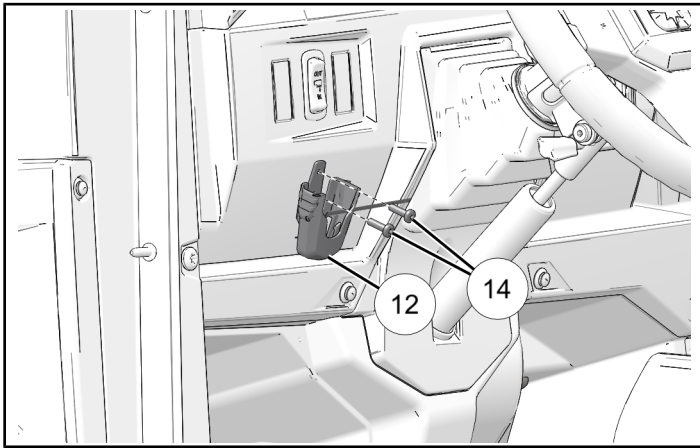
1. Place remote control mount ⑫ in location shown.



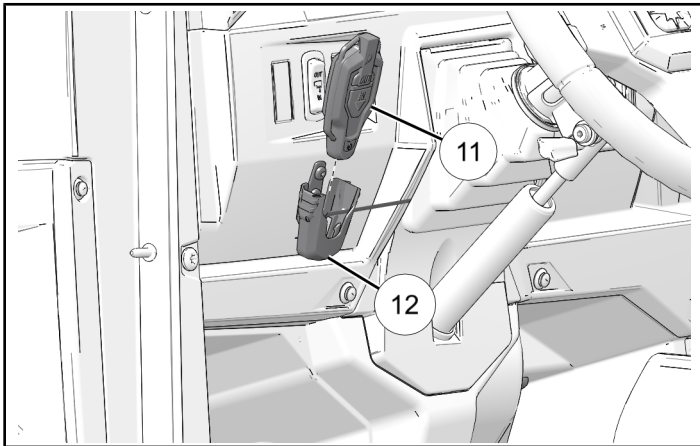
2. Locate and drill two holes. Use remote control mount ⑫ as a template to mark the holes.



3. Install remote control mount ⑫ using two screws ⑭.

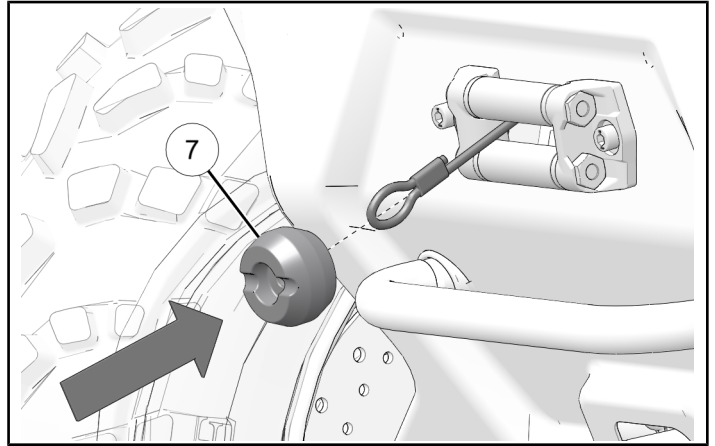


4. Put remote control ⑪ in remote control mount ⑫.

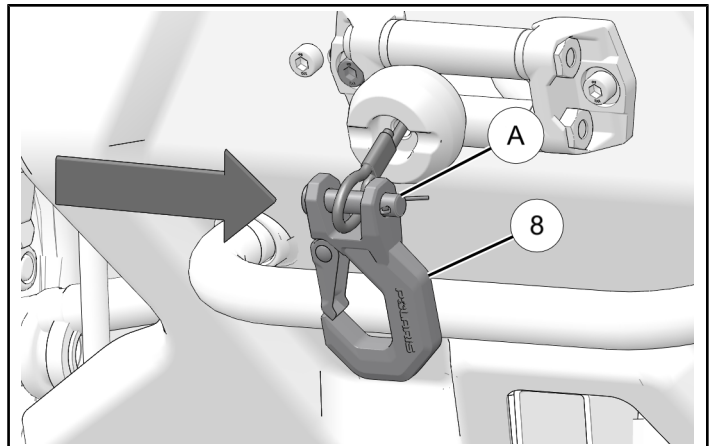


## INSTALL 3500 HOOK AND BUMPER

1. Install jounce bumper ⑦ onto winch cable.

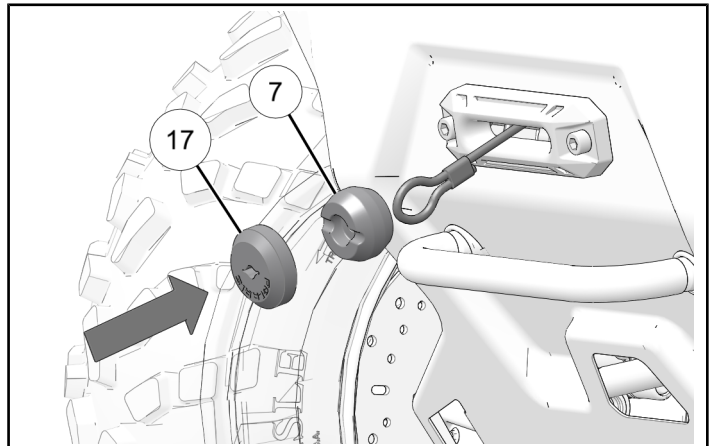


2. Install winch hook ⑧ onto winch cable using pin ① and hairpin clip. Bend ends of clip around pin to secure.

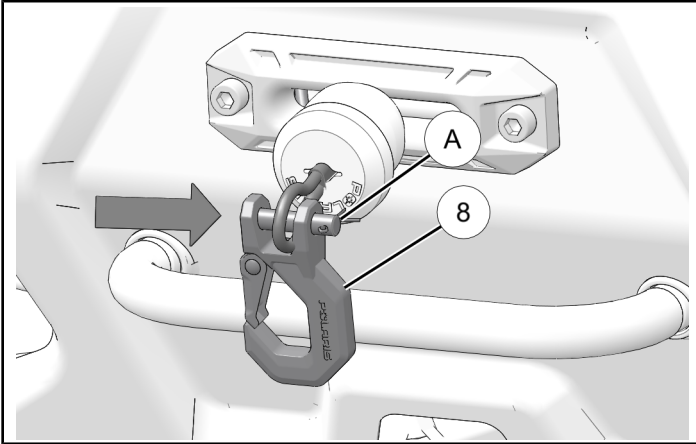


## INSTALL 4500HD HOOK MAGNET AND BUMPER

1. Install jounce bumper ⑦ and Auto Stop magnet ⑰ on winch cable.

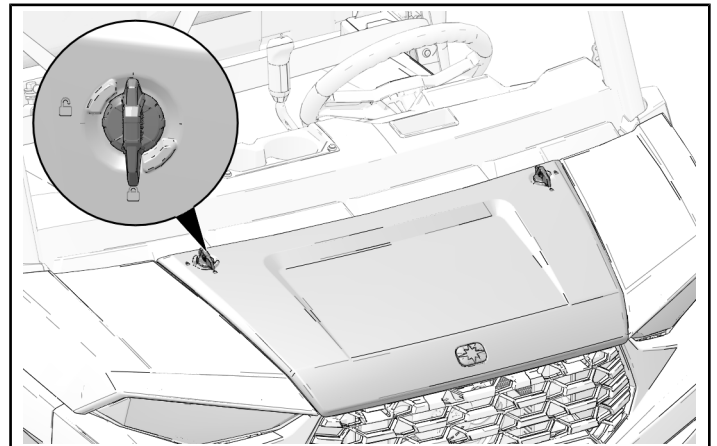


2. Install winch hook (8) onto winch cable using pin (A) and hairpin clip. Bend ends of clip around pin to secure.



## HOOD INSTALLATION

1. Align hood with vehicle and turn two quarter-turn fasteners to lock position to install hood.



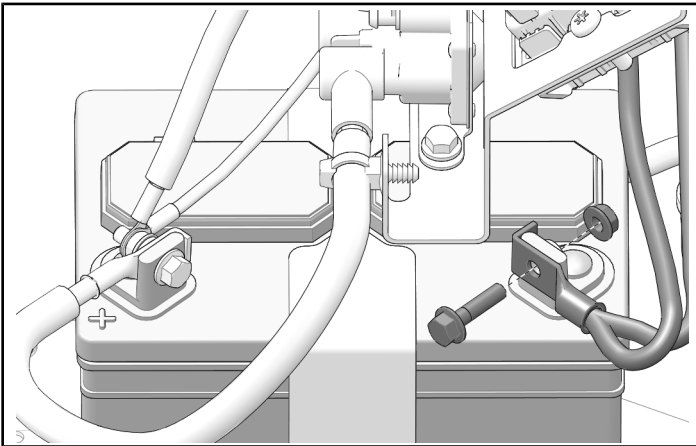
## VEHICLE REASSEMBLY

### BATTERY CONNECT

1. Install negative (black) battery cable(s) to negative battery terminal with retained hardware. Counterhold nut and torque one bolt to specification.

#### TORQUE

Battery Terminal Bolt:  
**62 in-lbs (7 N·m)**



## OPERATION

1. For winch operation procedures see Winch Guide included in kit.

## INSTRUCTION FEEDBACK FORM

A feedback form has been created for the installer to provide any comments, questions or concerns about the installation instructions. The form is viewable on mobile devices by scanning the QR code or by clicking [HERE](#) if viewing on a PC.

