

LIGHT BAR HARNESS KIT



P/N 2884657

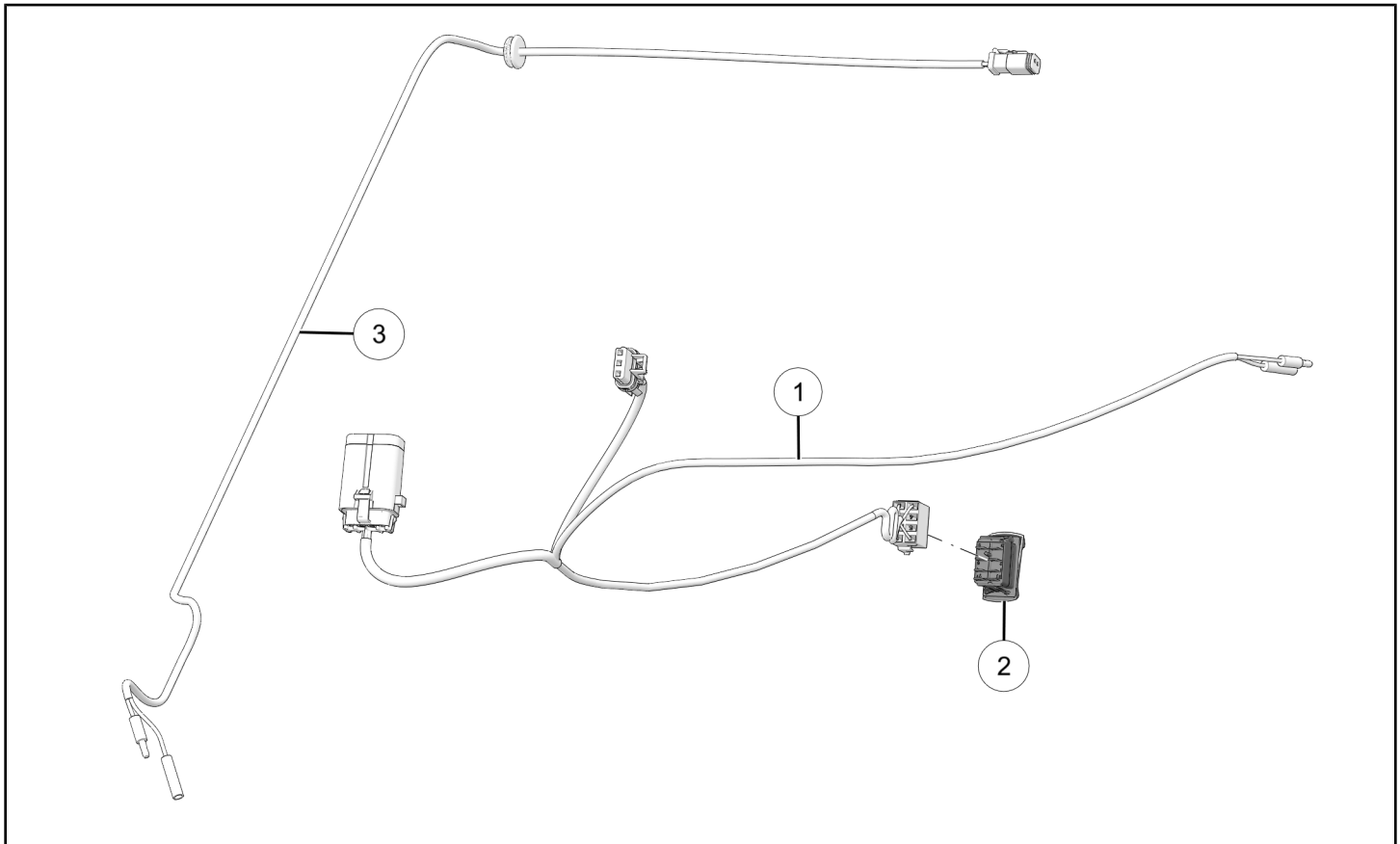
BEFORE YOU BEGIN

Read these instructions and check to be sure all parts and tools are accounted for. Please retain these installation instructions for future reference and parts ordering information.

APPLICATION

Verify accessory fitment at www.polaris.com.

KIT CONTENTS



REF	QTY	PART DESCRIPTION	P/N AVAILABLE SEPARATELY
1	1	Harness–Dashboard, Light Bar	2415651
2	1	Switch–Light	4014558
3	1	Harness–Roll-Cage, Adapter	2412616

TOOLS REQUIRED

- Safety Glasses
- Fish Tape (or equivalent)
- Pliers, Push Pin Rivet
- Pliers, Side Cutting
- Screwdriver Set, Torx®
- Socket Set, Torx® Bit
- Torque Wrench

CONSUMABLES REQUIRED

- Tape, Electrical

IMPORTANT

Your Light Bar Harness Kit is exclusively designed for your vehicle. Please read the installation instructions thoroughly before beginning. Installation is easier if the vehicle is clean and free of debris. For your safety, and to ensure a satisfactory installation, perform all installation steps correctly in the sequence shown.

INSTALLATION INSTRUCTIONS

VEHICLE PREPARATION

GENERAL

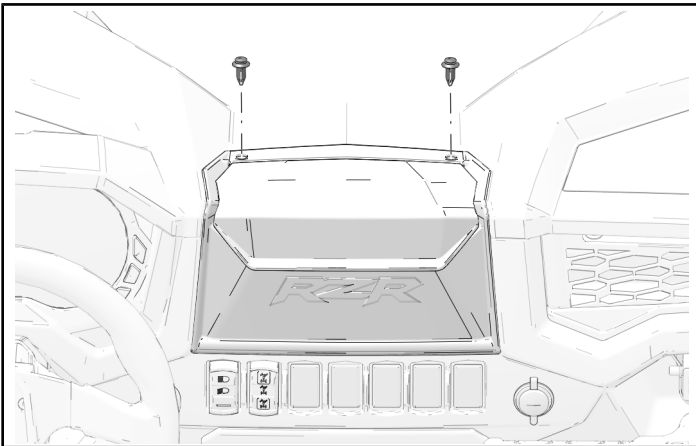
1. Shift vehicle transmission into PARK.
2. Turn key to OFF position and remove from vehicle.

DASHBOARD STORAGE REMOVAL

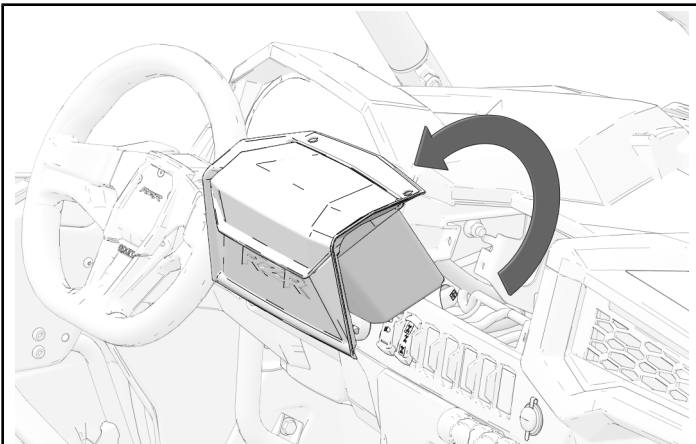
NOTICE

Storage bin shown; audio head unit bezel similar.

1. Remove two push-pin rivets from top of storage compartment.

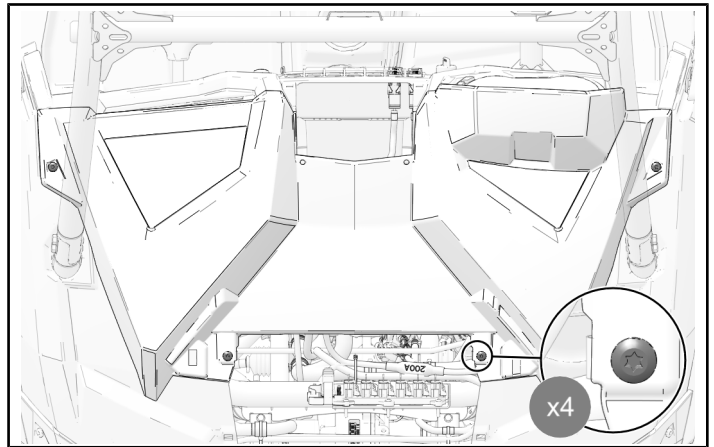


2. Tilt storage compartment rearward to remove from dashboard.

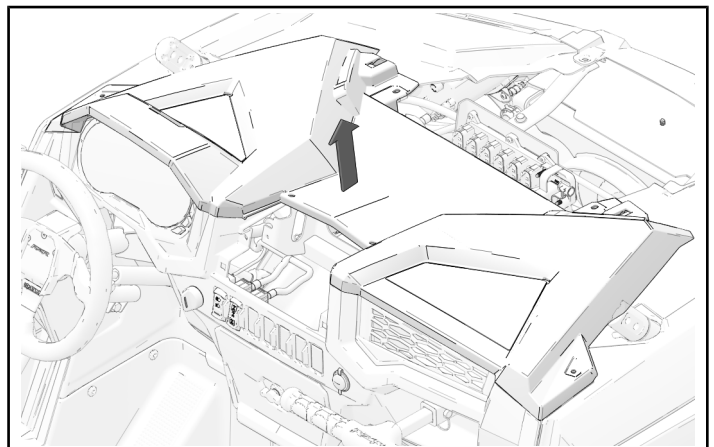


DASHBOARD TOP REMOVAL

1. Remove four dashboard fasteners.



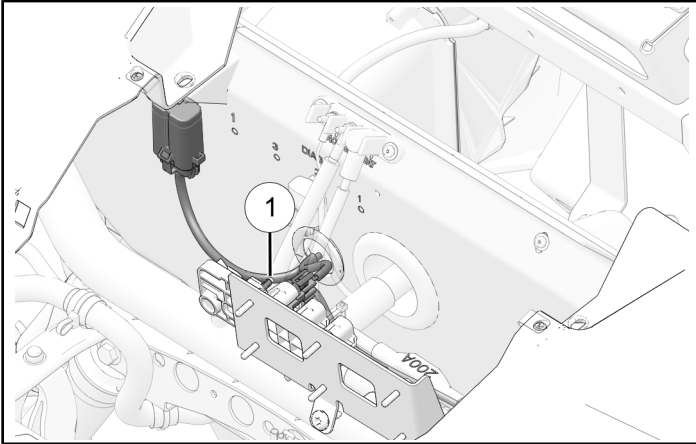
2. Lift dashboard upwards to remove from vehicle.



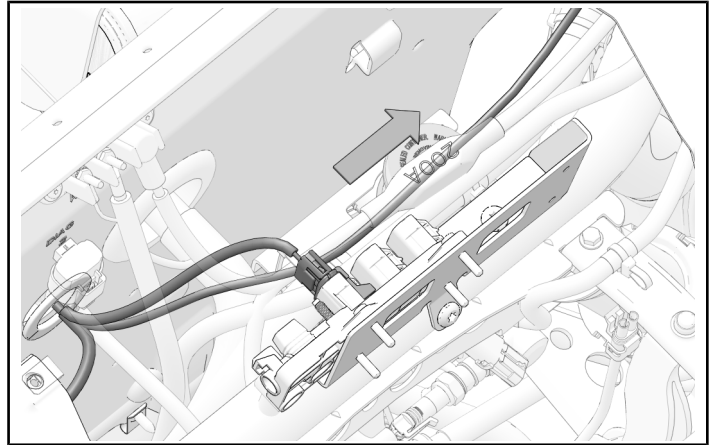
ACCESSORY INSTALLATION

DASHBOARD HARNESS ① INSTALLATION

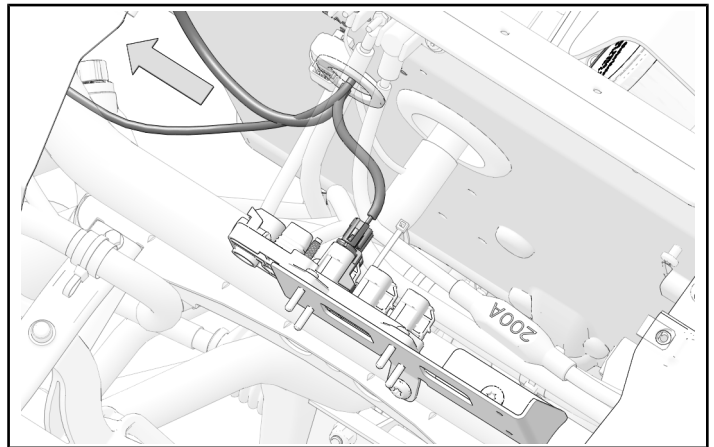
1. Begin dashboard harness ① routing under hood.



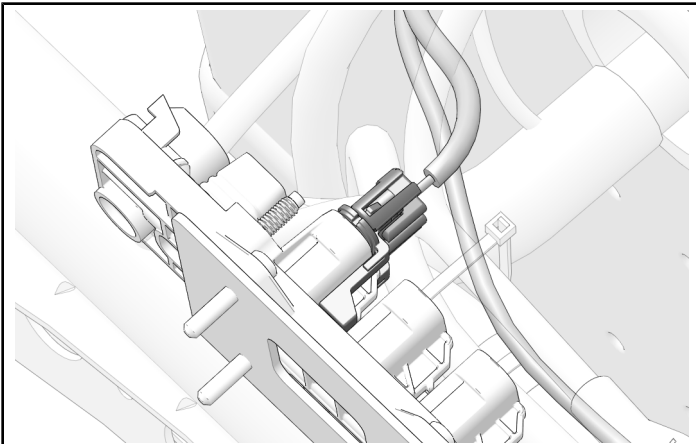
- Rigid® Light Bars
Put bullet connectors towards left-side.



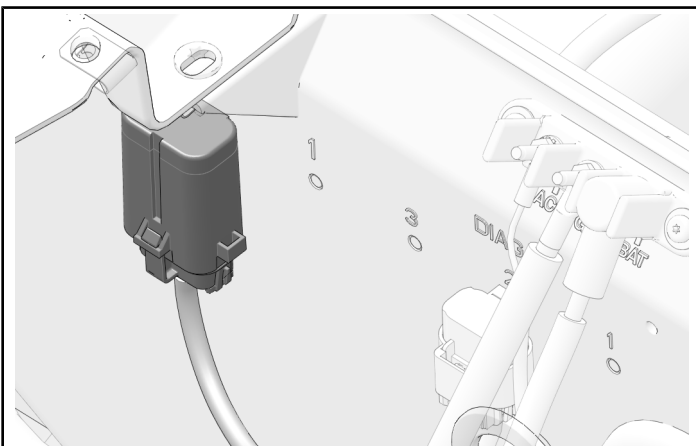
- Pro Armor® Light Bars
Put bullet connectors towards right-side.



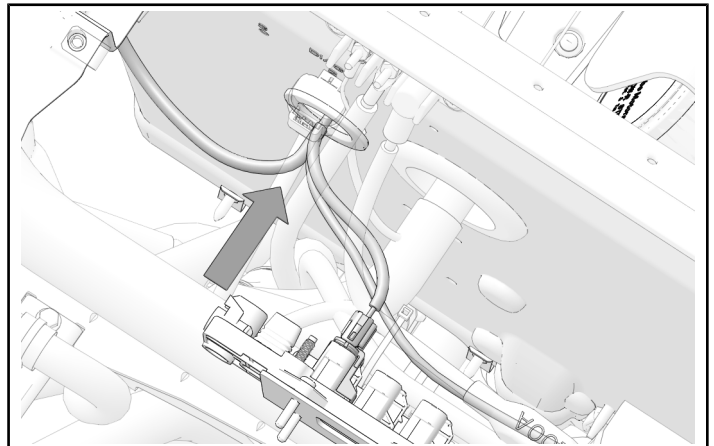
2. Install power connector to Polaris Pulse® bar.



3. Install fuse relay onto firewall.

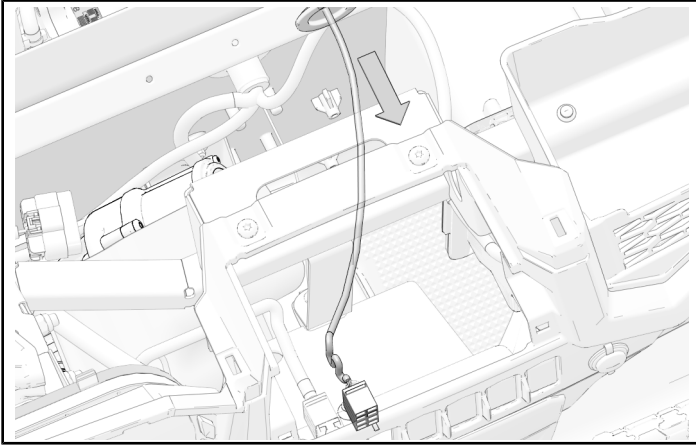


5. Put single switch connector through firewall grommet

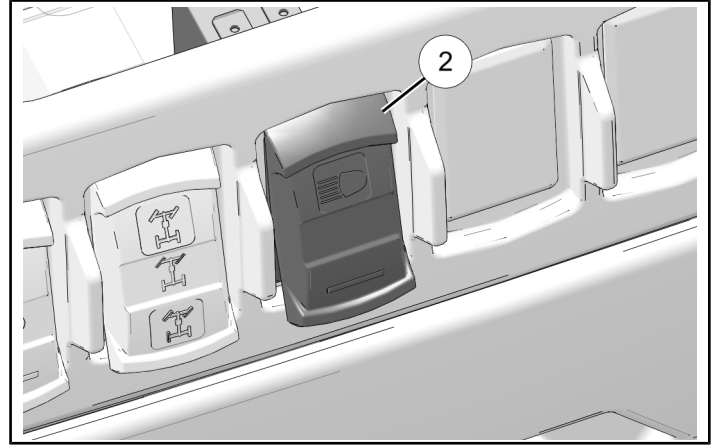


4. Light bar connector routing

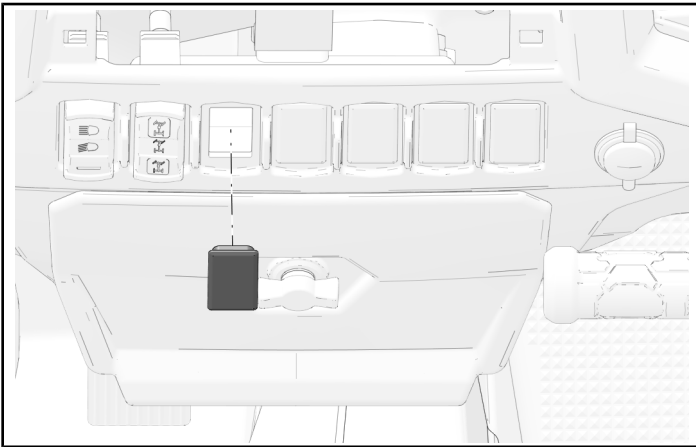
6. Pull switch connector through firewall grommet and pull towards front dashboard.



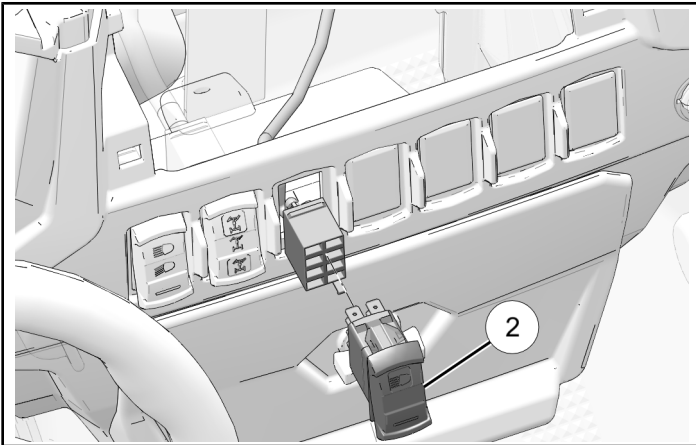
9. Install switch ② into dashboard and press until it snaps into place.



7. Remove blank switch plate.



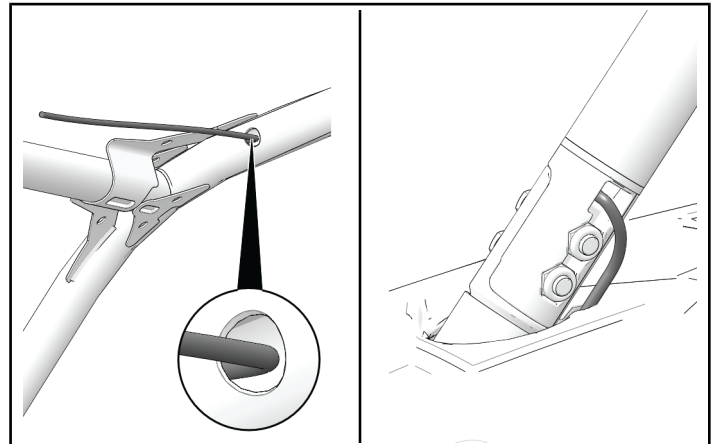
8. Install switch ② to switch connector.



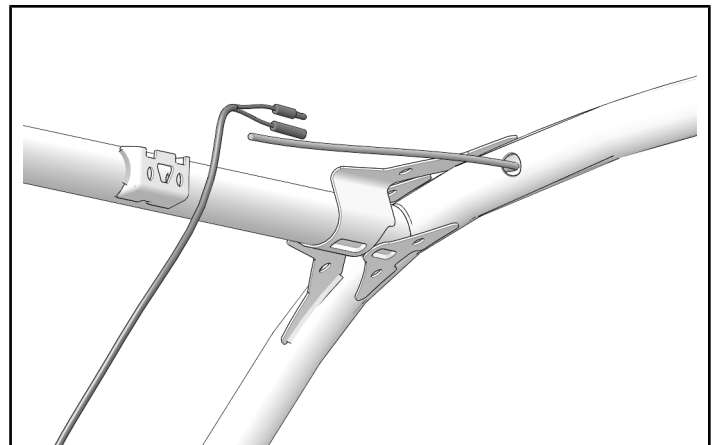
ROLL-CAGE ADAPTER HARNESS ③ INSTALLATION

Roll-cage adapter harness ③ is compatible with Pro Armor® light bars only. Rigid® light bars use harness supplied with light bar kit.

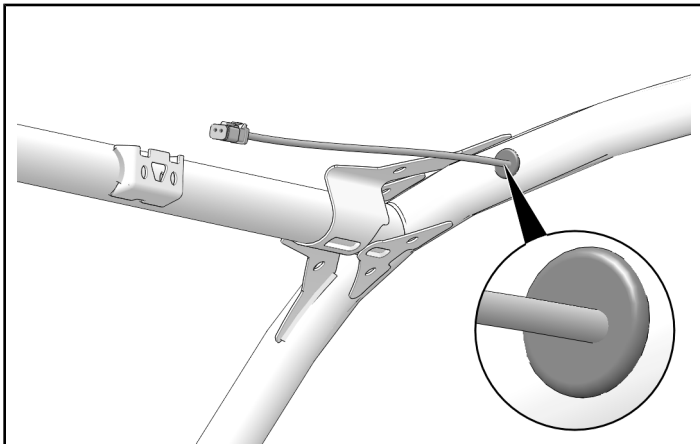
1. Put fish tape (or equivalent) into opening in roll-cage. Locate fish tape and pull from lower roll-cage opening.



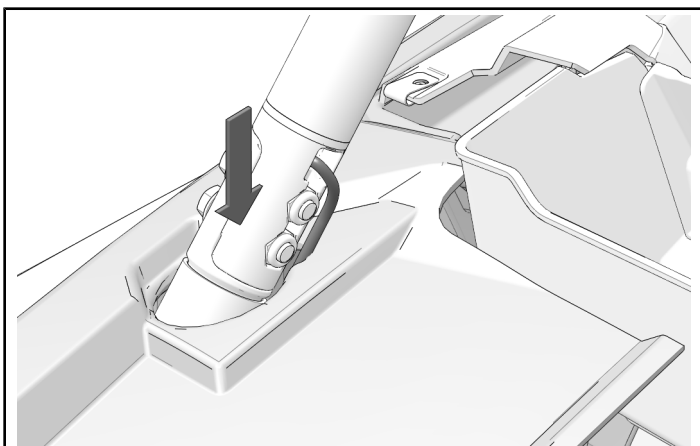
2. Tape roll-cage adapter harness ③ (end with bullet connectors) to fish tape and pull through lower roll-cage opening.



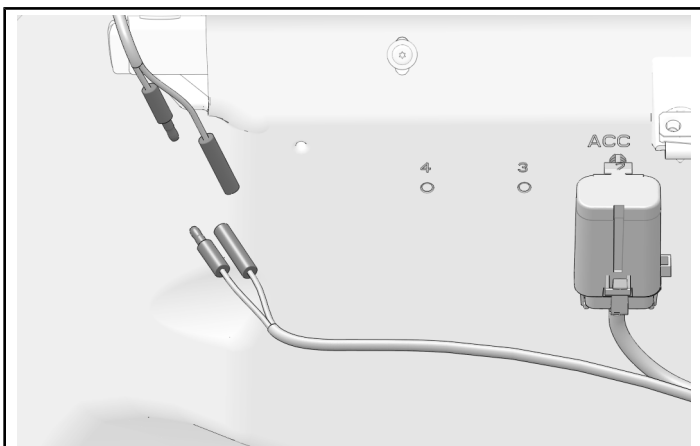
3. Leave enough excess harness to reach light bar (sold separately) and install attached grommet in roll-cage opening.



4. Put connectors, one-by-one, through small cutout in upper fender to reach dashboard harness.



5. Install corresponding connectors. Wrap connections with electrical tape.



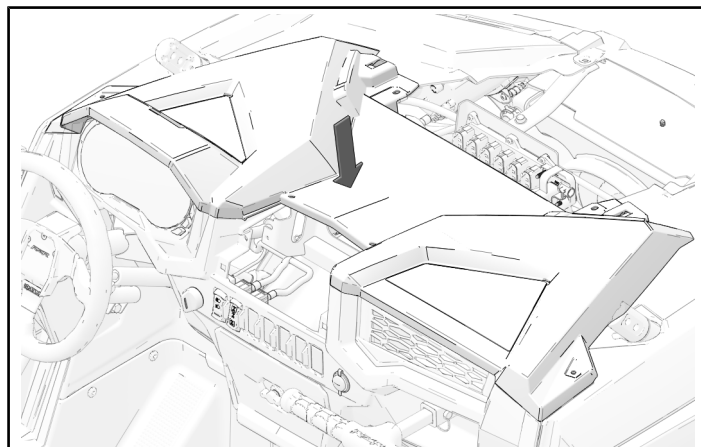
LIGHT BAR INSTALLATION

Refer to light bar installation instructions.

VEHICLE REASSEMBLY

DASHBOARD TOP INSTALLATION

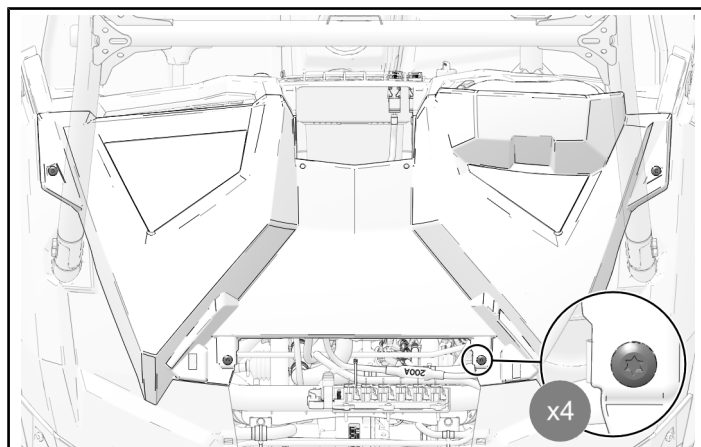
1. Install dashboard on top of front dashboard panel. Make sure top dashboard clips engage with front dashboard.



2. Install dashboard with four dashboard fasteners.

TORQUE

Dashboard Fasteners:
8 ft-lbs (11 N·m)

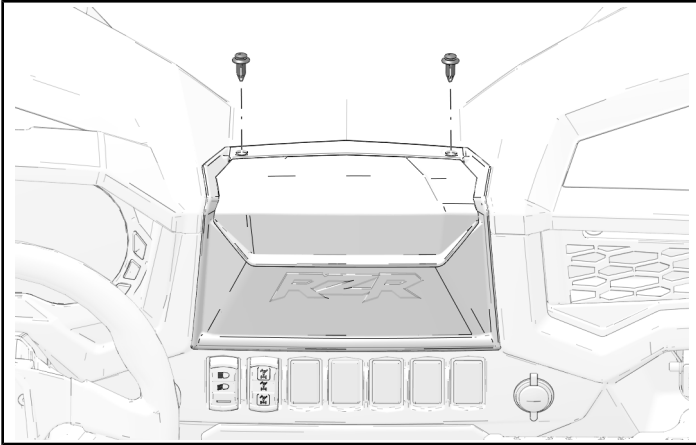


DASHBOARD STORAGE INSTALLATION

NOTICE

Storage bin shown; audio head unit bezel similar.

1. Install storage compartment with two push-pin rivets.

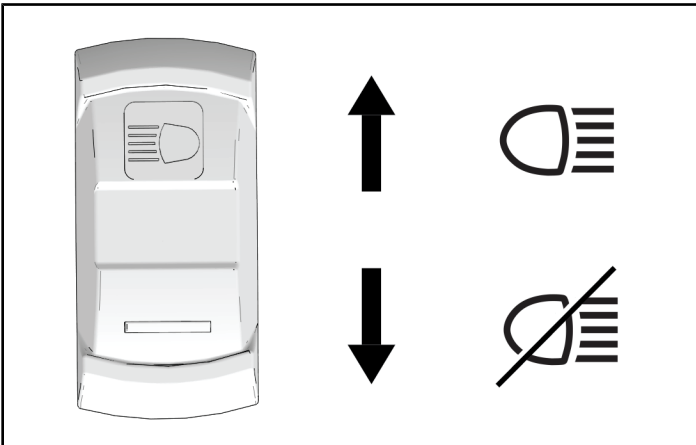


OPERATION

ON/OFF OPERATION

Move switch up to turn accessory light bar on.

Move switch down to turn accessory light bar off.



INSTRUCTION FEEDBACK FORM

A feedback form has been created for the installer to provide any comments, questions or concerns about the installation instructions. The form is viewable on mobile devices by scanning the QR code or by clicking [HERE](#) if viewing on a PC.

