

HOOD RACK KIT



P/N 2885088

BEFORE YOU BEGIN

Read these instructions and check to be sure all parts and tools are accounted for. Please retain these installation instructions for future reference and parts ordering information.

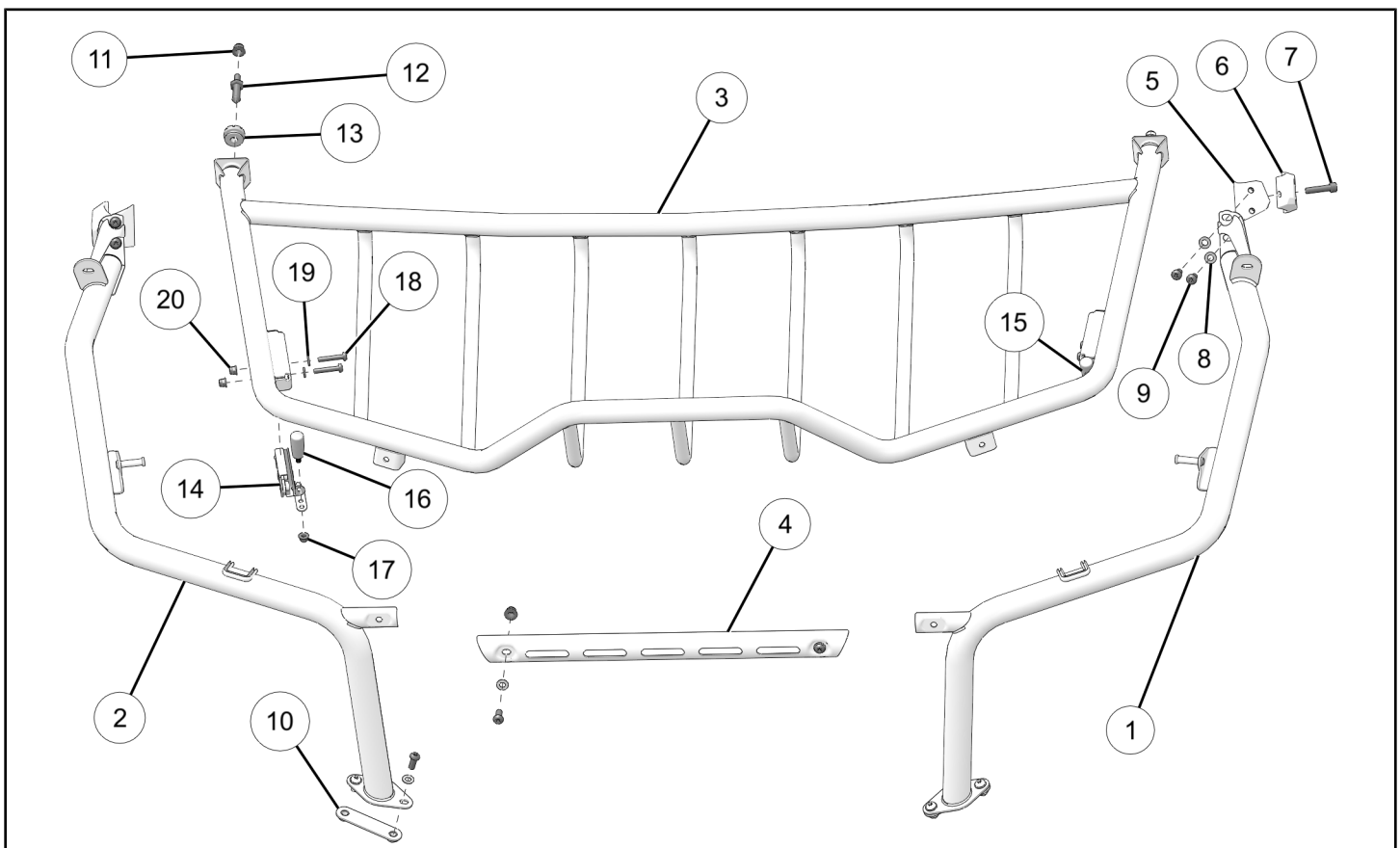
APPLICATION

Verify accessory fitment at www.polaris.com.

IMPORTANT

This Hood Rack Kit cannot be used with the Upper Front Bumper Kit (P/N 2885084).

KIT CONTENTS



| REF | QTY | PART DESCRIPTION | P/N AVAILABLE SEPARATELY |
|-----|-----|-------------------------------|--------------------------|
| 1 | 1 | Weld – Hood Rack, Left-hand | 1026251 |
| 2 | 1 | Weld – Hood Rack, Right-hand | 1026252 |
| 3 | 1 | Weld – Hood Rack, Main Basket | 1026253 |
| 4 | 1 | Tube – Bumper, Front Upper | 5345259 |
| 5 | 2 | Clamp – ROPS Cast, Left-hand | 5639183 |
| 6 | 2 | Clamp – ROPS Cast, Right-hand | 5639184 |

| REF | QTY | PART DESCRIPTION | P/N AVAILABLE SEPARATELY |
|-----|-----|--|--------------------------|
| 7 | 2 | Screw – Torx® Counter Sunk Head, M8 x 1.25 x 35 mm | 7520817 |
| 8 | 10 | Washer – 8.4 x 16.0 x 1.6 mm | 7556043 |
| 9 | 10 | Screw – Torx® Bolt Head, M8 x 1.25 x 20 mm | 7519648 |
| 10 | 2 | Weld – Backer Plate | 1026741 |
| 11 | 4 | Nut – M8 x 1.0 mm | 7547332 |
| 12 | 2 | Pin – Seat Latch | 5910404 |
| 13 | 2 | Grommet – Latch | 5415314 |
| 14 | 1 | Latch, R4-10-12-205-10 | 7082656 |
| 15 | 1 | Latch, R4-10-22-205-10 | 7082657 |
| 16 | 2 | Latch Lever | n/a |
| 17 | 2 | Nut – M6 x 1.0 mm | 7547339 |
| 18 | 4 | Screw – Torx® Pan Head, M6 x 1.0 x 35 mm | 7528038 |
| 19 | 4 | Washer – Flat, M6 x 15 x 3 mm | 7557217 |
| 20 | 4 | Nut – Hex Flange, M6 x 1.0 mm | 7548027 |

TOOLS REQUIRED

- Safety Glasses
- Socket Set, Hex Bit, Metric
- Socket Set, Metric
- Torque Wrench
- Wrench Set, Metric

IMPORTANT

Your Hood Rack Kit is exclusively designed for your vehicle. Please read the installation instructions thoroughly before beginning. Installation is easier if the vehicle is clean and free of debris. For your safety, and to ensure a satisfactory installation, perform all installation steps correctly in the sequence shown.

INSTALLATION INSTRUCTIONS

VEHICLE PREPARATION

GENERAL

1. Park vehicle on a flat surface.
2. Shift vehicle into PARK.
3. Turn key to OFF position and remove key.

ACCESSORY INSTALLATION

CAUTION

Weight limit of Hood Rack is 100 lbs/45 kg. To prevent damage to Hood Rack or vehicle never exceed the standard weight limit of 100 lbs/45 kg.

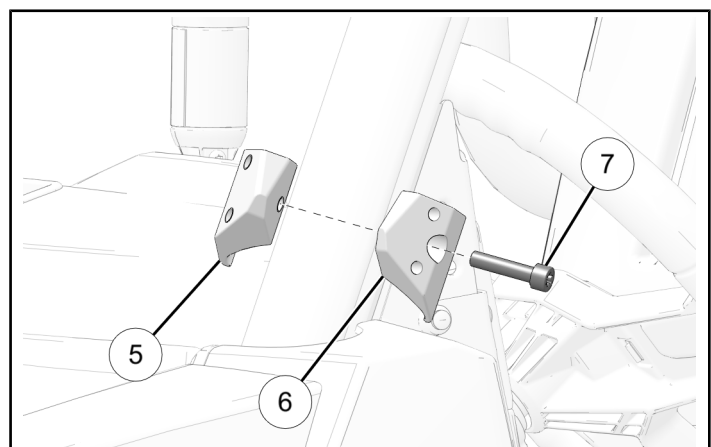
HOOD RACK FRAME INSTALLATION

NOTICE

Left side shown; right side similar.

1. Loosely install the left ROPS clamp ⑤ and right ROPS clamp ⑥ to the ROPS with screw ⑦. Make sure screw is installed to the outside of ROPS on vehicle. Repeat for right side.

Do not torque screws at this time.

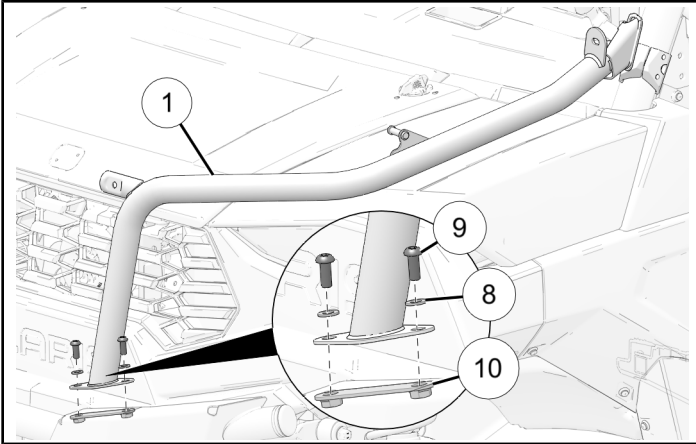


- Loosely install the left hood rack bar ① to the front bumper with backer plate ⑩, two washers ⑧, and two screws ⑨. Repeat for right side.

Do not torque screws at this time.

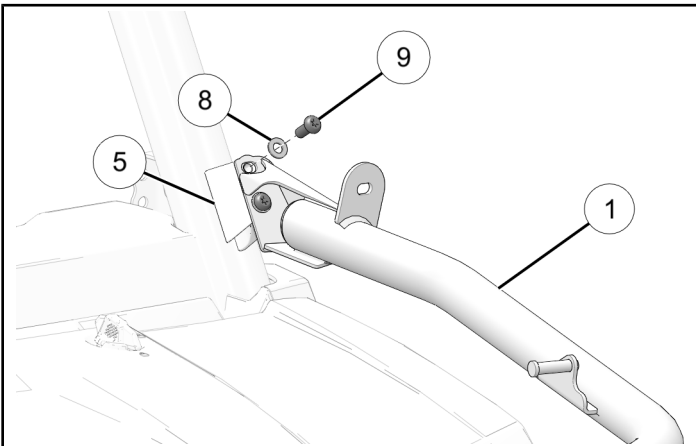
NOTICE

Lower bumper hidden for clarity.



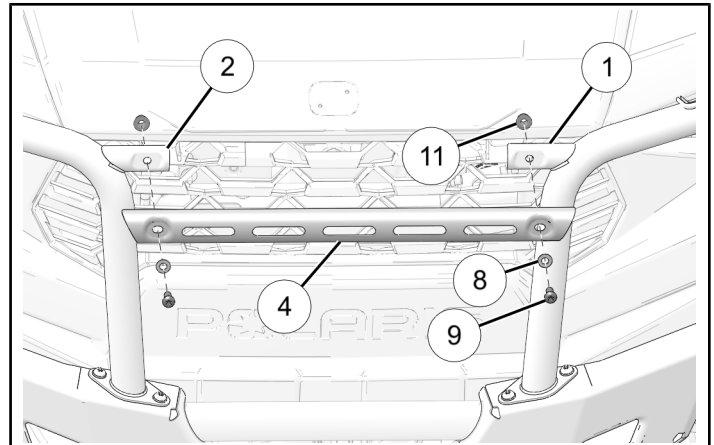
- Loosely install left hood rack bar ① to left ROPS clamp ⑤ with two washers ⑧ and two screws ⑨. Repeat for right side.

Do not torque screws at this time.



- Loosely install the front upper bumper tube ④ to the left hood rack bar ① and the right hood rack bar ② with two screws ⑨, two washers ⑧, and two nuts ⑪.

Do not torque screws at this time.

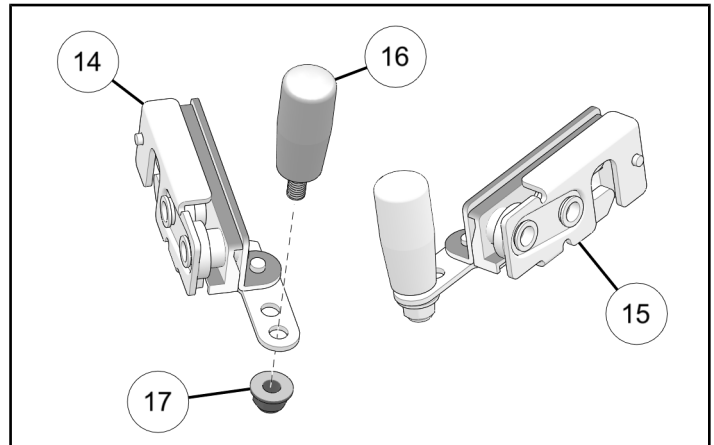


HOOD RACK LATCH INSTALLATION

NOTICE

Left side shown; right side similar.

- Install the latch lever ⑯ to the left latch ⑮ and the right latch ⑭ with nut ⑰.

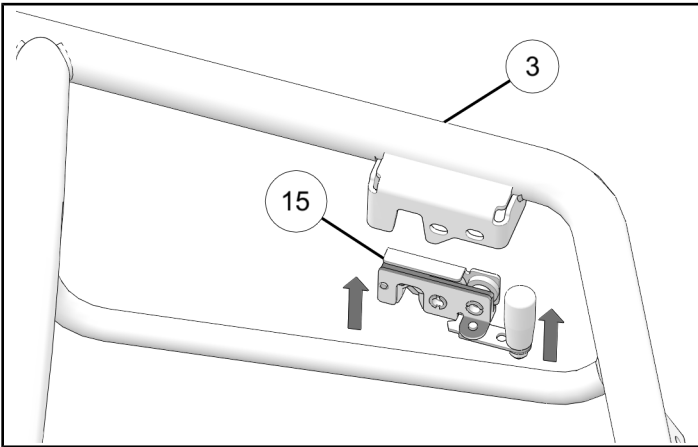


- Torque to specification.

TORQUE

Latch Lever Nut ⑰:
9 ft-lbs (12 N·m)

3. Install left latch ⑮ into bracket on hood rack basket ③.

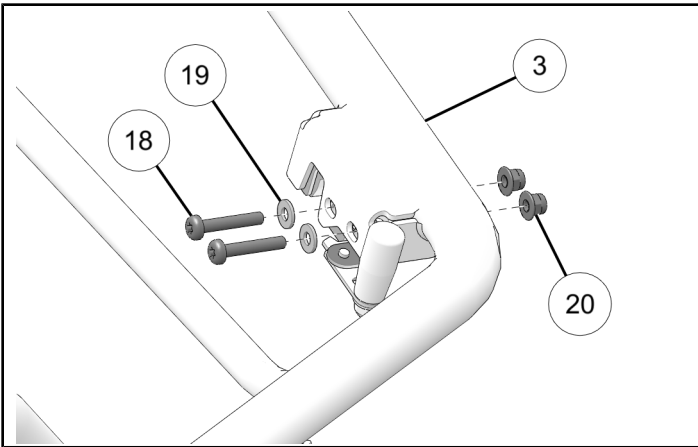


4. Loosely install each latch assembly to the hood rack basket ③ with two screws ⑱, two washers ⑲, and two nuts ⑳.

Do not torque screws at this time.

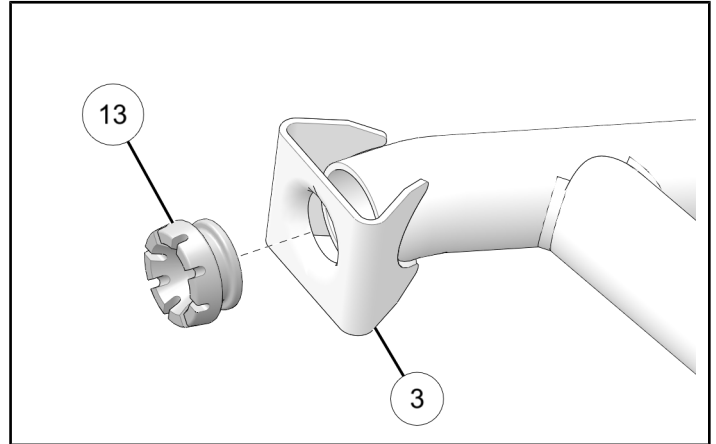
NOTICE

Make sure the latch assemblies are installed with latch lever facing the inside of the hood rack basket.

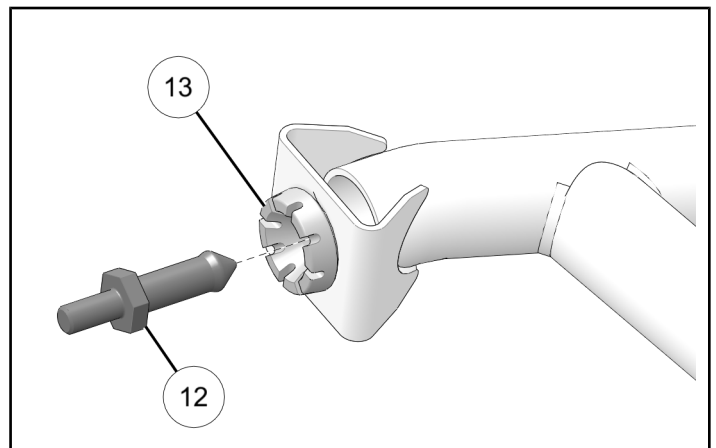


HOOD RACK BASKET INSTALLATION

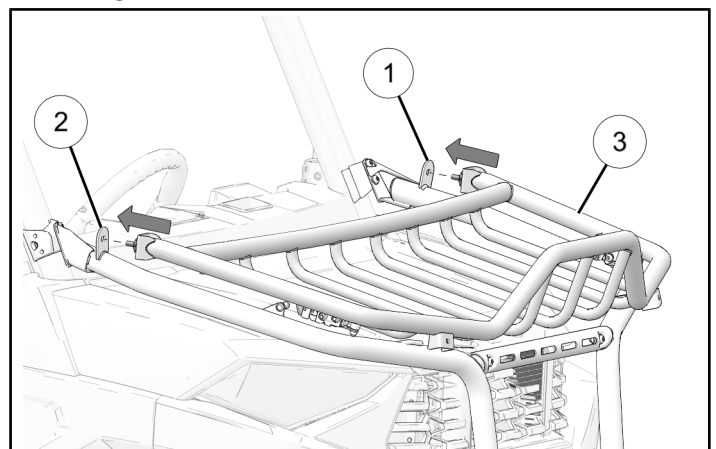
1. If not already installed, install grommet ⑬ into each end of the hood rack basket ③.



2. Install seat latch pin ⑫ into each grommet ⑬.

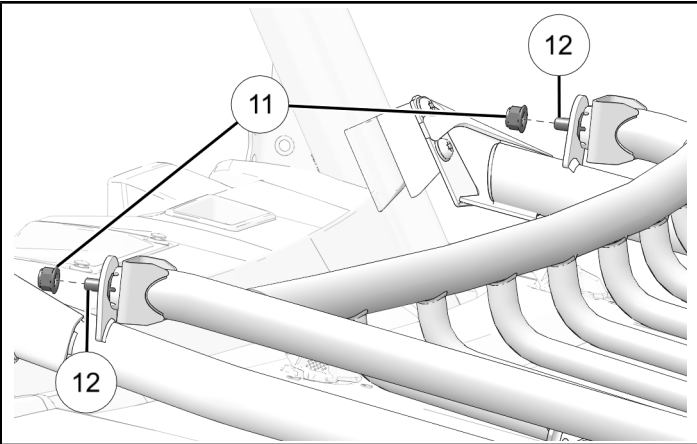


3. Install the hood rack basket ③ through the bracket holes on left hood rack bar ① and right hood rack bar ②.



- Loosely install the hood rack basket nuts ⑪ to each hood rack basket latch pin ⑫.

Do not torque nuts at this time.



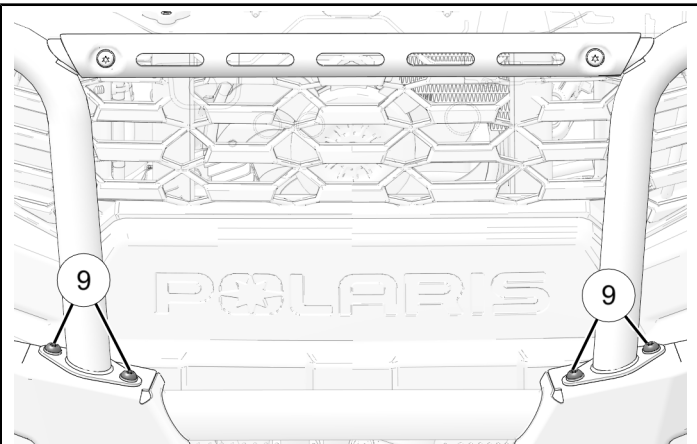
TORQUE HOOD RACK FASTENERS

IMPORTANT

For best fit on the vehicle, torque fasteners starting from the front of the hood rack assembly to the ROPS clamps. Make sure to adjust the hood rack alignment as each fastener is torqued so hood rack assembly sits correctly on the vehicle.

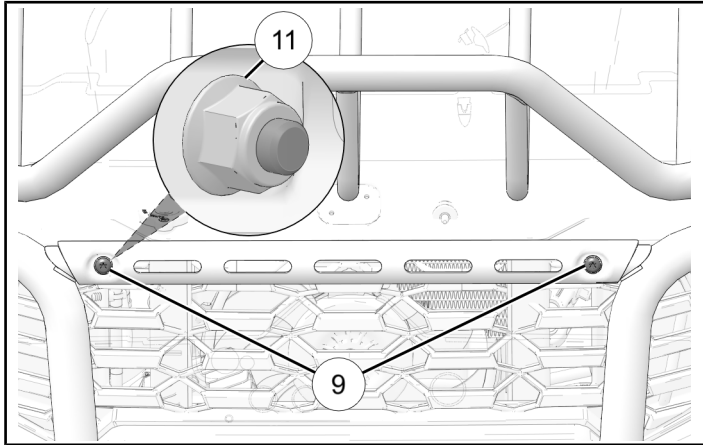
- Torque four hood rack bar screws ⑨ on front bumper to specification.

TORQUE
Hood Rack Bar Screws ⑨:
16 ft-lbs (22 N·m)



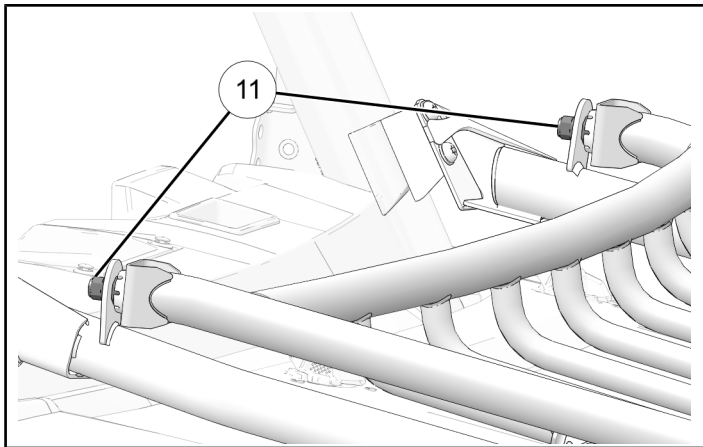
- Counter hold nuts ⑪ and torque front upper bumper tube screws ⑨ to specification.

TORQUE
Front Upper Bumper Tube Screws ⑨:
16 ft-lbs (22 N·m)



- Torque hood rack basket nuts ⑪ to specification.

TORQUE
Hood Rack Basket Nuts ⑪:
16 ft-lbs (22 N·m)



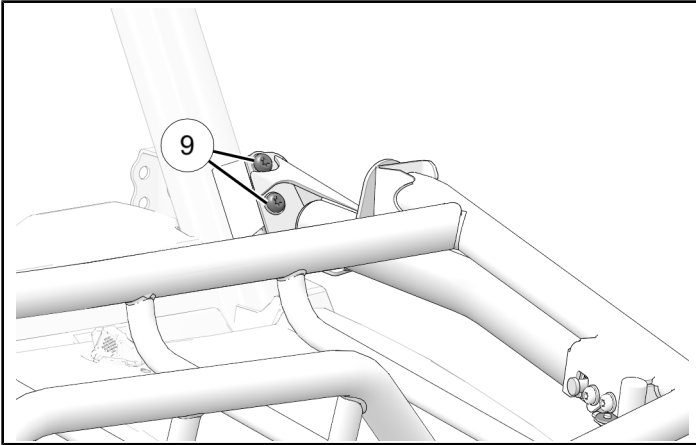
4. Torque four ROPS left-hand clamp screws ⑨ to specification.

NOTICE

Left side shown; right side similar.

TORQUE

ROPS Left-hand Clamp Screws ⑨:
16 ft-lbs (22 N·m)



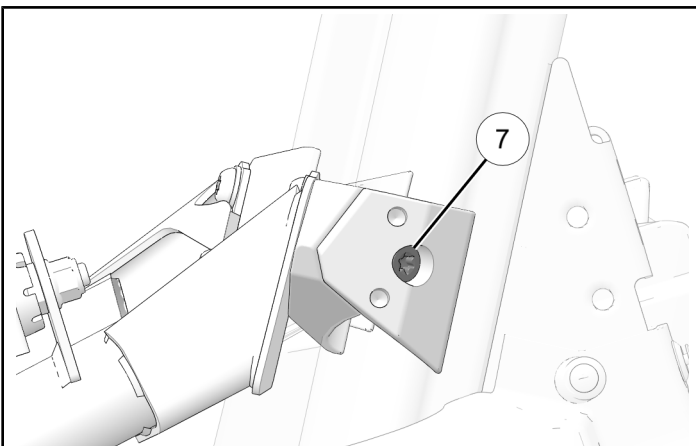
5. Torque two ROPS right-hand clamp screws ⑦ to specification.

NOTICE

Left side shown; right side similar.

TORQUE

ROPS Right-hand Clamp Screws ⑦:
16 ft-lbs (22 N·m)



TORQUE LATCH ASSEMBLY FASTENERS

NOTICE

Left side shown; right side similar.

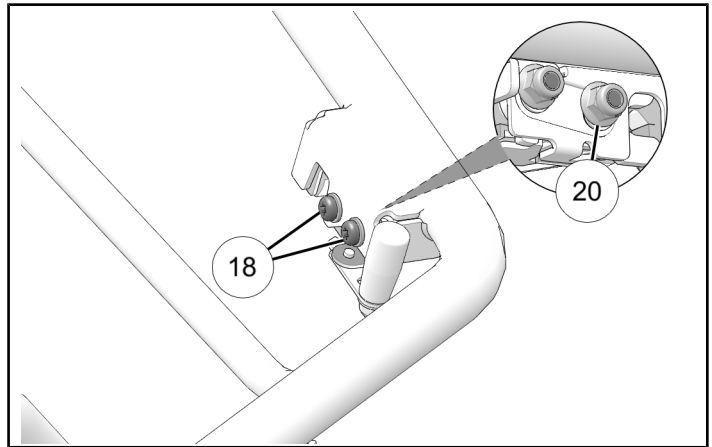
1. Counter hold latch nuts ⑳ and torque latch screws ⑱ to specification.

TORQUE

Latch Screws ⑱:
9 ft-lbs (12 N·m)

NOTICE

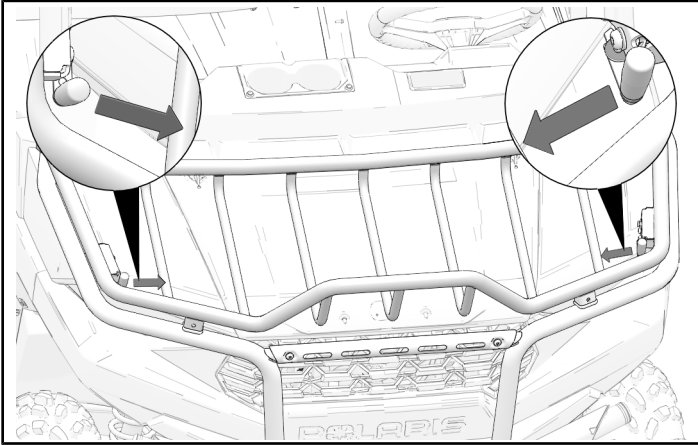
Adjust as needed for correct engagement.



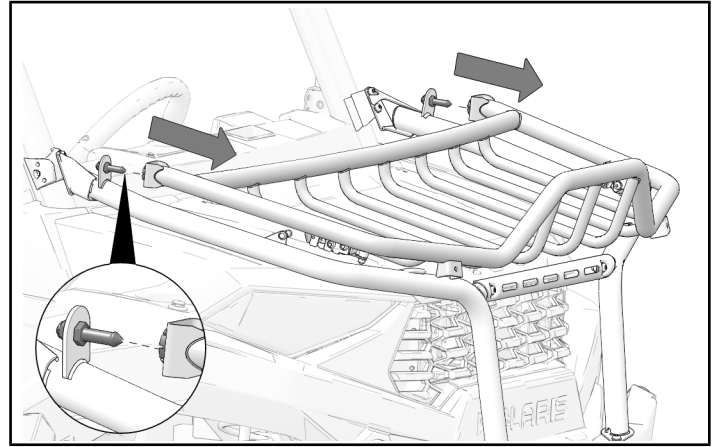
OPERATION

HOOD RACK BASKET REMOVAL

1. Push the left and right latch lever inwards to unlock the hood rack basket.



2. Pull hood rack basket off of seat latch pins.



INSTRUCTION FEEDBACK FORM

A feedback form has been created for the installer to provide any comments, questions or concerns about the installation instructions. The form is viewable on mobile devices by scanning the QR code or by clicking [HERE](#) if viewing on a PC.

