

DASHBOARD AUDIO KIT



P/N 2885081

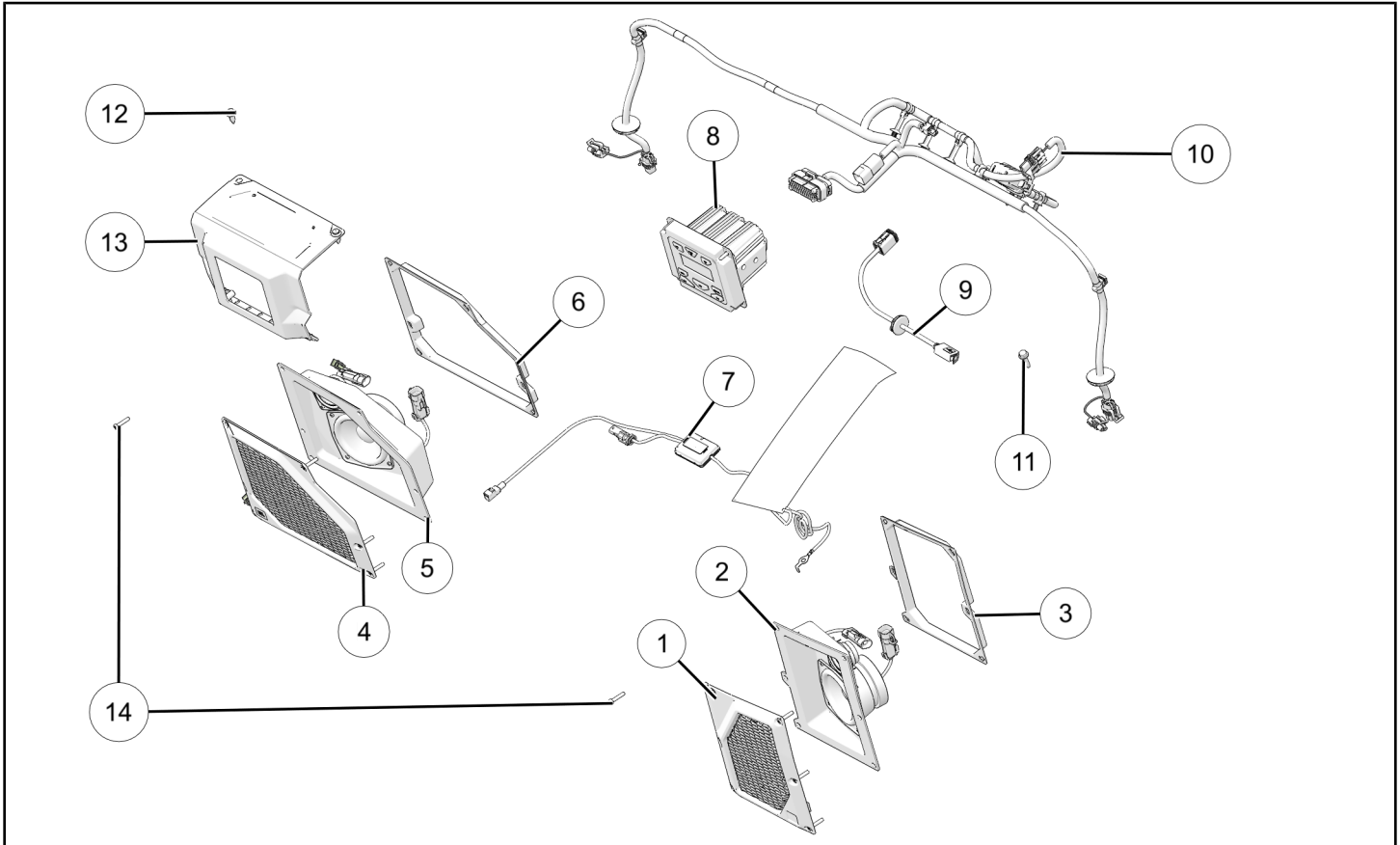
BEFORE YOU BEGIN

Read these instructions and check to be sure all parts and tools are accounted for. Please retain these installation instructions for future reference and parts ordering information.

APPLICATION

Verify accessory fitment at www.polaris.com.

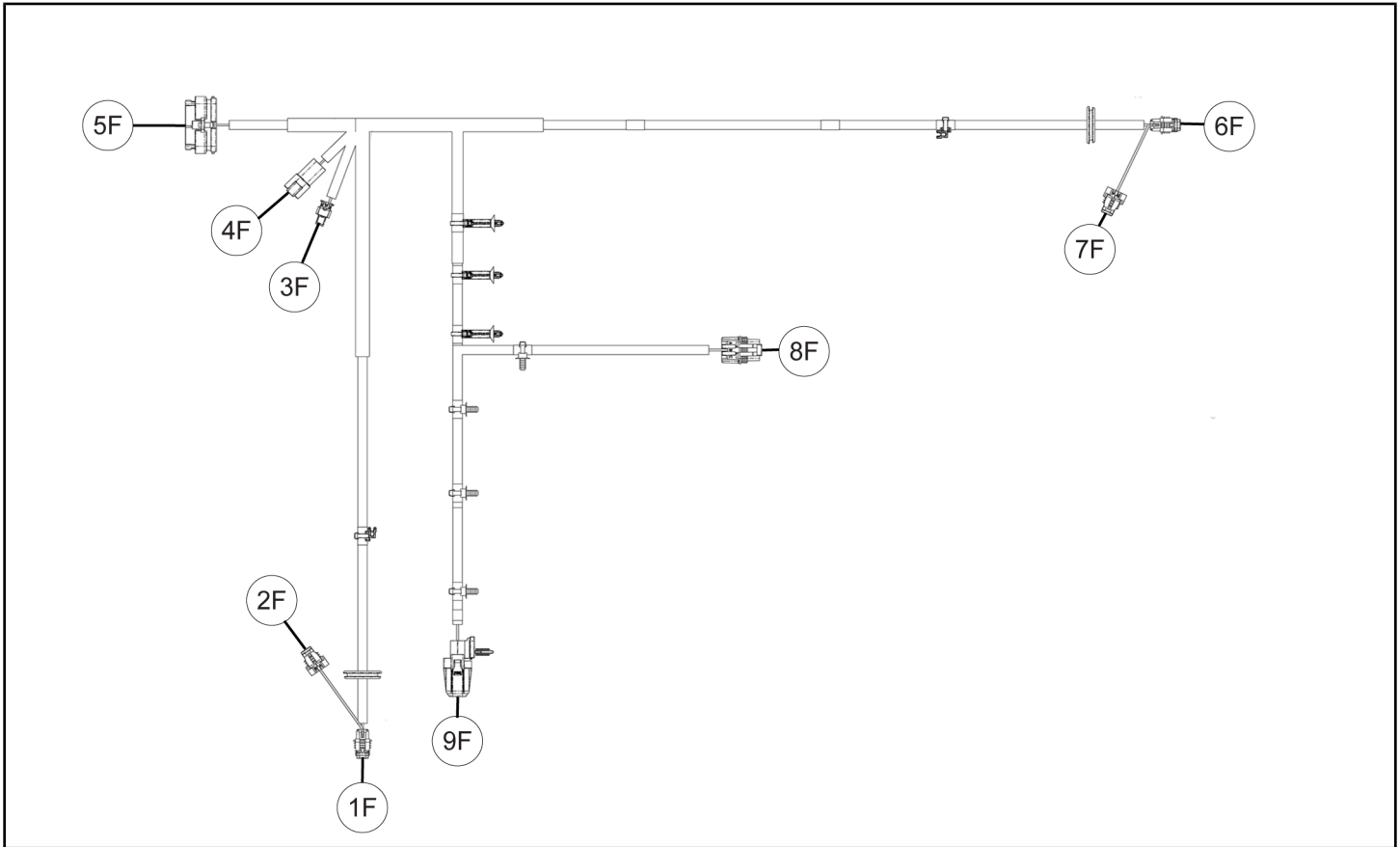
KIT CONTENTS



REF	QTY	PART DESCRIPTION	P/N AVAILABLE SEPARATELY
1	1	Right Speaker Cover	2415972
2	1	Right Speaker	2638579
3	1	Right Speaker Seal	5417897
4	1	Left Speaker Cover	2415971
5	1	Left Speaker	2638578
6	1	Left Speaker Seal	5417896
7	1	Antenna, AM-FM	4080787
8	1	Audio Head, 15 in x 4 in LCD	2415980

REF	QTY	PART DESCRIPTION	P/N AVAILABLE SEPARATELY
9	1	USB Harness	2415498
10	1	Main Audio Harness	2415957
11	1	Screw, M6 x 1.0 x 25 in	N/A
12	2	Tuflok® Rivet	N/A
13	1	Radio Bezel	5458352
14	12	Screw, 10 x 1.0 in	N/A

HARNESS DETAIL



AUDIO HARNESS

REF	PART DESCRIPTION	CONNECTS TO
1F	Mid Driver Front Right	Right Speaker ⑤
2F	TWTR Front Right	Right Tweeter ⑤
3F	AM-FM Connector	Audio Head Unit ⑧
4F	USB Connector	Main Harness ⑩
5F	Audio Connector	Audio Head Unit ⑧
6F	Mid Driver Front Left	Left Speaker ②
7F	TWTR Front Left	Left Speaker ②
8F	Pulse Bar Connector	Pulse Bar

REF	PART DESCRIPTION	CONNECTS TO
9F	Mini Fuse Box	Frame
Example: 16F = 16 pin, Female / 16M = 16 pin, Male (Male terminal fits inside female terminal)		

TOOLS REQUIRED

- Safety Glasses
- Drill
- Drill Bit:
 - 3/16th in (4.8 mm)
- Flashlight
- File, Flat
- Pliers, Push Pin Rivet
- Screwdriver Set, Torx®
- Socket Set, Metric
- Wrench Set, Metric

IMPORTANT

Your Dashboard Audio Kit is exclusively designed for your vehicle. Please read the installation instructions thoroughly before beginning. Installation is easier if the vehicle is clean and free of debris. For your safety, and to ensure a satisfactory installation, perform all installation steps correctly in the sequence shown.

INSTALLATION INSTRUCTIONS

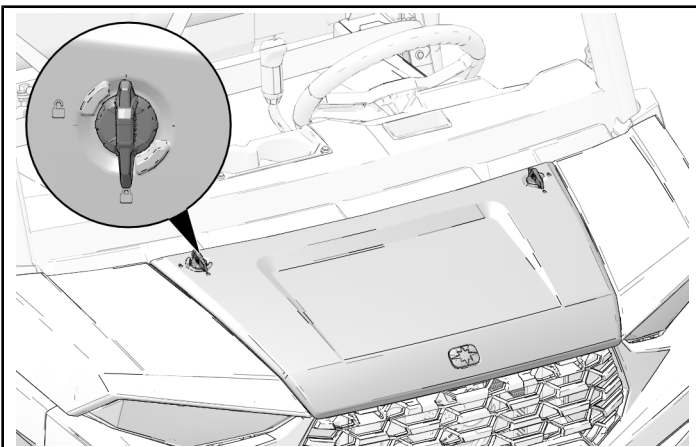
VEHICLE PREPARATION

GENERAL

1. Park vehicle on a flat surface.
2. Shift vehicle into PARK.
3. Turn key to OFF position and remove key.

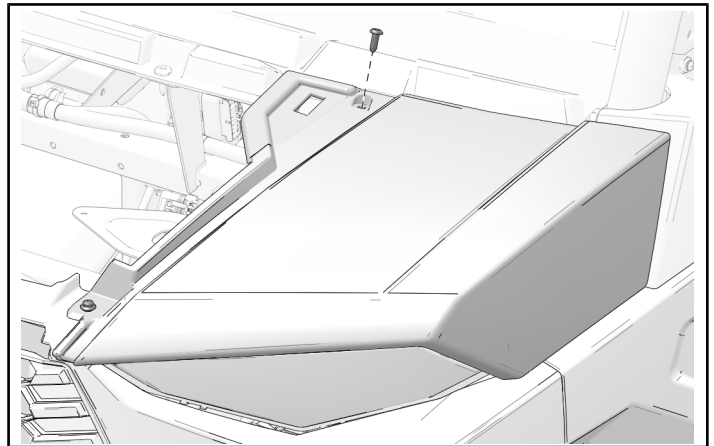
HOOD REMOVAL

1. Turn two quarter-turn fasteners to unlock position to remove hood from vehicle.

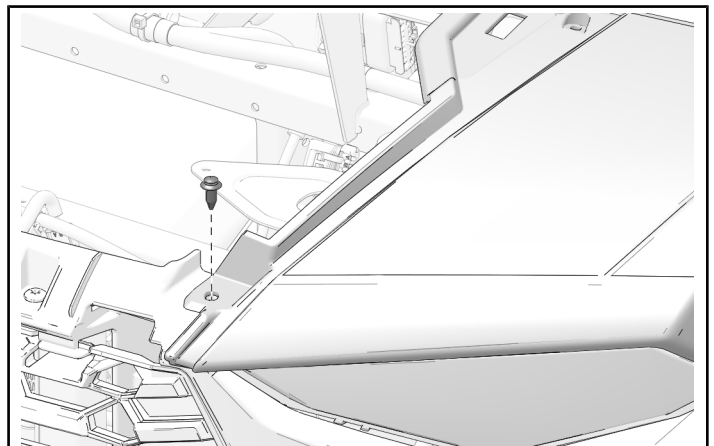


LEFT-HAND HOOD REMOVAL

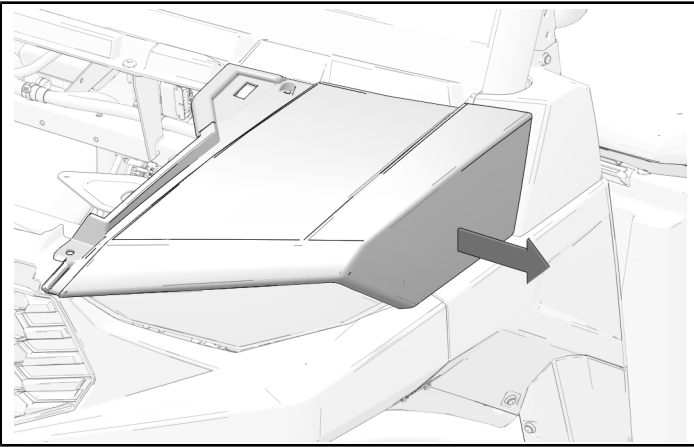
1. Remove and keep one screw from outer hood.



2. Remove and keep one push-pin rivet from outer hood.

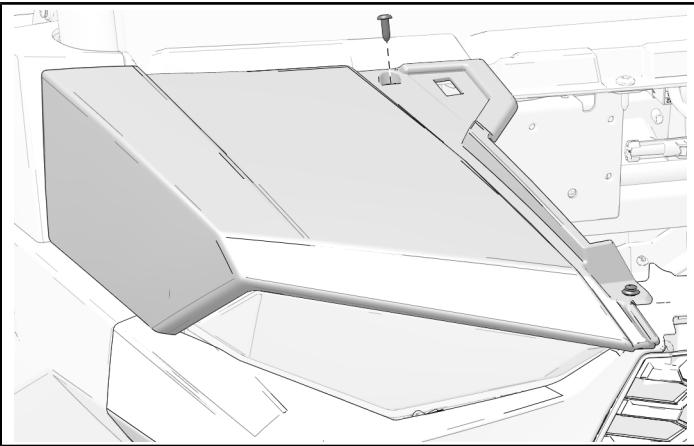


3. Pull outer hood away from vehicle.

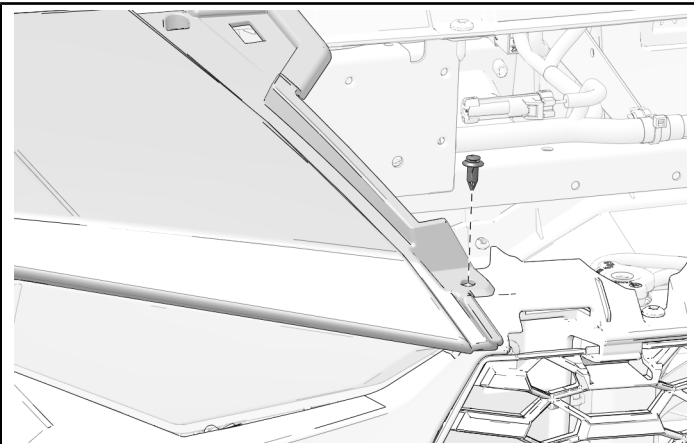


RIGHT-HAND HOOD REMOVAL

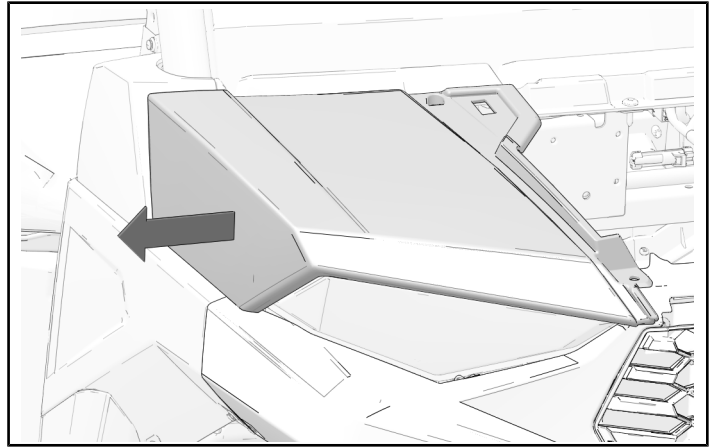
1. Remove and keep one screw from outer hood.



2. Remove and keep one push-pin rivet from outer hood.

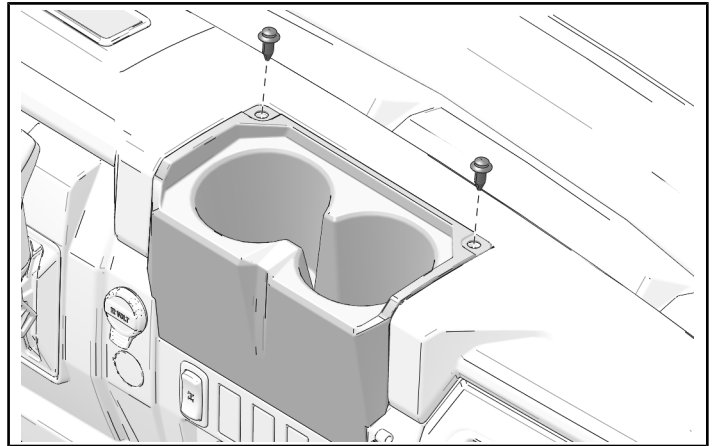


3. Pull outer hood away from vehicle.

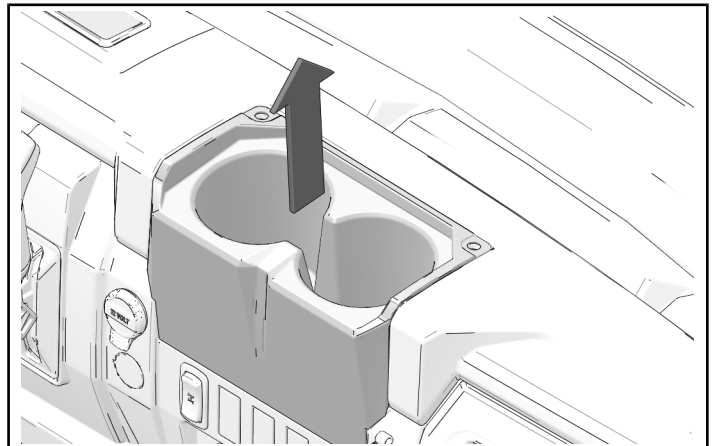


CUP HOLDER REMOVAL

1. Remove two push-pin rivets from cup holder.



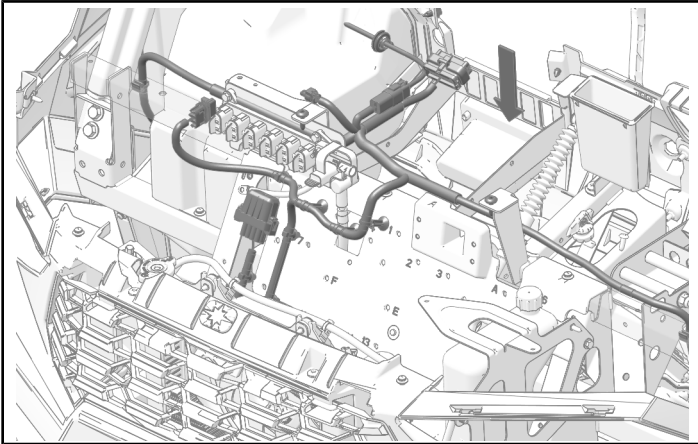
2. Remove cup holder from dashboard.



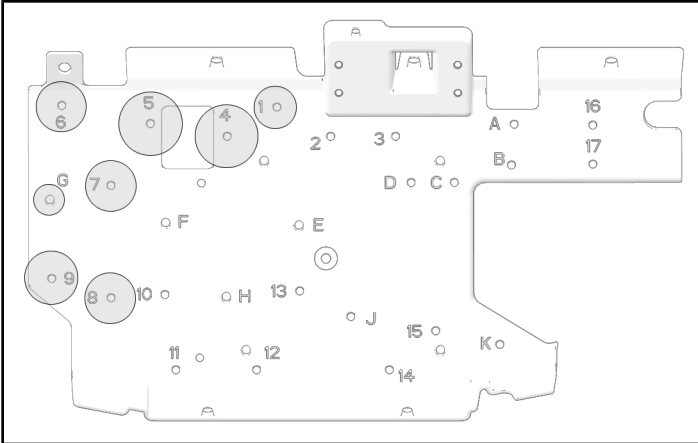
ACCESSORY INSTALLATION

HARNESS INSTALLATION

1. Install audio harness ⑩.

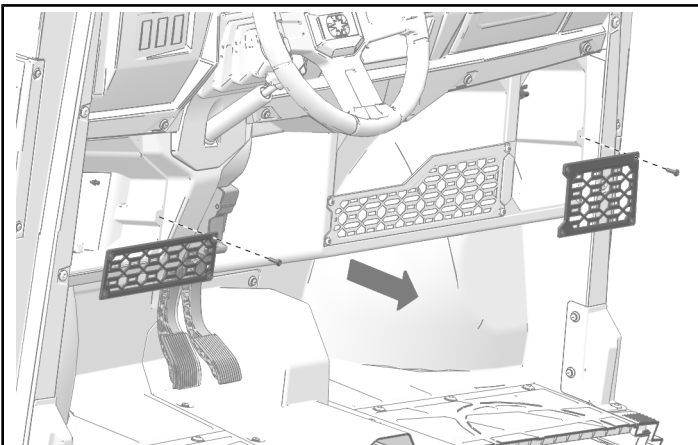


2. Attach harness standoff cable ties to electric mount panel locations using highlighted locations.



SPEAKER INSTALLATION

1. Remove and discard right and left bin nets from lower dashboard. Discard screws.



2. Drill holes through fastener dimples on lower dash panel.

NOTE

Left side shown, right side similar.

MEASUREMENT

Drill Bit Size:
1/8 in (3.18 mm)



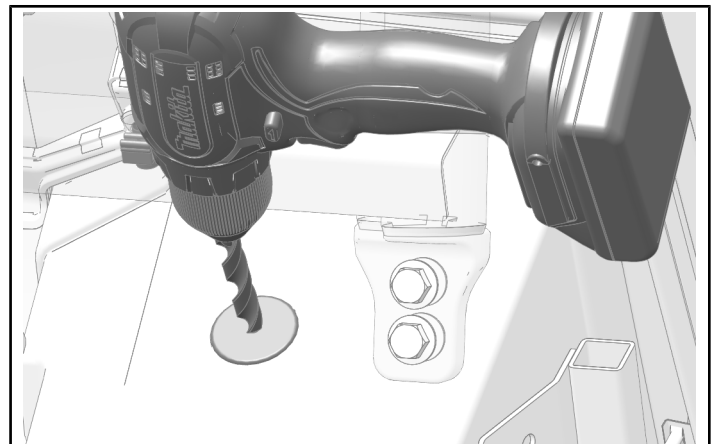
3. Drill speaker harness hole through dimple on outside of speaker compartment on lower dash.

NOTE

Left side ④ shown, right side similar.

MEASUREMENT

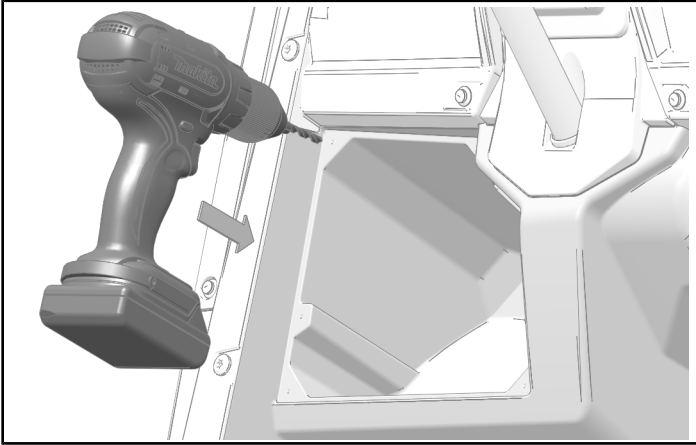
Drill Bit Size:
21/32 in (16.67 mm)



4. Drill 1/8" pilot holes at each drill point.

NOTE

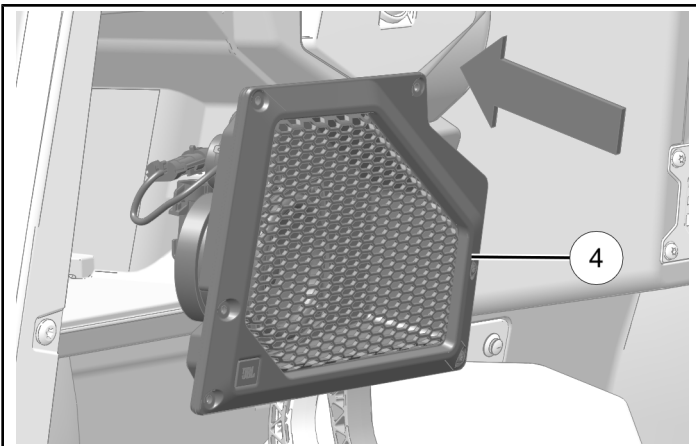
Left side shown, right side similar.



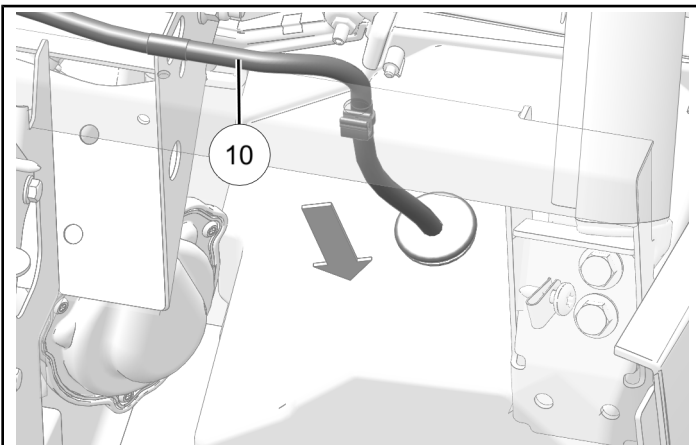
5. Carefully place speakers into slots in front of lower dash..

NOTE

Left side shown, right side similar.



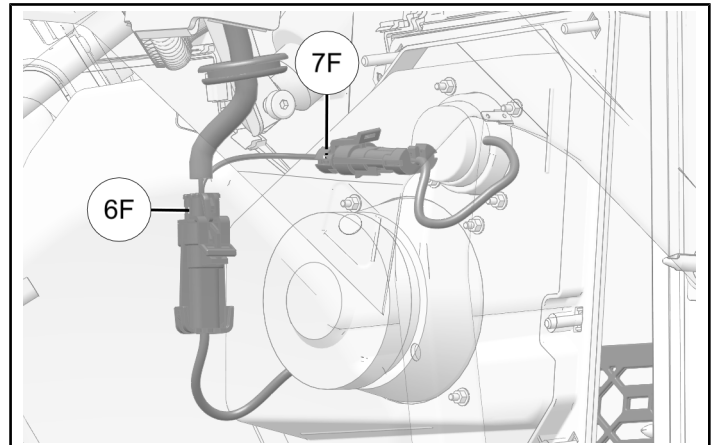
6. Route speaker harness ⑩ through hole in speaker compartment on lower dash. Install grommet when complete.



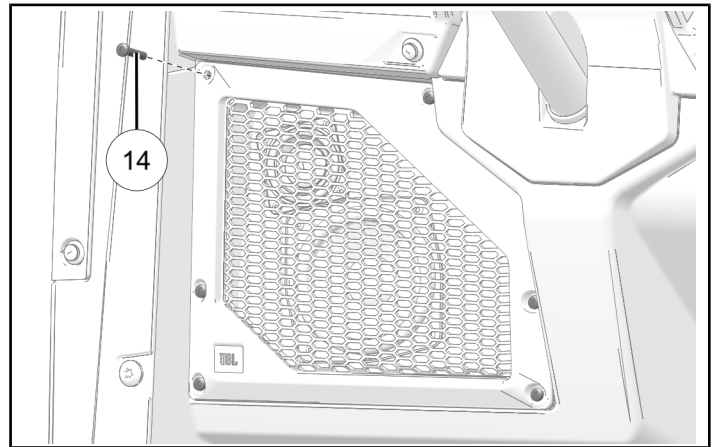
7. Connect 3F and 6F to speaker, and 4F and 7F to tweeter.

NOTE

Left side shown, right side similar.

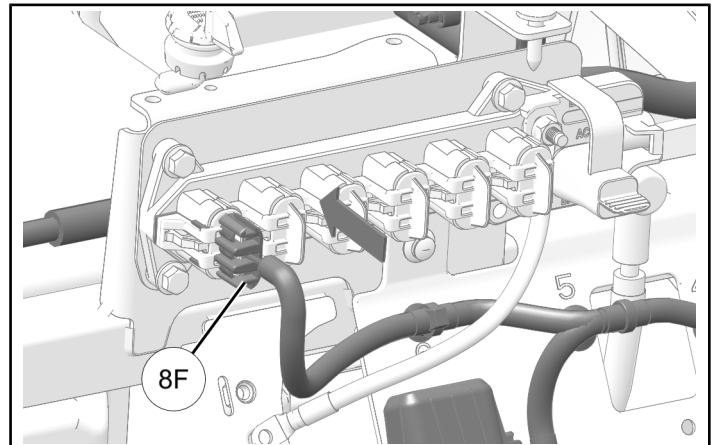


8. Attach speakers with six screws ⑭.

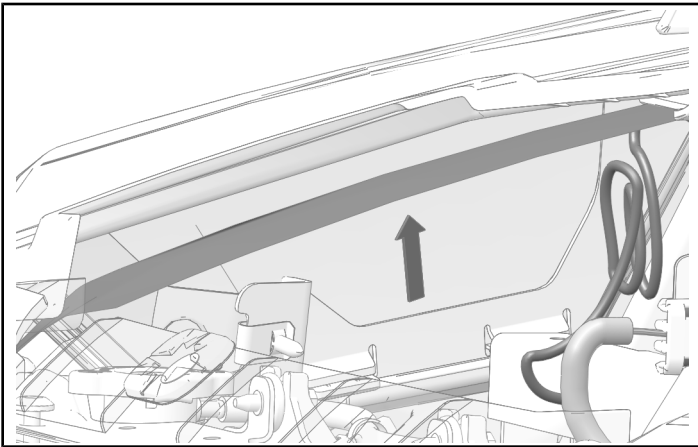


HARNES AND ANTENNA CONNECTION

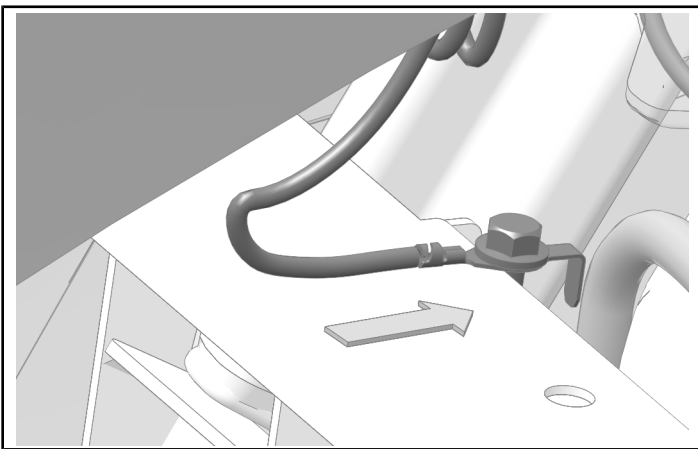
1. Connect audio harness 8F to Pulse® bar.



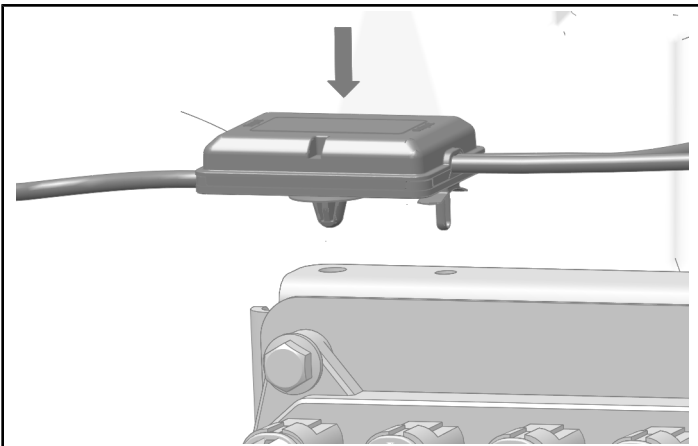
2. Attach AM/FM antenna to the bottom of the fender with adhesive.



3. Connect ground strap.



4. Attach antenna module to bracket using attached push rivets.

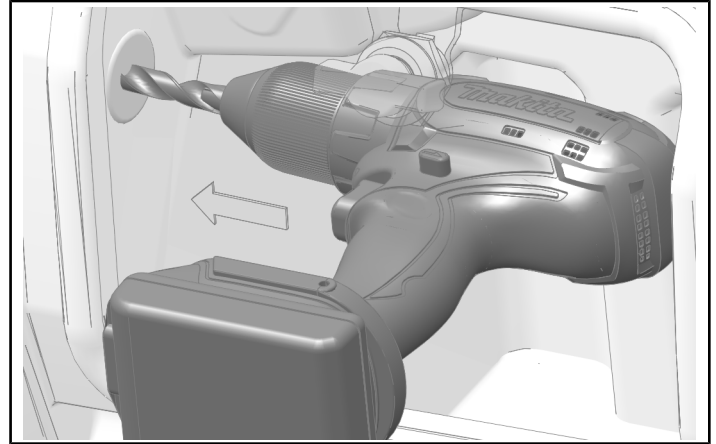


AUDIO INSTALLATION

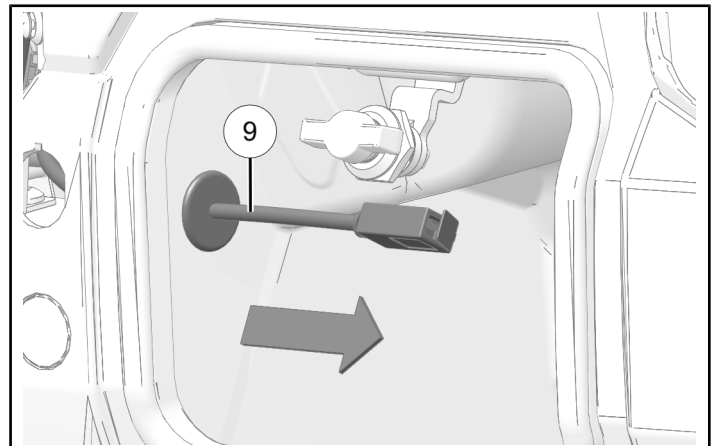
1. Open glove box and drill hole for USB cable installation.

MEASUREMENT

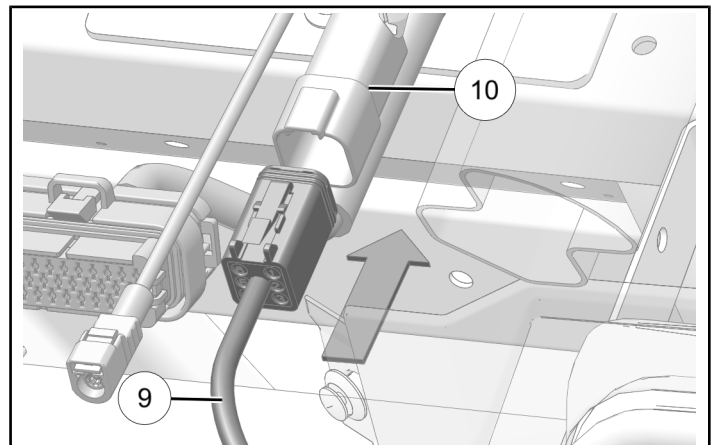
Drill Bit Size:
21/32 in (16.67 mm)



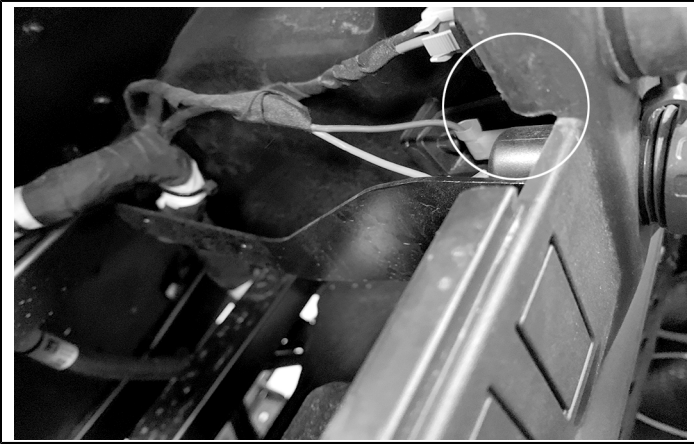
2. Route USB cable ⑨ inside. Attach with grommet.



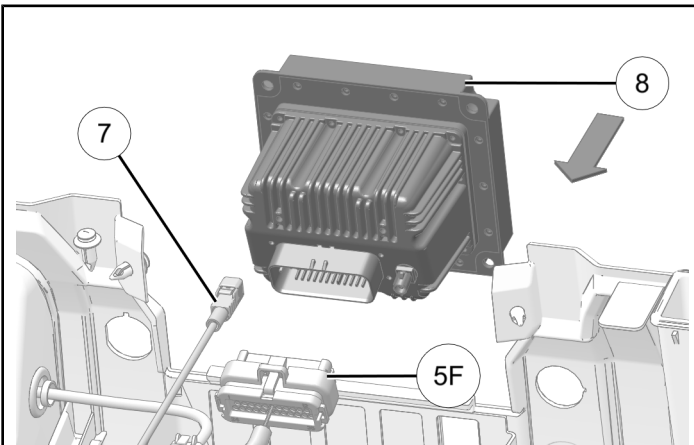
3. Connect USB cable ⑨ to audio harness ⑩.



4. Using a hand flat file, lightly remove approximately 1/16" of passenger side inside plastic on corner of plastic to aid in installation



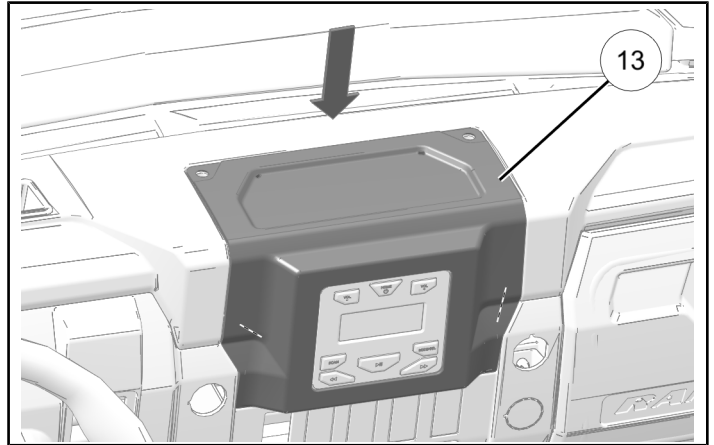
5. Install audio head unit ⑧ and attach antenna cable ⑦ and audio harness connector 5F.



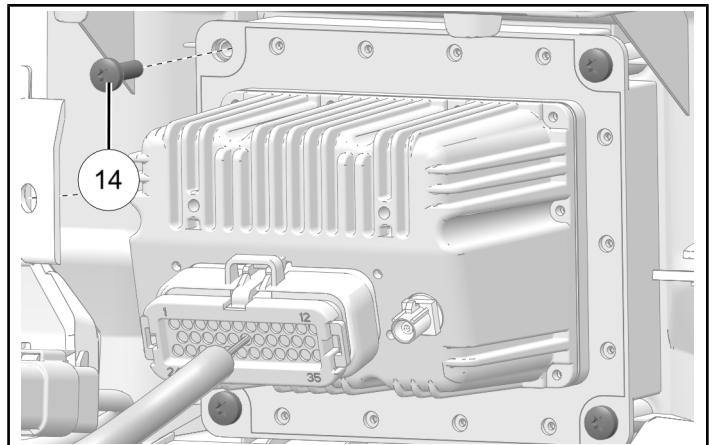
6. Attach radio bezel ⑬ to audio head unit.

IMPORTANT

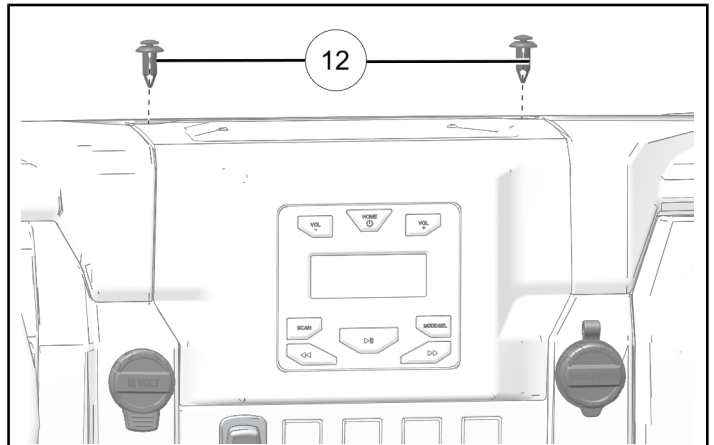
Insert tab on driver side dash first, then lightly slide down passenger side of radio/bezel assembly.



7. Attach the head unit to the bezel using four screws ⑭.



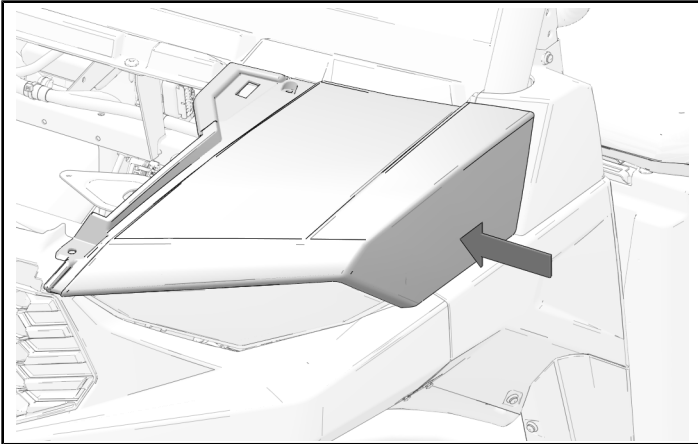
8. Attach radio bezel to audio head unit with 2 rivets ⑫.



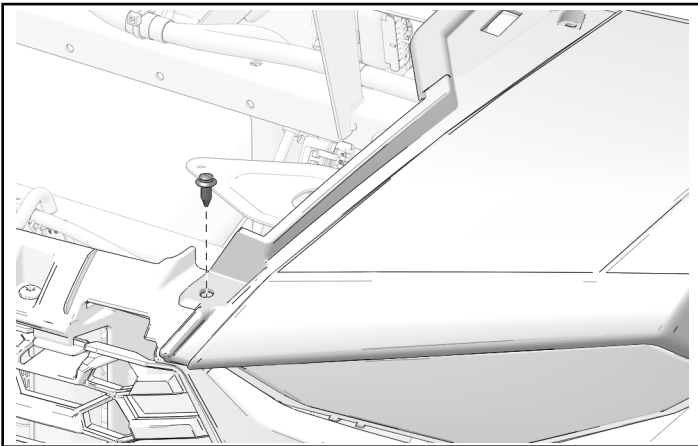
VEHICLE REASSEMBLY

LEFT-HAND HOOD INSTALLATION

1. Put outer hood in installed position



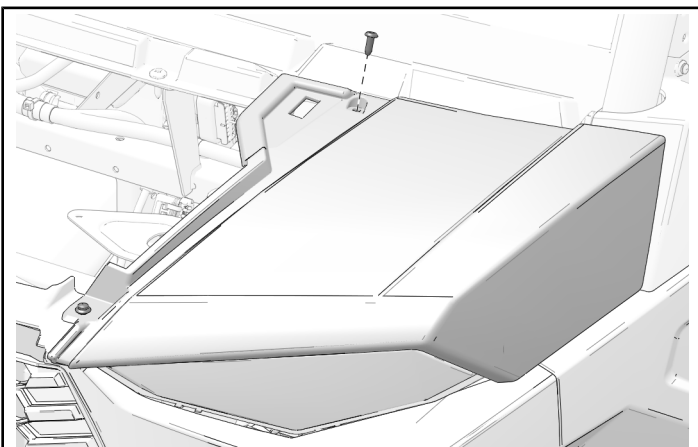
2. Attach front of outer hood with one push-pin rivet.



3. Attach rear of outer hood with one retained screw. Torque outer hood screws to specification.

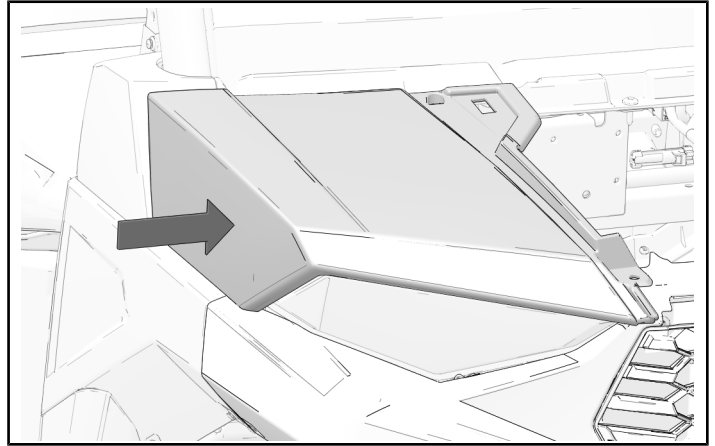
TORQUE

Outer Hood Screw:
22 in-lbs (2.5 N·m)

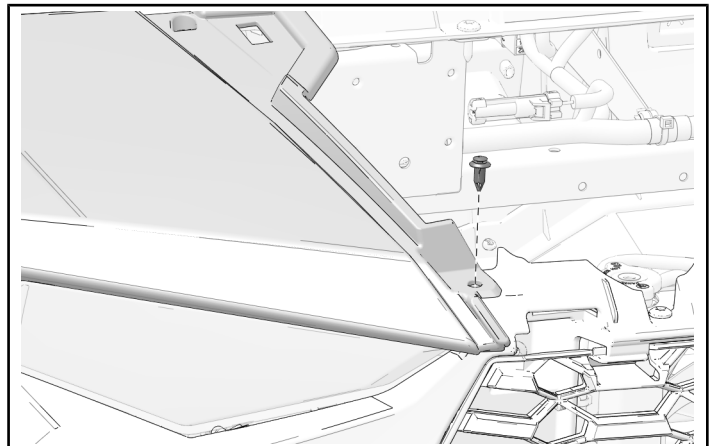


RIGHT-HAND HOOD INSTALLATION

1. Put outer hood in installed position



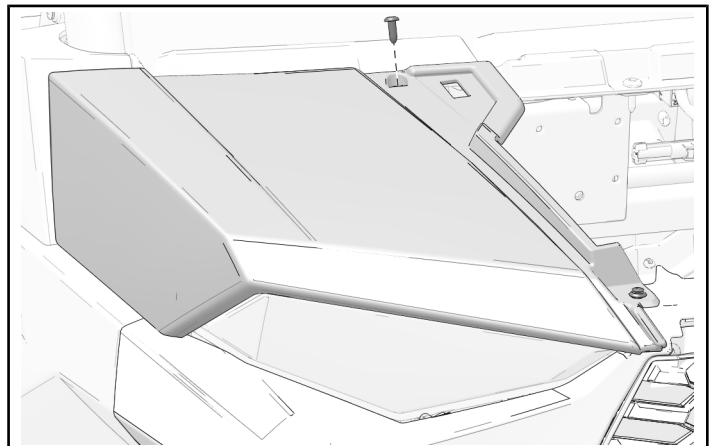
2. Attach front of outer hood with one push-pin rivet.



3. Attach rear of outer hood with one retained screw. Torque outer hood screws to specification.

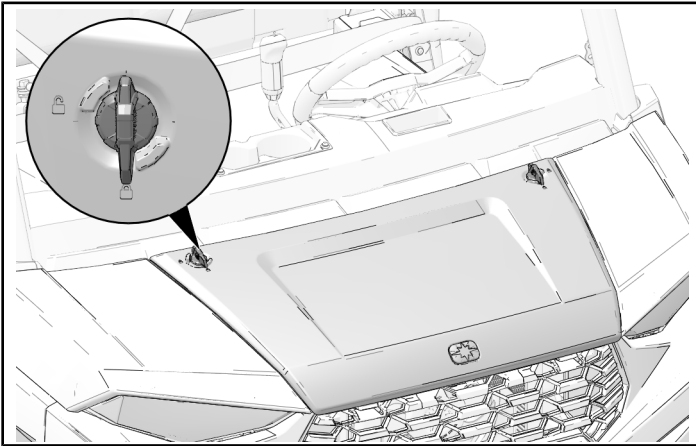
TORQUE

Outer Hood Screw:
22 in-lbs (2.5 N·m)

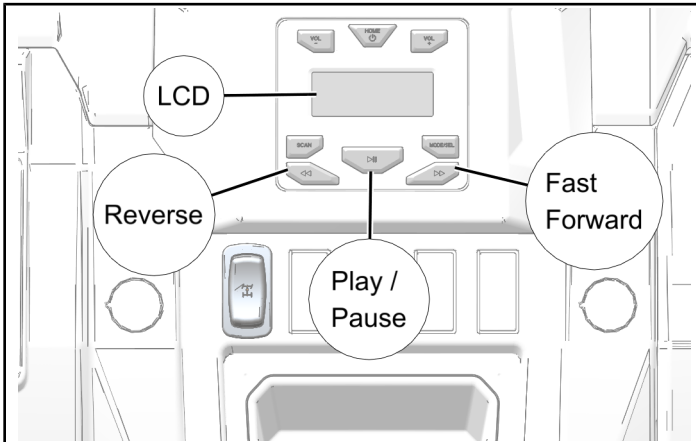


HOOD INSTALLATION

1. Align hood with vehicle and turn two quarter-turn fasteners to lock position to install hood.



OPERATION



1. **HOME**: Press to power unit on and off, and to return to “Home”screen on LCD when activated.
2. **VOL —/ VOL +**: Lower and raise audio volume
3. **SCAN**: Scan radio channels.
4. **PLAY / PAUSE**: Play or pause audio selection.
5. **REVERSE / FAST FORWARD**:Reverse or fast forward audio selection.

INSTRUCTION FEEDBACK FORM

A feedback form has been created for the installer to provide any comments, questions or concerns about the installation instructions. The form is viewable on mobile devices by scanning the QR code or by clicking [HERE](#) if viewing on a PC.

