

GLASS WINDSHIELD KIT



P/N 2885080

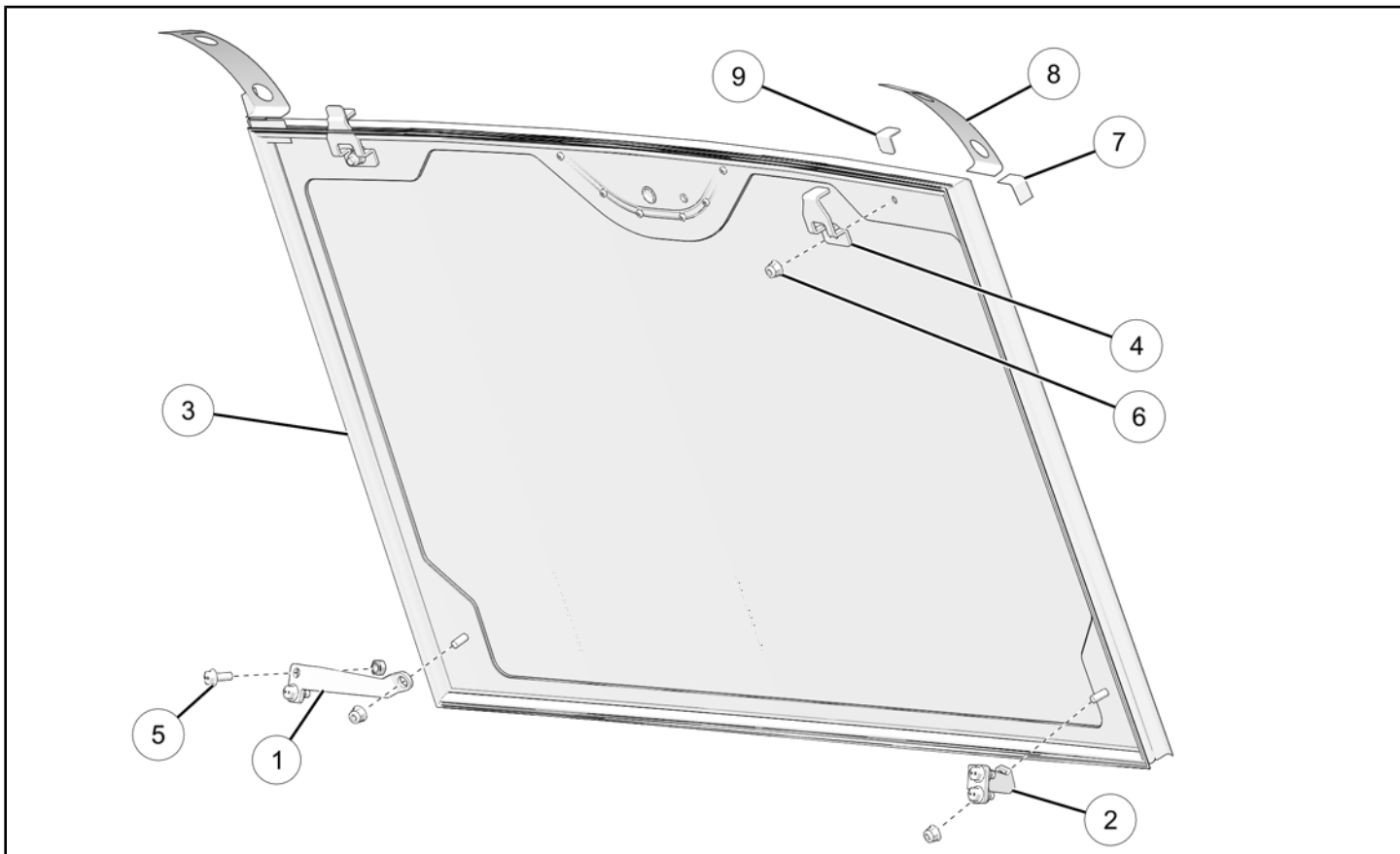
BEFORE YOU BEGIN

Read these instructions and check to be sure all parts and tools are accounted for. Please retain these installation instructions for future reference and parts ordering information.

APPLICATION

Verify accessory fitment at www.polaris.com.

KIT CONTENTS



REF	QTY	PART DESCRIPTION	P/N AVAILABLE SEPARATELY
1	1	Weld, Lower Bracket, Left-Hand	n/a
2	1	Weld, Lower Bracket, Right-Hand	n/a
3	1	Assembly – Fixed Windshield	2638389
4	2	Bracket, Upper, Fixed	n/a
5	4	Screw, Hex, Flanged M8 x 1.25 x 20 mm	7521332-20
6	4	Nut, Hex, Flanged, Locking M8 x 1.25 mm	7548028
7	2	Tape, Windshield Plate, Corner	8360204

REF	QTY	PART DESCRIPTION	P/N AVAILABLE SEPARATELY
8	2	Tape, Windshield Plate	8360217
9	2	Pad – Rubber	8360227

TOOLS REQUIRED

- Safety Glasses
- Socket Set, Metric
- Torque Wrench
- Wrench Set, Metric

IMPORTANT

Your Glass Windshield Kit is exclusively designed for your vehicle. Please read the installation instructions thoroughly before beginning. Installation is easier if the vehicle is clean and free of debris. For your safety, and to ensure a satisfactory installation, perform all installation steps correctly in the sequence shown.

INSTALLATION INSTRUCTIONS

VEHICLE PREPARATION

GENERAL

1. Park vehicle on a flat surface.
2. Shift vehicle into PARK.
3. Turn key to OFF position and remove key.

NOTICE

If the vehicle is equipped with doors, the doors will need to be removed before performing windshield installation.

ACCESSORY INSTALLATION

NOTICE

If the vehicle is equipped with doors, the doors will need to be removed before performing windshield installation.

IMPORTANT

Enlist a helper to install windshield.

1. Loosely install right-hand lower bracket ② using screws ⑤.

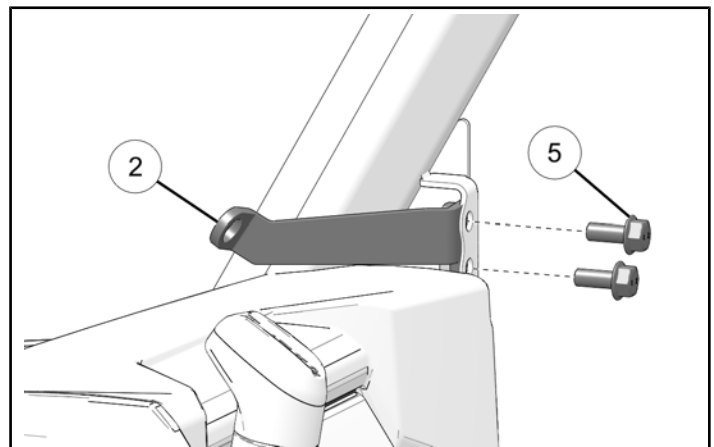
Do not torque at this time.

NOTICE

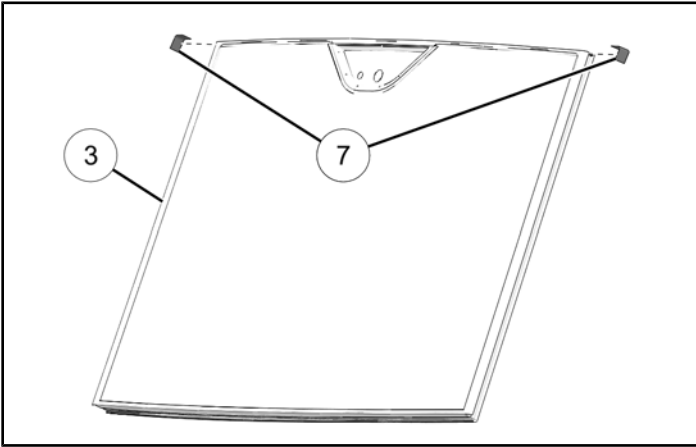
Right-hand shown, left side bracket ① similar.

IMPORTANT

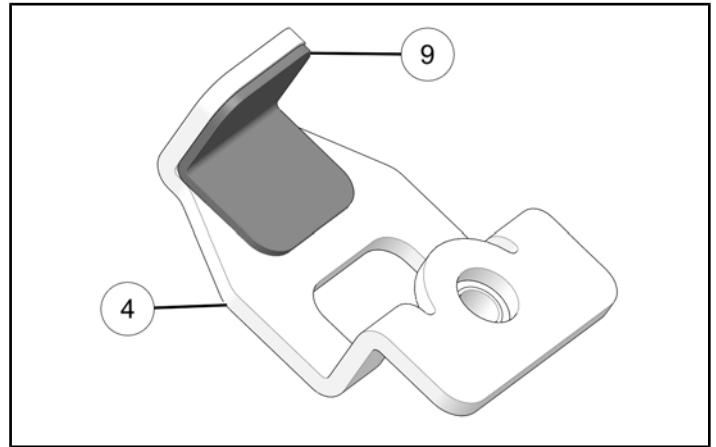
If the vehicle is equipped with doors, install the door at this time. Make sure door hinge is placed on top of the windshield bracket.



2. Put tape strips ⑦ on upper corners of windshield assembly ③.



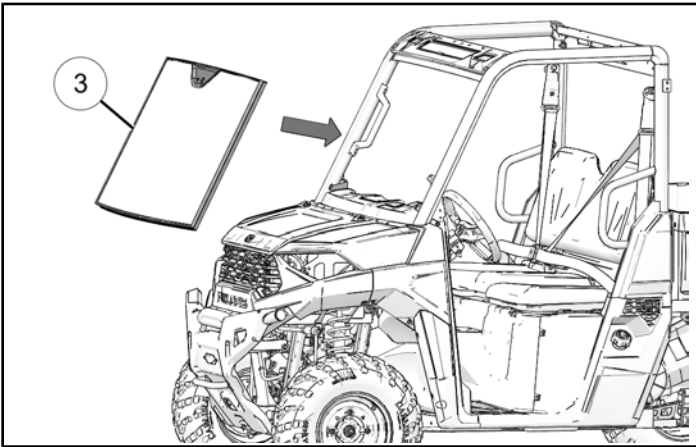
5. Put rubber tape strips ⑨ on upper windshield brackets ④.



3. Put windshield assembly ③ in place on vehicle.

TIP

Enlist a helper when placing windshield on vehicle.

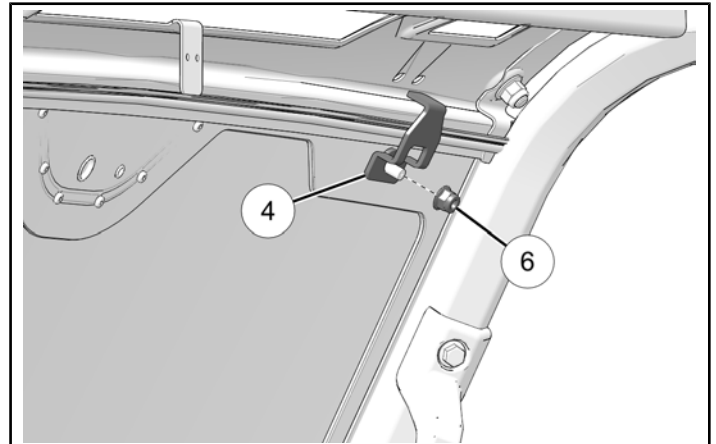


6. Loosely install upper windshield brackets ④ using nuts ⑥.

Do not torque at this time.

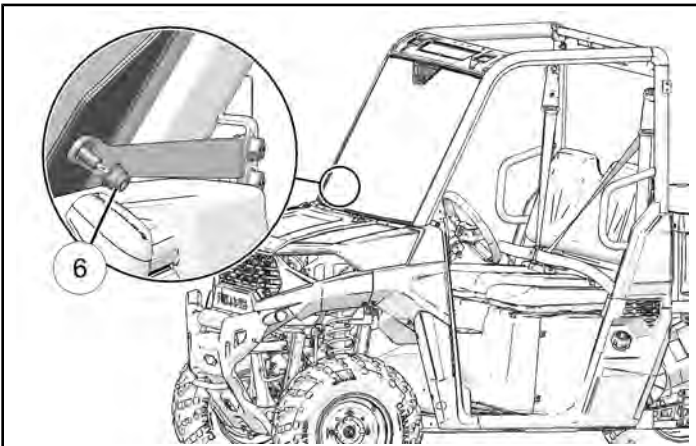
NOTICE

Right side shown, left side similar.



4. Loosely install bottom mounting nuts ⑥ loosely on windshield.

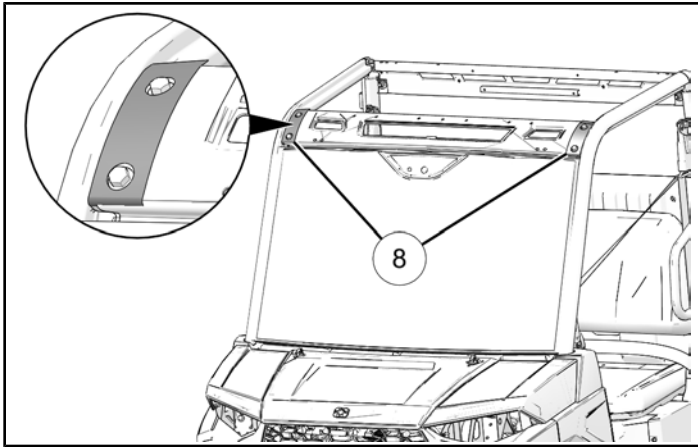
Do not torque at this time.



7. Install tape strips ⑧ on outer corners of ROPS.

NOTICE

Tape strip should cover joint between header panel and ROPS, and extend down around curve of header panel.



8. Torque lower windshield bracket mounting screws ⑤ to specification.

TORQUE

Lower Windshield Bracket Mounting Screws ⑤:
9 ft-lbs (12 N·m)

9. Torque upper and lower windshield mounting nuts ⑥ to specification.

TORQUE

Upper and Lower Windshield Mounting Nuts ⑥:
70 in-lbs (8 N·m)

INSTRUCTION FEEDBACK FORM

A feedback form has been created for the installer to provide any comments, questions or concerns about the installation instructions. The form is viewable on mobile devices by scanning the QR code or by clicking [HERE](#) if viewing on a PC.

