

# RIDE COMMAND® MOUNT KIT



P/N 2884731

## BEFORE YOU BEGIN

Read these instructions and check to be sure all parts and tools are accounted for. Please retain these installation instructions for future reference and parts ordering information.

## APPLICATION

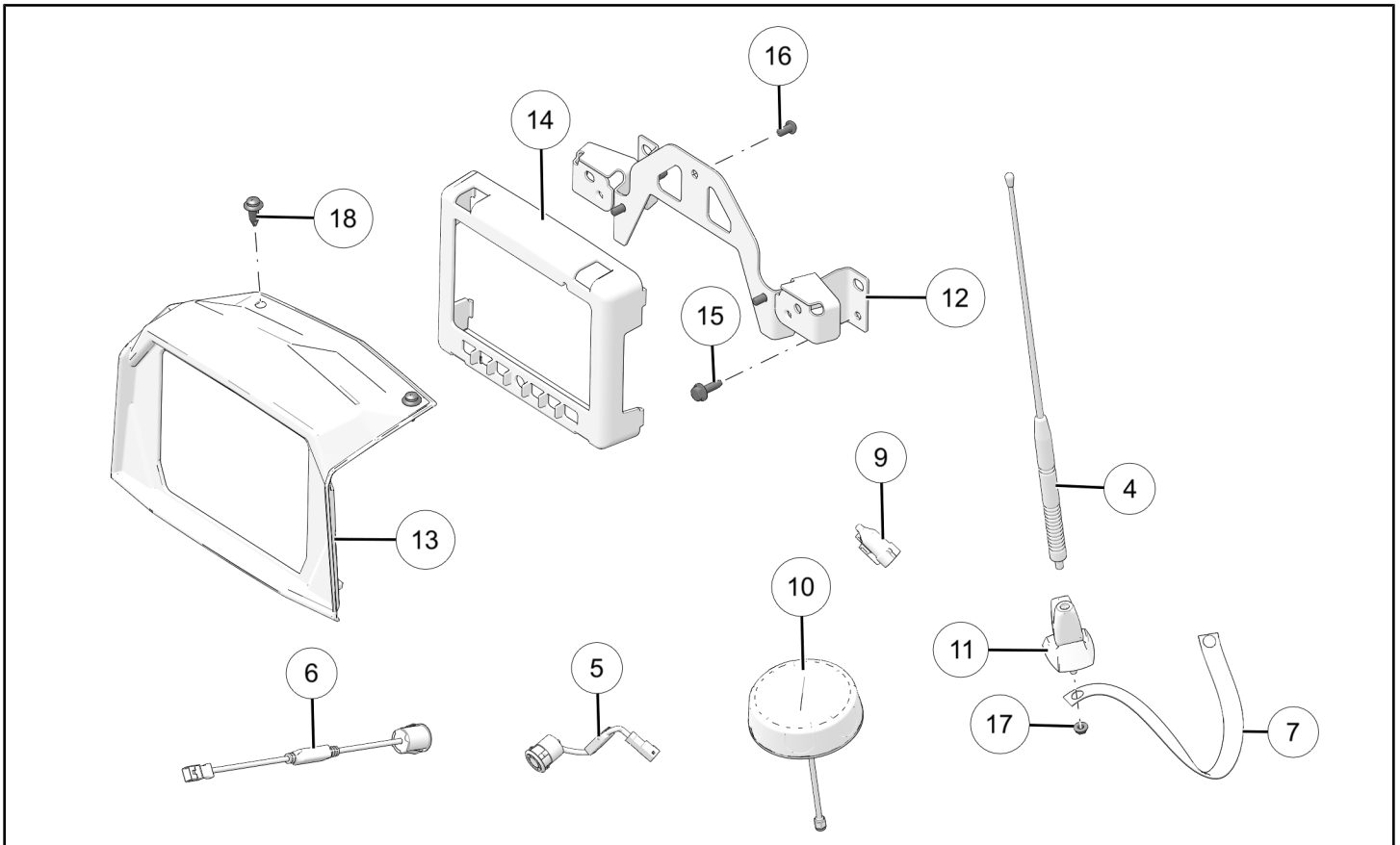
Verify accessory fitment at [www.polaris.com](http://www.polaris.com).

## REQUIRED SOLD SEPARATELY

Only parts for installation of the Ride Command® Mount Kit are included. For complete installation, the following additional kit is required (sold separately):

- Ride Command® Display, P/N 2884072

## KIT CONTENTS

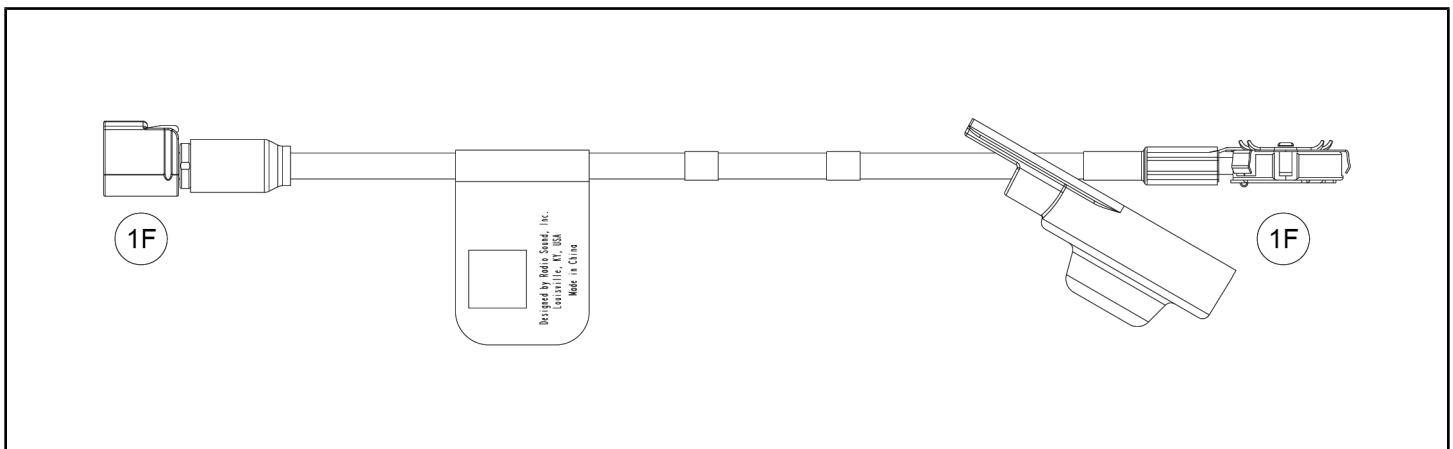


| REF | QTY | PART DESCRIPTION  | P/N AVAILABLE SEPARATELY |
|-----|-----|---|--------------------------|
| 1   | 1   | Harness–Antenna (see <i>Harness Detail</i> section)       | 2415037                  |
| 2   | 1   | Harness–USB (see <i>Harness Detail</i> section)           | 2415322                  |
| 3   | 1   | Harness–Ride Command® (see <i>Harness Detail</i> section) | 2415489                  |
| 4   | 1   | Antenna–Mast  | 4014849                  |

| REF | QTY | PART DESCRIPTION                               | P/N AVAILABLE SEPARATELY |
|-----|-----|--|--------------------------|
| 5   | 1   | Camera–Rear                                    | 4015873                  |
| 6   | 1   | Camera–Front                                   | 4016639                  |
| 7   | 1   | Strap–Ground, Antenna                          | 4017533                  |
| 8   | 1   | Antenna–GPS                                    | 4017533                  |
| 9   | 1   | Sensor–Air Temperature Gauge                   | 4018205                  |
| 10  | 1   | Antenna–Vehicle-to-Vehicle (V2V)               | 4018713                  |
| 11  | 1   | Mount–Antenna                                  | 4019254                  |
| 12  | 1   | Bracket–Ride Command® Display                  | 5266577                  |
| 13  | 1   | Bezel–Ride Command® Display                    | 5455347                  |
| 14  | 1   | Bezel–Button, Ride Command® Display            | 5455574                  |
| 15  | 2   | Screw–Hex Flange Thread Form, M6 x 1.0 x 20 mm | 7518529                  |
| 16  | 3   | Screw–Torx® Button Head, M6 x 1.0 x 12 mm      | 7519063                  |
| 17  | 1   | Nut–Hex Flange, M5 x 0.8 mm                    | 7547437                  |
| 18  | 2   | Rivet–Push-Pin                                 | 7661855                  |

## HARNES DETAIL

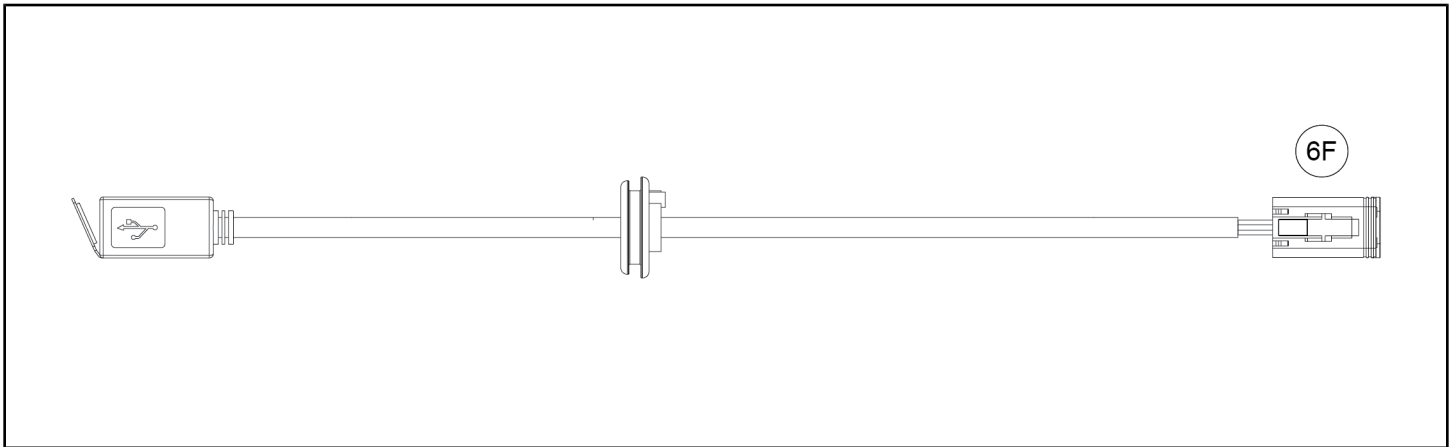
### ANTENNA HARNESS ①



| REF | PART DESCRIPTION             | CONNECTS TO                             |
|-----|------------------------------|---|
| 1F  | Antenna Connector            | Ride Command® Display (sold separately) |
| 1F  | Antenna Mount Ring Connector | Antenna Mount ⑪                         |

Example: 16F = 16 pin, Female / 16M = 16 pin, Male (Male terminal fits inside female terminal)

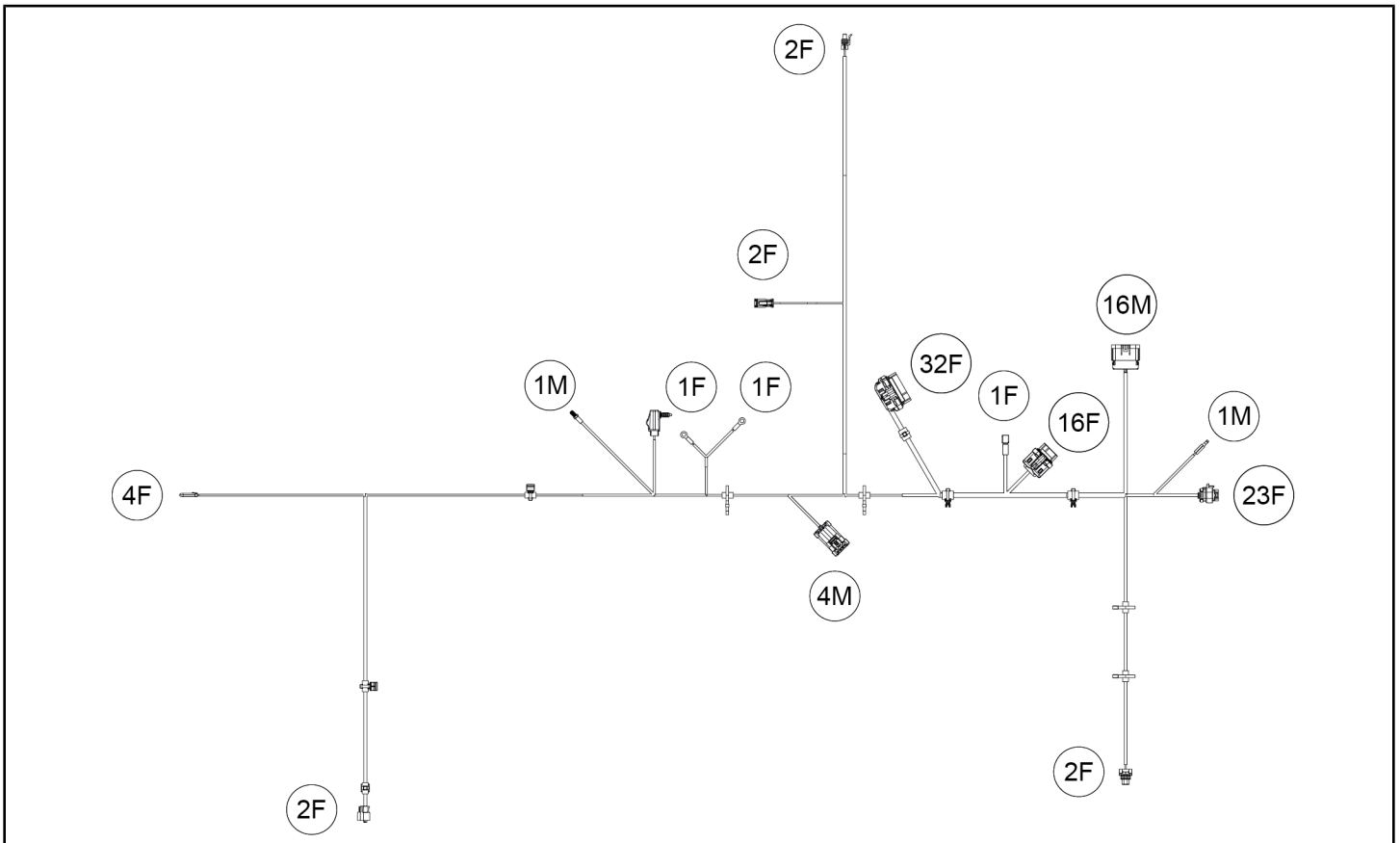
## USB HARNESS ②



| REF | PART DESCRIPTION | CONNECTS TO                             |
|-----|------------------|---|
| 6F  | USB Connector    | Ride Command® Display (sold separately) |

Example: 16F = 16 pin, Female / 16M = 16 pin, Male (Male terminal fits inside female terminal)

## RIDE COMMAND® HARNESS ③



| REF | PART DESCRIPTION                 | CONNECTS TO                    |
|-----|----------------------------------|--------------------------------|
| 4F  | Camera Connector, Front          | Front Camera ⑥                 |
| 2F  | Air Temperature Sensor Connector | Air Temperature Gauge Sensor ⑨ |
| 1M  | Coaxial Connector                | V2V Antenna ⑩                  |

| REF  | PART DESCRIPTION                 | CONNECTS TO                             |
|--|----------------------------------|---|
| 1F   | Positive (+) Ring Terminal       | Accessory Terminal Bar                  |
| 1F   | Ground (-) Ring Terminal         | Accessory Terminal Bar                  |
| 2F   | Subwoofer Connector              | Subwoofer (sold separately)             |
| 2F   | Speaker Connector, Left          | Speaker (sold separately)               |
| 4M   | Rear Audio Connector             | Rear Speaker Harness (sold separately)  |
| 32F  | Power Connector, Ride Command®   | Ride Command® Display (sold separately) |
| 1F   | V2V Connector                    | Ride Command® Display (sold separately) |
| 16F  | Display Connector, Ride Command® | Ride Command® Display (sold separately) |
| 2F   | Speaker Connector, Left          | Speaker (sold separately)               |
| 16M  | Infotainment Connector           | Chassis Electrical Harness              |
| 1M   | Amplifier Ground Connector       | Amplifier (sold separately)             |
| 23F  | Amplifier Connector              | Amplifier (sold separately)             |
| Example: 16F = 16 pin, Female / 16M = 16 pin, Male (Male terminal fits inside female terminal) |                                  |   |

## TOOLS REQUIRED

- Safety Glasses
- Center Punch
- Deburring Tool
- Drill
- Drill Bit:
  - 6 mm
  - 10.5 mm
  - 17 mm
  - 19 mm
  - Step Drill Bit
- Pick and Hook Set
- Pliers, Push Pin Rivet
- Push Dart (Panel Clip) Tool
- Ruler
- Screwdriver Set, Torx®
- Socket Set, Metric
- Socket Set, Torx® Bit
- Tape Measure
- Torque Wrench
- Wrench Set, Metric

## CONSUMABLES REQUIRED

- Tape, Electrical

## IMPORTANT

Your Ride Command® Mount Kit is exclusively designed for your vehicle. Please read the installation instructions thoroughly before beginning. Installation is easier if the vehicle is clean and free of debris. For your safety, and to ensure a satisfactory installation, perform all installation steps correctly in the sequence shown.



# INSTALLATION INSTRUCTIONS

## VEHICLE PREPARATION

### GENERAL

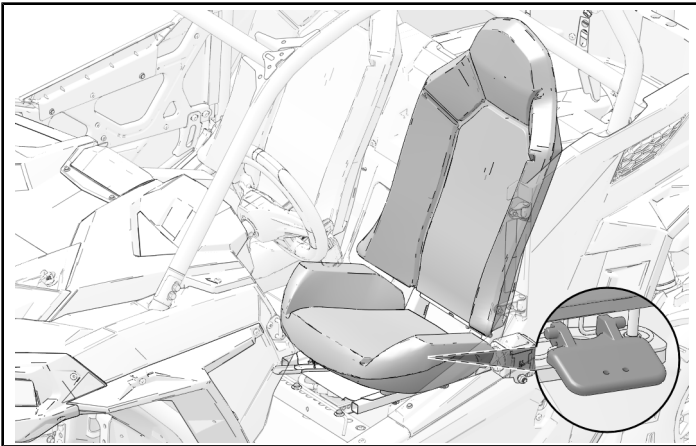
1. Shift vehicle transmission into PARK.
2. Turn key to OFF position and remove from vehicle.

### SEAT REMOVAL

#### NOTICE

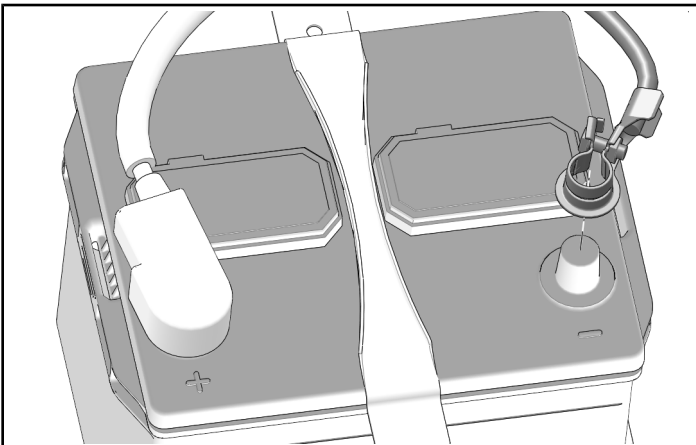
Driver seat shown; passenger seat similar.

1. Reach between seat and backrest. Pull up on lever, located behind seat to disengage seat latch.



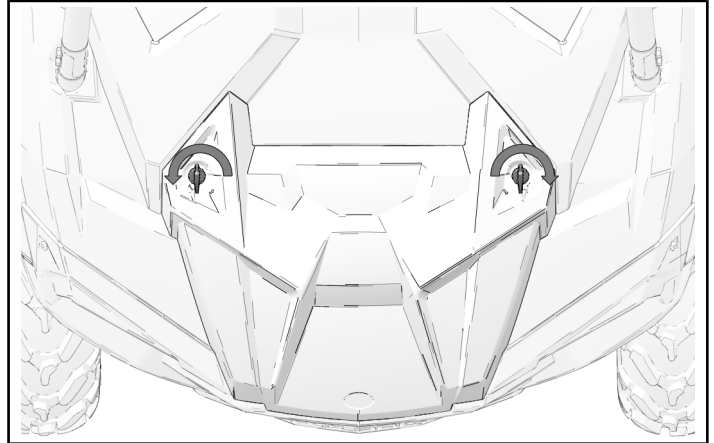
### BATTERY DISCONNECT

1. Loosen fastener on negative (-) terminal clamp and move away from battery.

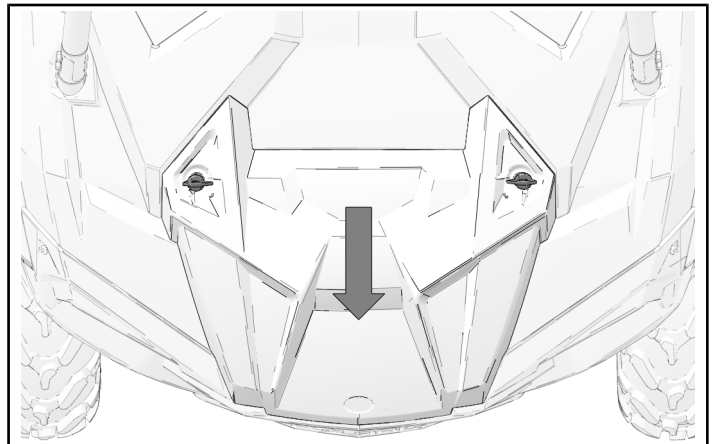


### CENTER HOOD PANEL REMOVAL

1. Turn quarter-turn fasteners to unlock hood from vehicle.



2. Move hood forward to remove from vehicle.

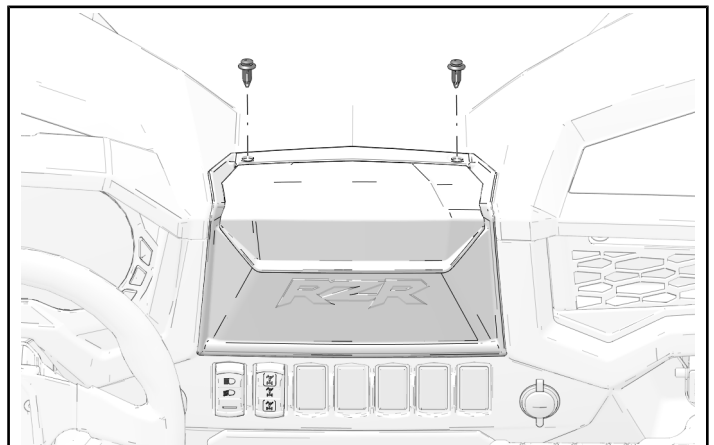


### DASHBOARD STORAGE REMOVAL

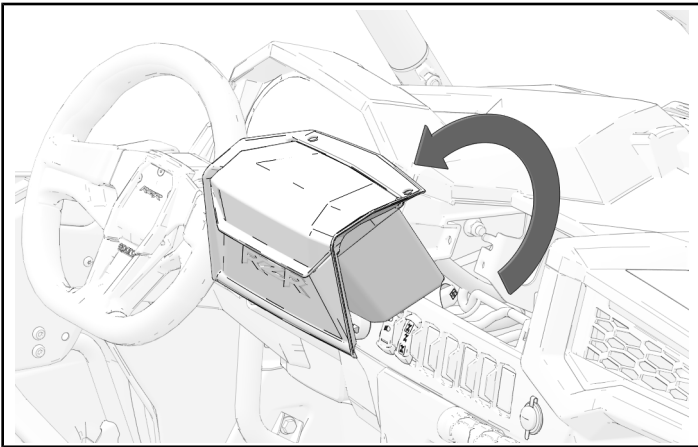
#### NOTICE

Storage bin shown; audio head unit bezel similar.

1. Remove two push-pin rivets from top of storage compartment.

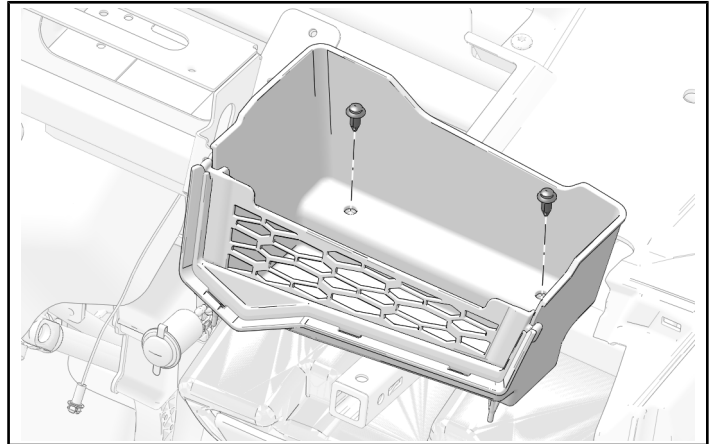


2. Tilt storage compartment rearward to remove from dashboard.



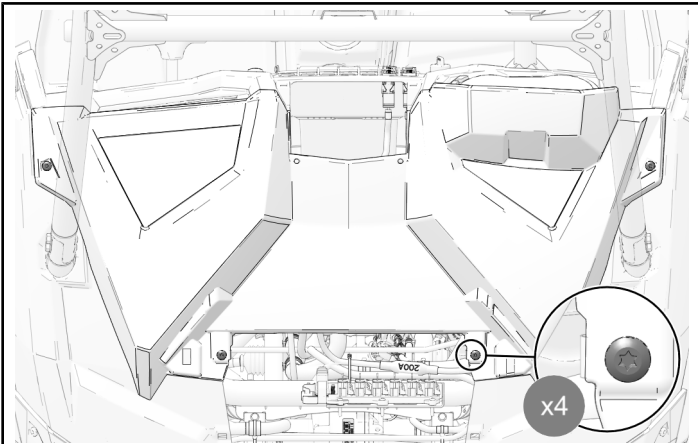
## **PASSENGER DASHBOARD STORAGE REMOVAL**

1. Remove two push-pin rivets and remove passenger-side dashboard storage bin.

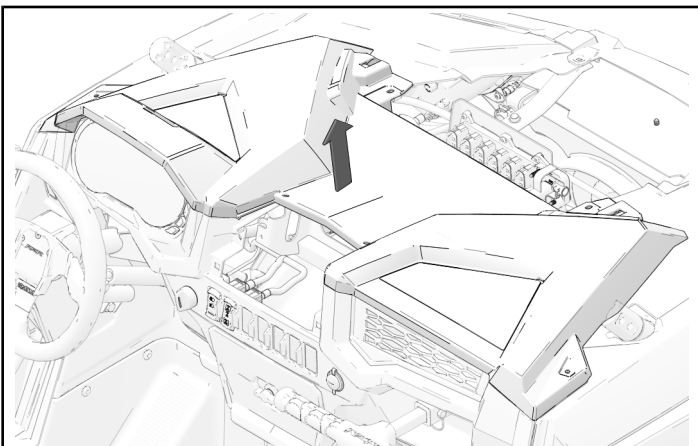


## **DASHBOARD TOP REMOVAL**

1. Remove four dashboard fasteners.

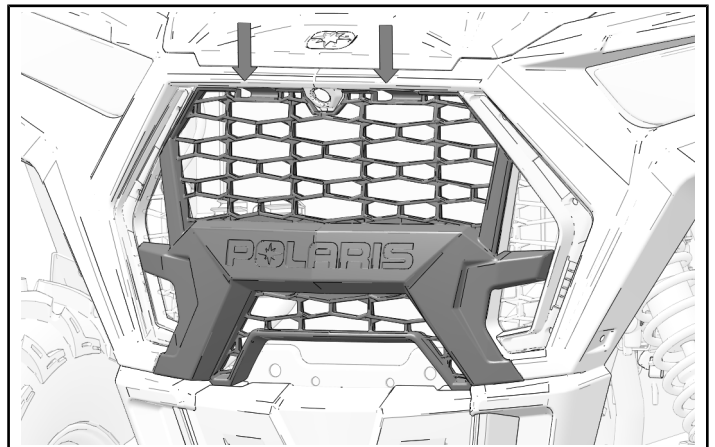


2. Lift dashboard upwards to remove from vehicle.



## **GRILLE REMOVAL**

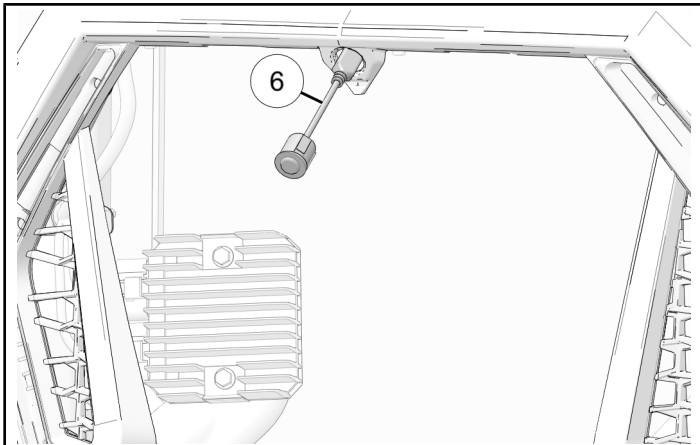
1. Push two tabs down to remove grille from front fascia.



## ACCESSORY INSTALLATION

### FRONT CAMERA INSTALLATION

1. Put front camera ⑥ into mounting hole, located in grille trim. Clips on camera sides will snap into place when fully seated.

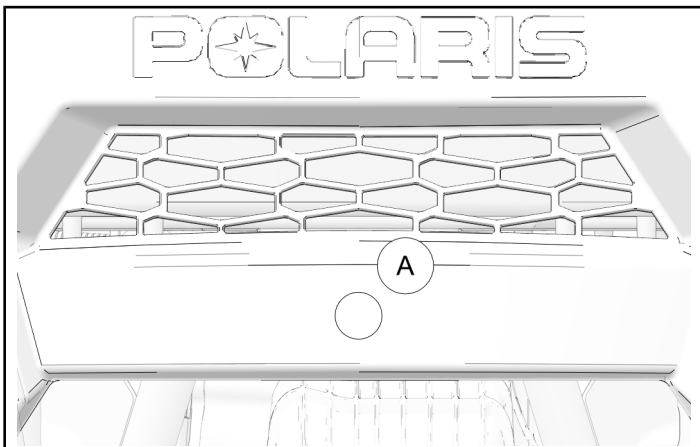


### REAR CAMERA INSTALLATION

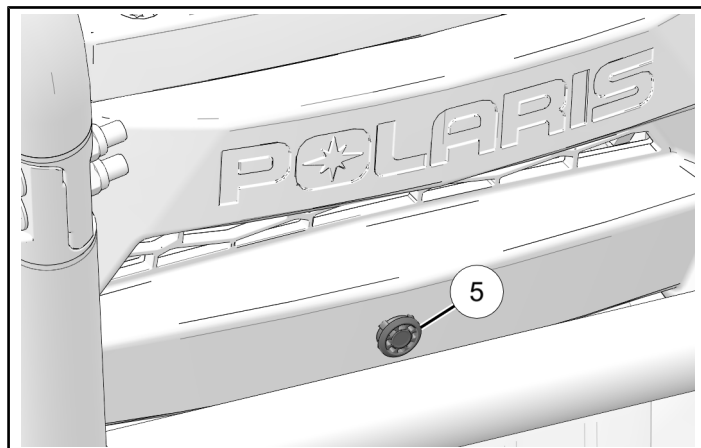
1. Drill one **19 mm** hole in rear fascia.

#### MEASUREMENT

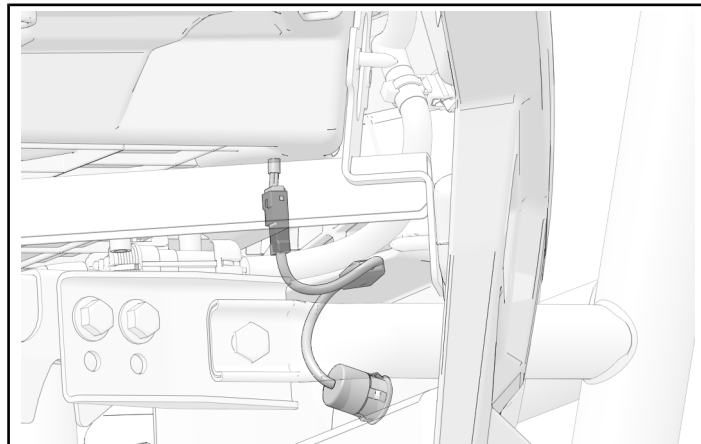
Measurement (A):  
**19 mm**



2. Put rear camera harness through hole and push rear camera ⑤ until it snaps into place.



3. Reach behind fascia from either side to located chassis electrical harness. Install rear camera to chassis electrical harness.



### TEMPLATE PLACEMENT

1. Detach template page located at the end of this instruction.
2. Locate REFERENCE DIMENSION on each template page.

Verify REFERENCE DIMENSION is exact and template(s) were printed to proper scale.

#### NOTICE

If REFERENCE DIMENSION is not exact, reprint template page from electronic file. Adjust print setting to "**Actual Size**" to obtain 1:1 scale. Electronic file available from your **Authorized Dealer**.

3. Mark three locations on top of hood for alignment pin and antenna mounting post.

4. Drill at each marked location.

**IMPORTANT**

Control tool depth. Ensure tool is clear of all other parts and components to prevent damage to vehicle.

**MEASUREMENT**

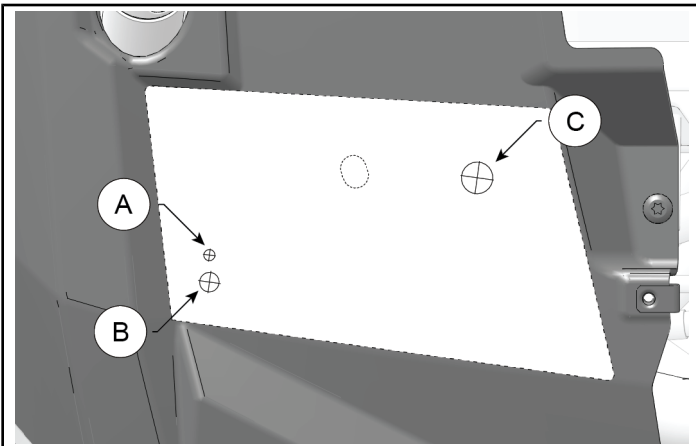
Alignment Pin Hole (A):  
**6 mm**

**MEASUREMENT**

Antenna Mounting Post Hole (B):  
**10.5 mm**

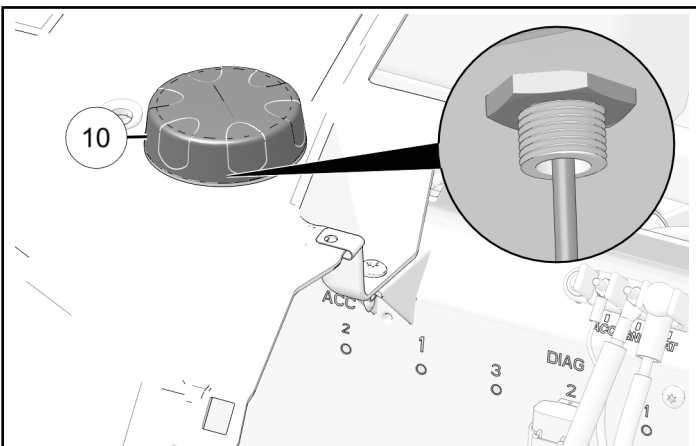
**MEASUREMENT**

V2V Mounting Post Hole (C):  
**17 mm**



**V2V ANTENNA INSTALLATION**

1. Remove nut from V2V antenna assembly.
2. Put V2V antenna (10) harness through hole in upper fender panel. Install antenna to upper fender with nut, removed in previous step. Tighten nut until it is fully seated against fender panel.

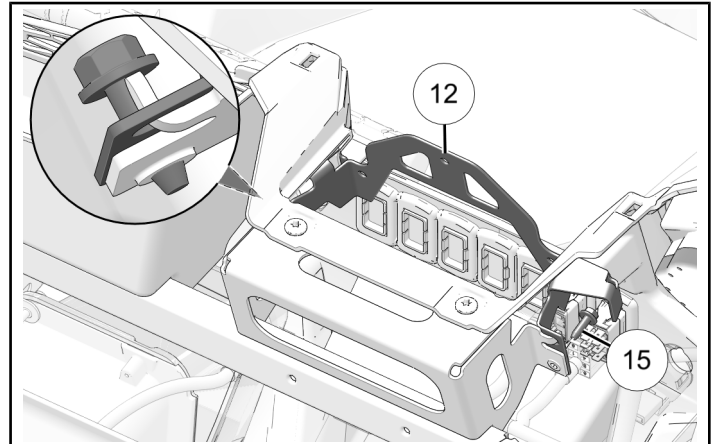


**RIDE COMMAND® DISPLAY INSTALLATION (SOLD SEPARATELY)**

1. Align display mount (12) with vehicle frame and install with two fasteners (15).

**TORQUE**

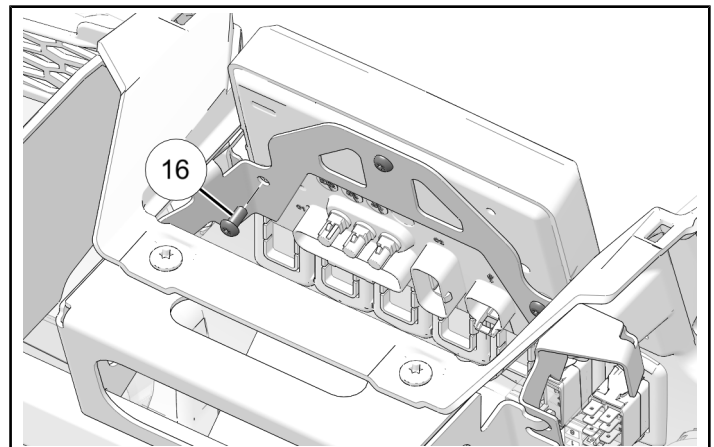
Display Mount Fasteners (15):  
**8 ft-lbs (10 N·m)**



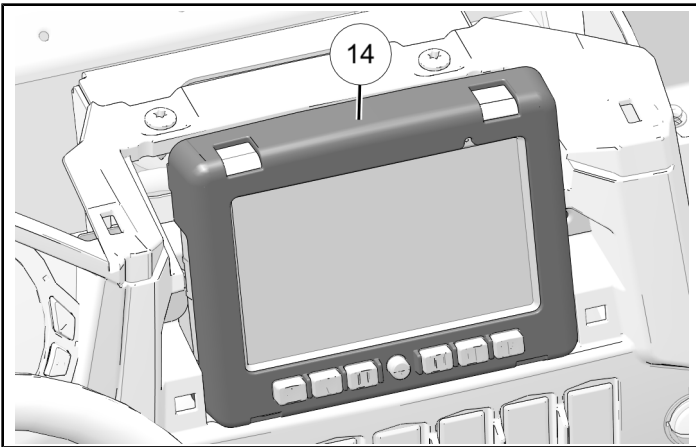
2. Install Ride Command® to display mount with three fasteners (16). Torque three fasteners to specification.

**TORQUE**

Display Fasteners (16):  
**40 in-lbs (4 N·m)**



3. Install bezel 14 onto Ride Command® display.

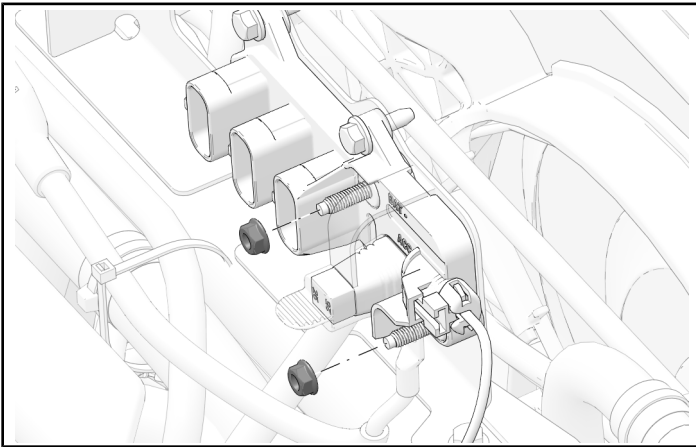


### RIDE COMMAND® HARNESS ③ ROUTING

#### NOTICE

Audio accessories referenced in this section are sold separately.

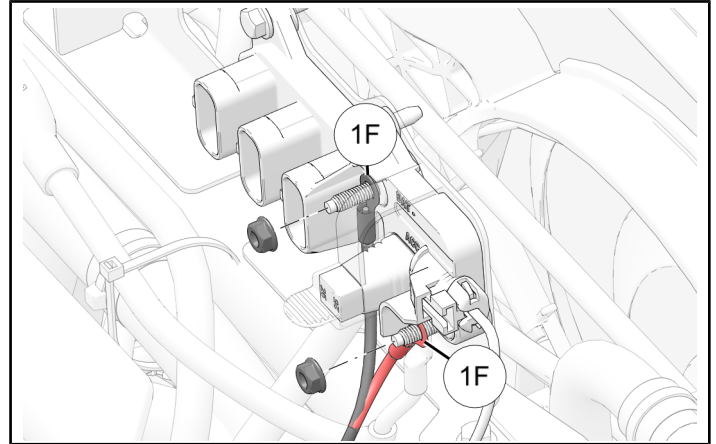
1. Remove two nuts from Polaris Pulse® bar.



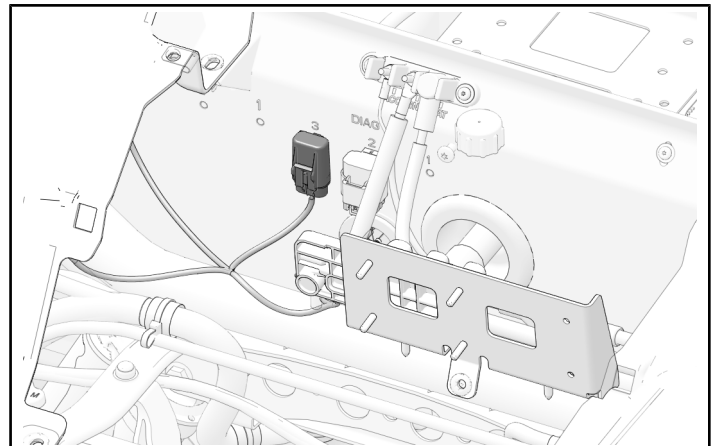
2. Install negative 1F (black) and positive 1F (red) ring terminals with two retained nuts. Torque nuts to specification.

#### TORQUE

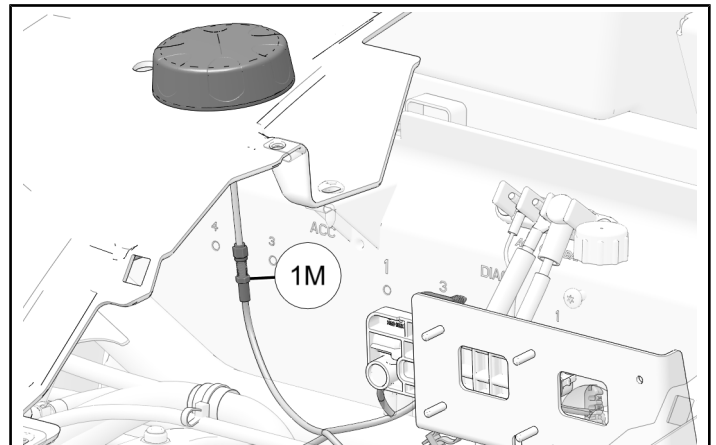
Polaris Pulse® Nuts:  
35 in-lbs (4 N·m)



3. Install fuse relay onto firewall.

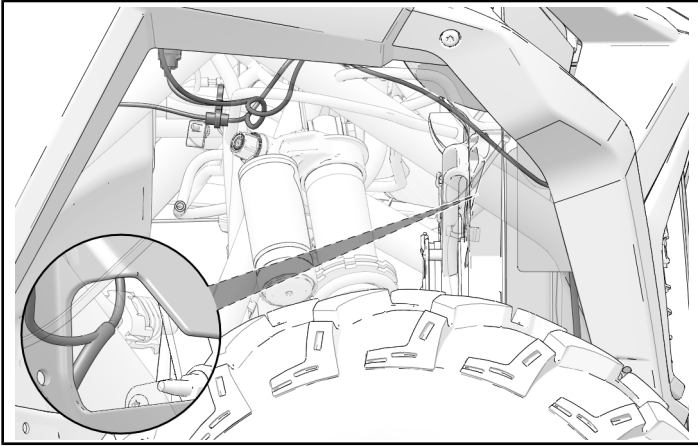


4. Install coaxial connector 1M to V2V antenna.

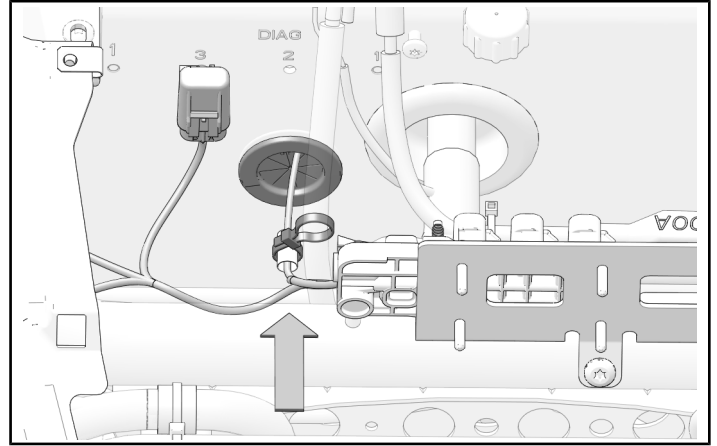




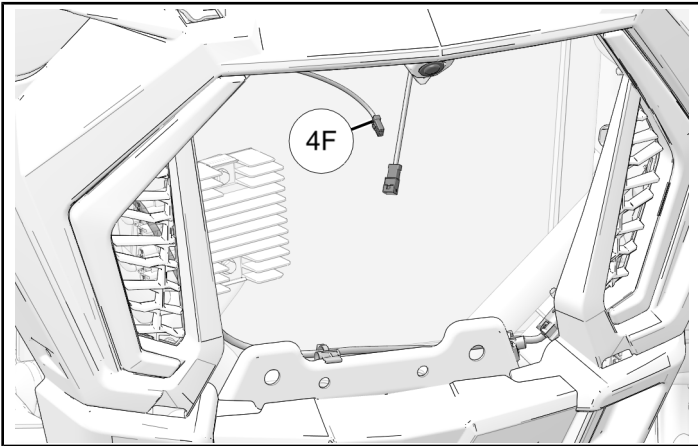
5. Put two connectors (front camera and temperature sensor) through opening in radiator shroud, located below right-hand headlight.



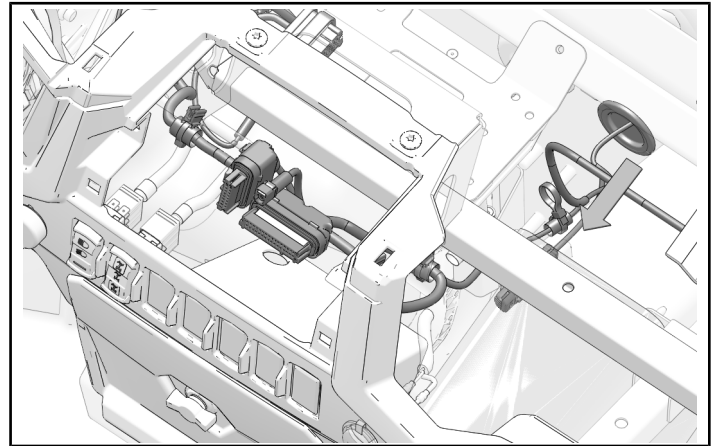
8. Put Ride Command® display and audio connectors through firewall grommet. Attach harness to chassis harness with attached cable tie.



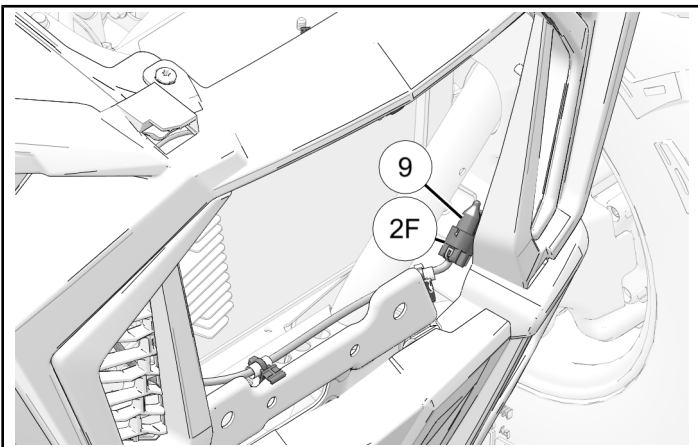
6. Remove cap from front camera connector 4F and install to front camera.



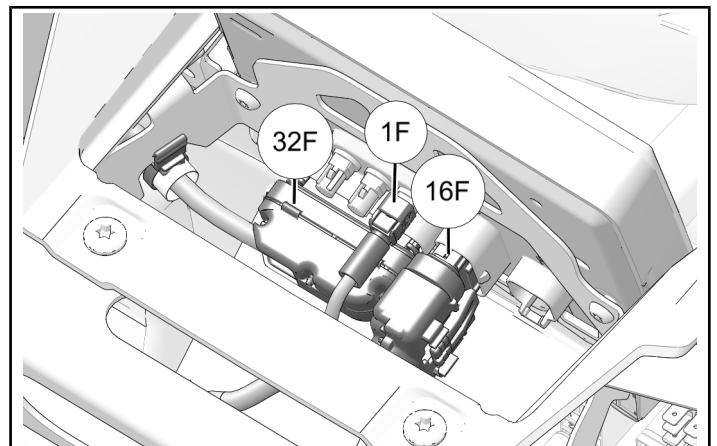
9. Carefully pull connectors through firewall grommet.



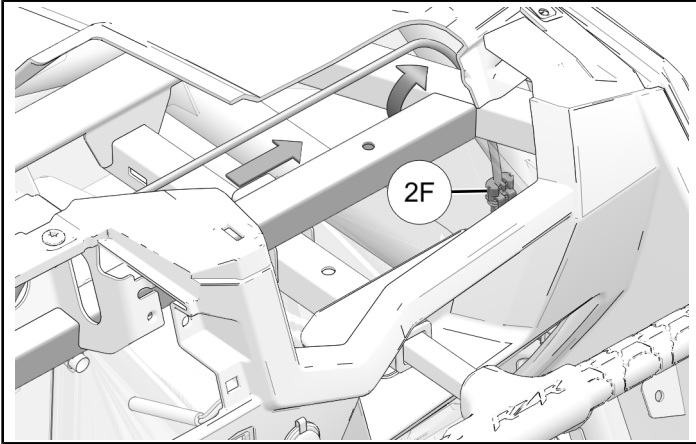
7. Install temperature sensor connector 2F to air temperature sensor 9. Install harness along winch mount with attached edge clips. Install sensor 9 with attached push-pin.



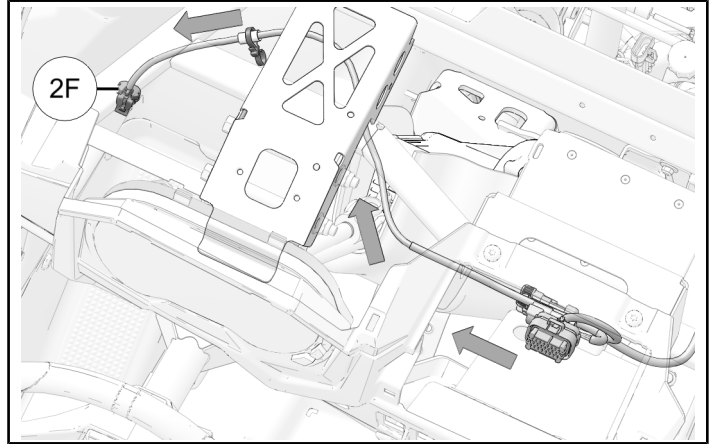
10. Install the following connectors to the back of the Ride Command® display.



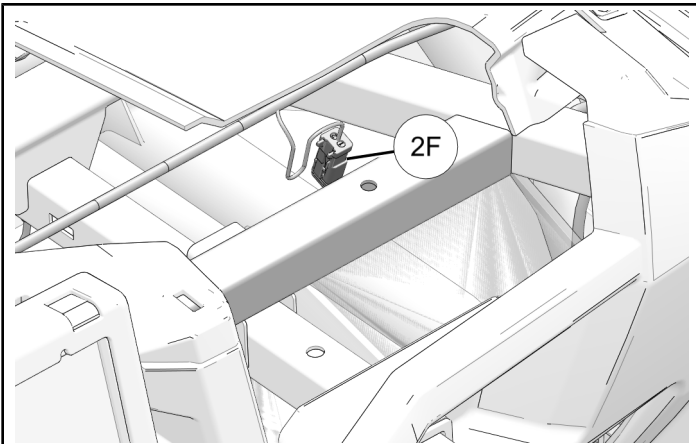
11. Put right-hand speaker connector **2F** over vehicle frame, between outer fender panel. Connect to speaker, if equipped.



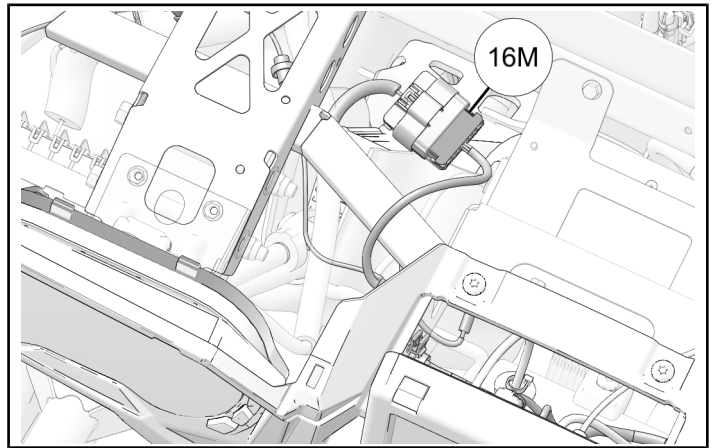
14. Put left-hand speaker connector **2F** over vehicle frame, between outer fender panel. Connect to speaker, if equipped.



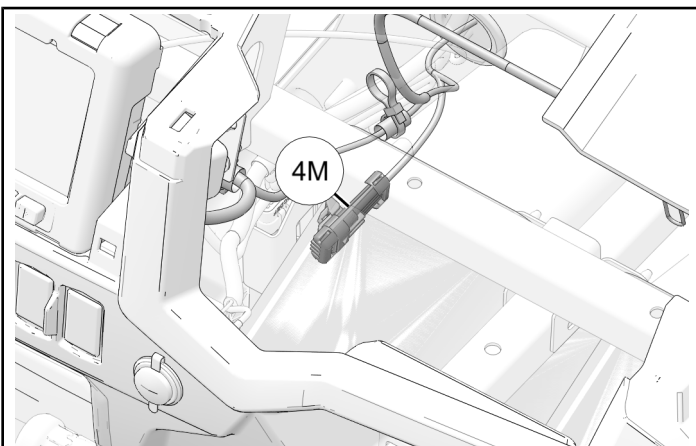
12. Install subwoofer connector **2F** to subwoofer, if equipped.



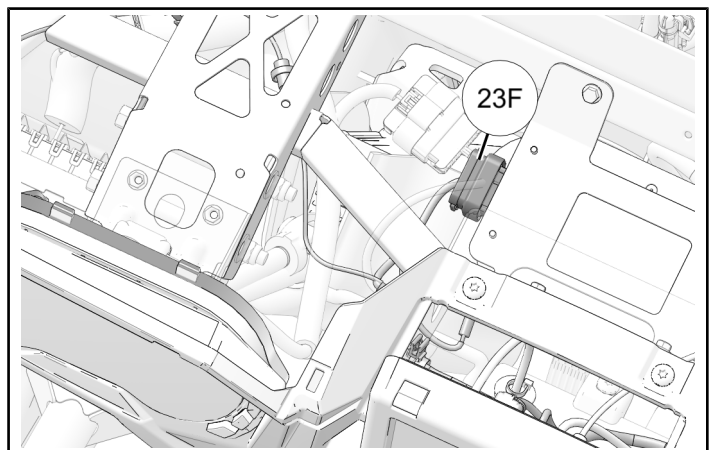
15. Install connector **16M** to chassis electrical harness.



13. Install rear audio connector **4M** to rear audio harness, if equipped.

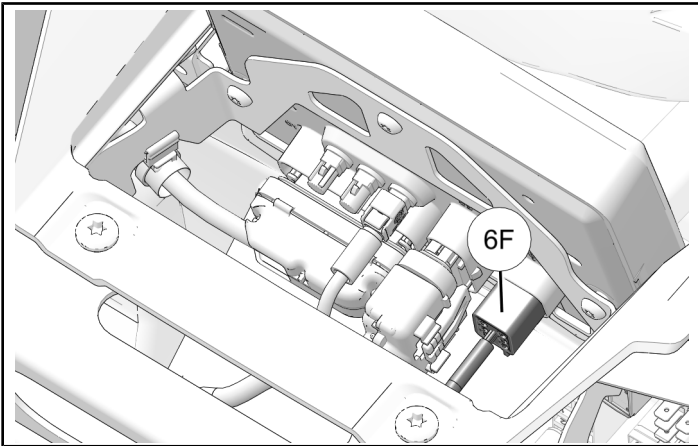


16. Install amplifier connector **23F** to amplifier, if equipped.

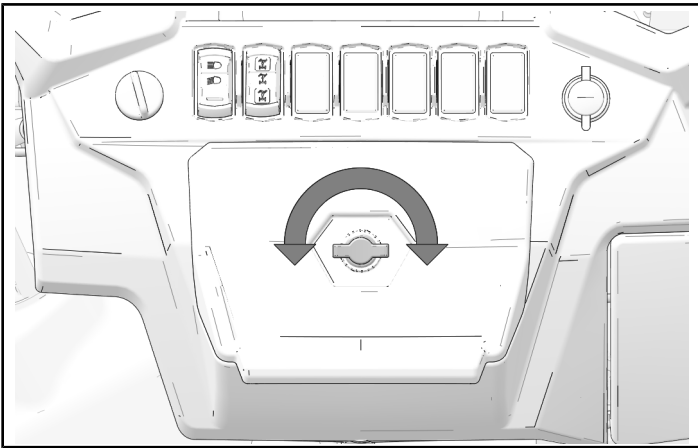


## USB HARNESS ② ROUTING

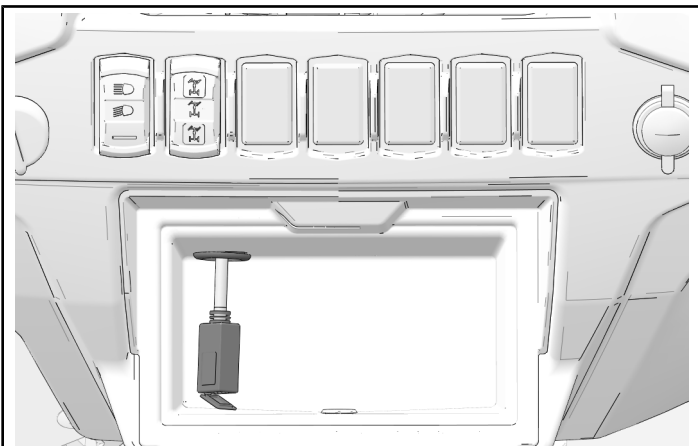
1. Install USB connector **6F** to back of Ride Command® display.



2. Open storage bin.

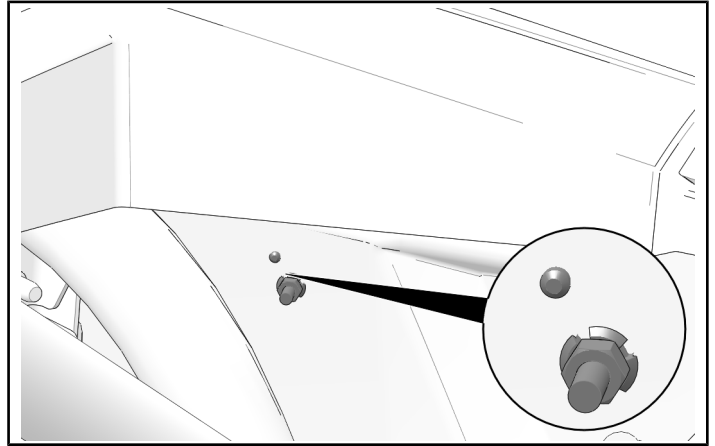


3. Put USB harness through hole in storage bin and install grommet within hole.

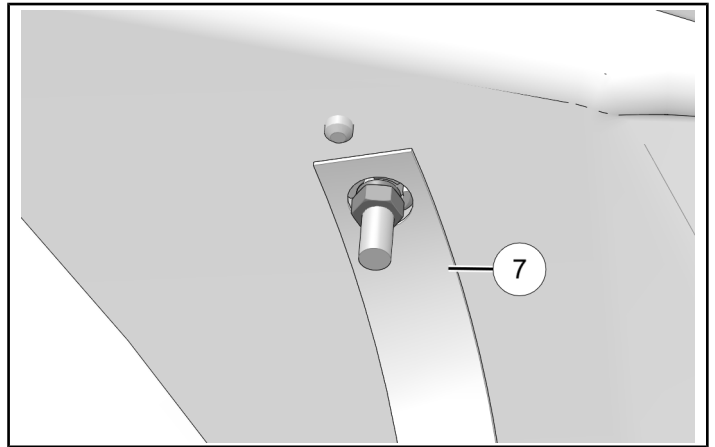


## AM/FM ANTENNA INSTALLATION

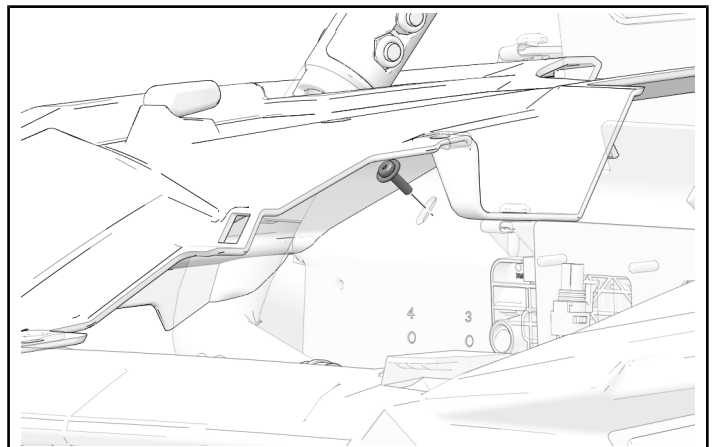
1. Put antenna mount in upper fender. Antenna mount will snap into place when fully seated.



2. Remove plastic nut from mounting post.
3. Put ground strap ⑦ over mounting post and install with plastic nut removed from mounting post.

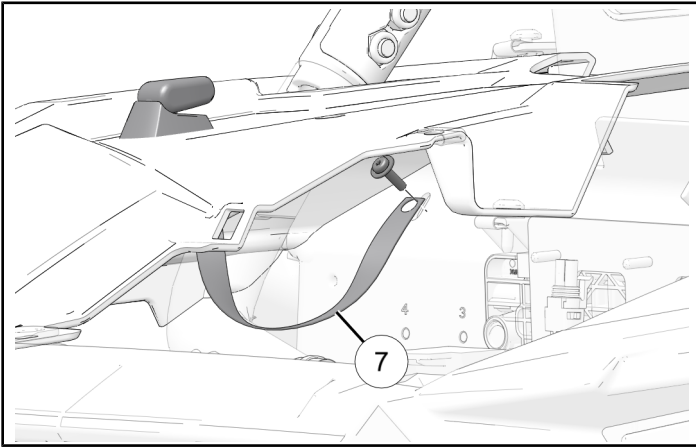


4. Remove and keep one fastener from the firewall.

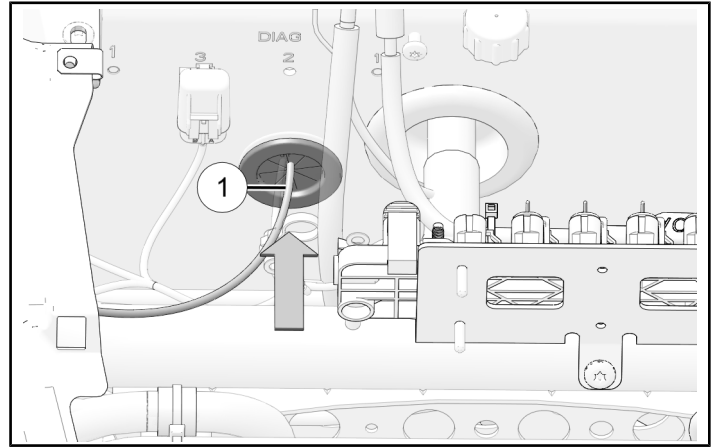




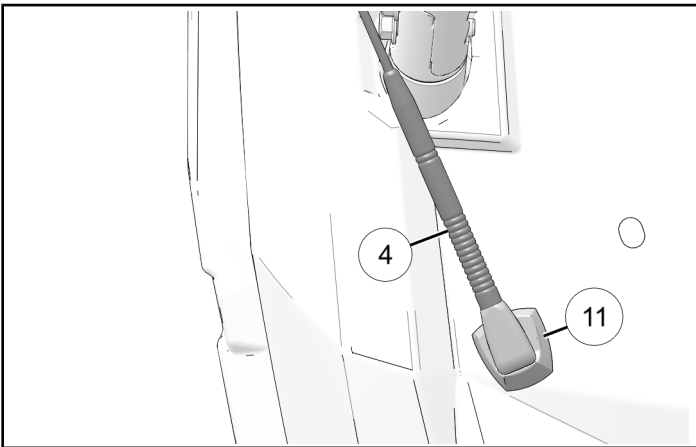
5. Install ground strap ⑦ with retained fastener. Torque fastener until fully seated.



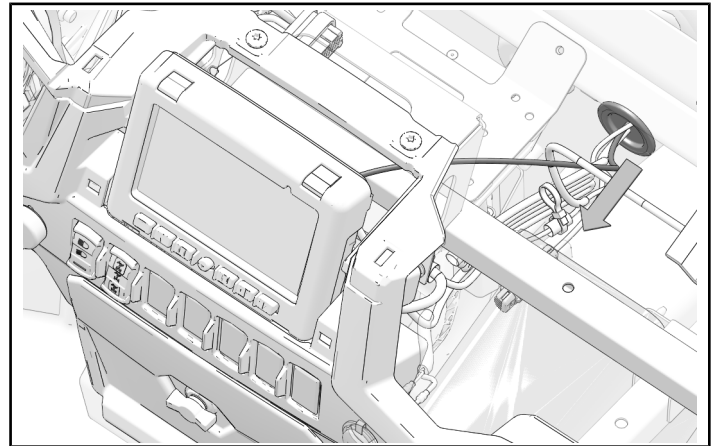
2. Put antenna connector 1F through firewall grommet.



6. Install antenna mast ④ into antenna mount ⑪.

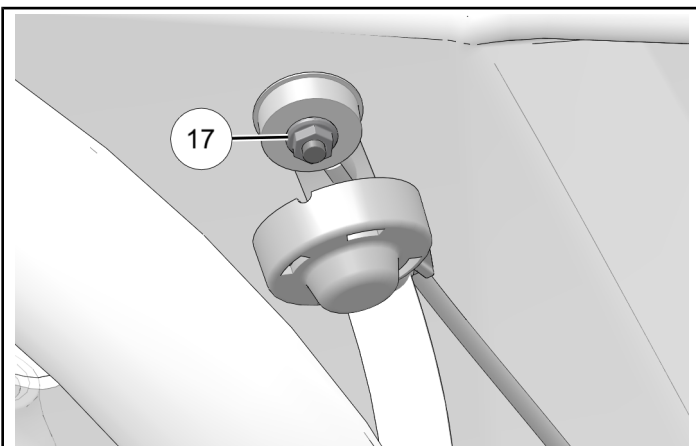


3. Pull antenna connector from firewall grommet towards Ride Command® display.

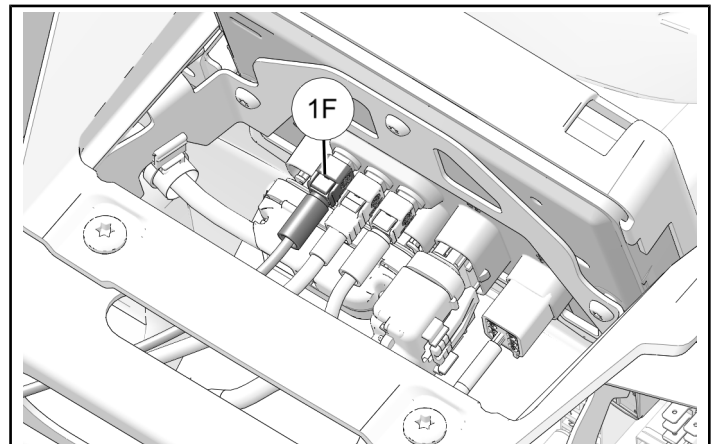


### AM/FM ANTENNA HARNESS ① ROUTING

1. Put antenna mount ring connector 1F over mounting post and install with nut ⑰.



4. Install antenna connector 1F to Ride Command® display.



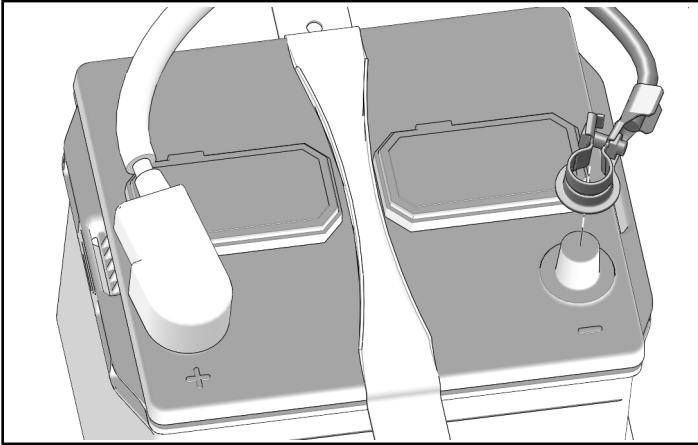
## VEHICLE REASSEMBLY

### BATTERY CONNECT

1. Install negative (-) terminal clamp with fastener. Torque fastener to specification.

#### TORQUE

Terminal Clamp Fastener:  
**60 in-lbs (6.5 N·m)**

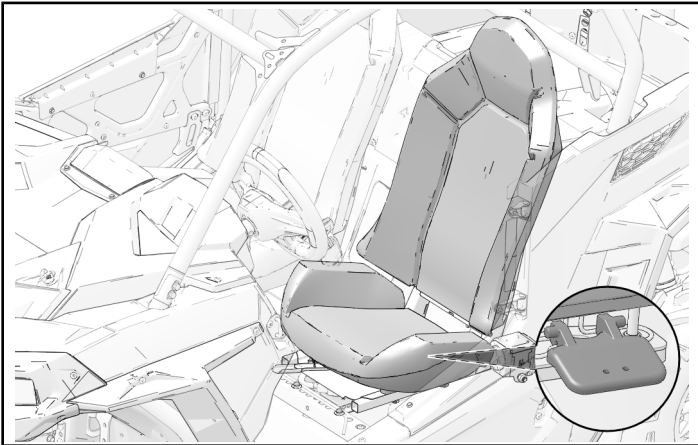


### SEAT INSTALLATION

#### NOTICE

Driver seat shown; passenger seat similar.

1. Put seat in installed position. Align latch with plunger on vehicle.

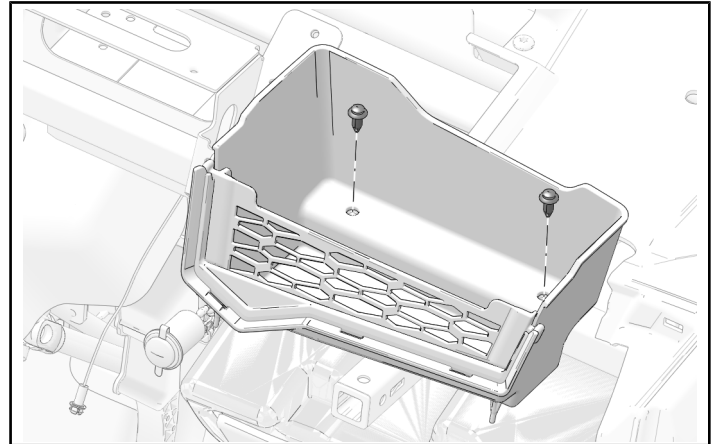


### AUDIO TEST

1. Turn vehicle on.
2. Turn Ride Command® display on and test audio connection.

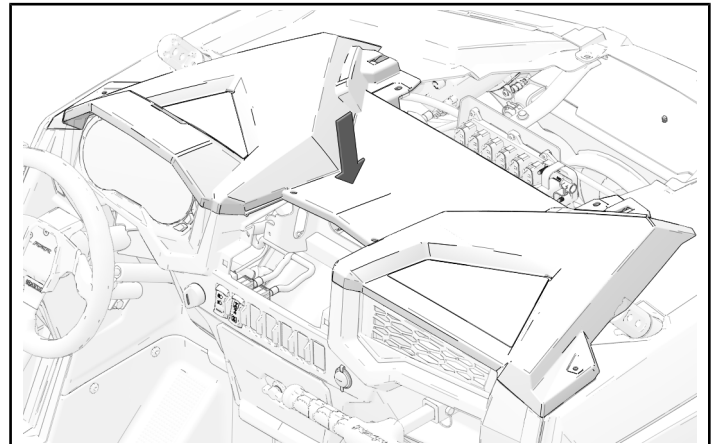
### PASSENGER DASHBOARD STORAGE INSTALLATION

1. Install dashboard storage bin with two push-pin rivets.



### DASHBOARD TOP INSTALLATION

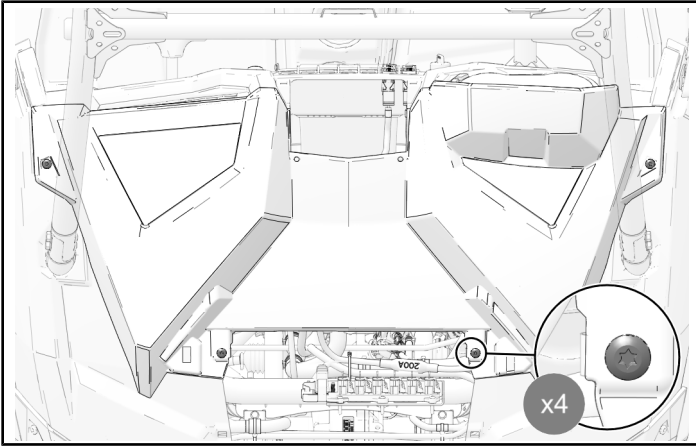
1. Install dashboard on top of front dashboard panel. Make sure top dashboard clips engage with front dashboard.



2. Install dashboard with four dashboard fasteners.

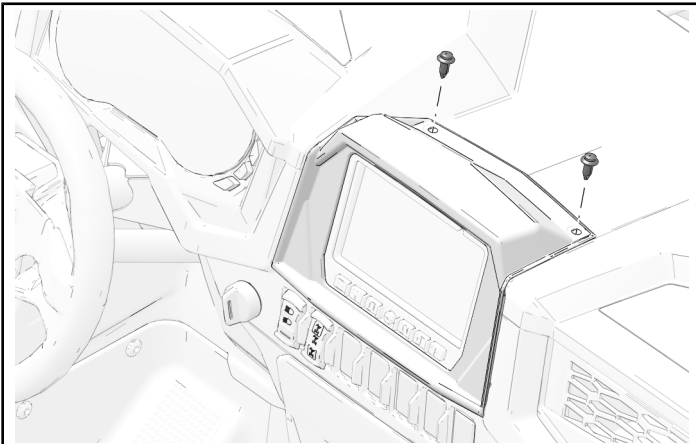
### TORQUE

Dashboard Fasteners:  
**8 ft-lbs (11 N·m)**



### RIDE COMMAND® DISPLAY BEZEL INSTALLATION

1. Align display bezel with Ride Command® and dashboard. Install with two push-pin rivets.



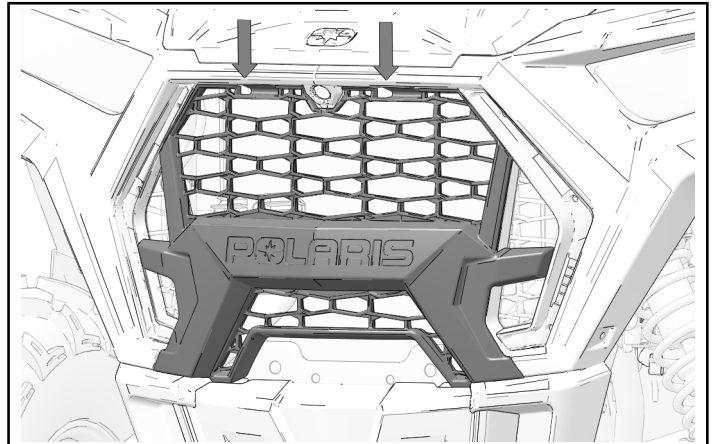
### INSTRUCTION FEEDBACK FORM

A feedback form has been created for the installer to provide any comments, questions or concerns about the installation instructions. The form is viewable on mobile devices by scanning the QR code or by clicking [HERE](#) if viewing on a PC.



### GRILLE INSTALLATION

1. Install grille into front fascia. Make sure two tabs engage with fascia.



Blank Page

