

ACCESSORY POWER SWITCH



SLINGSHOT

P/N 2884791

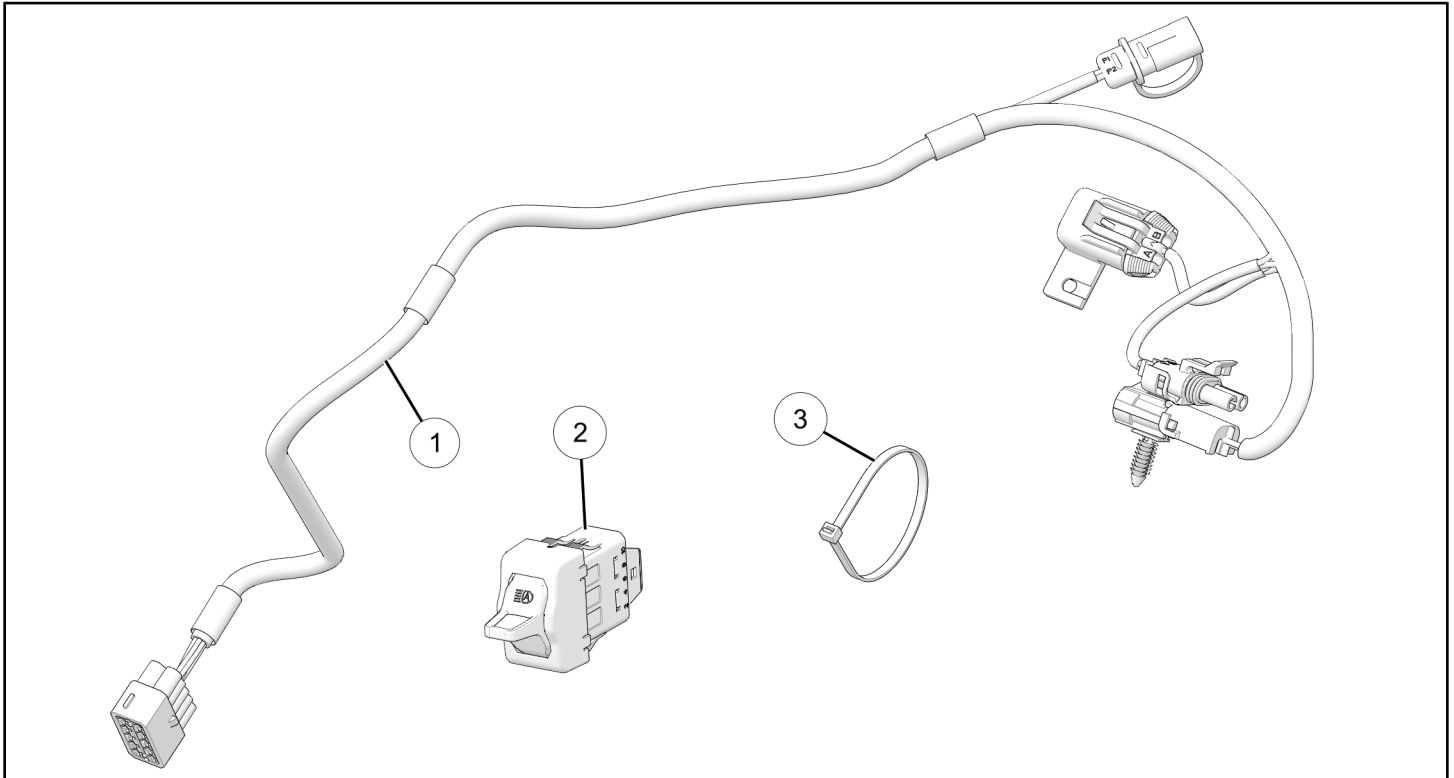
BEFORE YOU BEGIN

Read these instructions and check to be sure all parts and tools are accounted for. Please retain these installation instructions for future reference and parts ordering information.

APPLICATION

Verify accessory fitment at www.polarisslingshot.com.

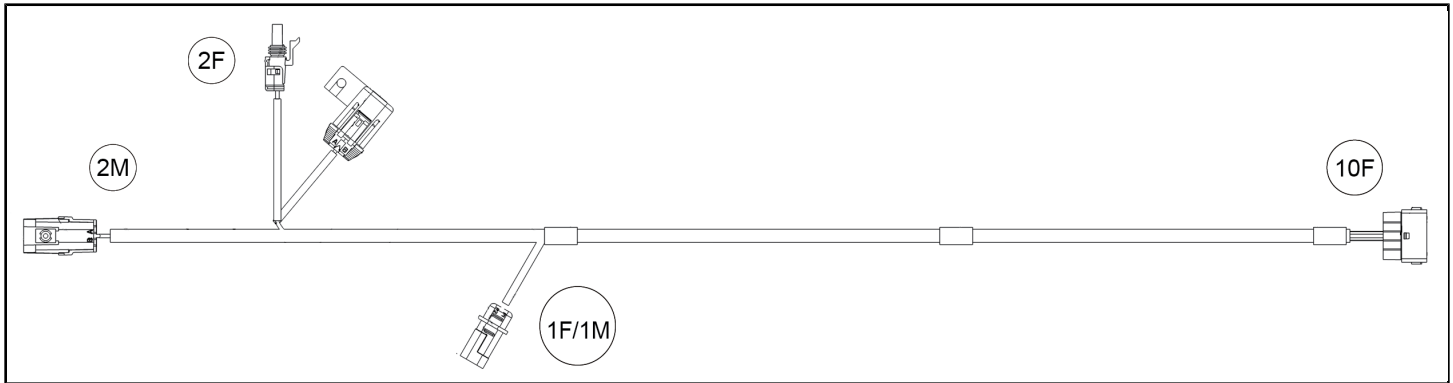
KIT CONTENTS



REF	QTY	PART DESCRIPTION	P/N AVAILABLE SEPARATELY
1	1	Accessory Power Harness	2415603
2	1	Accessory Power Switch	4018375
3	3	Cable Tie	7080138

HARNESS DETAIL

ACCESSORY POWER SWITCH HARNESS



REF	PART DESCRIPTION	CONNECTS TO
2M	Connector – Chassis	Chassis harness
2F	Connector – Interior lights	Interior light harness (if equipped)
10F	Connector – Accessory power switch	Accessory power switch ②
1F/ 1M	Connector – Switched power, accessory	Vehicle accessory (if equipped)

Example: 16F = 16 pin, Female / 16M = 16 pin, Male (Male terminal fits inside female terminal)

TOOLS REQUIRED

- Safety Glasses
- Pliers, Push Pin Rivet
- Socket Set, Hex Bit, Metric
- Socket Set, Torx® Bit
- Torque Wrench

IMPORTANT

Your Accessory Power Switch is exclusively designed for your vehicle. Please read the installation instructions thoroughly before beginning. Installation is easier if the vehicle is clean and free of debris. For your safety, and to ensure a satisfactory installation, perform all installation steps correctly in the sequence shown.

INSTALLATION INSTRUCTIONS

VEHICLE PREPARATION

GENERAL

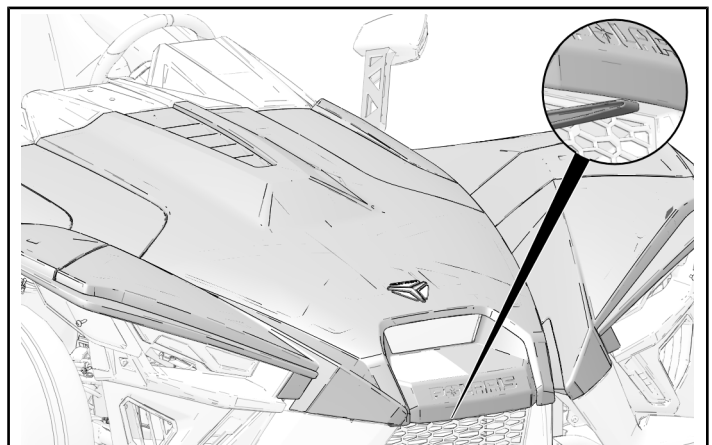
1. Park vehicle on a flat surface.
2. Shift vehicle to NEUTRAL.
3. Press START/STOP button to turn vehicle OFF.
4. Apply parking brake.
5. Remove key fob from proximity of vehicle.

OPEN HOOD

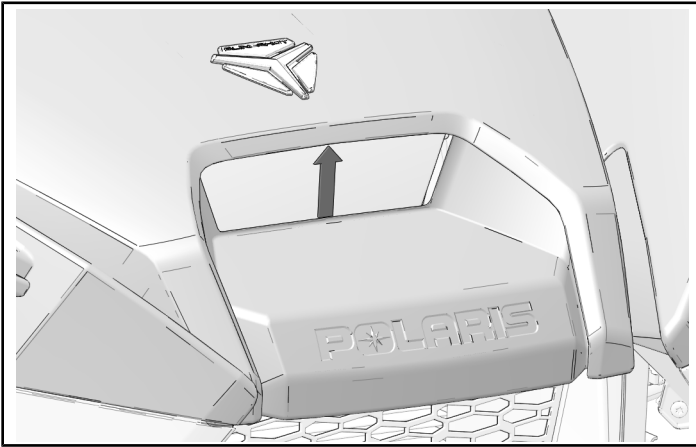
WARNING

Do not grab plastic directly above the hood release lever to open the hood. This may damage the hood.

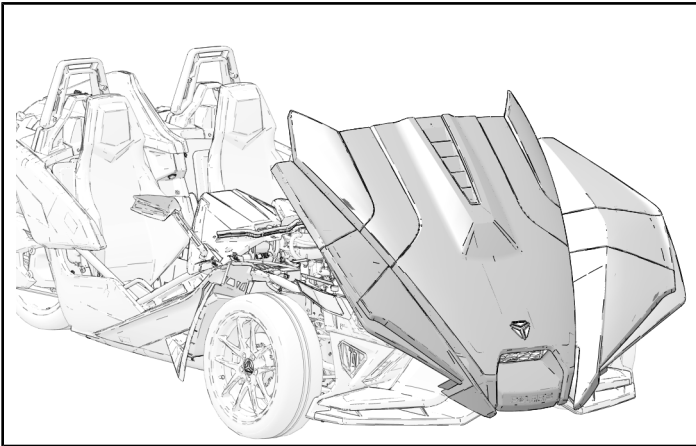
1. Make sure parking brake is applied.
2. Pull hood release lever upward to disengage four hood latches.



3. Pull upwards on hood underside, above LED lamp, using two hands.

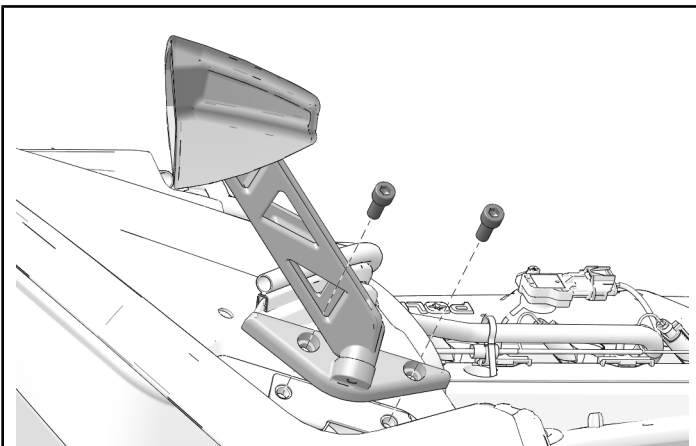


4. Pull hood upward and forward, rotating hood to a vertical position.



REMOVE MIRRORS

1. Remove and keep two mirror mounting screws.



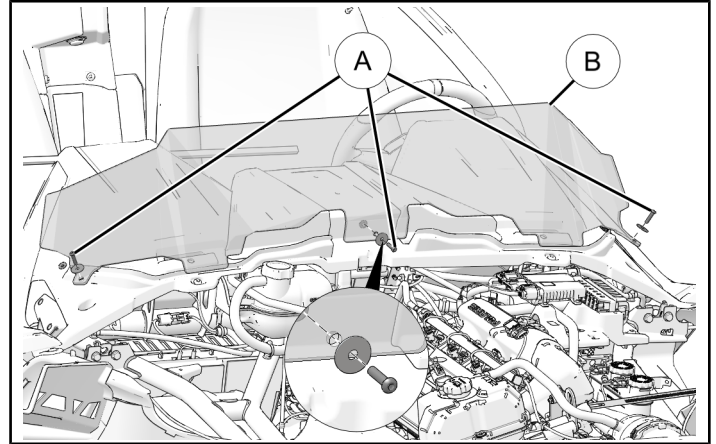
2. Remove and carefully set aside mirror assembly.
3. Repeat for opposite side mirror.

REMOVE WINDSHIELD

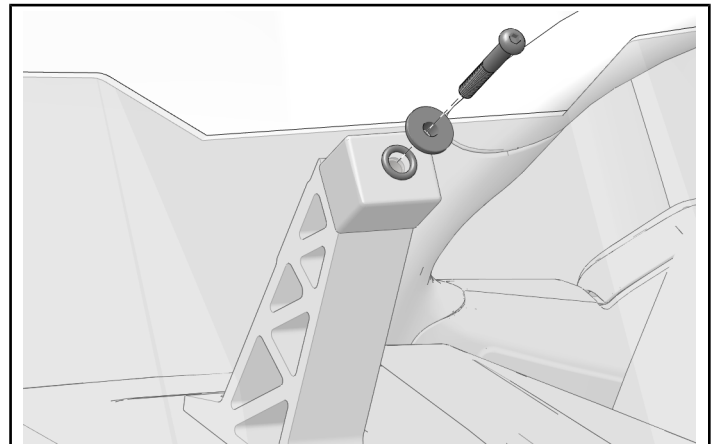
NOTICE

Windshields vary in size and shape but all mount to the same mounting points.

1. Remove and keep three fasteners (A) from base of windshield (B).



2. If equipped, remove and keep screw, washer and O-ring from center windshield mount.

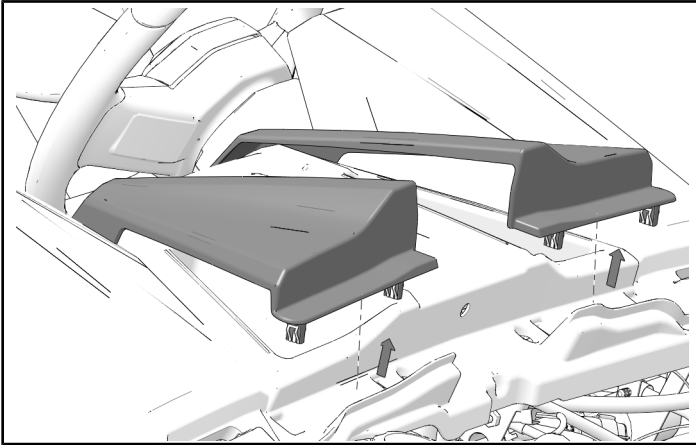


3. Remove windshield and carefully set aside.

REMOVE UPPER DASH

REMOVE UPPER DASH PAINTED PANELS (IF EQUIPPED)

1. Remove and keep upper dash painted panels by lifting from front edges to release clips.

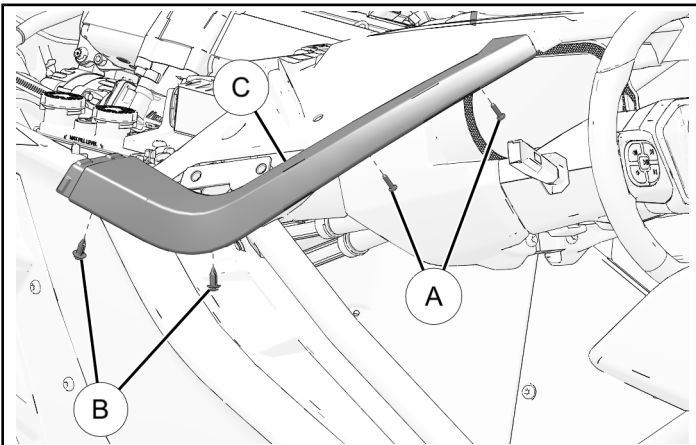


REMOVE SIDE TRIM PANELS

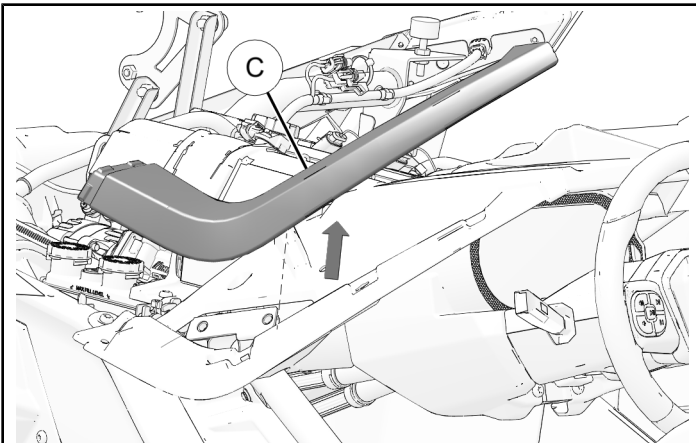
NOTICE

Left side shown; right side similar.

1. Remove and keep two screws (A) and two push-pin rivets (B) from side trim panel (C).

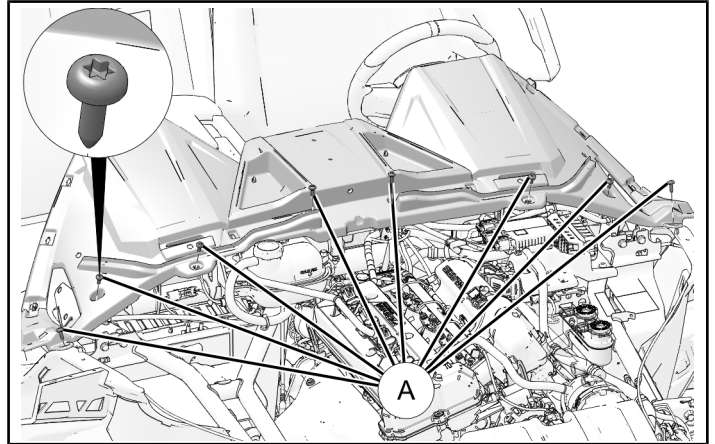


2. Remove side trim panel (C) and carefully set aside.

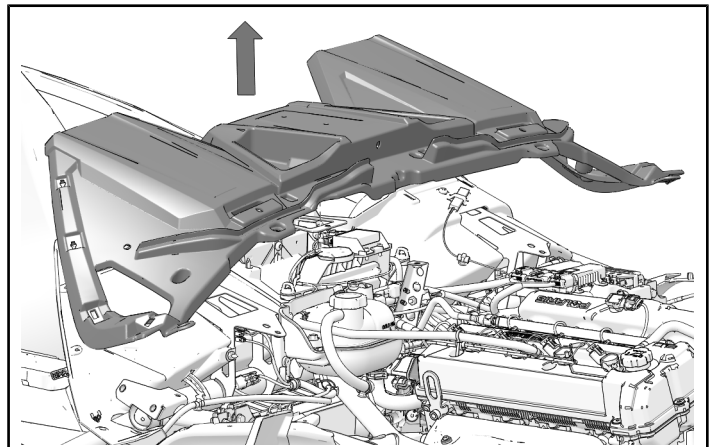


REMOVE UPPER DASH PANEL

1. Remove and keep eight screws (A) from upper dash panel.

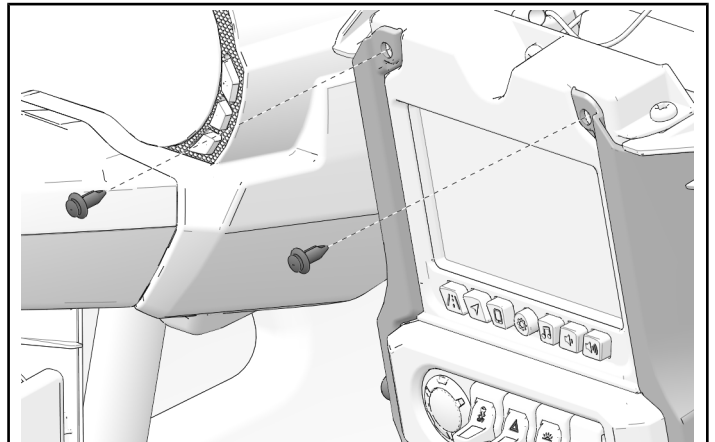


2. If equipped, disconnect dash tweeter speakers from main vehicle harness.
3. Lift front edge of upper dash panel to release clips. Lift off upper dash panel and carefully set aside.

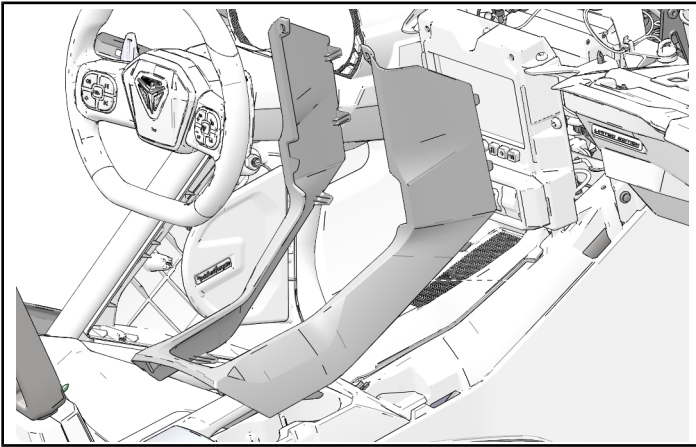


CENTER CONSOLE AND DISPLAY REMOVAL

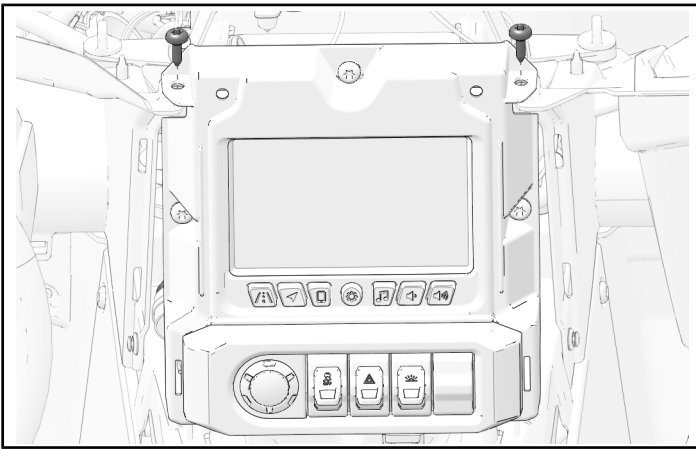
1. Remove and keep two push pins from center console trim.



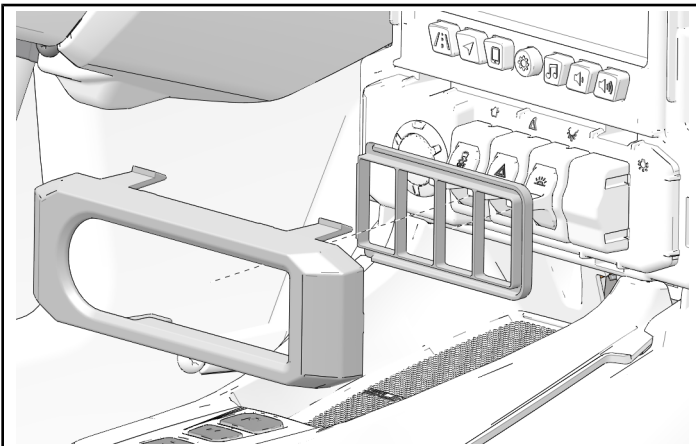
2. Remove center console trim .



3. Remove and keep two display center fasteners. Move display center away from mounting position and disconnect wiring. Remove display center.

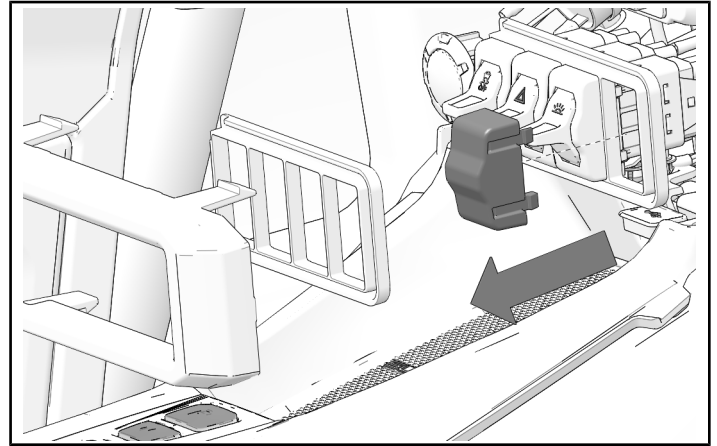


4. Press tabs on back of switch panel to remove switch bezel. Remove switch retainer.



ACCESSORY INSTALLATION

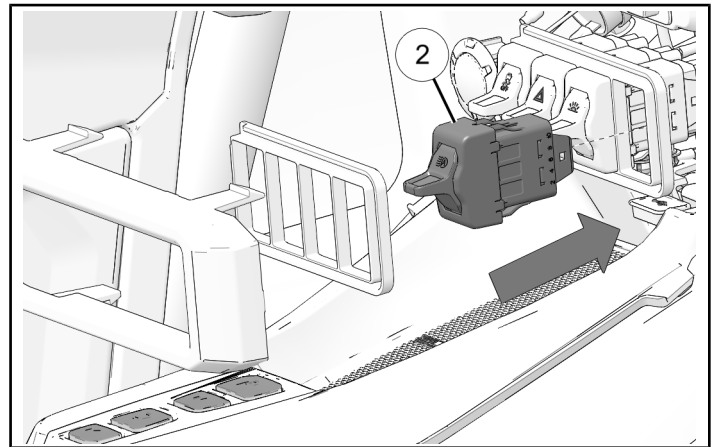
1. Remove switch blank in far right position.



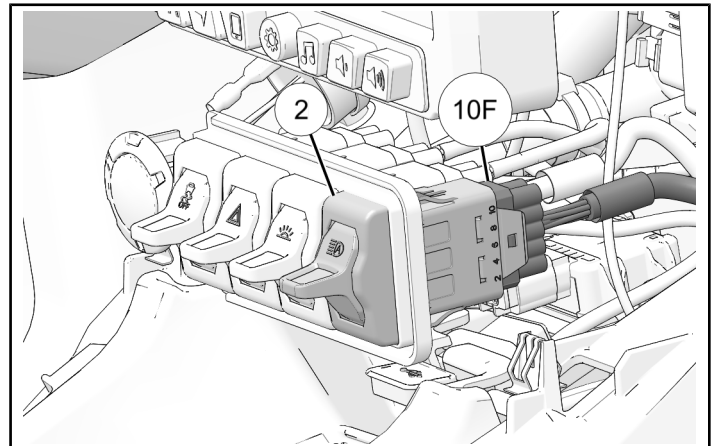
2. Install accessory power switch ② in far right position.

NOTICE

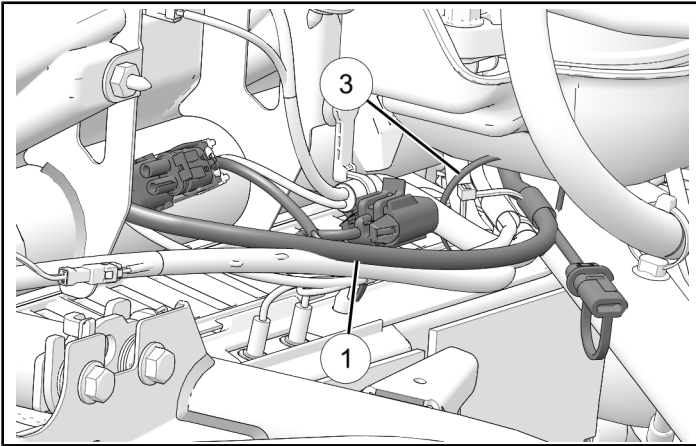
Make sure switch is installed with symbol facing up.



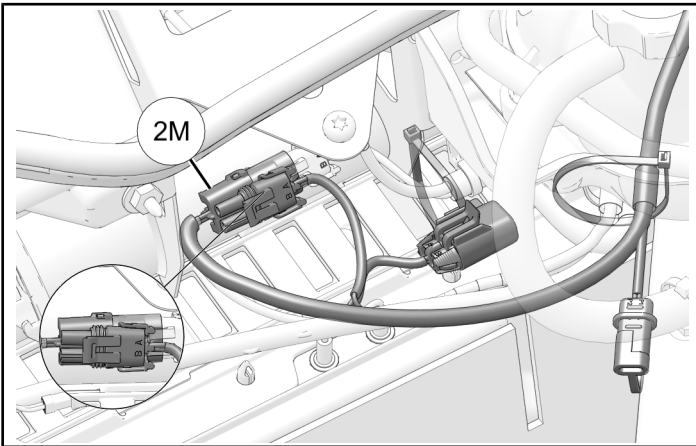
3. Attach connector **10F** on accessory power switch ②.



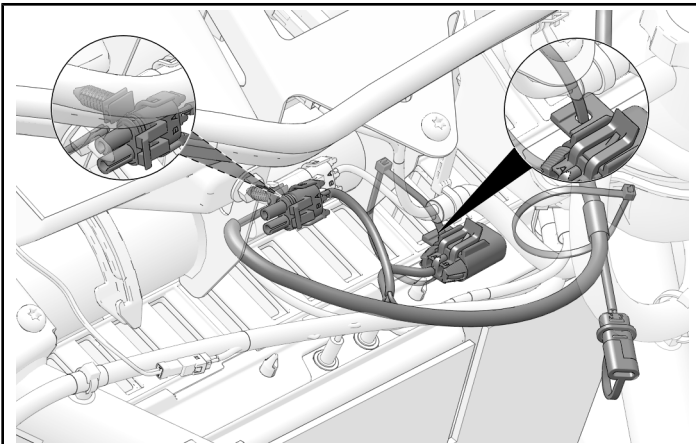
4. Route accessory power harness ③ along existing wiring through firewall and under coolant overflow reservoir as shown. Attach with cable ties ③ at white tape marks.



5. Connect 2M to vehicle power.



6. Attach fuse holder and vehicle power connection to vehicle as shown.

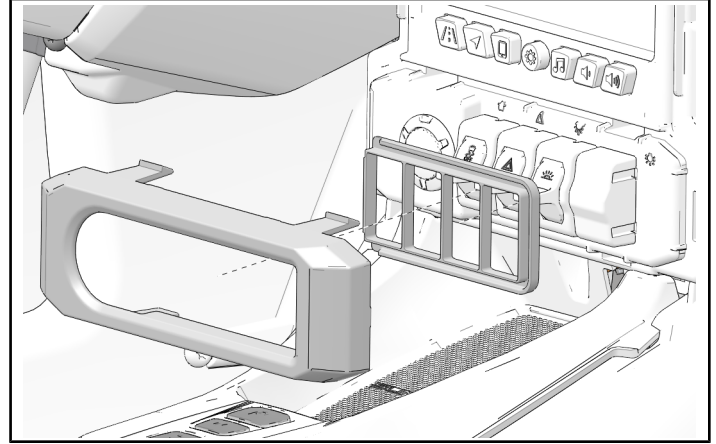


VEHICLE REASSEMBLY

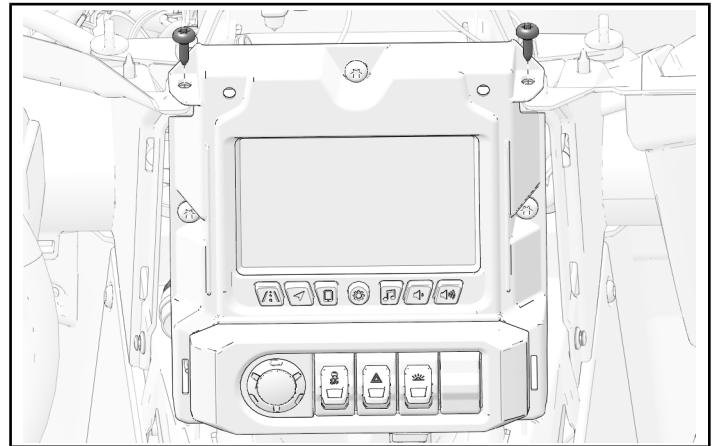
SWITCH PANEL AND CONSOLE REASSEMBLY

INSTALL CONSOLE TRIM

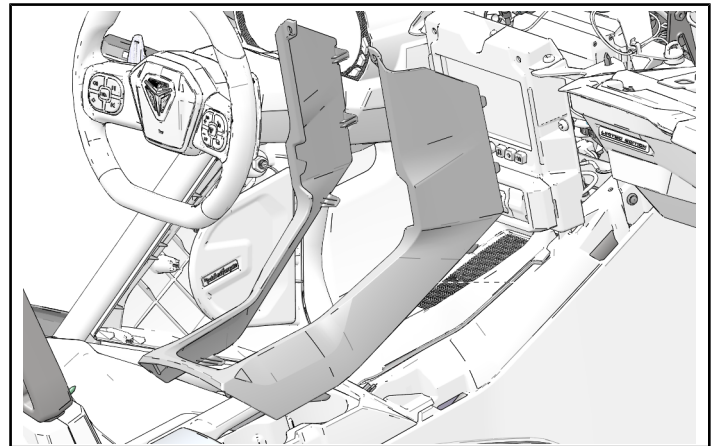
1. Put switch retainer bezel and switch bezel in place.



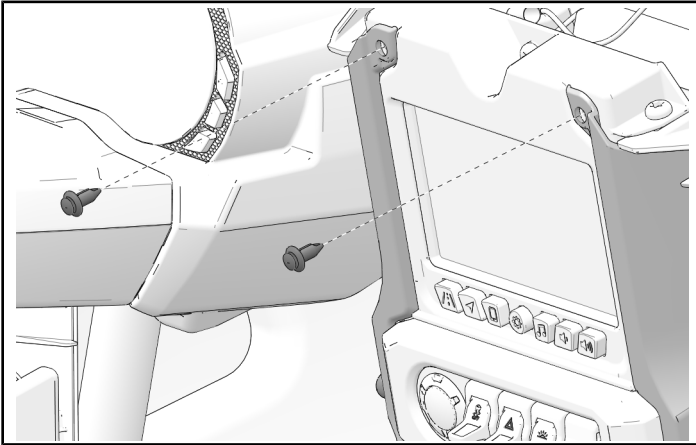
2. Put display center in place and install retained fasteners.



3. Put center console trim in place.



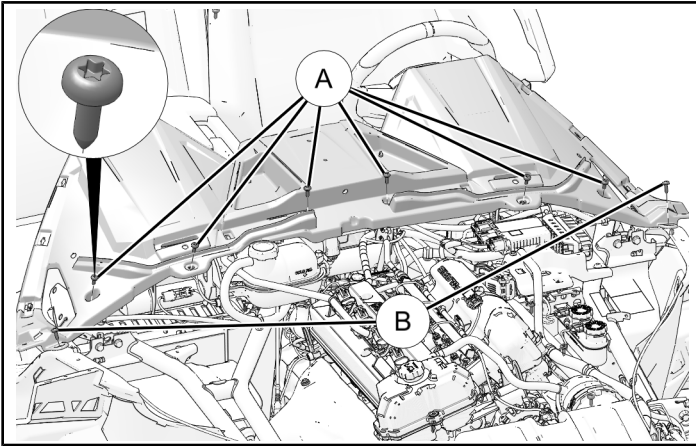
4. Install two retained push pins from center console trim.



INSTALL UPPER DASH

INSTALL UPPER DASH PANEL

1. If equipped, connect dash tweeter speakers to main vehicle harness.
2. Set upper dash panel in place and loosely install eight retained screws (A) and (B).



3. Torque eight screws to specification.

NOTICE

Inner and outer fasteners have different torque specifications.

TORQUE

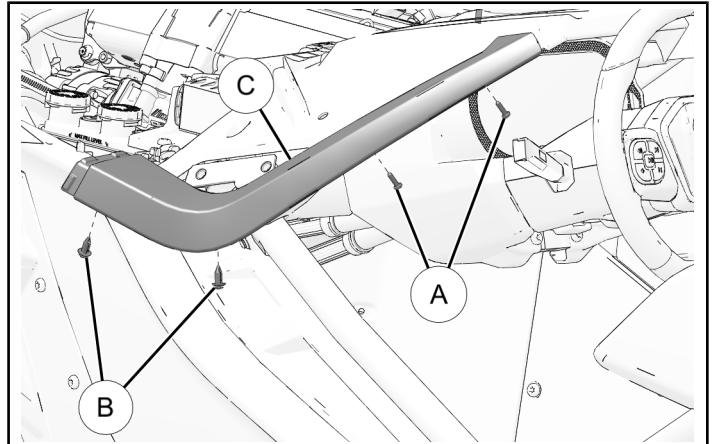
Inner Upper Dash Panel Screws (A):
65 in-lbs (7.4 N·m)

TORQUE

Outer Upper Dash Panel Screws (B):
36 in-lbs (4 N·m)

INSTALL SIDE TRIM PANELS

1. Set side trim panel (C) in place and loosely install two retained screws (A) and install two retained push pin rivets (B).



2. Torque two screws to specification.

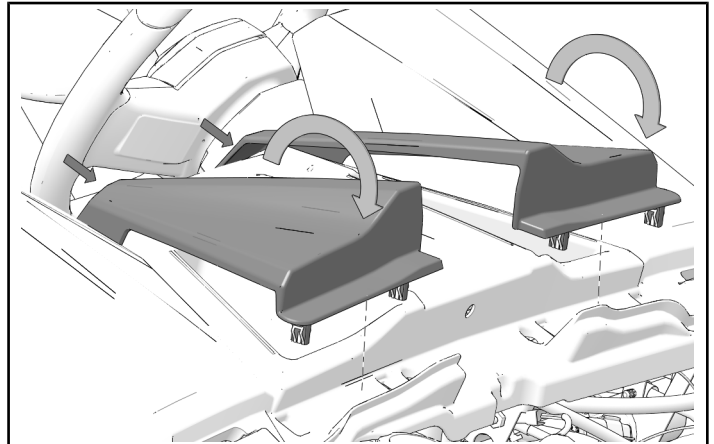
TORQUE

Side Trim Panel Screws (A):
10 in-lbs (1.1 N·m)

3. Repeat steps 1–2 for opposite side trim panel.

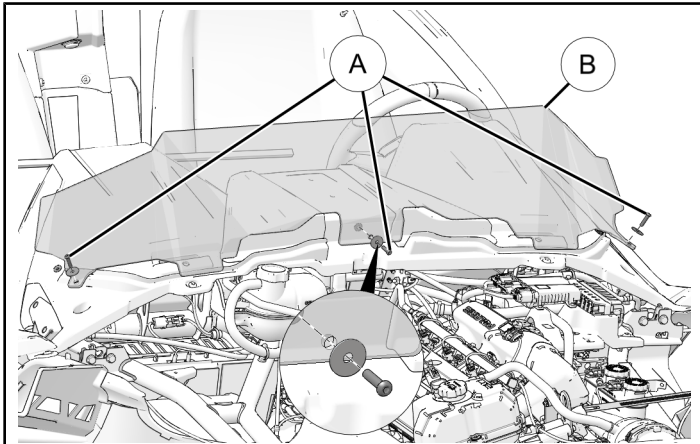
INSTALL UPPER DASH PAINTED PANELS

1. Put small end of panels under dash and rotate to press clips into place.



INSTALL WINDSHIELD

1. Set windshield **B** in place and attach with retained fasteners **A**.



2. Torque fasteners to specification (if applicable).

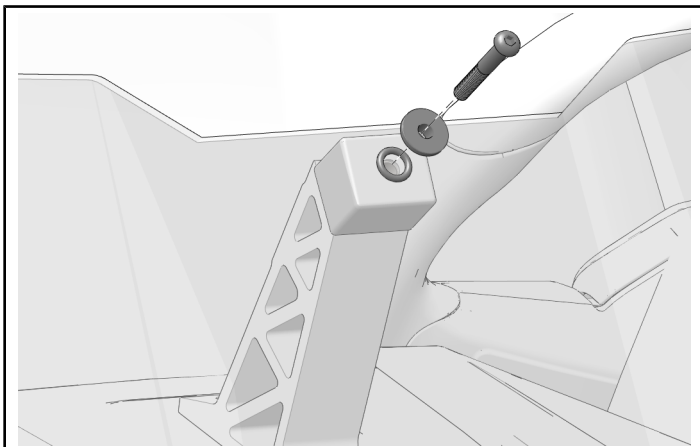
TORQUE

Windshield Threaded Fastener:
13 in-lbs (1.4 N·m)

3. If equipped, install screw, washer and O-ring into center windshield mount. Torque screw to specification.

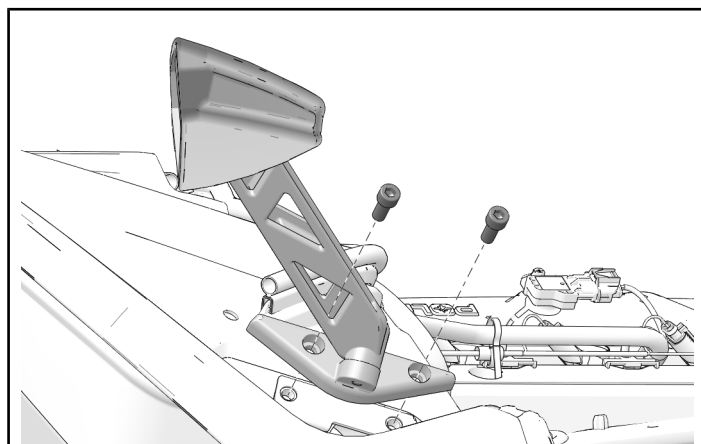
TORQUE

Windshield Center Mount Screw:
13 in-lbs (1.4 N·m)



INSTALL MIRRORS

1. Set mirror in place and attach with two mirror mounting screws.



2. Torque mounting screws to specification.

TORQUE

Mirror Mount Screws:
35 ft-lbs (47 N·m)

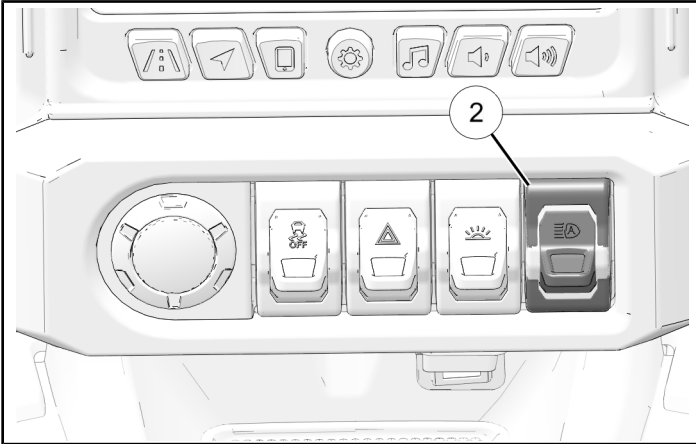
3. Repeat for opposite side mirror.

OPERATION

1. Put switch ② down to power Off (shown). Put switch up to power On.

NOTICE

Make sure switch symbol lights up when vehicle lights are switched on.



INSTRUCTION FEEDBACK FORM

A feedback form has been created for the installer to provide any comments, questions or concerns about the installation instructions. The form is viewable on mobile devices by scanning the QR code or by clicking [HERE](#) if viewing on a PC.

