

SUBWOOFER KIT



P/N 2884917

BEFORE YOU BEGIN

Read these instructions and check to be sure all parts and tools are accounted for. Please retain these installation instructions for future reference and parts ordering information.

APPLICATION

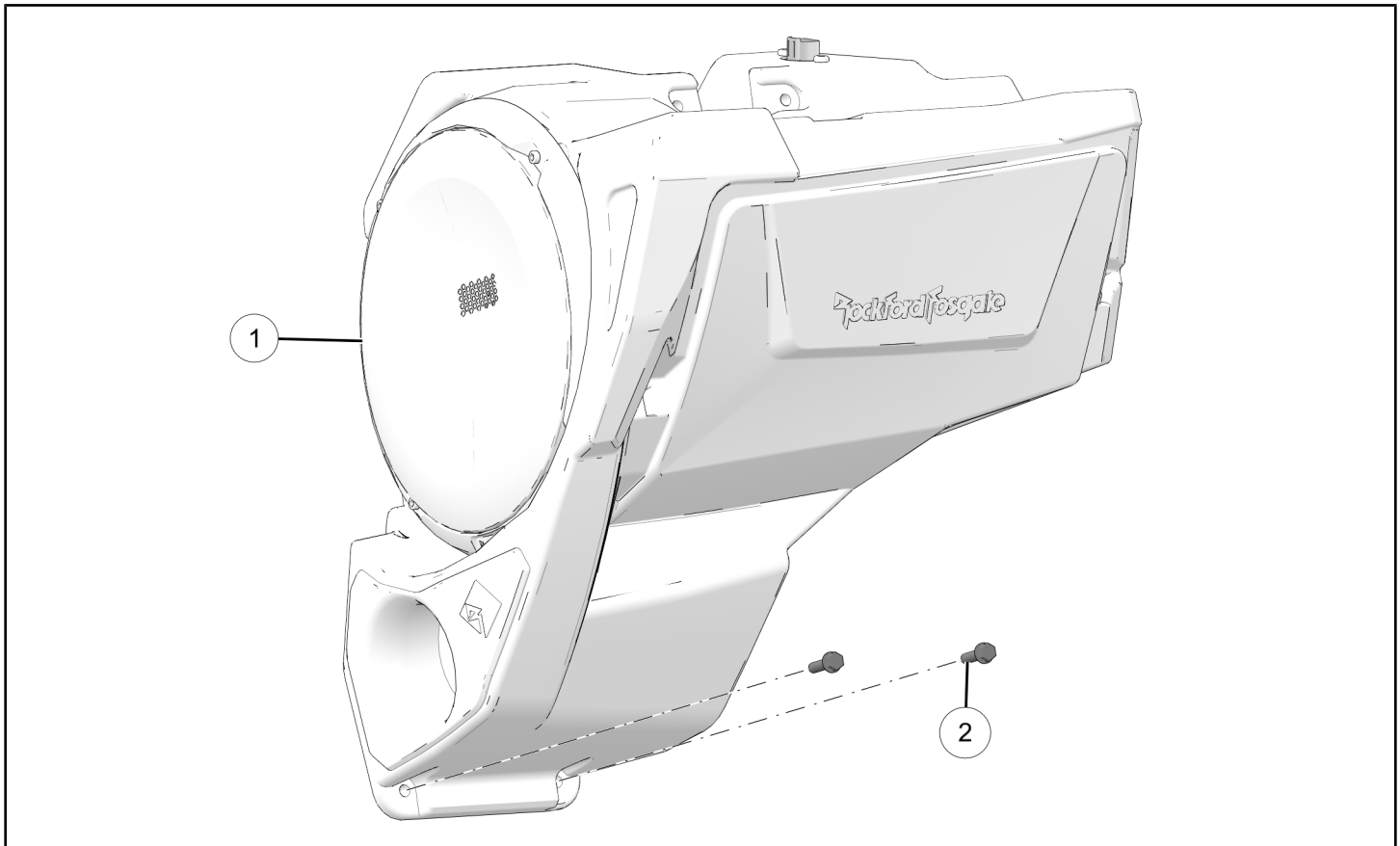
Verify accessory fitment at www.polaris.com.

REQUIRED SOLD SEPARATELY

Only parts for installation of the Subwoofer Kit are included. Prior installation of the following additional kits are also required (sold separately):

- *Ride Command® Mount Kit*, P/N 2884731

KIT CONTENTS



REF	QTY	PART DESCRIPTION	P/N AVAILABLE SEPARATELY
1	1	Assembly-Subwoofer	2415620
2	2	Screw-Self-Threading HI/Lo, #14 x 1.0	7512098

TOOLS REQUIRED

- Safety Glasses
- Pliers, Push Pin Rivet
- Socket Set, Metric
- Socket Set, SAE
- Socket Set, Torx® Bit
- Torque Wrench
- Wrench Set, Metric
- Wrench Set, SAE

IMPORTANT

Your Subwoofer Kit is exclusively designed for your vehicle. Please read the installation instructions thoroughly before beginning. Installation is easier if the vehicle is clean and free of debris. For your safety, and to ensure a satisfactory installation, perform all installation steps correctly in the sequence shown.

INSTALLATION INSTRUCTIONS

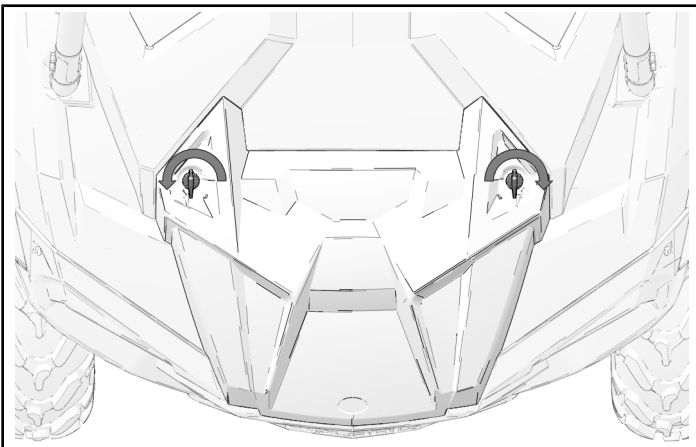
VEHICLE PREPARATION

GENERAL

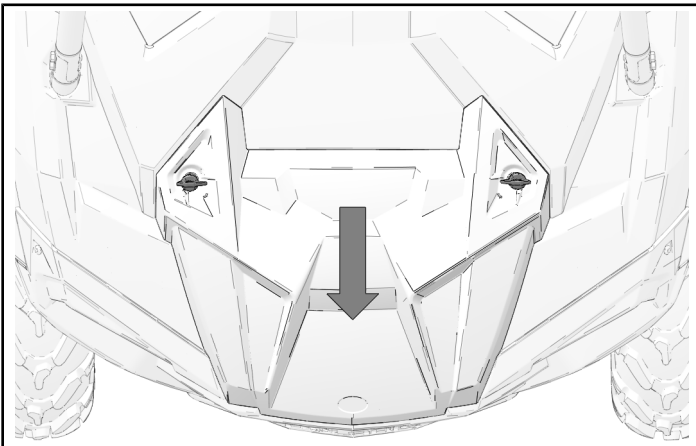
1. Shift vehicle transmission into PARK.
2. Turn key to OFF position and remove from vehicle.

CENTER HOOD PANEL REMOVAL

1. Turn quarter-turn fasteners to unlock hood from vehicle.



2. Move hood forward to remove from vehicle.

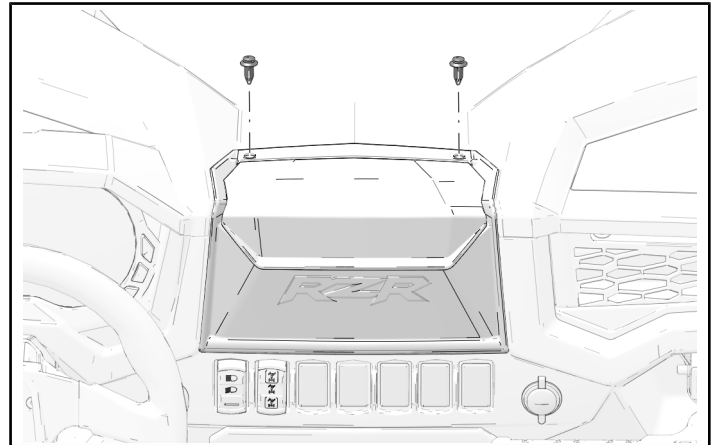


DASHBOARD STORAGE REMOVAL

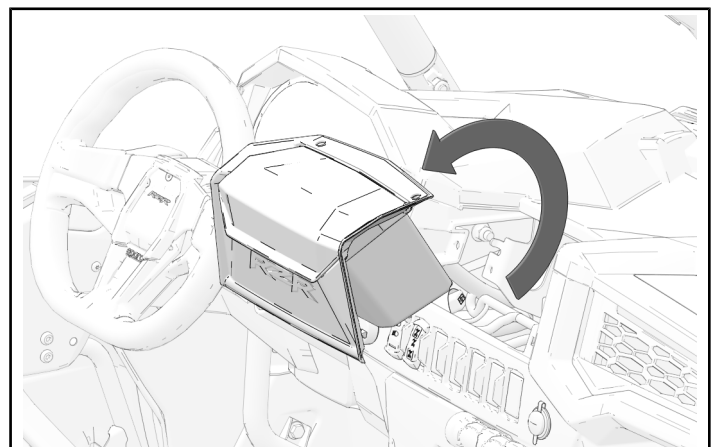
NOTICE

Storage bin shown; audio head unit bezel similar.

1. Remove two push-pin rivets from top of storage compartment.

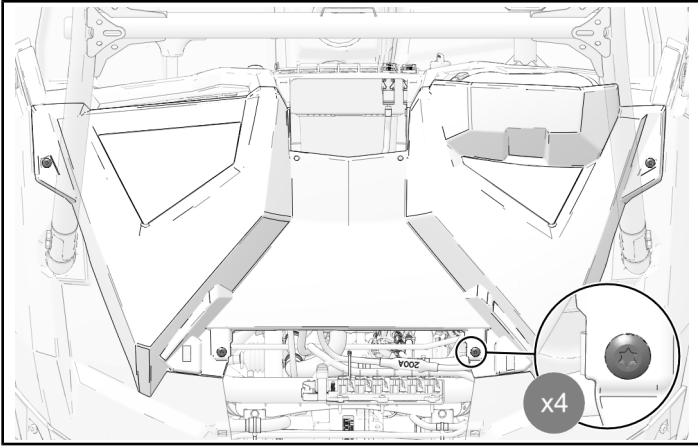


2. Tilt storage compartment rearward to remove from dashboard.

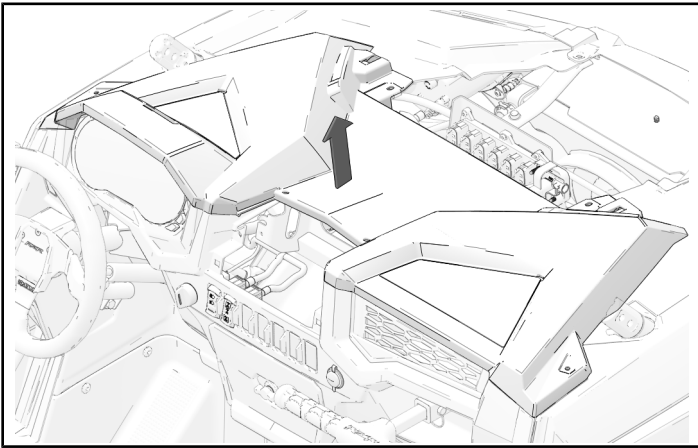


DASHBOARD TOP REMOVAL

1. Remove four dashboard fasteners.

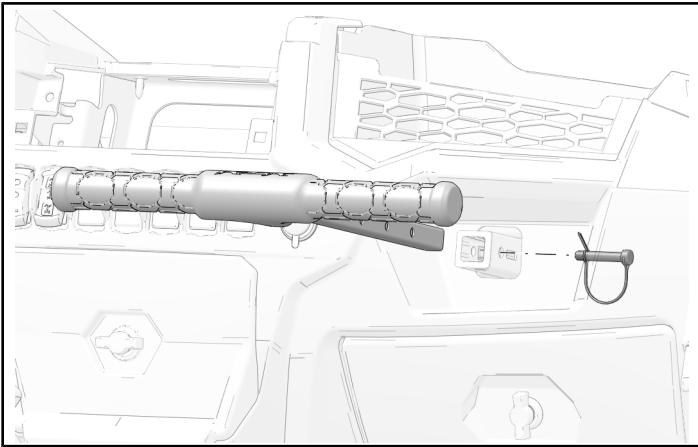


2. Lift dashboard upwards to remove from vehicle.



PASSENGER HAND HOLD REMOVAL

1. Remove pin from receiver to remove passenger hand hold.

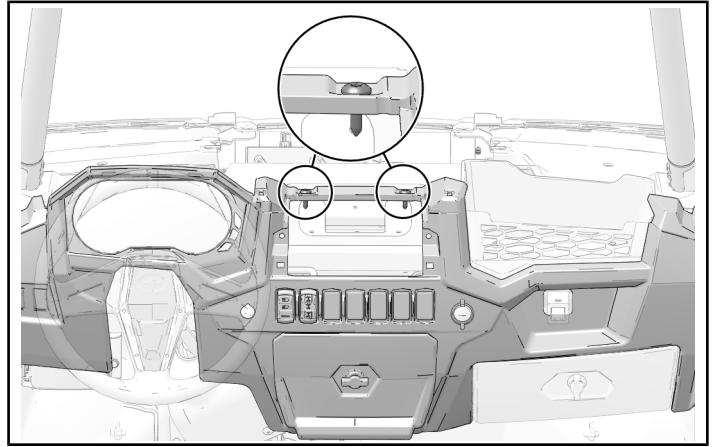


FRONT DASHBOARD REMOVAL

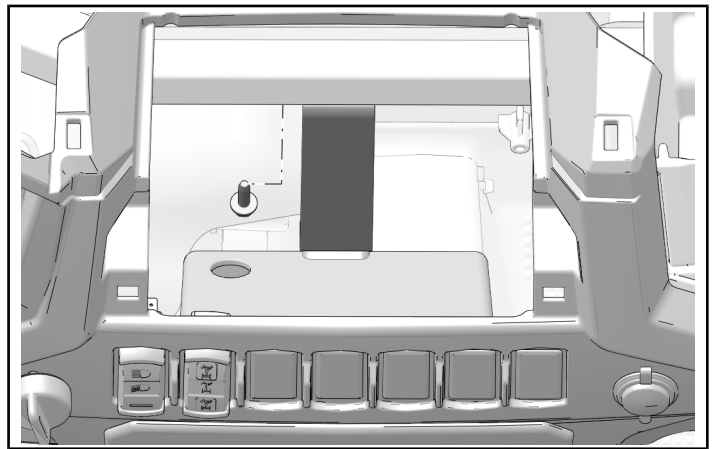
1. Disconnect the following:
 - Dashboard Switches
 - Ignition Switch

- Console Lighting
- Electrical Accessories
- 12 volt Charging Receptacle

2. Remove two fasteners from top of front dashboard.

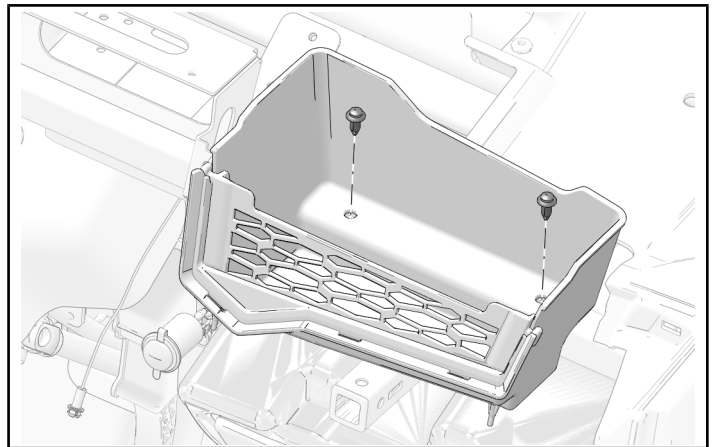


3. Reach through opening and remove one fastener, connecting the bracket to the cross-beam.



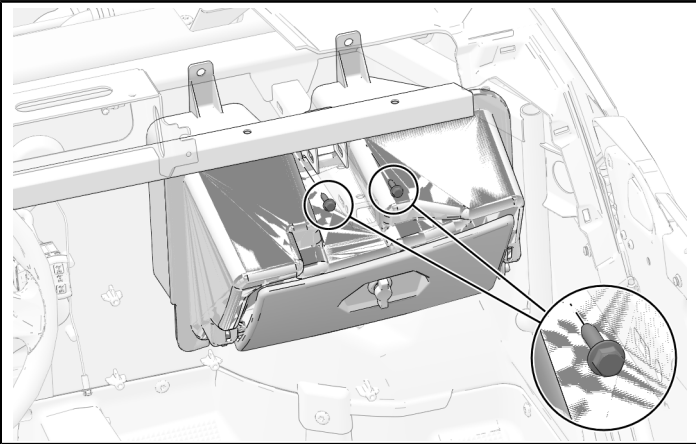
PASSENGER DASHBOARD STORAGE REMOVAL

1. Remove two push-pin rivets and remove passenger-side dashboard storage bin.



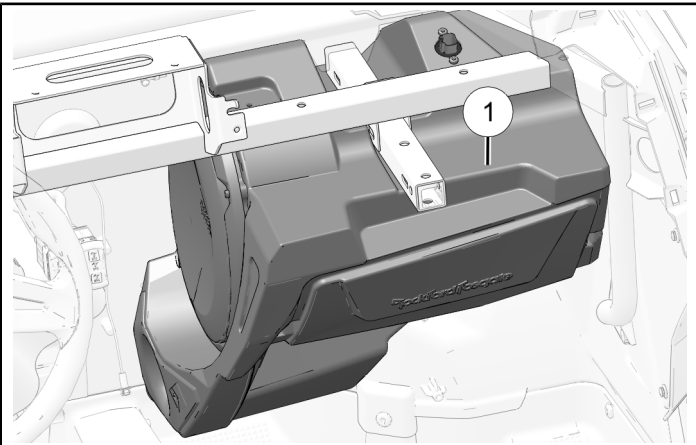
FRONT DASHBOARD STORAGE REMOVAL

1. Remove two fasteners to remove storage bin from front dashboard.

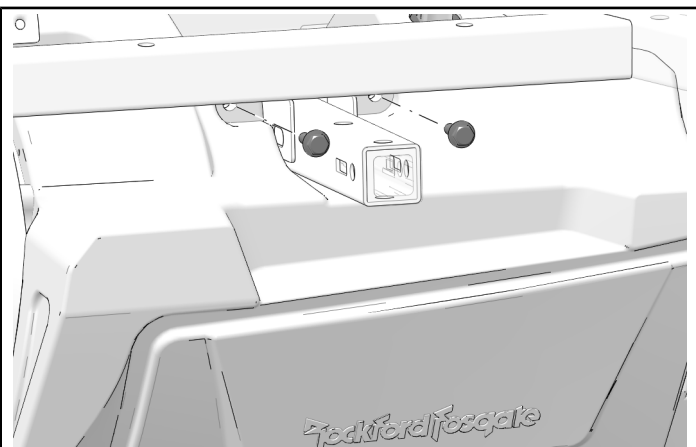


ACCESSORY INSTALLATION

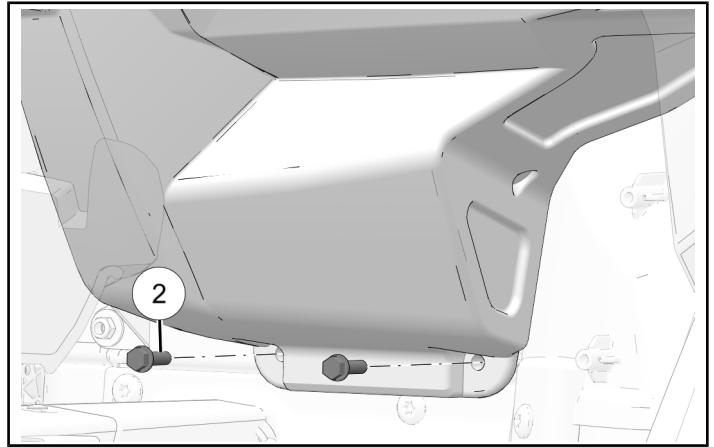
1. Align subwoofer ① with firewall and chassis cross-beam.



2. Install subwoofer to cross-beam with two retained storage bin fasteners.



3. Install subwoofer with two accessory fasteners ②. Torque fasteners until fully seated.



4. Torque two top fasteners to specification.

TORQUE

Top Subwoofer Fasteners:
97 in-lbs (11 N·m)

5. Connect audio harness to subwoofer.

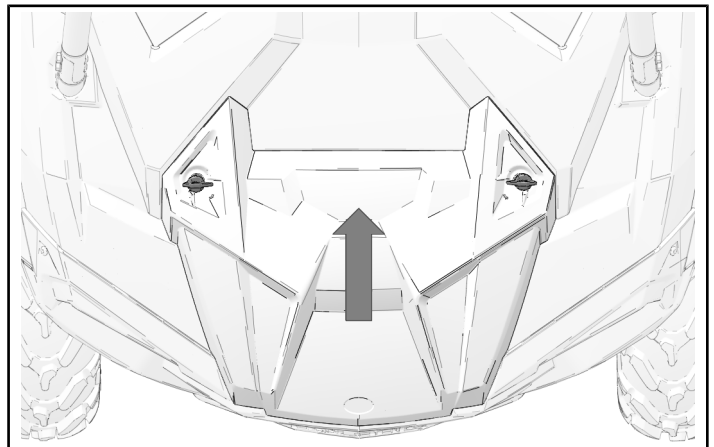
VEHICLE REASSEMBLY

GENERAL

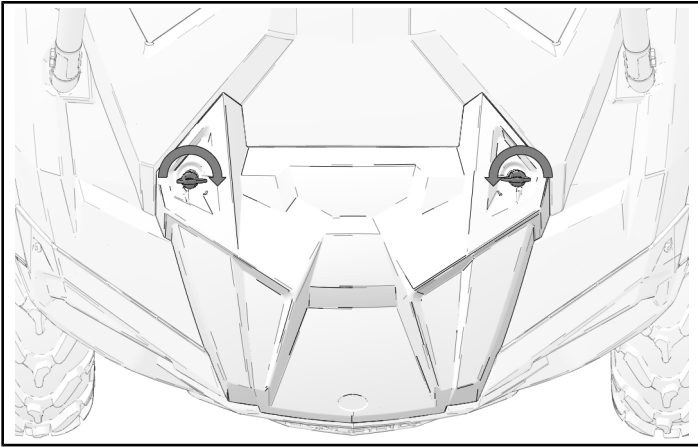
1. Turn vehicle on and test subwoofer before proceeding with vehicle reassembly procedures.

CENTER HOOD PANEL INSTALLATION

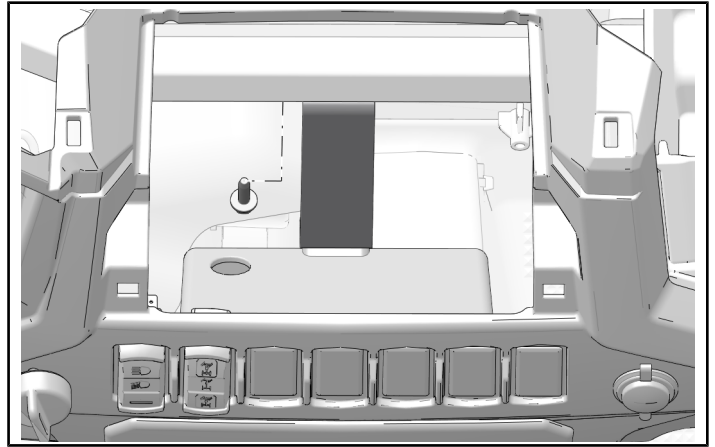
1. Move hood rearward.



2. Turn quarter-turn fasteners to lock hood to vehicle.

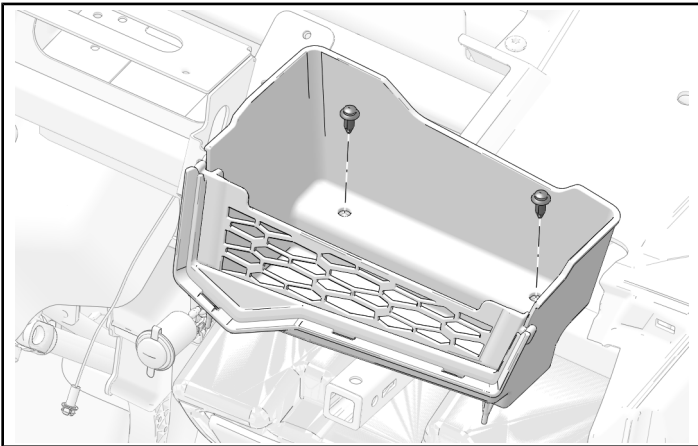


2. Reach through opening and install one fastener.



PASSENGER DASHBOARD STORAGE INSTALLATION

1. Install dashboard storage bin with two push-pin rivets.



3. Torque three front dashboard fasteners to specification.

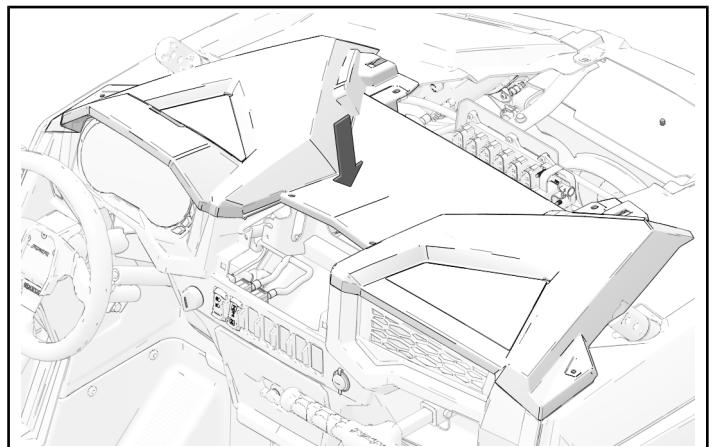
TORQUE

Dashboard Fasteners:
97 in-lbs (11 N·m)

4. Connect the following:
- Dashboard Switches
 - Ignition Switch
 - Console Lighting
 - Electrical Accessories
 - 12 volt Charging Receptacle

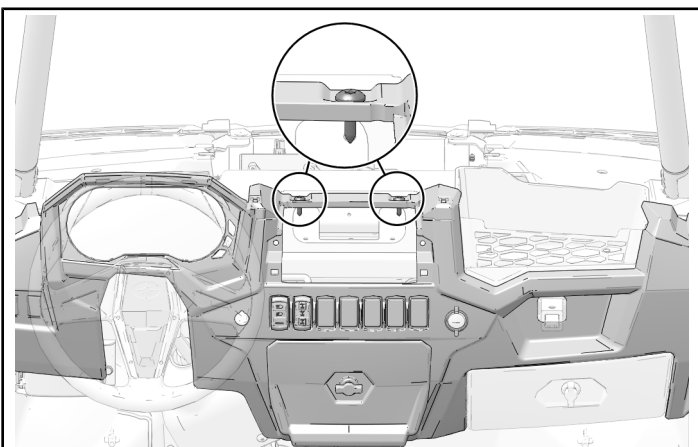
DASHBOARD TOP INSTALLATION

1. Install dashboard on top of front dashboard panel. Make sure top dashboard clips engage with front dashboard.



FRONT DASHBOARD INSTALLATION

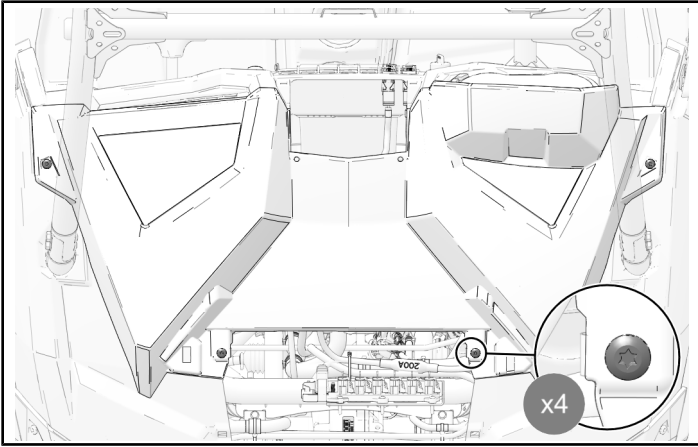
1. Install top of front dashboard with two fasteners.



2. Install dashboard with four dashboard fasteners.

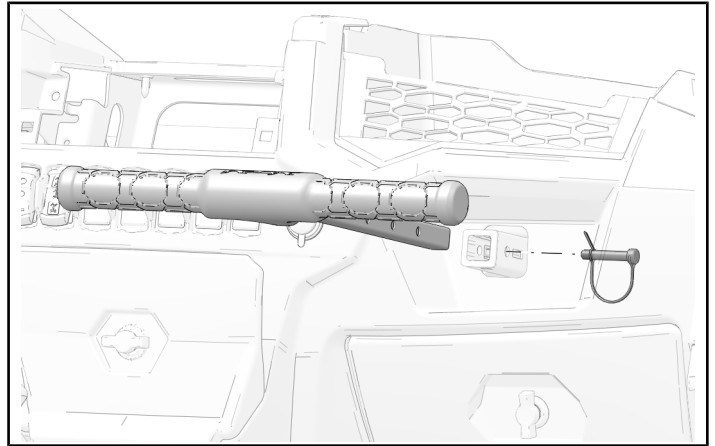
TORQUE

Dashboard Fasteners:
8 ft-lbs (11 N·m)



PASSENGER HAND HOLD INSTALLATION

1. Put passenger hand hold in receiver and install with pin.

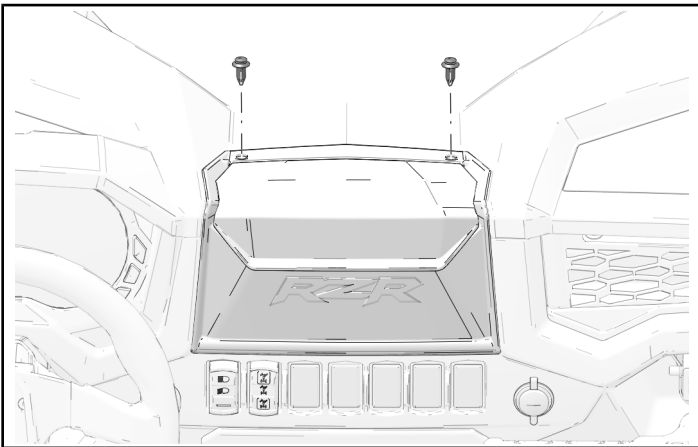


DASHBOARD STORAGE INSTALLATION

NOTICE

Storage bin shown; audio head unit bezel similar.

1. Install storage compartment with two push-pin rivets.



INSTRUCTION FEEDBACK FORM

A feedback form has been created for the installer to provide any comments, questions or concerns about the installation instructions. The form is viewable on mobile devices by scanning the QR code or by clicking [HERE](#) if viewing on a PC.

