

PMX BASE AUDIO KIT BY ROCKFORD FOSGATE®



P/N 2884912

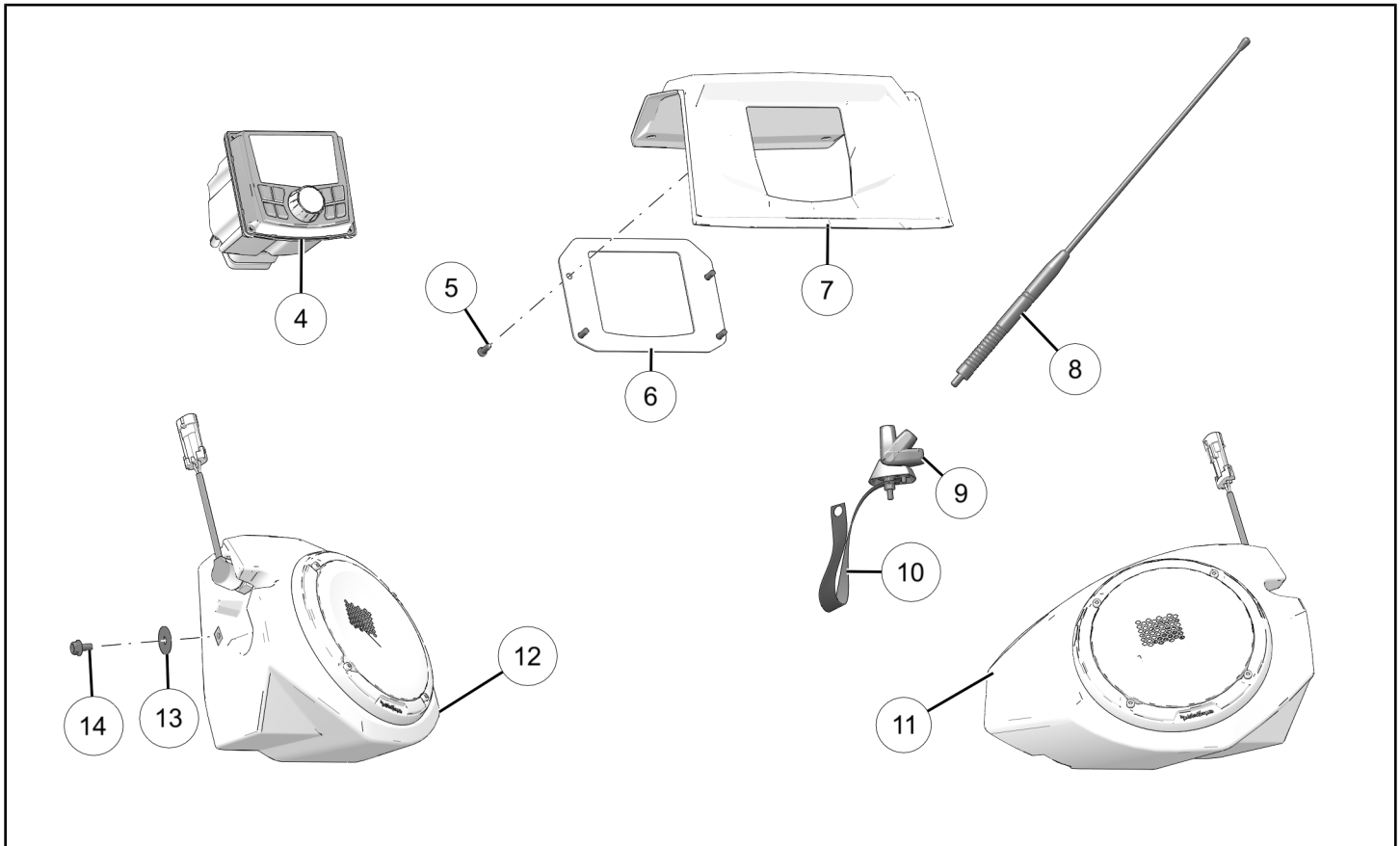
APPLICATION

Verify accessory fitment at www.polaris.com.

BEFORE YOU BEGIN

Read these instructions and check to be sure all parts and tools are accounted for. Please retain these installation instructions for future reference and parts ordering information.

KIT CONTENTS

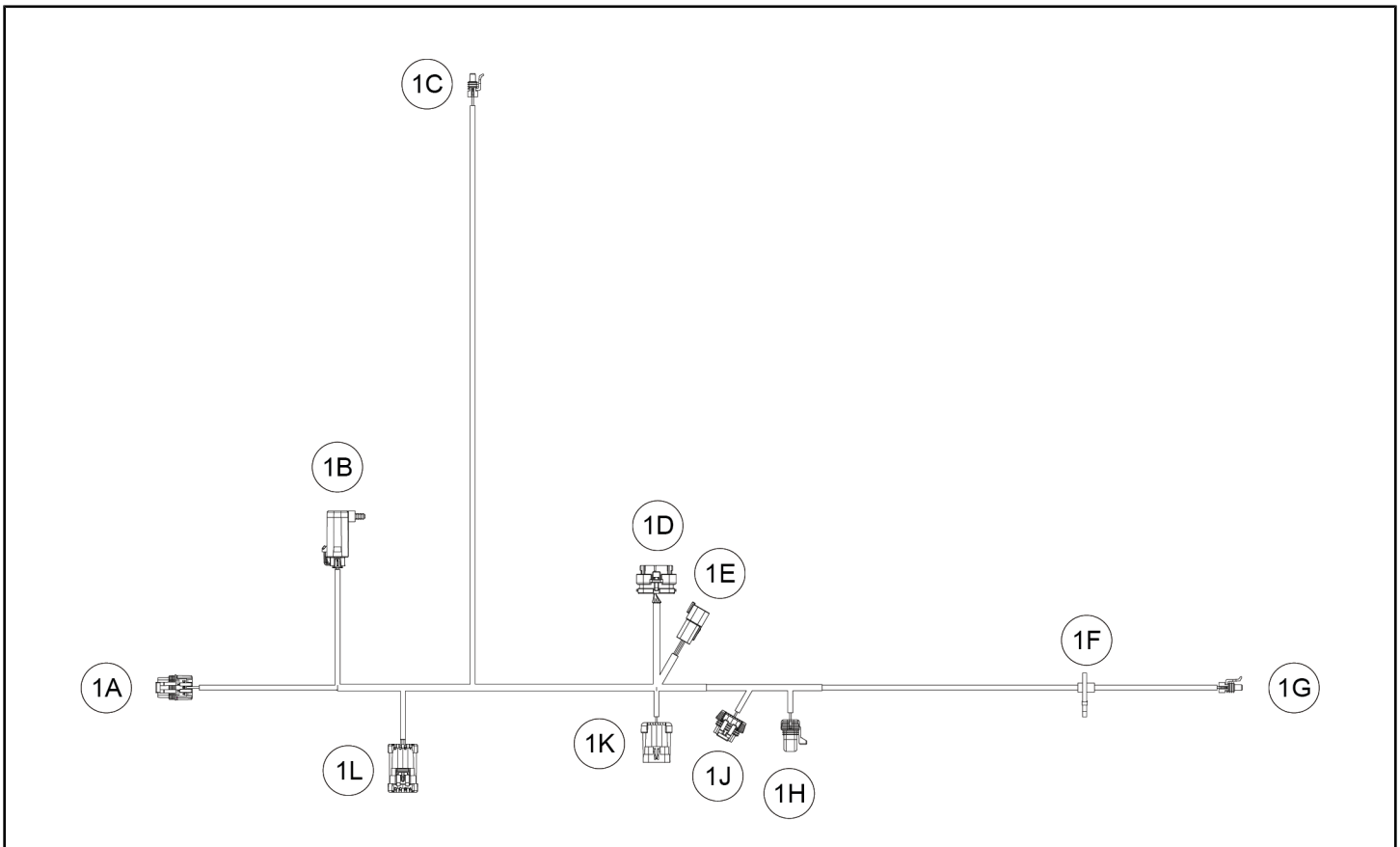


REF	QTY	PART DESCRIPTION	P/N AVAILABLE SEPARATELY	AVAILABLE SERVICE KIT
1	1	Harness–Audio, PMX (not shown, see Harness Detail section)	2415649	n/a
2	1	Harness–USB (not shown, see Harness Detail section)	2415322	n/a
3	1	Harness–AM/FM Antenna (not shown, see Harness Detail section)	2415037	n/a
4	1	Audio–PMX	2637487	n/a
5	4	Screw–Torx® Button Head, #10 x 1/2 in, Hi/Lo	n/a	2884915
6	1	Bracket–PMX	n/a	2884915

REF	QTY	PART DESCRIPTION	P/N AVAILABLE SEPARATELY	AVAILABLE SERVICE KIT
7	1	Mount–Dash, PMX	n/a	2884915
8	1	Antenna–Mast, 90°	4018449	n/a
9	1	Mount–Antenna	4019254	n/a
10	1	Strap–Ground, Antenna	4016696	n/a
11	1	Assembly–Speaker, Front, Right-Hand	n/a	2884916
12	1	Assembly–Speaker, Front, Left-Hand	n/a	2884916
13	6	Washer–0.281 x 1.00 x 0.051	n/a	2884916
14	6	Screw–Hex Flange, M6 x 1.0 x 16	n/a	2884916
15	4	Cable Tie (not shown)	7080761	n/a
16	1	Templates–Front Speaker	9931497	n/a

HARNESS DETAIL

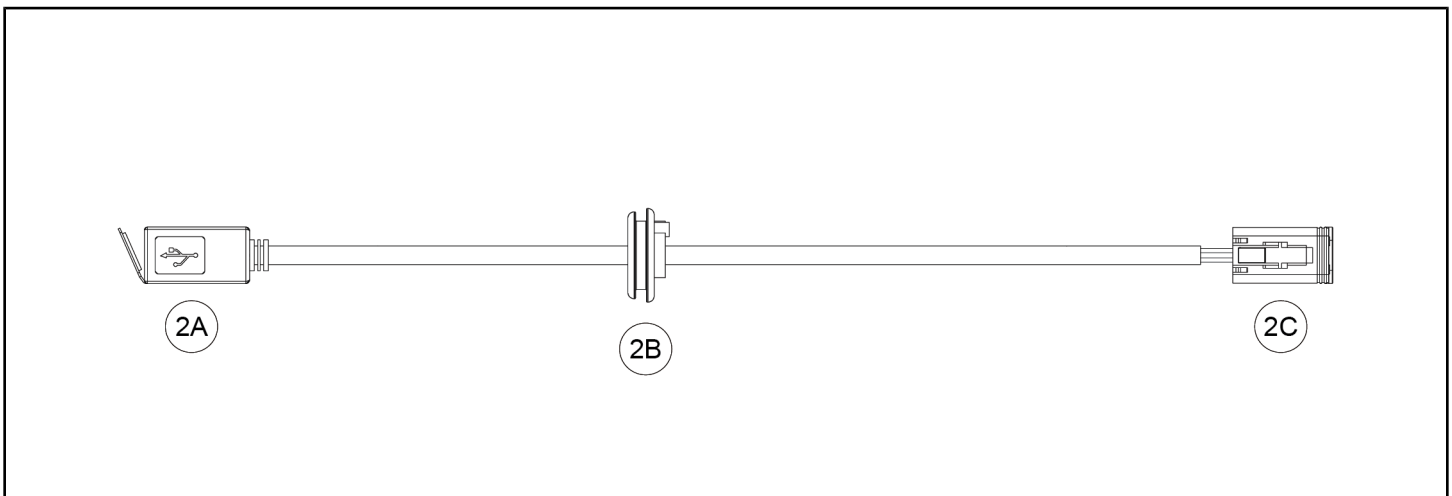
PMX AUDIO HARNESS ①



REF	PART DESCRIPTION	PIN QTY/ GENDER	CONNECTS TO
1A	Connector–Pulse Power	3 Pin / Female	Polaris® Pulse Bar
1B	Fuse Relay Center	n/a	Vehicle Structure

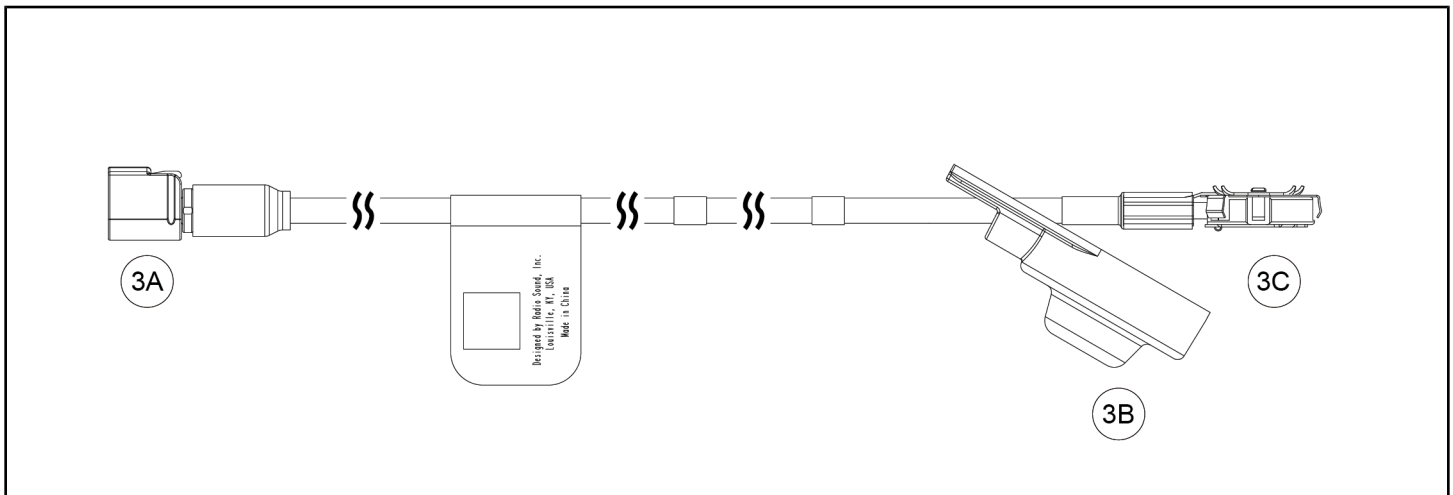
REF	PART DESCRIPTION	PIN QTY/ GENDER	CONNECTS TO
1C	Connector–Speaker, Front, Right-Hand	2 Pin / Female	⑪ Assembly–Speaker, Front, Right-Hand
1D	Connector–PMX Head Unit	23 Pin / Female	④ Audio–PMX Head Unit
1E	Connector–USB Harness	6 Pin / Male	② Harness–USB
1F	Cable Tie	—	Vehicle Structure / Chassis Electrical Harness
1G	Connector–Speaker, Front, Left-Hand	2 Pin / Female	⑫ Assembly–Speaker, Front, Left-Hand
1H	Line Level	7 Pin / Female	n/a
1J	Connector–Amp, Output	8 Pin / Female	Connector 1K
1K	Connector–Speaker	8 Pin / Male	Connector 1J
1L	Connector–Audio, Rear	4 Pin / Male	Rear Audio Harness (Sold Separately)

USB HARNESS ②



REF	PART DESCRIPTION	PIN QTY/ GENDER	CONNECTS TO
2A	Connector–USB, Input	n/a	USB Drive (sold separately)
2B	Grommet	—	Vehicle Structure
2C	Connector–USB	6 Pin / Female	1E Connector–USB Harness

AM/FM ANTENNA HARNESS ③



REF	PART DESCRIPTION	PIN QTY/ GENDER	CONNECTS TO
3A	Connector–AM/FM	1 Pin / Female	④ Audio–PMX Head Unit
3B	Boot–Antenna Connection	—	⑨ Mount–Antenna
3C	Connector–Ring, AM/FM Antenna,	n/a	⑨ Mount–Antenna

TOOLS REQUIRED

- Safety Glasses
- Drill
- Drill Bit:
 - 3/16 in (5 mm)
 - 15/64 in (6 mm)
 - 1/2 in (12 mm)
- Pliers, Push Pin Rivet
- Ruler
- Socket Set, Metric
- Socket Set, Torx® Bit
- Tape Measure
- Torque Wrench

IMPORTANT

Your PMX Base Audio Kit by Rockford Fosgate® is exclusively designed for your vehicle. Please read the installation instructions thoroughly before beginning. Installation is easier if the vehicle is clean and free of debris. For your safety, and to ensure a satisfactory installation, perform all installation steps correctly in the sequence shown.

INSTALLATION INSTRUCTIONS

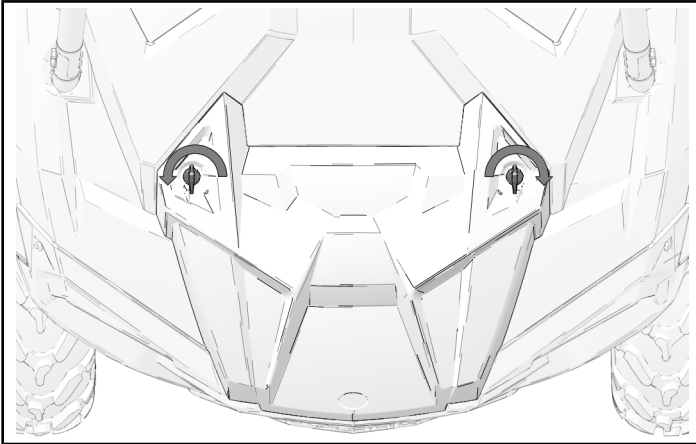
VEHICLE PREPARATION

GENERAL

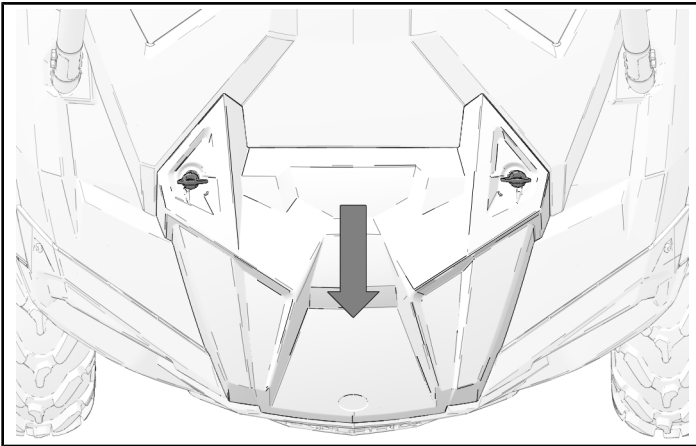
1. Shift vehicle transmission into PARK.
2. Turn ignition switch to OFF position and remove key.

CENTER HOOD PANEL REMOVAL

1. Turn quarter-turn fasteners to unlock hood from vehicle.



2. Move hood forward to remove from vehicle.

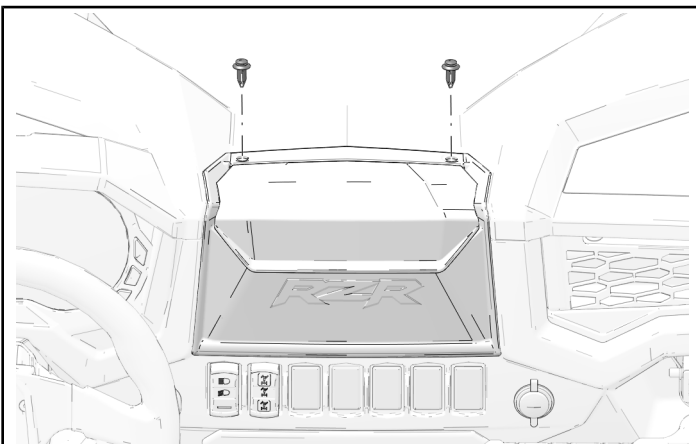


DASHBOARD STORAGE REMOVAL

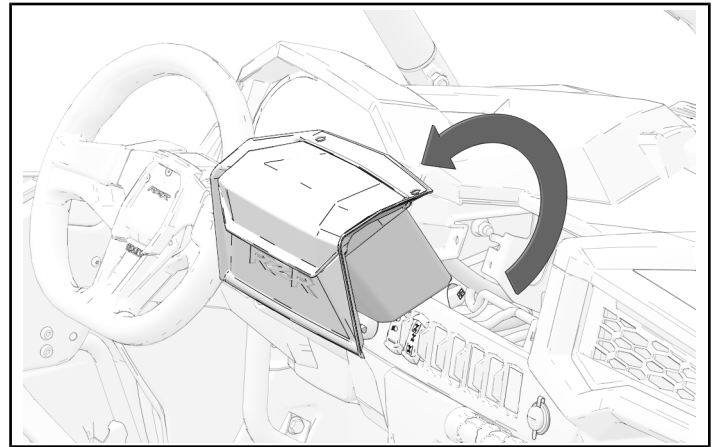
NOTICE

Storage bin shown; audio head unit bezel similar.

1. Remove two push-pin rivets from top of storage compartment.

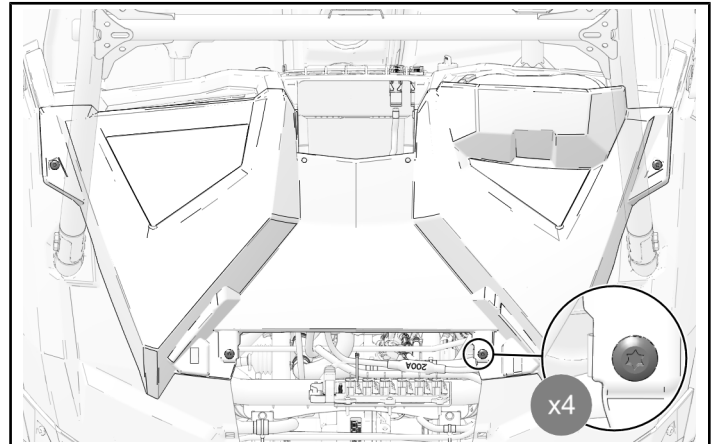


2. Tilt storage compartment rearward to remove from dashboard.

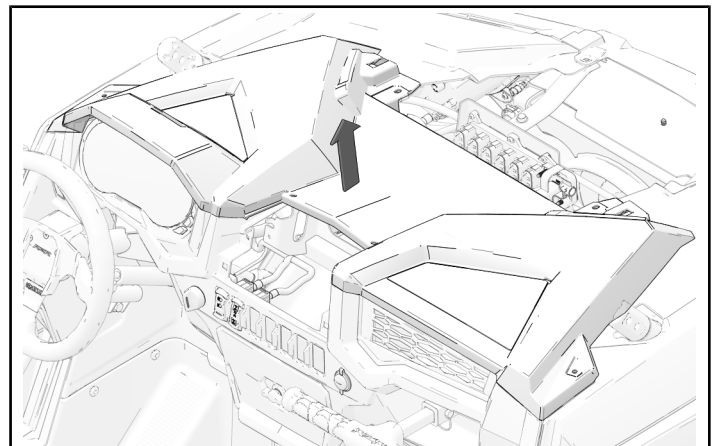


DASHBOARD TOP REMOVAL

1. Remove four dashboard fasteners.



2. Lift dashboard upwards to remove from vehicle.

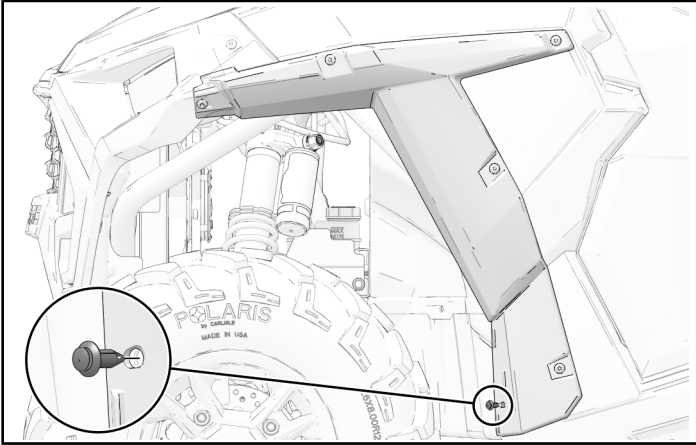


FRONT FENDER REMOVAL

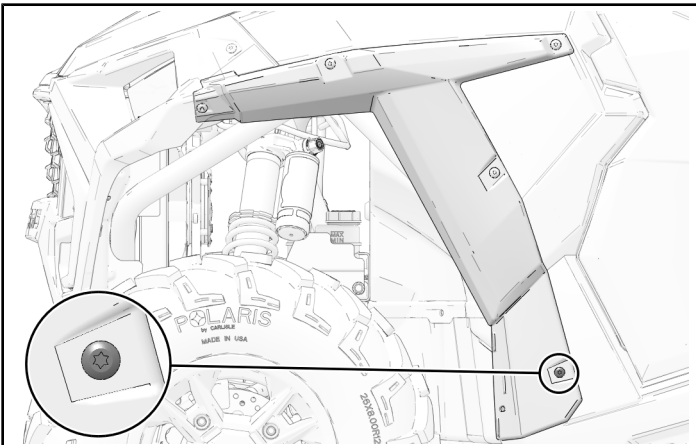
NOTICE

Driver-side fender shown; passenger-side fender similar.

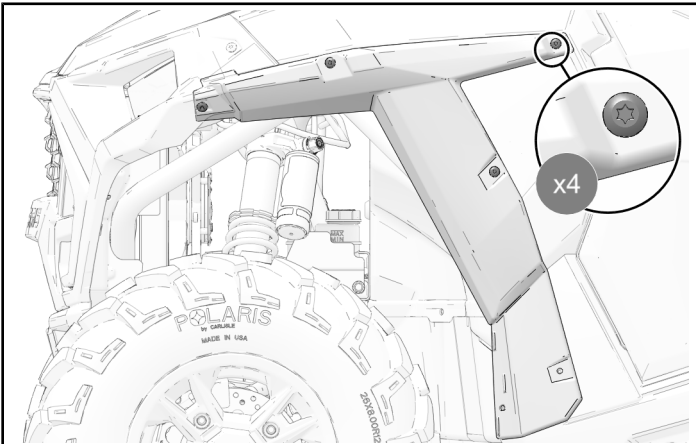
1. Remove one push-pin rivet.



2. Remove one lower fastener (longer).



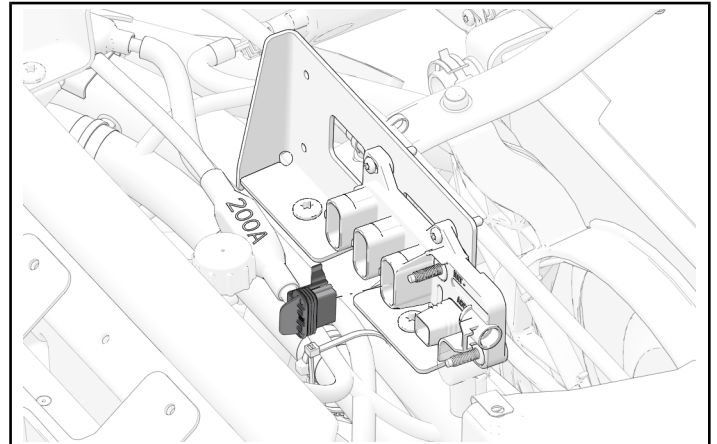
3. Remove four fasteners (shorter) from fender to remove fender from vehicle.



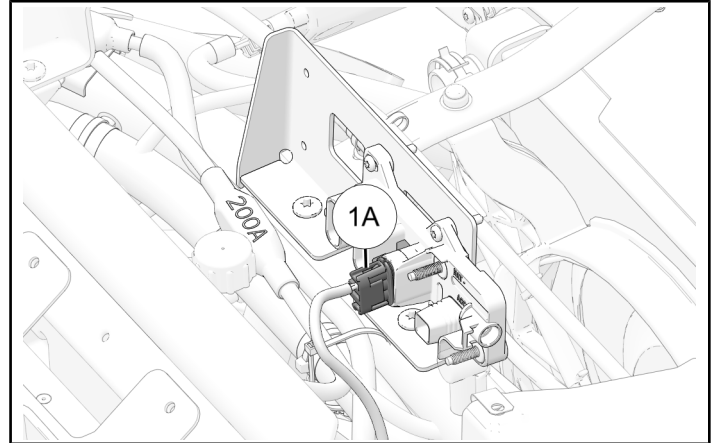
ACCESSORY INSTALLATION

PMX AUDIO HARNESS ① ROUTING

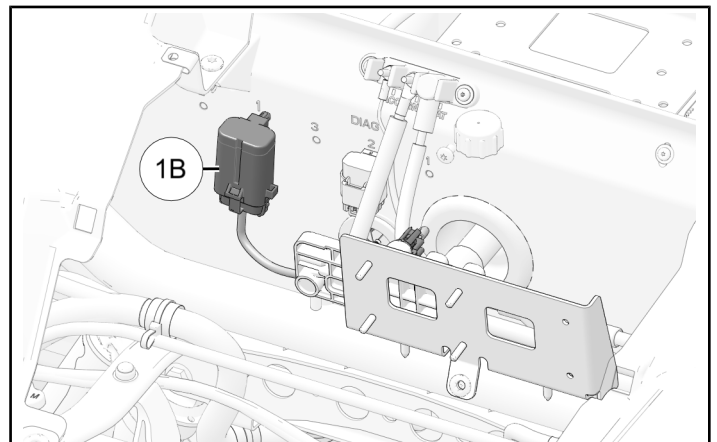
1. Remove plug from Polaris® Pulse bar.



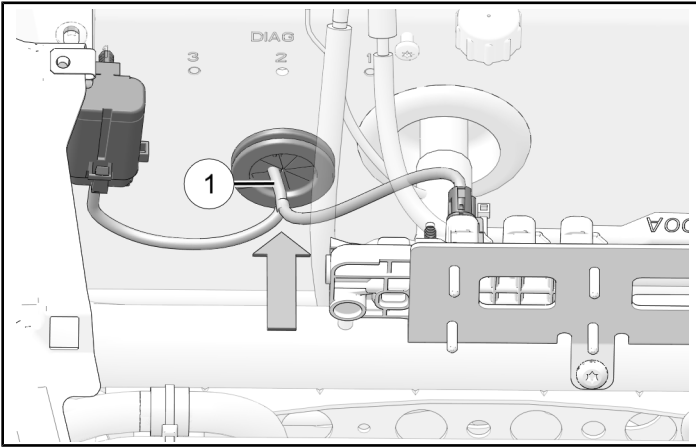
2. Join Pulse power connector 1A to Polaris® Pulse bar.



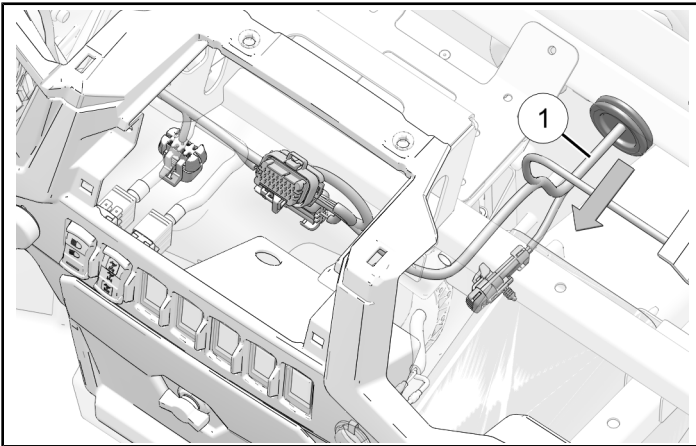
3. Install fuse relay 1B to firewall.



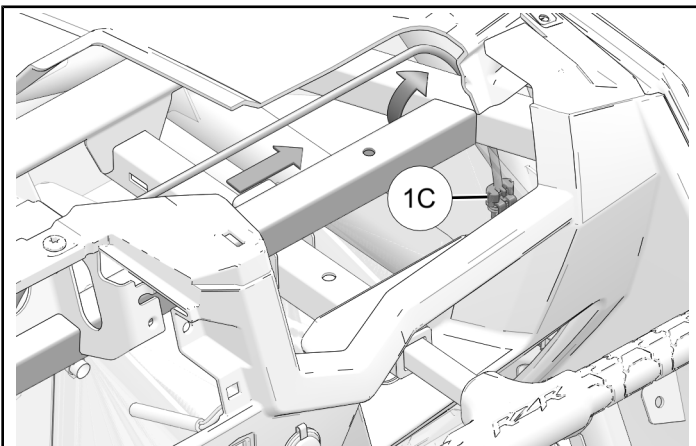
4. Put remaining connectors through firewall grommet into dashboard compartment.



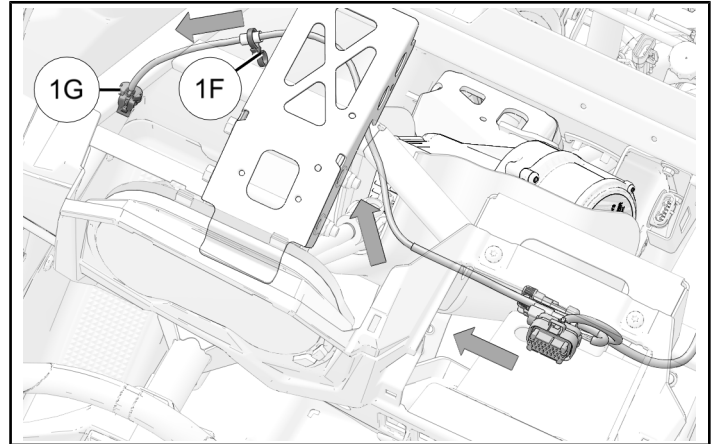
5. Gently pull remaining connectors through firewall grommet into dashboard compartment.



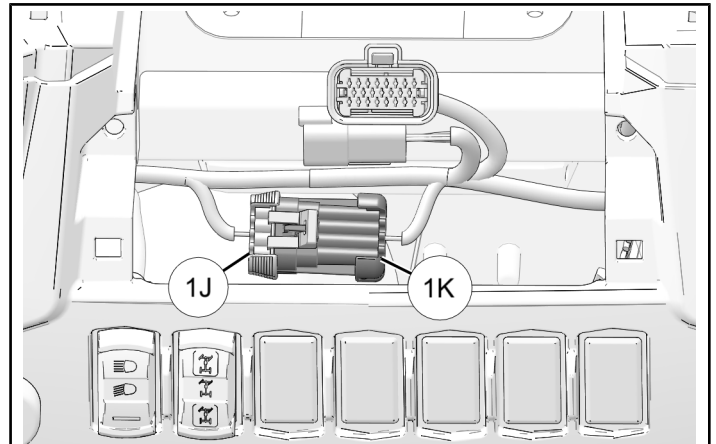
6. Move right-hand speaker connector 1C over chassis and into passenger foot compartment. Attach harness with cable ties ⑮, as needed.



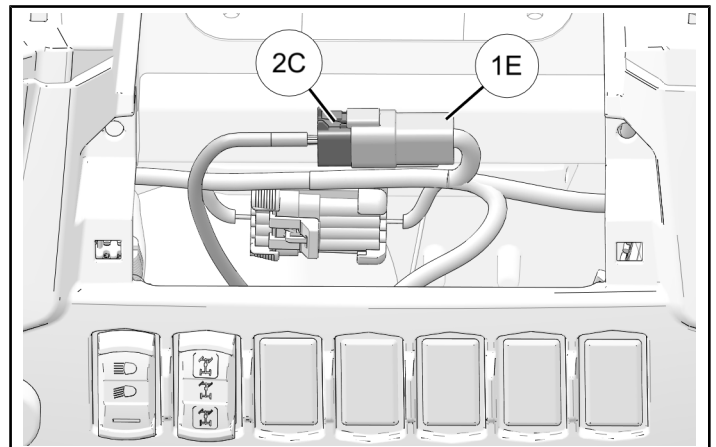
7. Move left-hand speaker connector 1G under steering bracket and into driver foot compartment. Secure harness to chassis electrical harness with cable tie 1F.



8. Connect amp output connector 1J to rear speaker connector 1K.

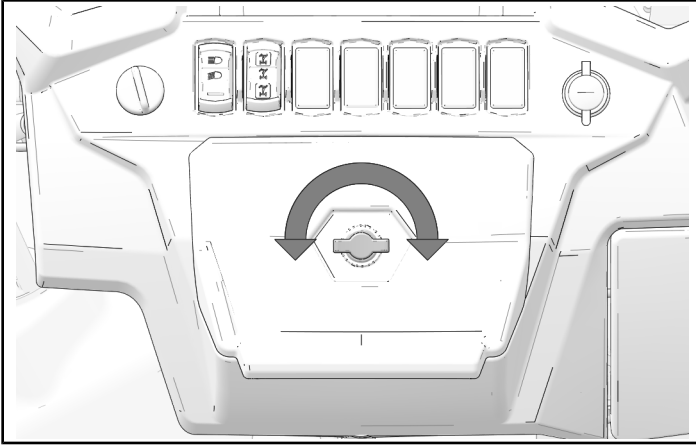


9. Join USB connector 2C to audio harness USB connector 1E.

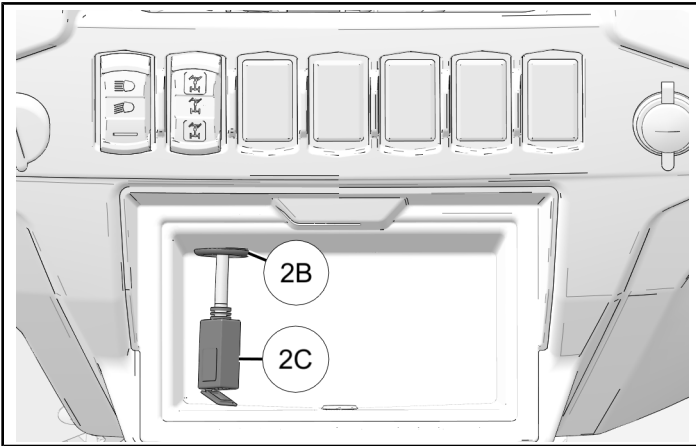


USB HARNESS ② ROUTING

1. Turn latch to unlock storage compartment



2. Put USB input connector 2C into storage compartment. Seal storage compartment hole with grommet 2B.



3. Close storage compartment.

SPEAKER INSTALLATION

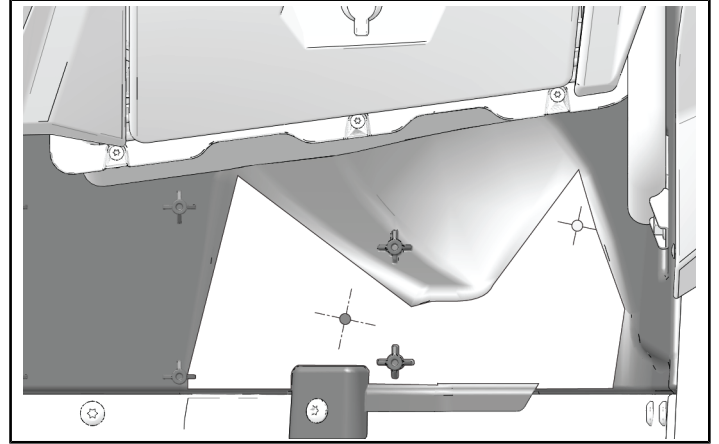
This section references installation templates found in Front Speaker Templates, P/N 9931497. Measure reference measurements to verify templates are to scale. Cut-out templates along perimeter for use in below procedures.

RIGHT-HAND SPEAKER

1. Apply template "Inside RH-1" with tape to passenger foot compartment panel. Drill two marked holes with **15/64 in (6 mm)** drill bit.

IMPORTANT

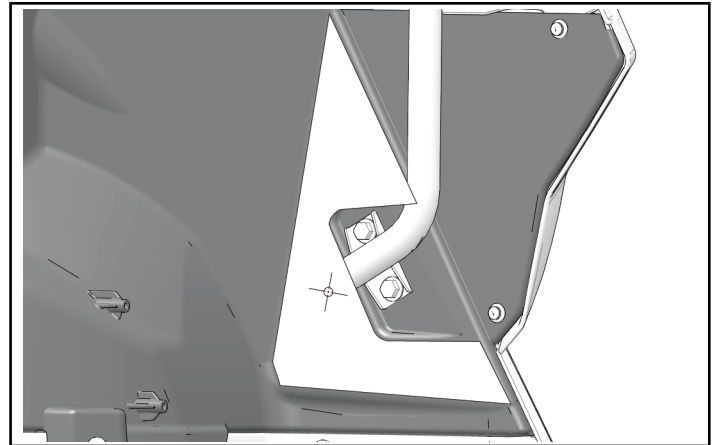
Control tool depth. Ensure tool is clear of all other parts and components to prevent damage to vehicle.



2. Apply template "Inside RH-2" with tape to passenger foot compartment panel. Drill one marked hole with **15/64 in (6 mm)** drill bit.

IMPORTANT

Control tool depth. Ensure tool is clear of all other parts and components to prevent damage to vehicle.

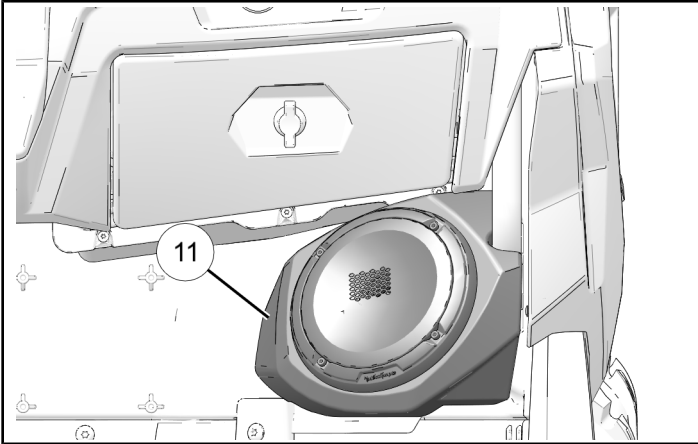


3. Remove templates.

4. Join speaker connector to audio harness connector 1C. Move speaker ⑪ into installed position and align with drilled holes.

IMPORTANT

Make sure harnesses are not pinched between speaker and body panel when speaker is installed.



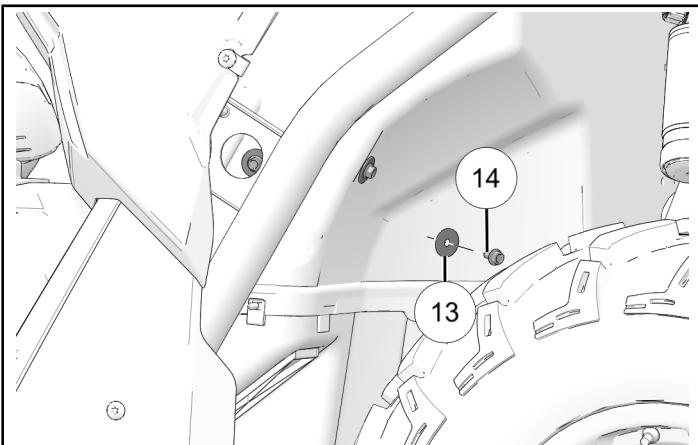
5. Install speaker with three fasteners ⑭ and three washers ⑬.

IMPORTANT

Use caution to not over torque fasteners in speaker assembly.

TORQUE

Speaker Fasteners ⑭:
26 in-lbs (3 N·m)

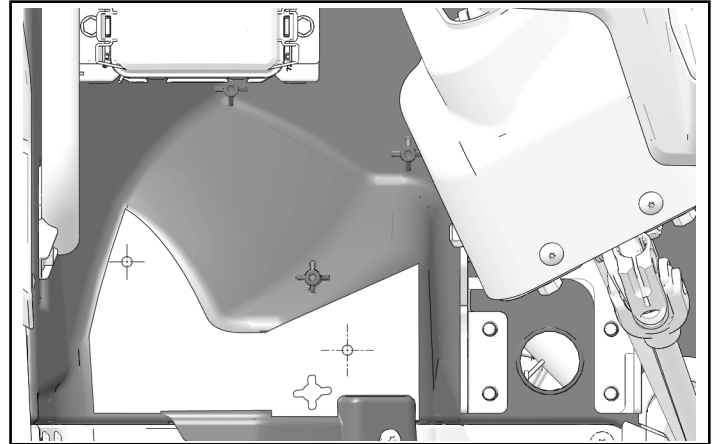


LEFT-HAND SPEAKER

1. Apply template "Inside LH-1" with tape to driver foot compartment panel. Drill two marked holes with **15/64 in (6 mm)** drill bit.

IMPORTANT

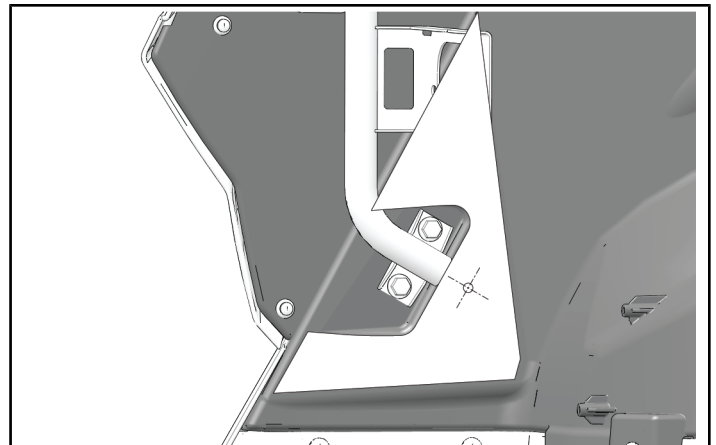
Control tool depth. Ensure tool is clear of all other parts and components to prevent damage to vehicle.



2. Apply template "Inside LH-2" with tape to driver foot compartment panel. Drill one marked hole with **15/64 in (6 mm)** drill bit.

IMPORTANT

Control tool depth. Ensure tool is clear of all other parts and components to prevent damage to vehicle.

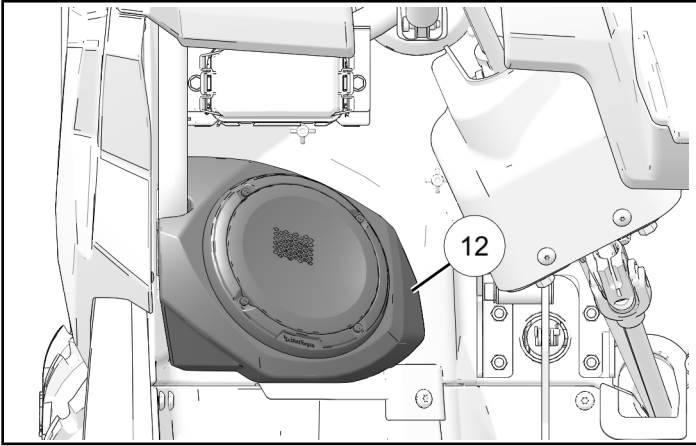


3. Remove templates.

- Join speaker connector to audio harness connector 1G. Move speaker into installed position and align with drilled holes.

IMPORTANT

Make sure harnesses are not pinched between speaker and body panel when speaker is installed.



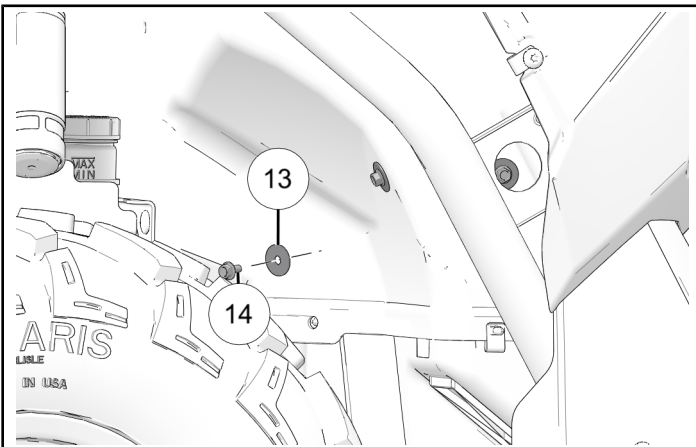
- Install speaker with three fasteners (14) and three washers (13).

IMPORTANT

Use caution to not over torque fasteners in speaker assembly.

TORQUE

Speaker Fasteners (14):
26 in-lbs (3 N·m)

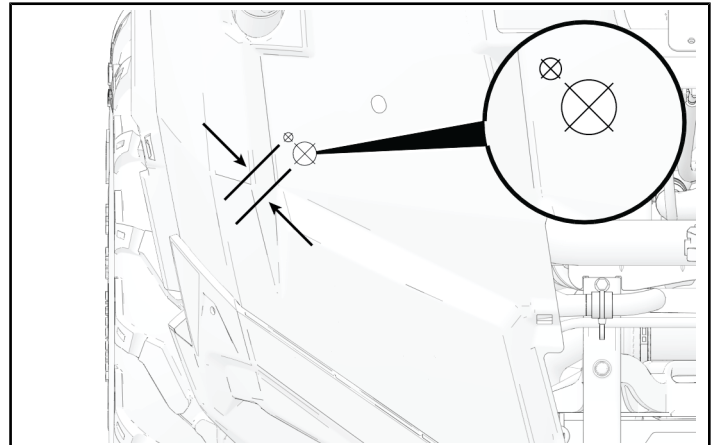


ANTENNA INSTALLATION

- Mark two holes on top of hood for alignment pin and antenna mounting post. Make sure distance between center of each holes is **9/16 in (15 mm)**, as shown in graphic below.

NOTICE

Exact location is not critical. Make sure location allows ground strap (10) to span distance of antenna base to chassis group location. Make sure location allows for antenna mast tilt functionality.



- Drill at each marked location. Make sure distance between center of each holes is **9/16 in (15 mm)**.

IMPORTANT

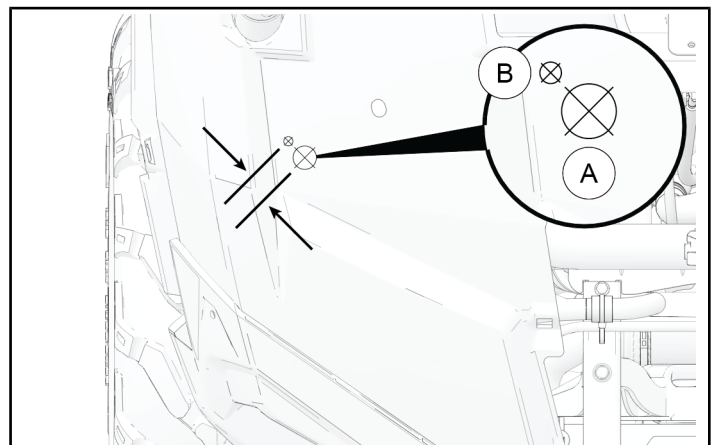
Control tool depth. Ensure tool is clear of all other parts and components to prevent damage to vehicle.

MEASUREMENT

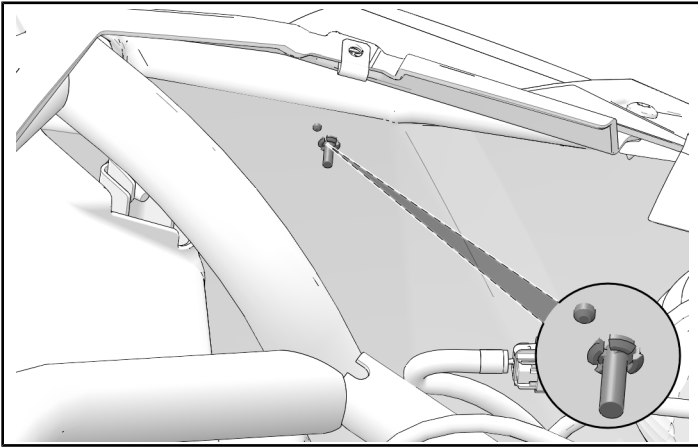
Antenna Mounting Post hole (A):
1/2 in (12 mm)

MEASUREMENT

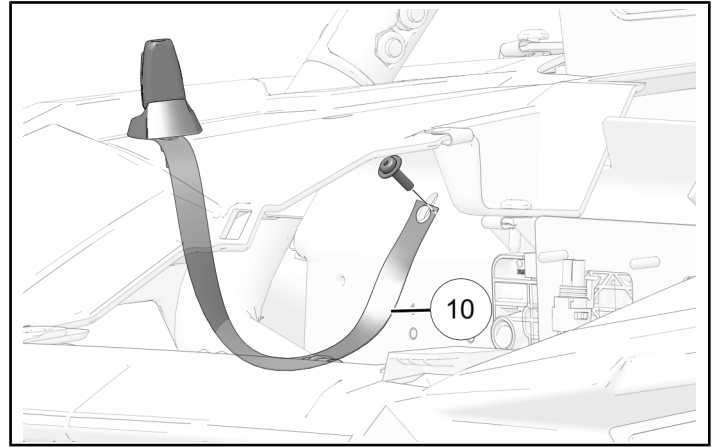
Alignment Pin hole (B):
3/16 in (5 mm)



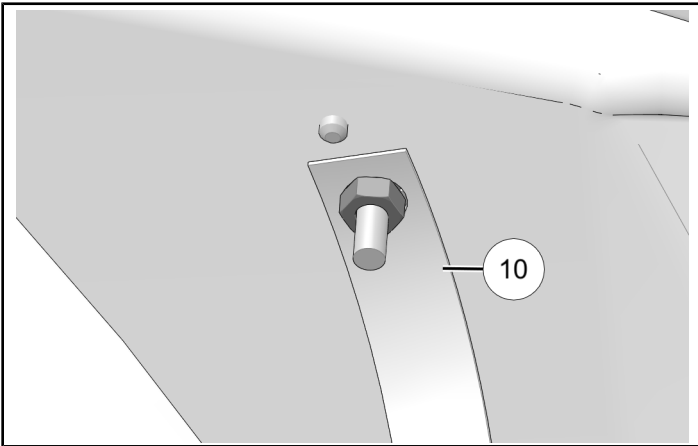
3. Put antenna mount in hood. Antenna mount will snap into place when fully seated.



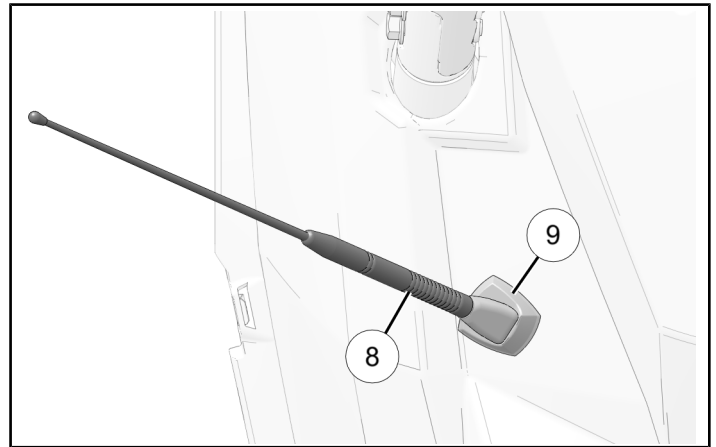
6. Install opposite end of ground strap ⑩ with fastener removed in previous step.



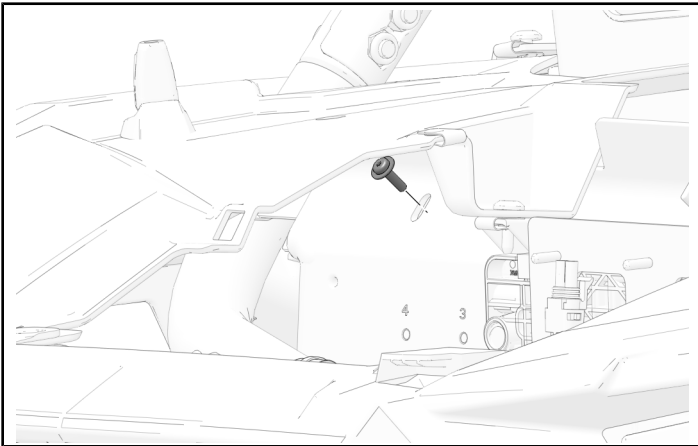
4. Put ground strap ⑩ over mounting post and install with nut removed from mounting post.



7. Screw antenna mast ⑧ onto antenna mount ⑨.

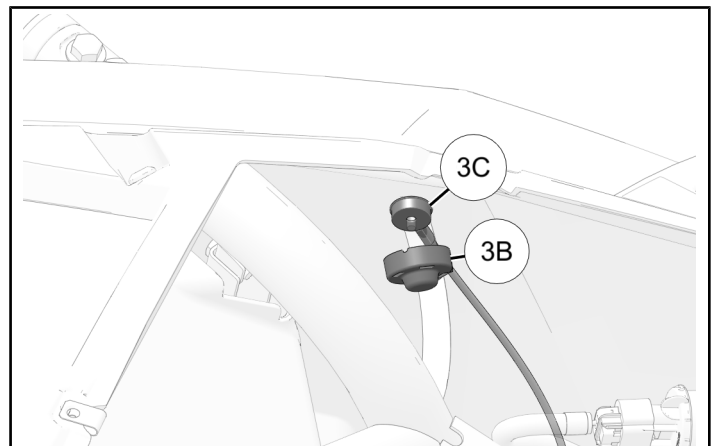


5. Remove fastener from chassis.

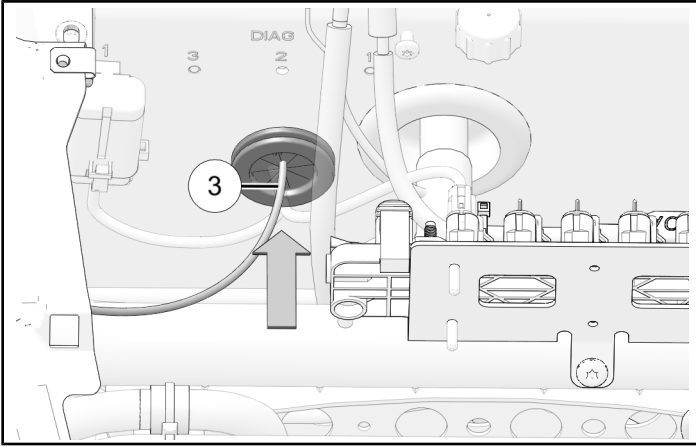


AM/FM ANTENNA HARNESS ③ ROUTING

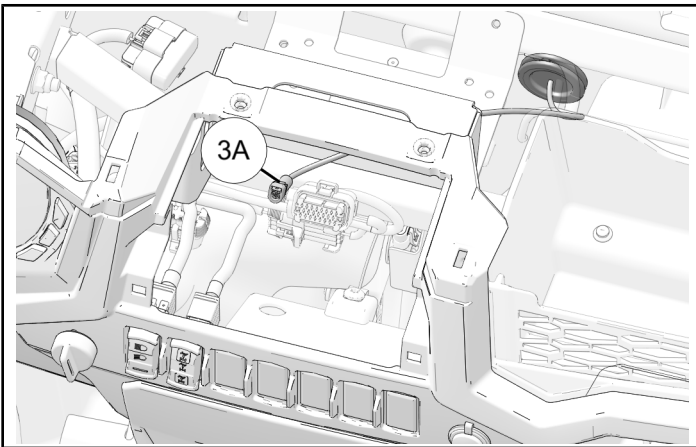
1. Install ring connector 3C on top of nut. Install antenna connection boot 3B over ring connector.



- Put antenna harness ③ through grommet in firewall. Attach harness to chassis with cable ties ⑤, as needed.

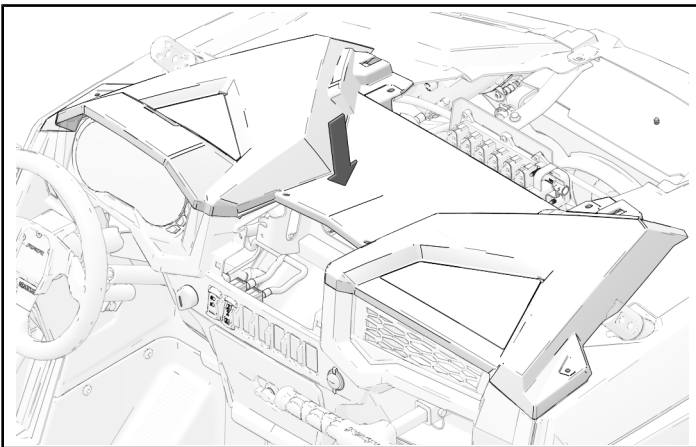


- Gently pull connector 3A through grommet in firewall and towards opening in dashboard.



DASHBOARD TOP INSTALLATION

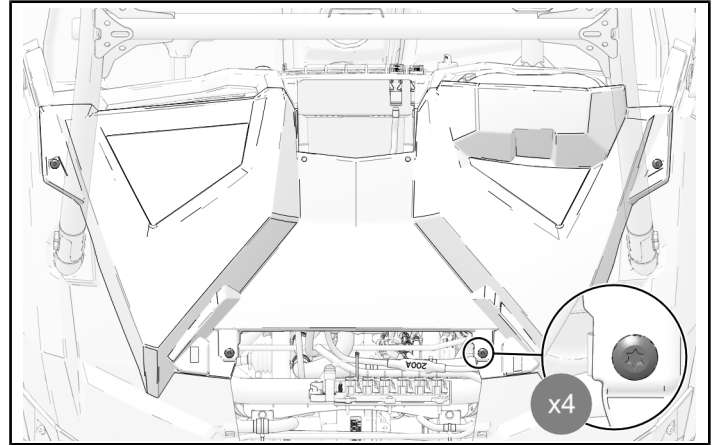
- Install dashboard on top of front dashboard panel. Make sure top dashboard clips engage with front dashboard.



- Install dashboard with four dashboard fasteners.

TORQUE

Dashboard Fasteners:
8 ft-lbs (11 N·m)

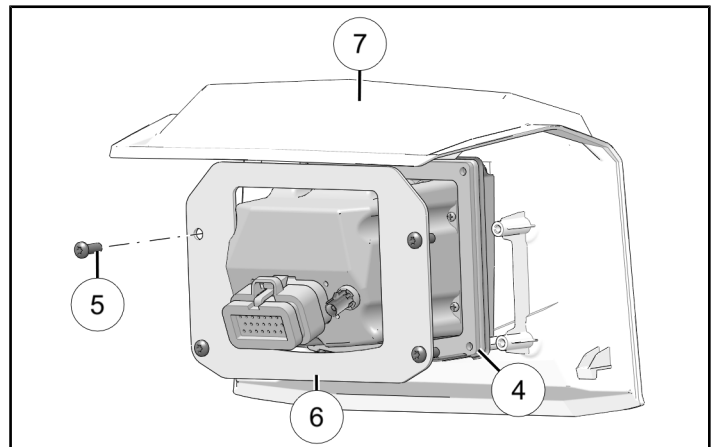


PMX HEAD UNIT INSTALLATION

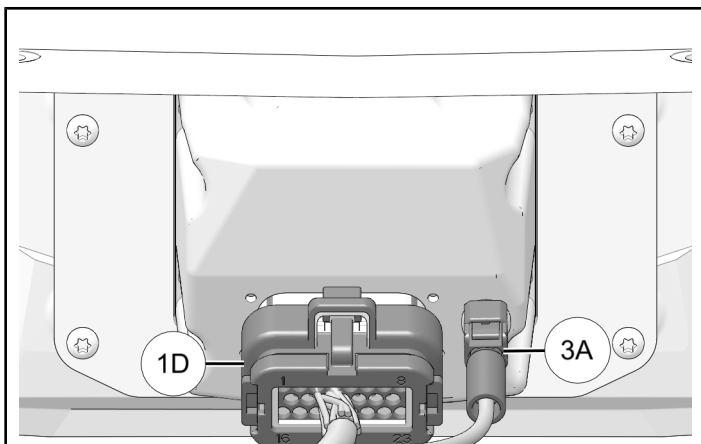
- Install PMX head unit ④ to dashboard mount ⑦ with bracket ⑥ and four fasteners ⑤.

IMPORTANT

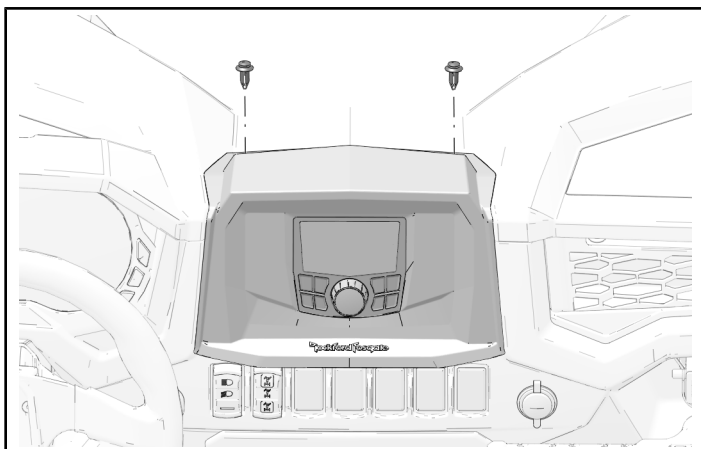
Use caution to not over torque fasteners in dashboard mount.



2. Move PMX head unit assembly near dashboard and connect audio harness connector 1D and antenna harness connector 3A to back of head unit.



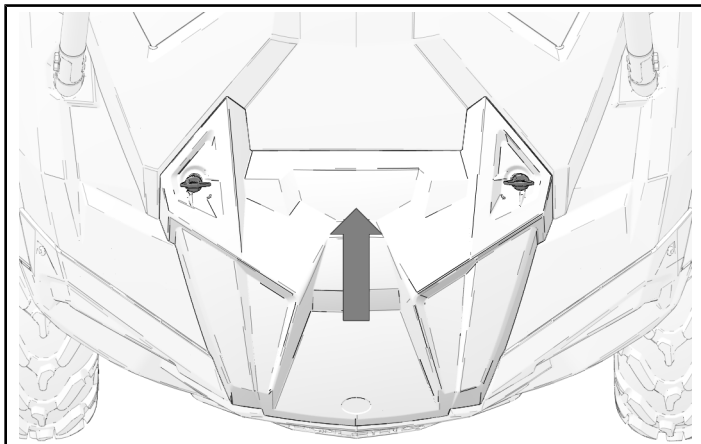
3. Put head unit assembly in dashboard and install to dashboard with two push-pin rivets, kept from dashboard storage removal.



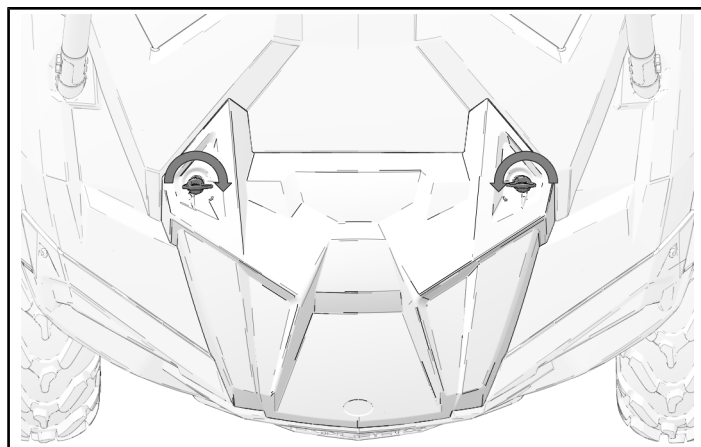
VEHICLE REASSEMBLY

CENTER HOOD PANEL INSTALLATION

1. Move hood rearward.



2. Turn quarter-turn fasteners to lock hood to vehicle.



FRONT FENDER INSTALLATION

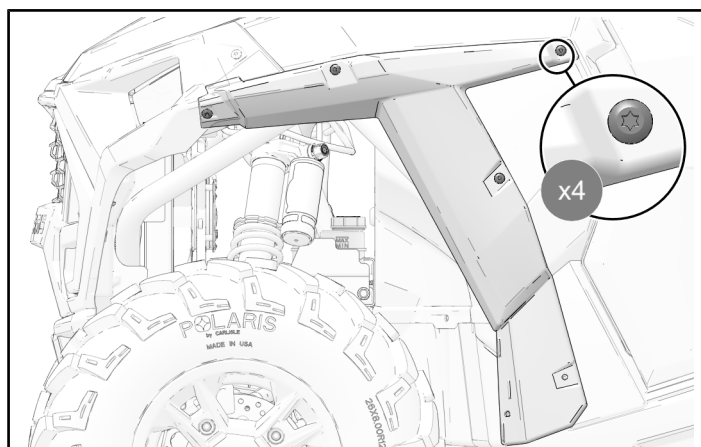
NOTICE

Driver-side fender shown; passenger-side fender similar.

1. Install front fender with four fasteners (shorter).

TORQUE

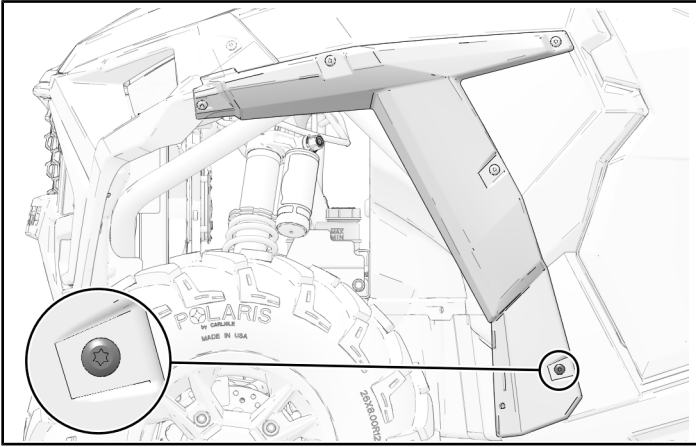
Fender Fasteners:
8 ft-lbs (11 N·m)



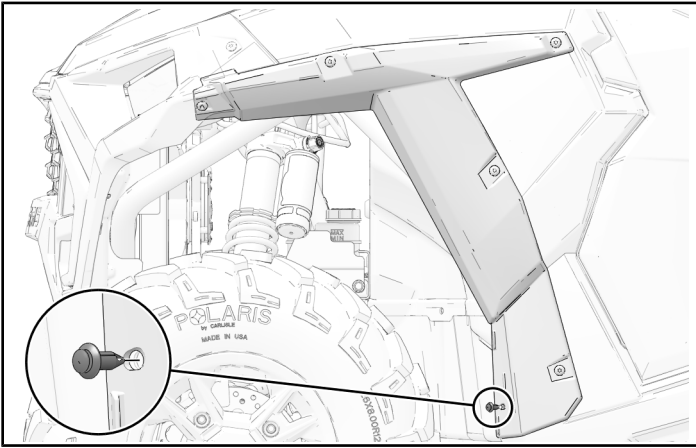
2. Install front fender with one fastener (longer).

TORQUE

Fender Fastener:
17 in-lbs (2 N·m)



3. Install front fender with one push-pin rivet.



INSTRUCTION FEEDBACK FORM

A feedback form has been created for the installer to provide any comments, questions or concerns about the installation instructions. The form is viewable on mobile devices by scanning the QR code or by clicking [HERE](#) if viewing on a PC.

