

HEATED DRIVER SEAT KIT



P/N 2884937

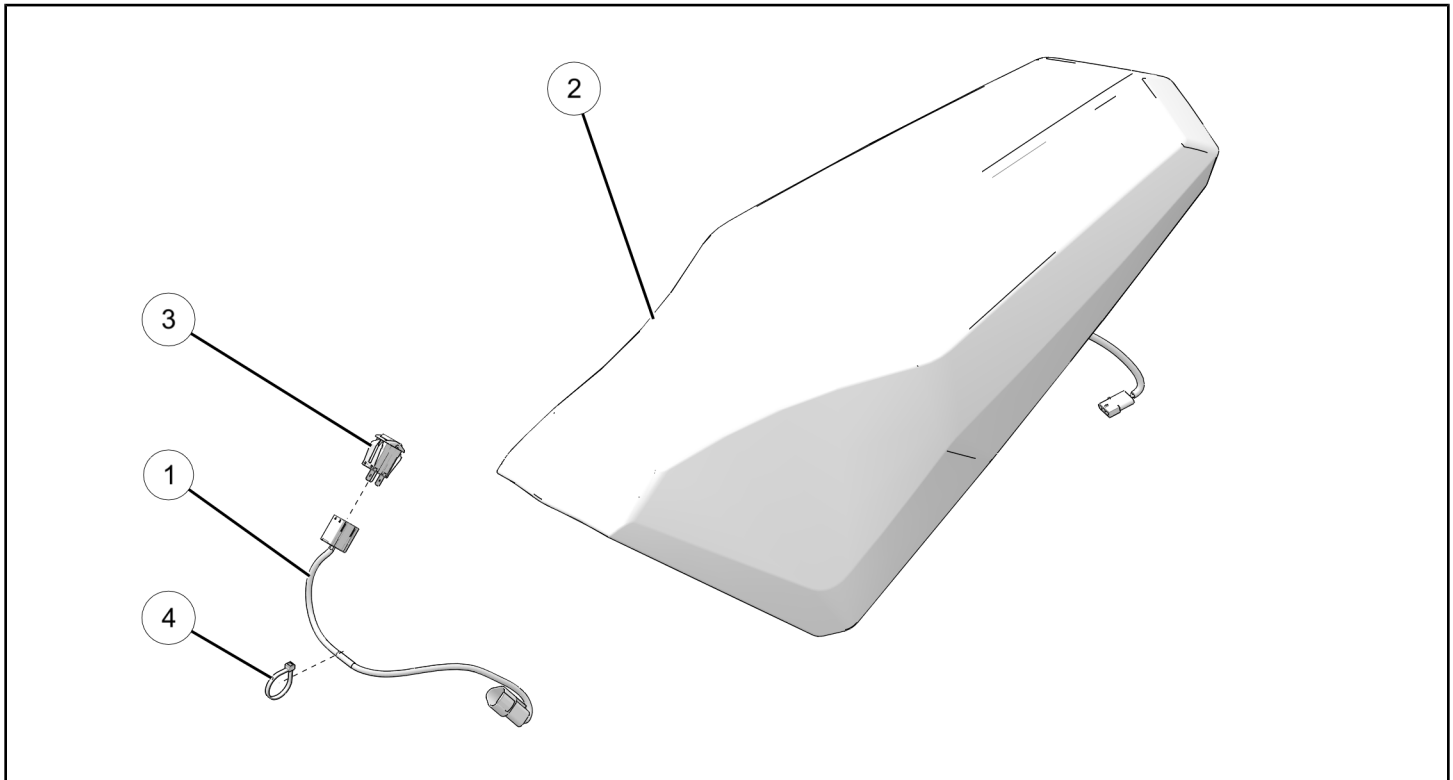
APPLICATION

Verify accessory fitment at www.polaris.com.

BEFORE YOU BEGIN

Read these instructions and check to be sure all parts and tools are accounted for. Please retain these installation instructions for future reference and parts ordering information.

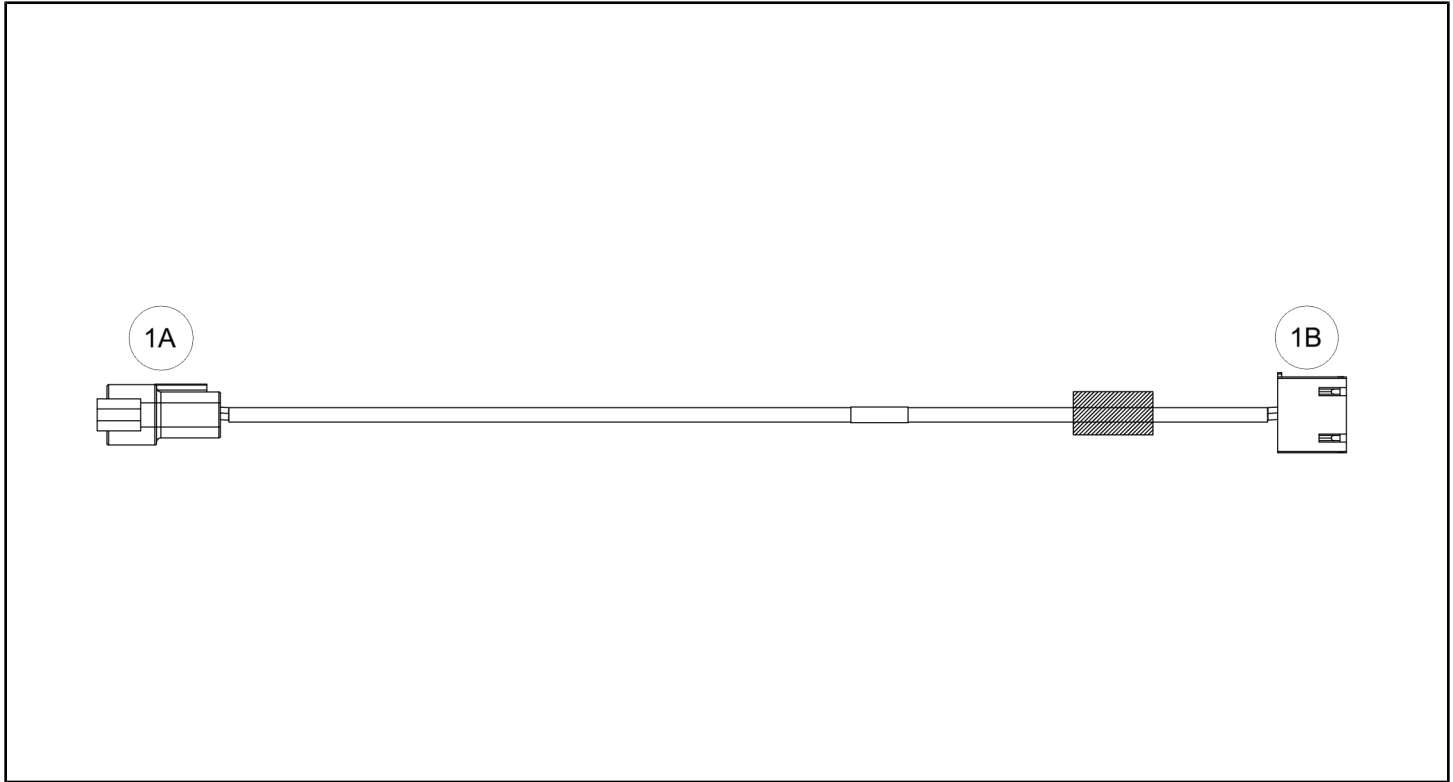
KIT CONTENTS



REF	QTY	PART DESCRIPTION	P/N AVAILABLE SEPARATELY
1	1	Heated Seat Jumper Harness	2415790
2	1	Heated Seat	2690238
3	1	Heated Seat Switch	4017351
4	1	Cable Tie	7080138

HARNESS DETAIL

HEATED SEAT JUMPER HARNESS



REF	PART DESCRIPTION	PIN QTY/ GENDER	CONNECTS TO
1A	Main Harness Connector	3/Female	Main Harness
1B	Heated Seat Switch Connector	4/Female	Heated Seat Switch

TOOLS REQUIRED

- Safety Glasses
- Adjustable Pliers
- Cutting Tool
- Deburring Tool
- Drill
- Drill Bit:
 - 5/32 in (4 mm)
- Pliers, Push Pin Rivet
- Socket Set, Torx® Bit
- Torque Wrench

IMPORTANT

Your Heated Driver Seat Kit is exclusively designed for your vehicle. Please read the installation instructions thoroughly before beginning. Installation is easier if the vehicle is clean and free of debris. For your safety, and to ensure a satisfactory installation, perform all installation steps correctly in the sequence shown.

INSTALLATION INSTRUCTIONS

VEHICLE PREPARATION

GENERAL

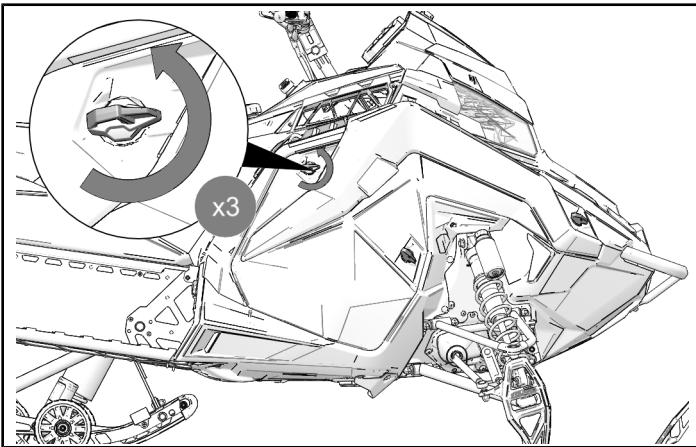
1. Park vehicle on a flat surface.
2. Push engine stop switch to OFF position.
3. Turn key to OFF position and remove key.

REMOVE SIDE PANELS

1. Twist three quarter-turn fasteners toward rear of snowmobile. Remove side panel.

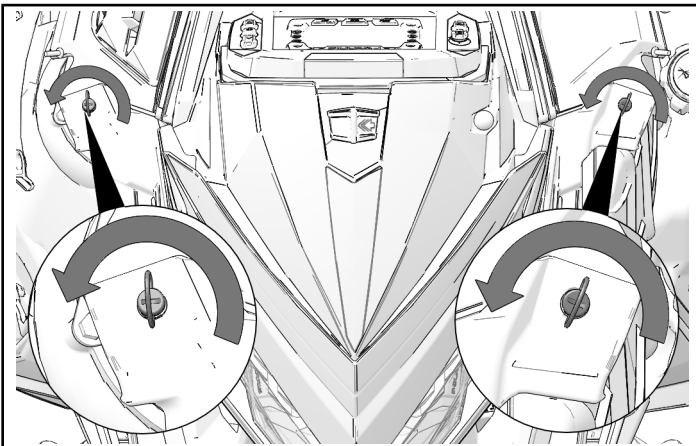
NOTICE

Right side panel shown, left side similar.

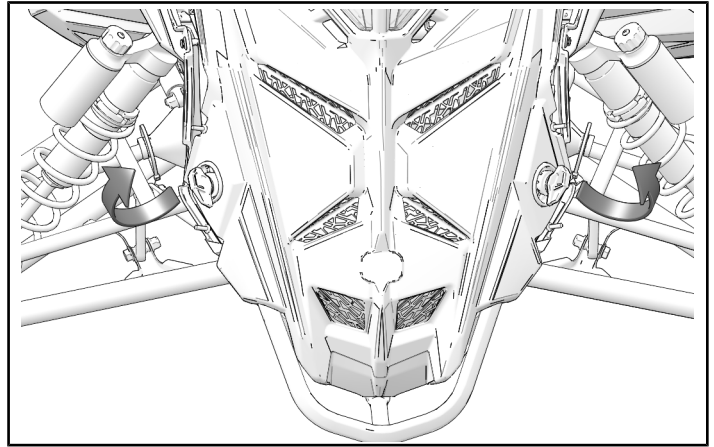


REMOVE HOOD

1. Turn hood fasteners counter-clockwise to release hood.



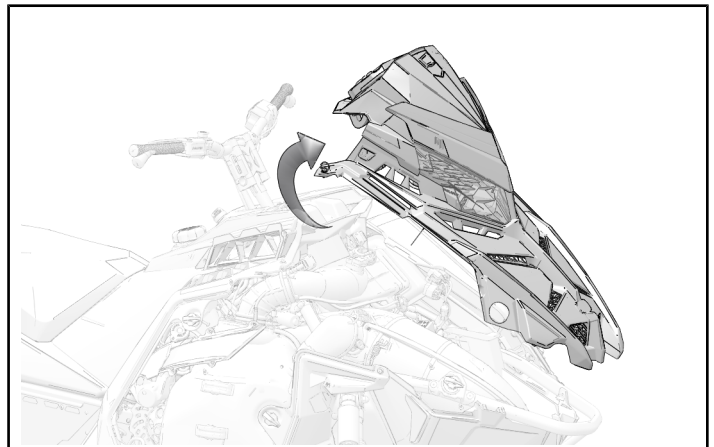
2. Pull sides of hood out away from side panel fasteners.



3. Lift hood up and away from snowmobile.

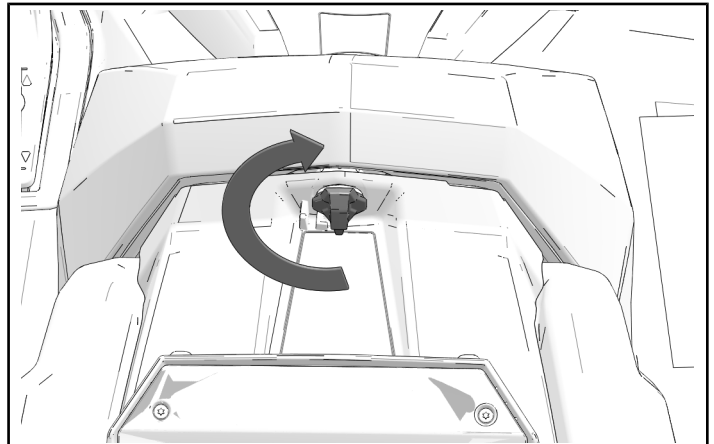
NOTICE

Disconnect wiring when removing hood.

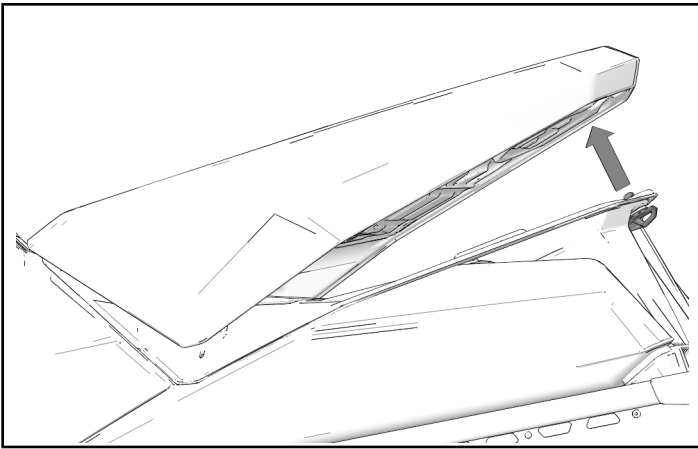


SEAT REMOVAL

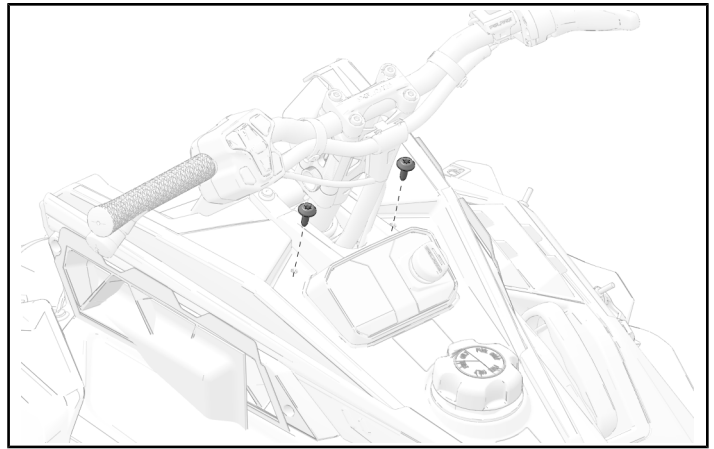
1. Turn latch clockwise to unlock seat.



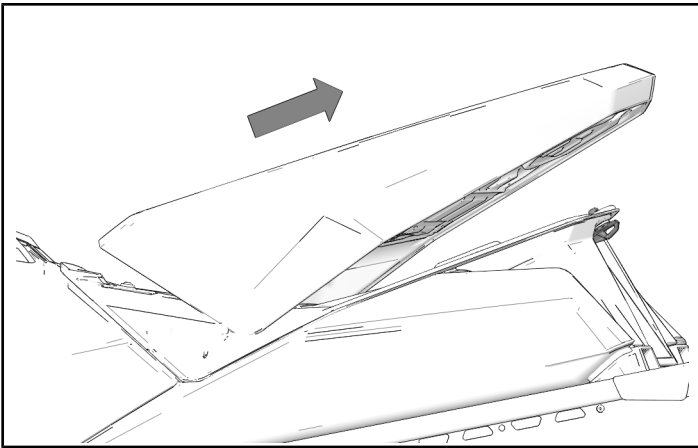
2. Lift up rear of seat.



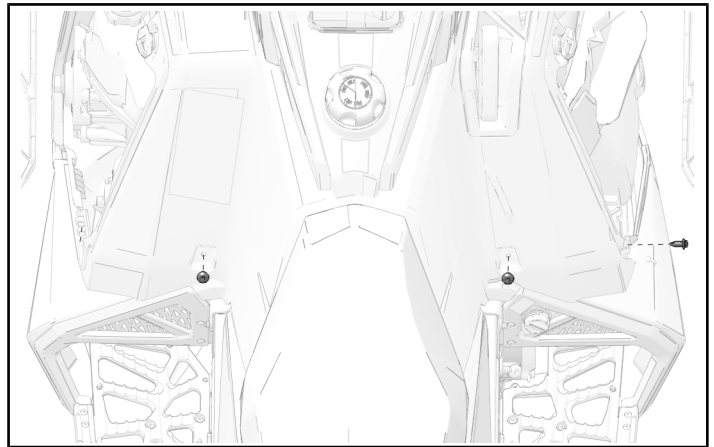
2. Remove and keep two screws.



3. Move seat back to remove from snowmobile.

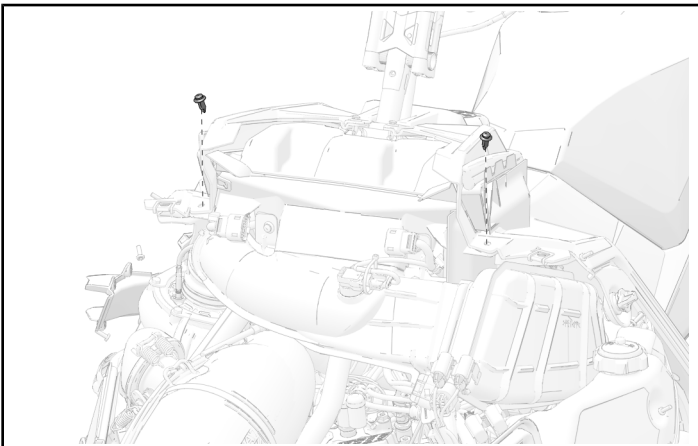


3. Remove and keep two screws and one push pin rivet.

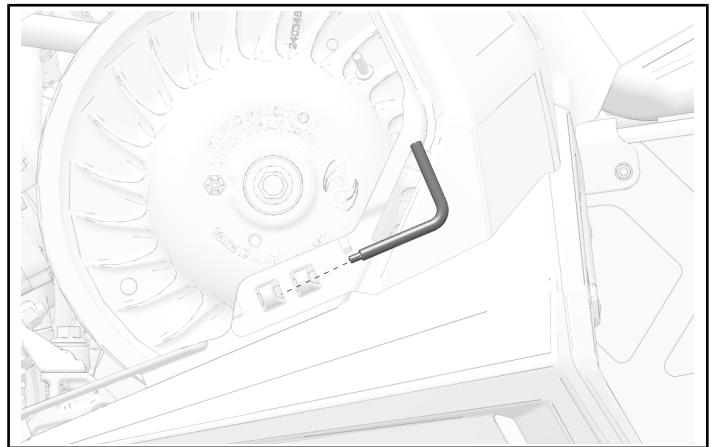


REMOVE COWL

1. Remove and keep two push pin rivets.



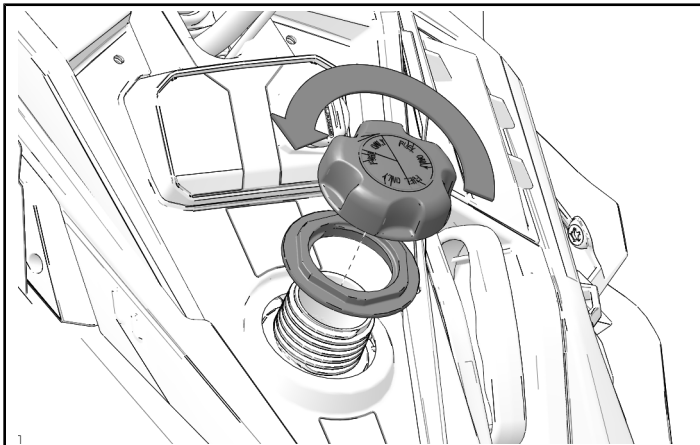
4. Remove and keep secondary clutch tool.



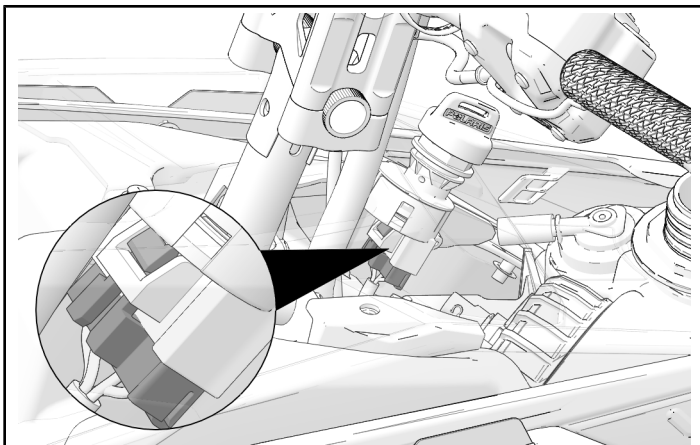
5. Remove fuel cap and fuel tank retainer nut.

TIP

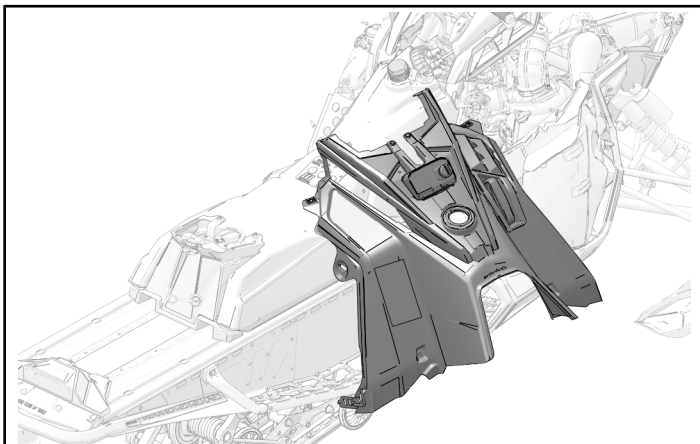
Use a large adjustable pliers to remove fuel tank retainer nut.



6. Lift cowl slightly and disconnect ignition switch. Disconnect other switches if equipped.



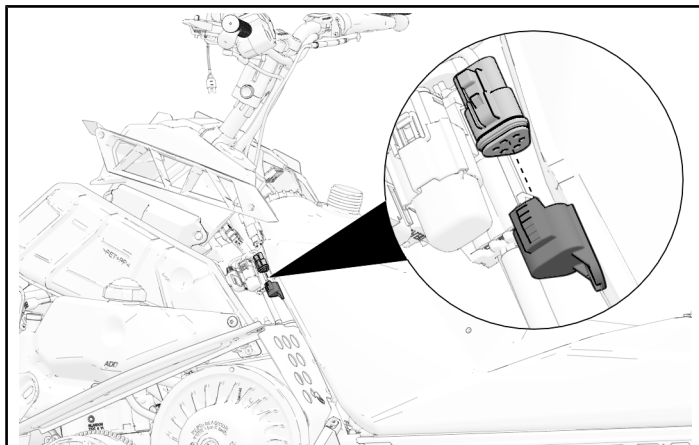
7. Remove two clips and disconnect switch panel from cowl. Move switch panel away from cowl. Lift cowl away from snowmobile and set to right side. Leave starter pull handle attached.



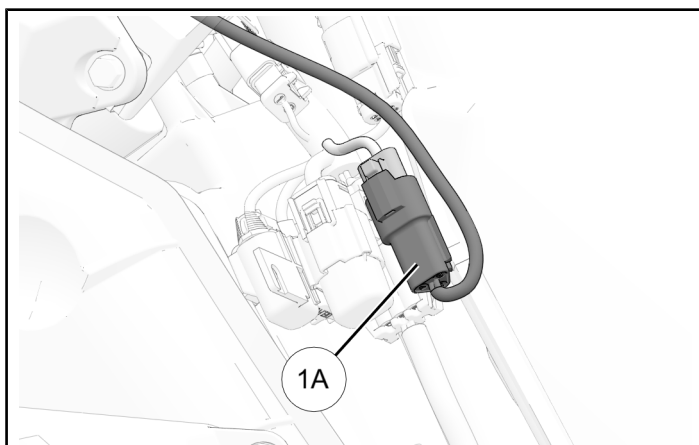
ACCESSORY INSTALLATION

TWO-STROKE INSTALLATION

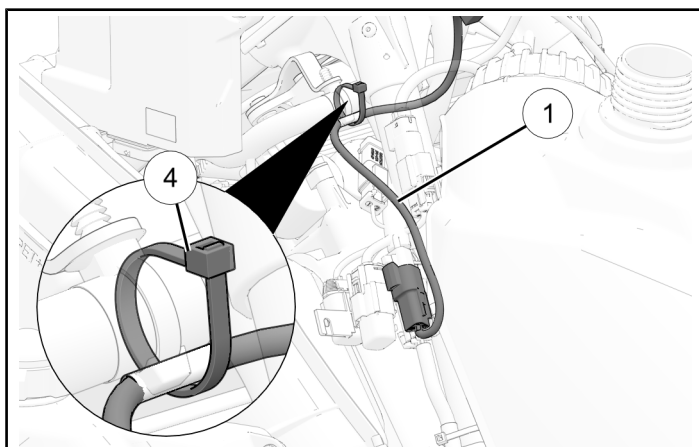
1. Remove the cap from the driver seat heater switch.



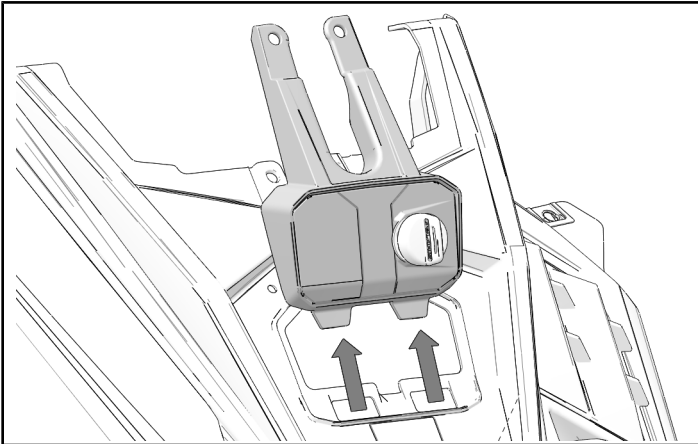
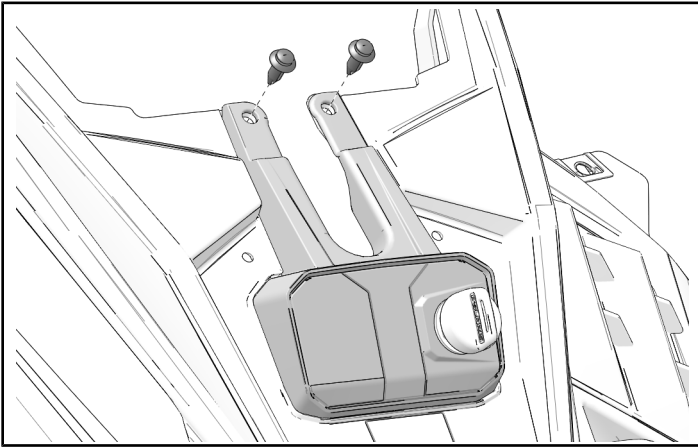
2. Connect the main harness connector **1A** of the heated seat jumper harness to the driver seat heater switch connector of the main harness.



3. Route the heated seat jumper harness ① upward and align the retention location tape of the jumper harness with the retention location of the main harness. Secure the heated seat jumper harness to the main harness with the provided cable tie ④.



4. Remove bezel from console.



5. Locate the switch witness mark on the back side of the bezel. Using a drill and 5/32 in drill bit, drill around the witness mark.

TIP

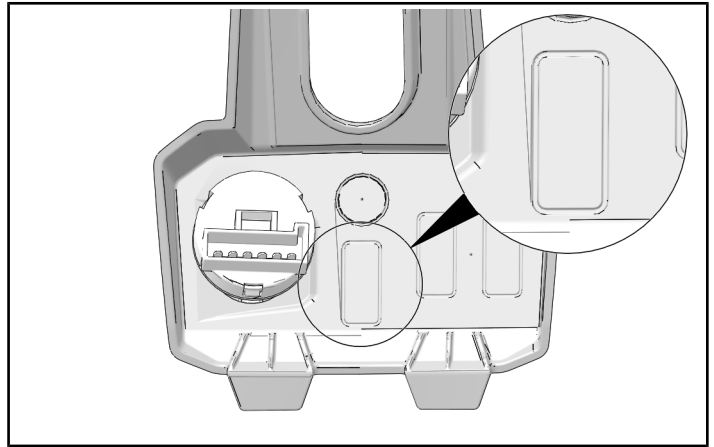
Switch panel can be removed from cowl to aid installation.

IMPORTANT

Control tool depth. Make sure tool is clear of all other parts and components to prevent damage to vehicle.

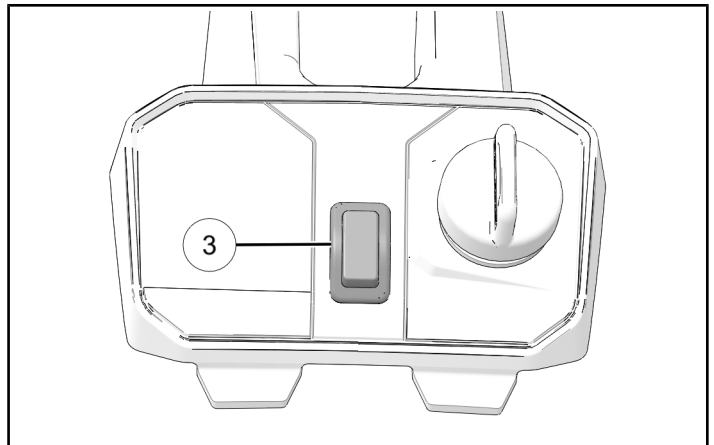
MEASUREMENT

Drill Bit Size: 5/32 in (4 mm)

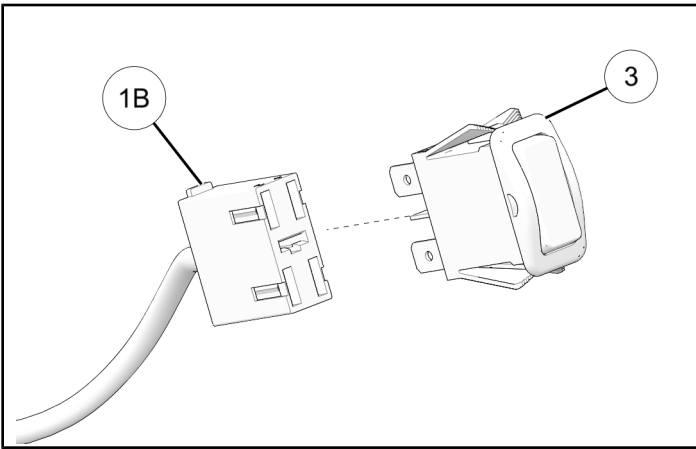


6. Remove remaining plastic with a suitable tool.

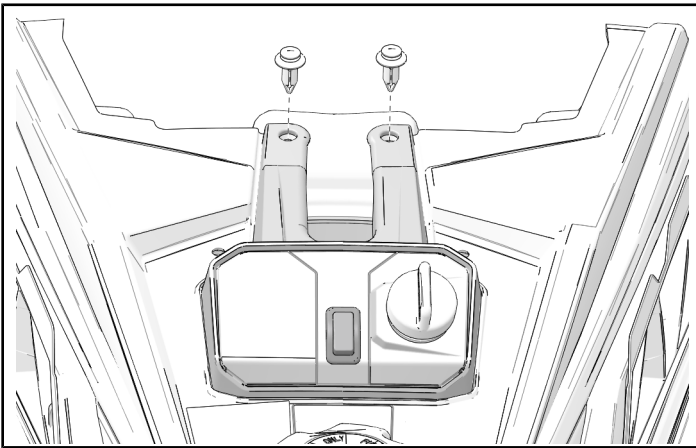
7. Use a deburring tool to clean up the edges until the heated seat switch ③ fits firmly into the hole.



8. Connect **1B** to switch **③**.

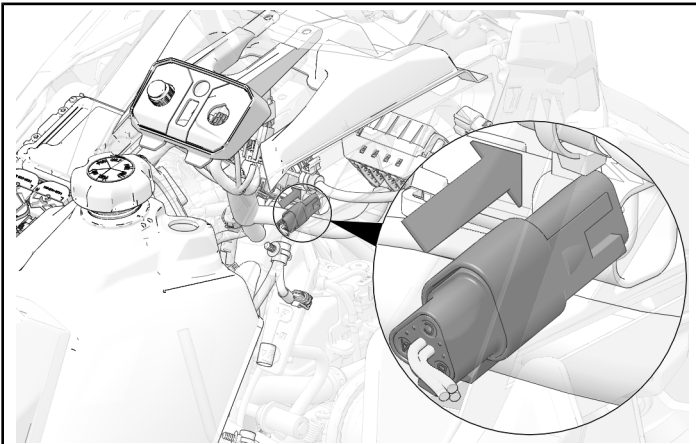


9. Install bezel on console using two push pin rivets.

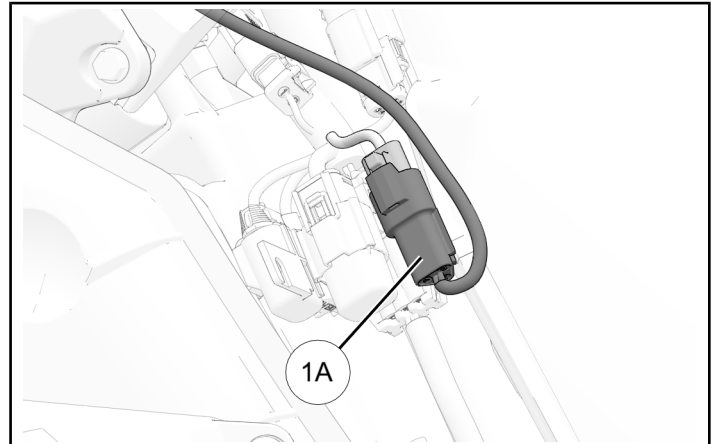


FOUR-STROKE INSTALLATION

1. Remove the cap from the driver seat heater switch.

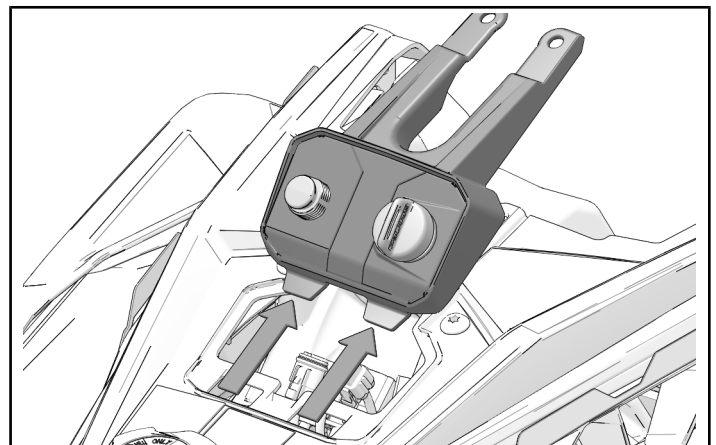
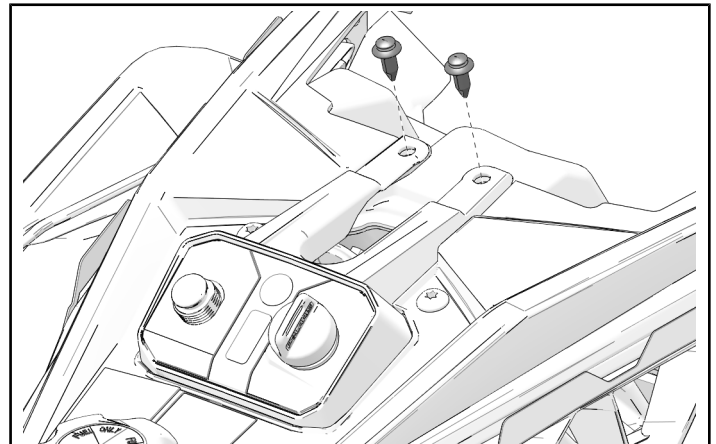


2. Connect the main harness connector **1A** of the heated seat jumper harness to the driver seat heater switch connector of the main harness. Attach wiring to chassis with cable tie.



3. Route the heated seat jumper harness **①** upward and align the retention location tape of the jumper harness with the retention location of the main harness. Secure the heated seat jumper harness to the main harness with the provided cable tie **④**.

4. Remove bezel from console.



5. Locate witness mark at center of console switch area. Using a drill and 5/32 in drill bit, drill around the witness mark.

TIP

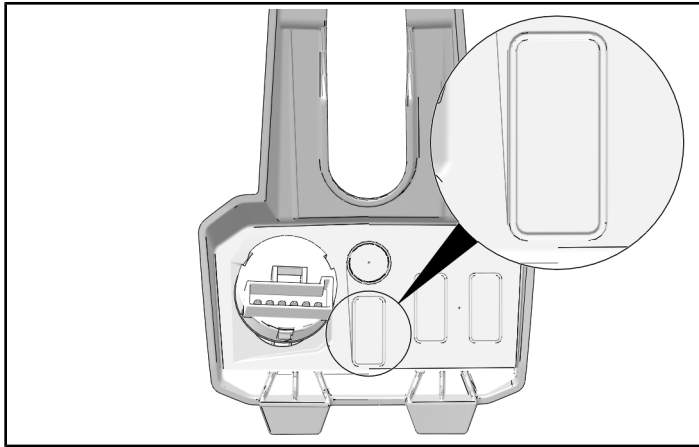
Switch panel can be removed from cowl to aid installation.

IMPORTANT

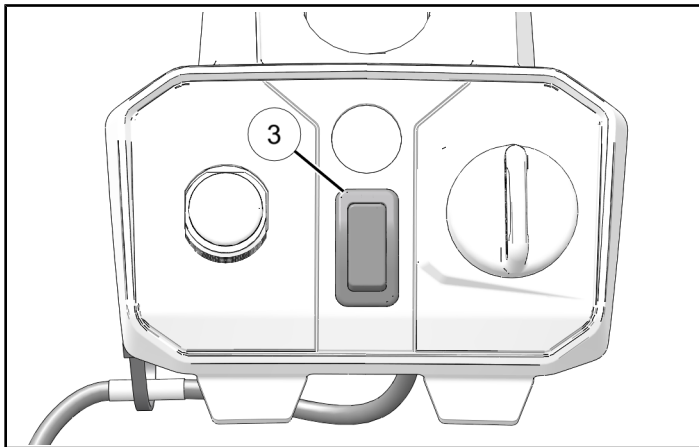
Control tool depth. Make sure tool is clear of all other parts and components to prevent damage to vehicle.

MEASUREMENT

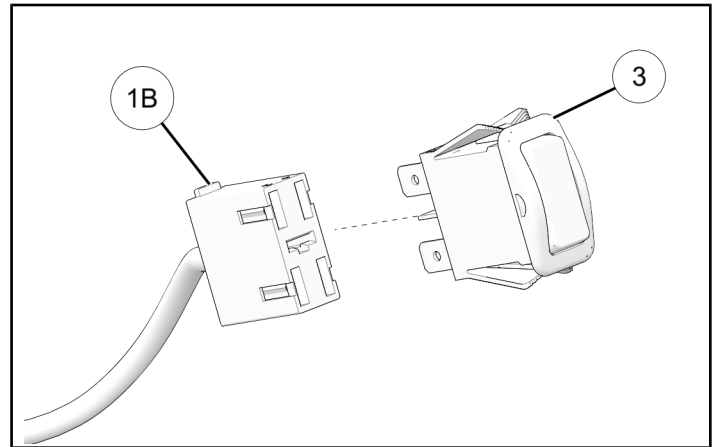
Drill Bit Size: 5/32 in (4 mm)



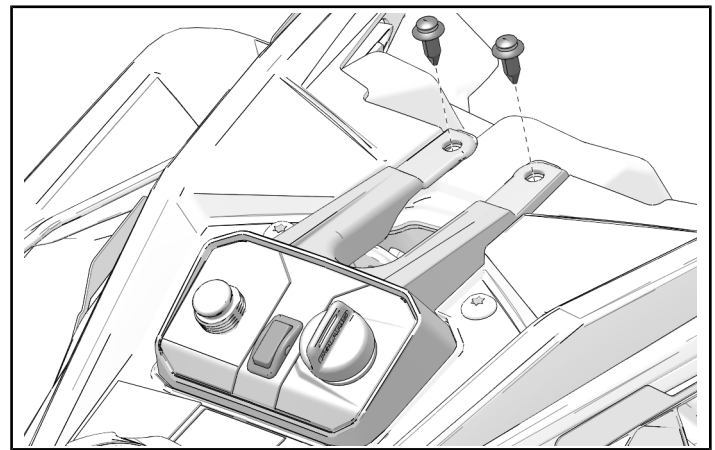
6. Remove remaining plastic with a suitable tool.
7. Install switch ③ in hole.



8. Connect 1B to switch ③.

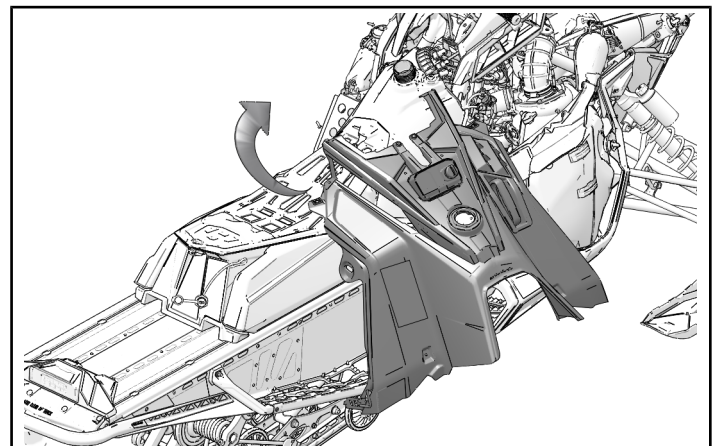


9. Install bezel in console using two push pin rivets.



INSTALL COWL

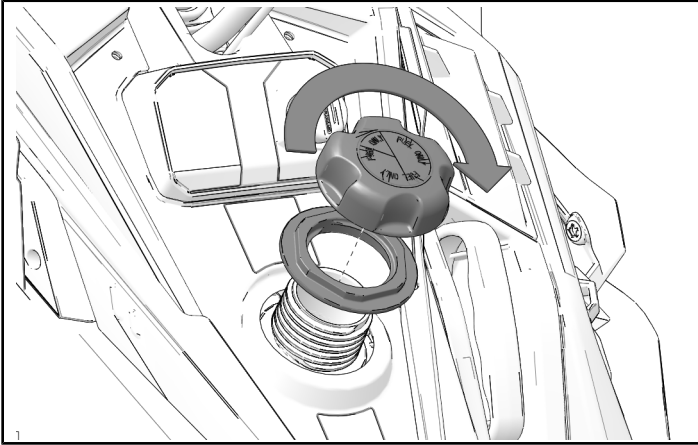
1. Remove fuel cap and place cowl on snowmobile. Install switch panel using clips. Connect switch wiring.



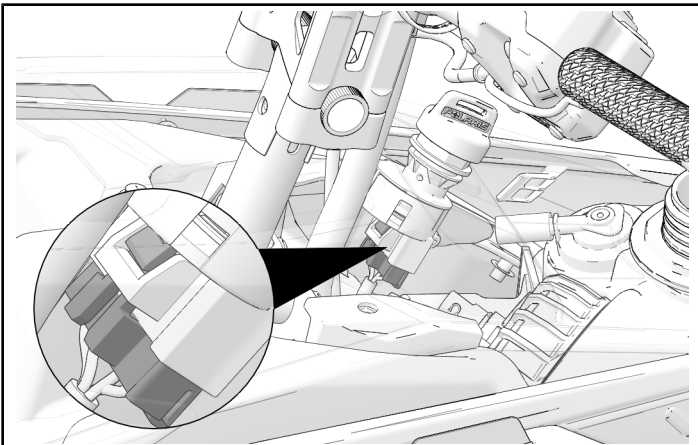
2. Install fuel cap and fuel tank retainer nut.

TIP

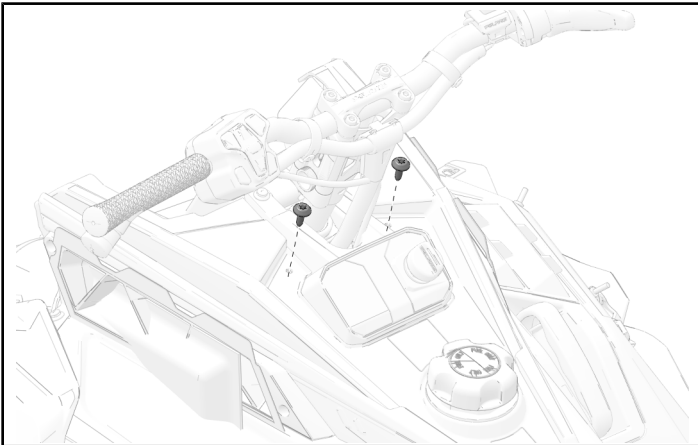
Use a large adjustable pliers to install fuel tank retainer nut.



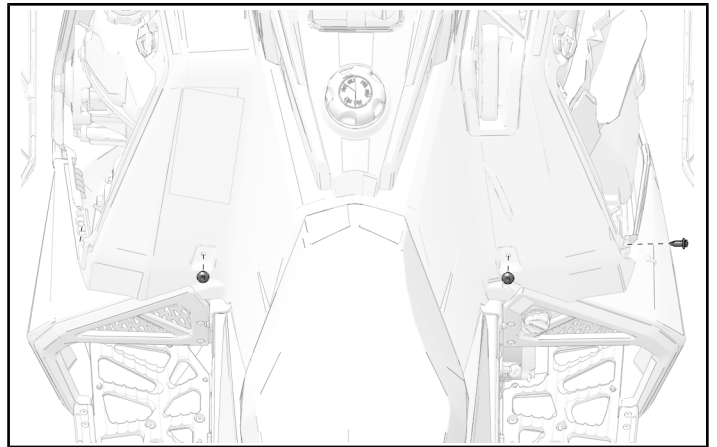
3. Connect ignition switch wiring. Also connect other switch wiring if equipped.



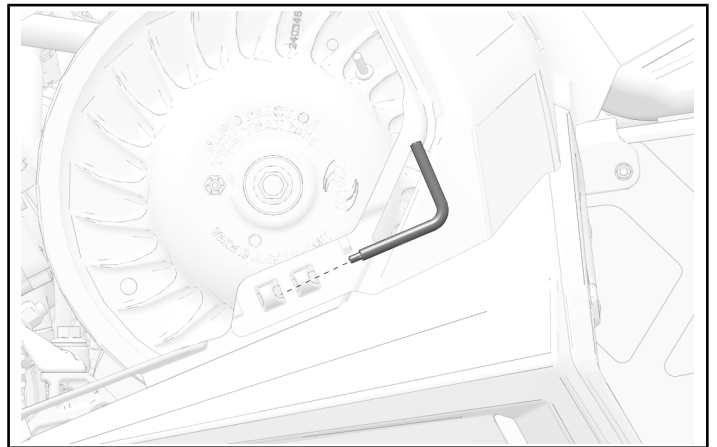
4. Install two screws.



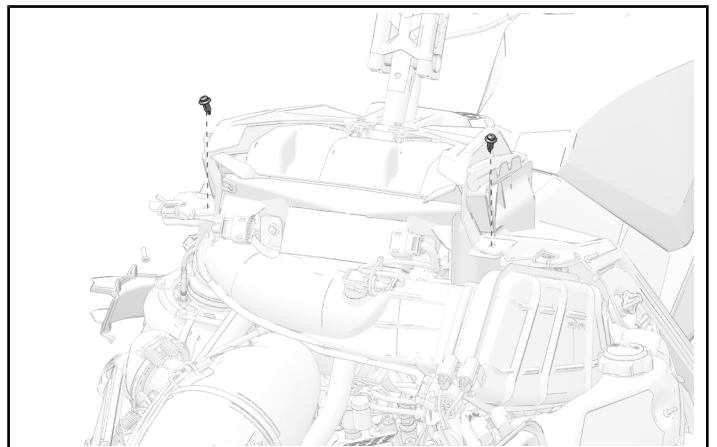
5. Install two screws and one push pin rivet.



6. Install secondary clutch tool.

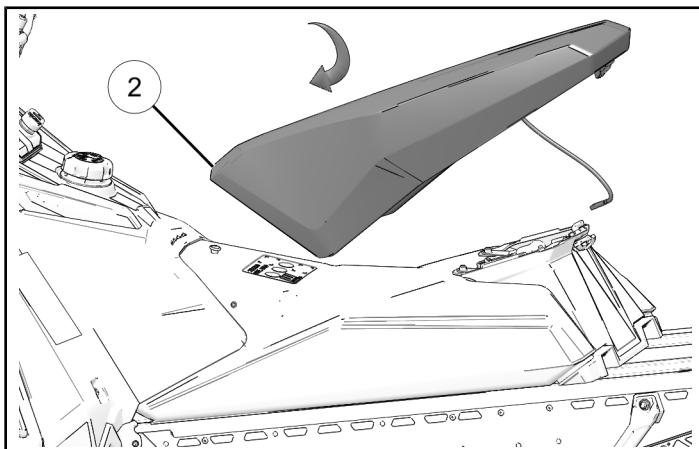
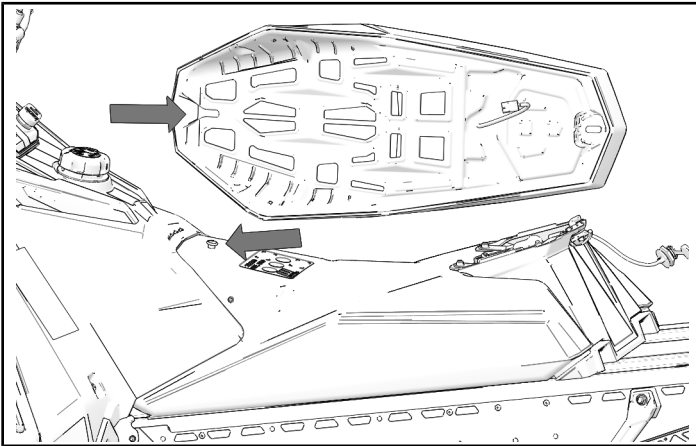


7. Install two push pin rivets.

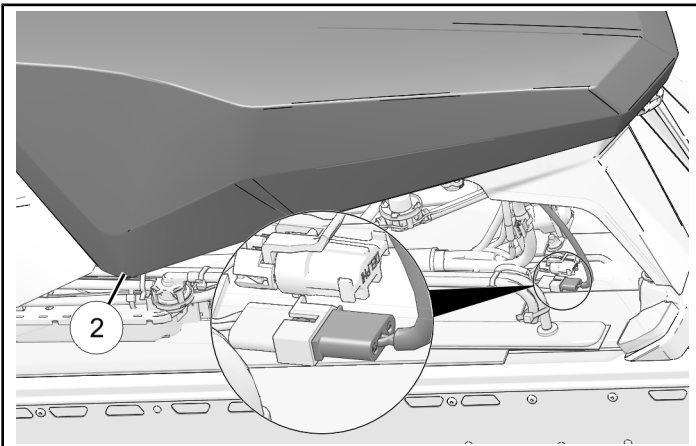


INSTALL HEATED SEAT

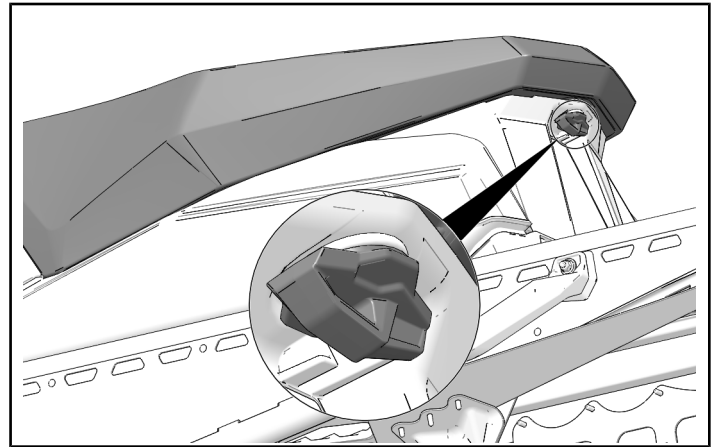
1. Install heated seat ② on snowmobile. Make sure channel on front of seat fits onto mounting stud.



2. Connect heated seat ② plug to chassis connection.



3. Turn latch at rear of seat to lock seat onto snowmobile.



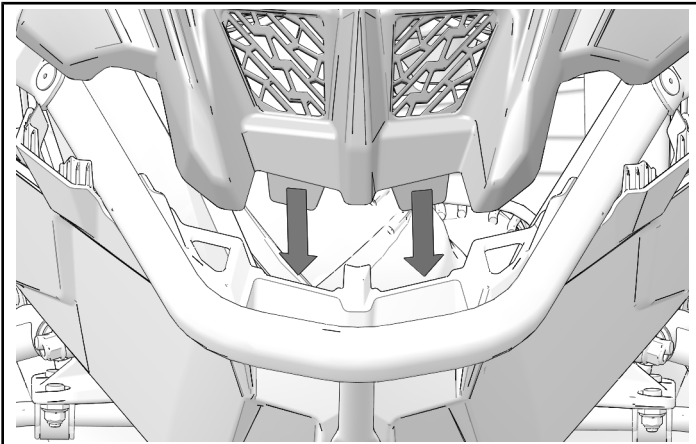
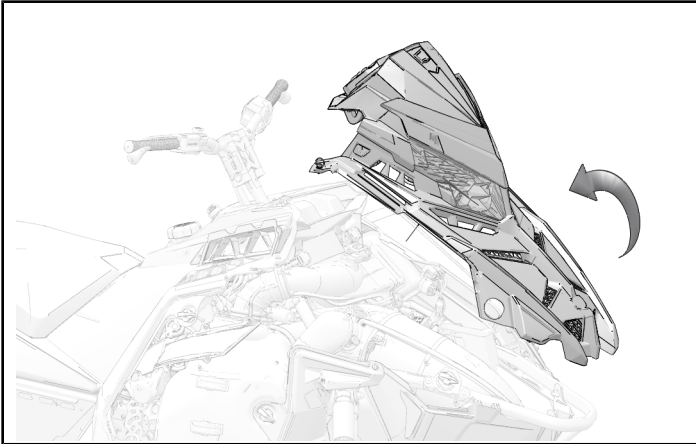
VEHICLE REASSEMBLY

INSTALL HOOD

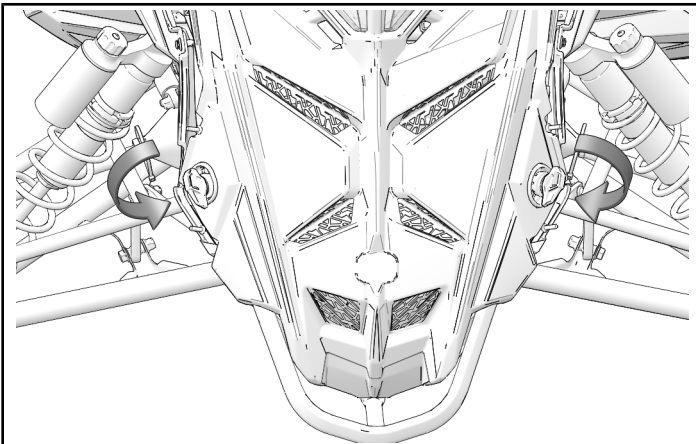
1. Install hood on snowmobile. Make sure tabs fit inside front pan.

NOTICE

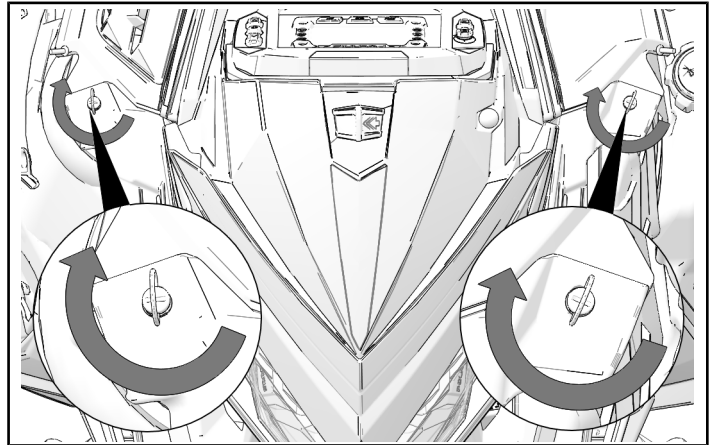
Make sure to connect hood wiring when installing hood.



2. Pull sides of hood out and install over side panel fasteners.



3. Turn hood fasteners clockwise to lock hood.

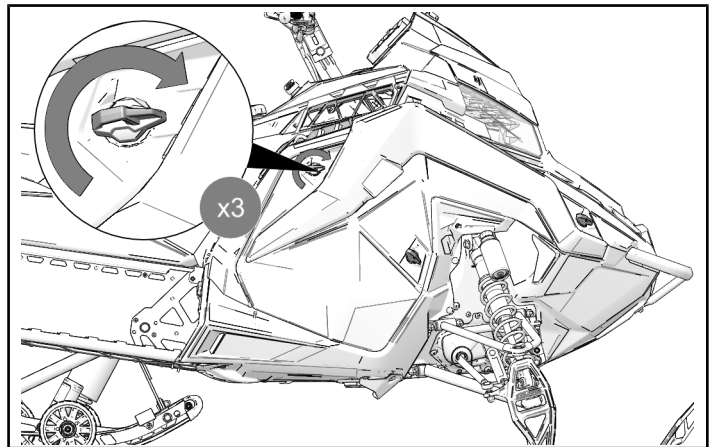


INSTALL SIDE PANELS

1. Install side panel on snowmobile. Turn three fasteners toward front of snowmobile to lock panel.

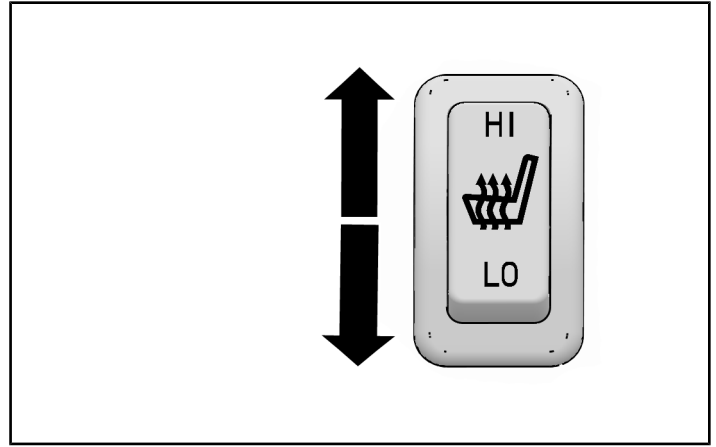
NOTICE

Right side panel shown, left side similar.



OPERATION

Push the switch up to activate the High heat setting or push the switch down to activate the Low heat setting. Return the switch to the middle position to turn the heated seat off.



INSTRUCTION FEEDBACK FORM

A feedback form has been created for the installer to provide any comments, questions or concerns about the installation instructions. The form is viewable on mobile devices by scanning the QR code or by clicking [HERE](#) if viewing on a PC.

