

# STORAGE BIN KIT



P/N 2884666

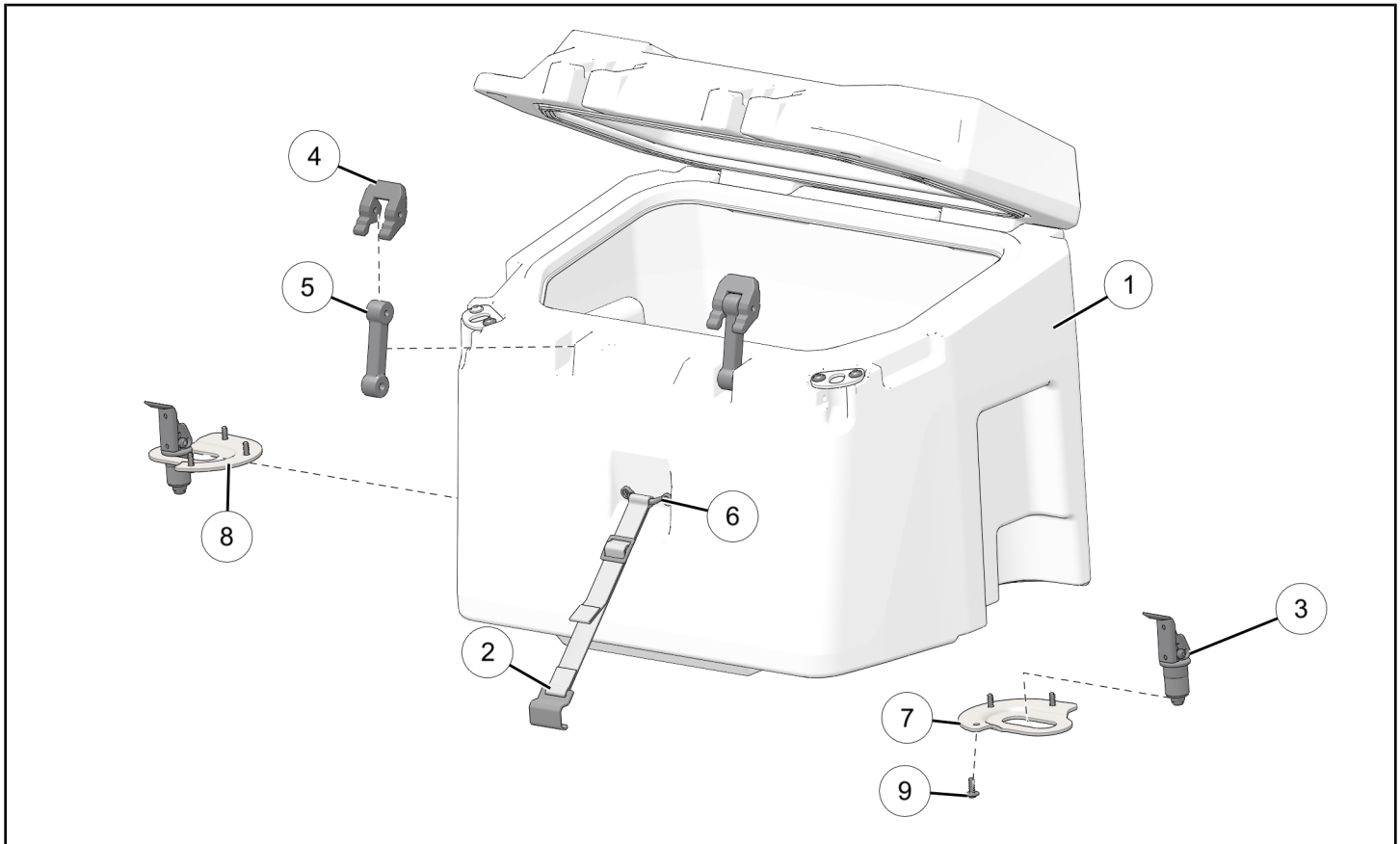
## BEFORE YOU BEGIN

Read these instructions and check to be sure all parts and tools are accounted for. Please retain these installation instructions for future reference and parts ordering information.

## APPLICATION

Verify accessory fitment at [www.polaris.com](http://www.polaris.com).

## KIT CONTENTS



REF	QTY	PART DESCRIPTION	P/N AVAILABLE SEPARATELY	AVAILABLE SERVICE KIT
1	1	Storage Bin	n/a	n/a
2	1	Assembly-Strap	n/a	2208597
3	2	Lock & Ride® Anchor	2876420	n/a
3.1	2	- Bushing-Rubber	5413598	n/a
3.2	2	- Washer-Plastic	5437777	n/a
3.3	2	- Screw-Pan Head, #8 x 32 x 0.75 in	7511875	n/a
3.4	2	- Nut-Nylon locking, #8 x 32	7545004	n/a
3.5	2	- Nut-Nylon locking, 5/16 in x 24	7547217	n/a

REF	QTY	PART DESCRIPTION	P/N AVAILABLE SEPARATELY	AVAILABLE SERVICE KIT
3.6	2	- Washer– 0.375 x 0.875 x 0.078 in	7558403	n/a
4	2	Body–Flex, Latch	n/a	2208597
5	2	Latch–Lever, Storage	n/a	2208597
6	1	Loop–Footman	n/a	2208597
7	1	Bracket–Mounting, Lock & Ride®, Right-Hand	n/a	n/a
8	1	Bracket–Mounting, Lock & Ride®, Left-Hand	n/a	n/a
9	6	Screw–Flanged Button Head , M6 x 16 mm	n/a	n/a
10	2	Washer–1.25 x 0.344 in (not shown)	n/a	n/a

## TOOLS REQUIRED

- Safety Glasses
- Hex Key Set, Metric
- Wrench Set, SAE

## IMPORTANT

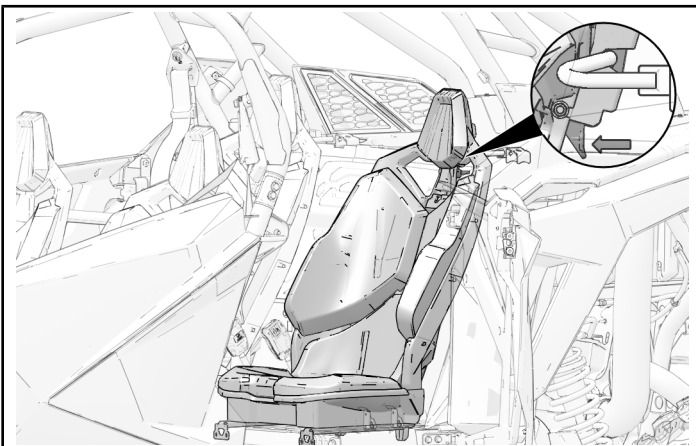
Your Storage Bin Kit is exclusively designed for your vehicle. Please read the installation instructions thoroughly before beginning. Installation is easier if the vehicle is clean and free of debris. For your safety, and to ensure a satisfactory installation, perform all installation steps correctly in the sequence shown.

## INSTALLATION INSTRUCTIONS

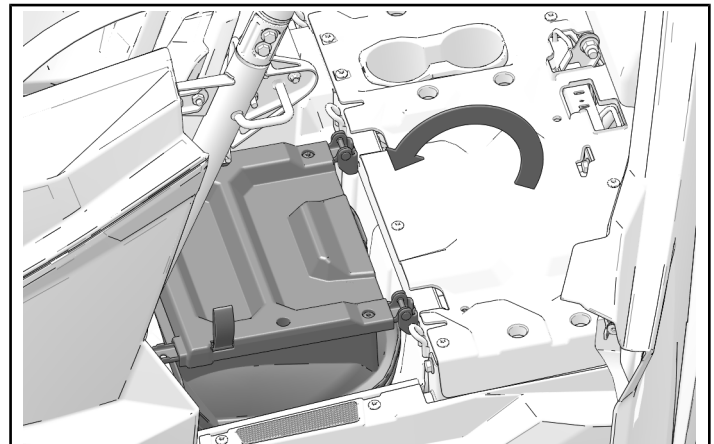
### VEHICLE PREPARATION

#### GENERAL

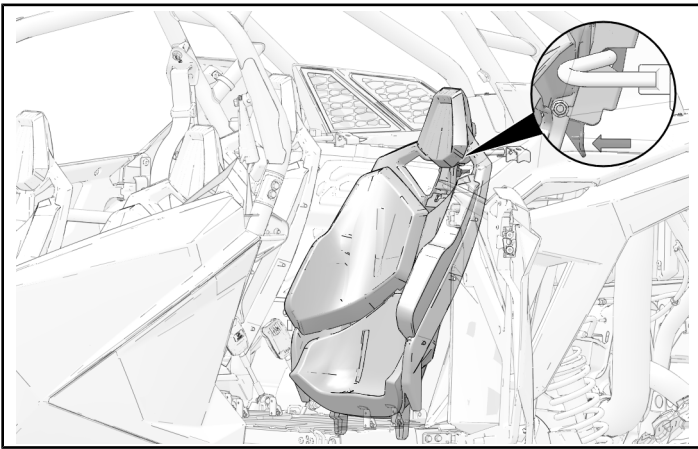
1. Shift vehicle transmission into PARK.
2. Turn key to OFF position and remove from vehicle.
3. Remove seat backrest.



4. Flip seat base down.



5. Install rear seat backrest.



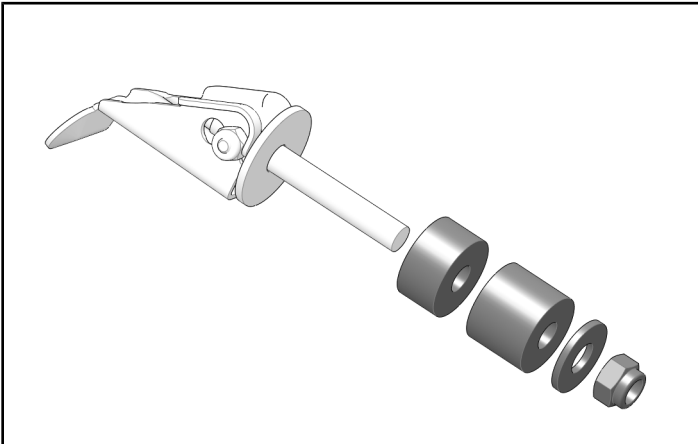
## ACCESSORY INSTALLATION

### LOCK & RIDE® ASSEMBLY

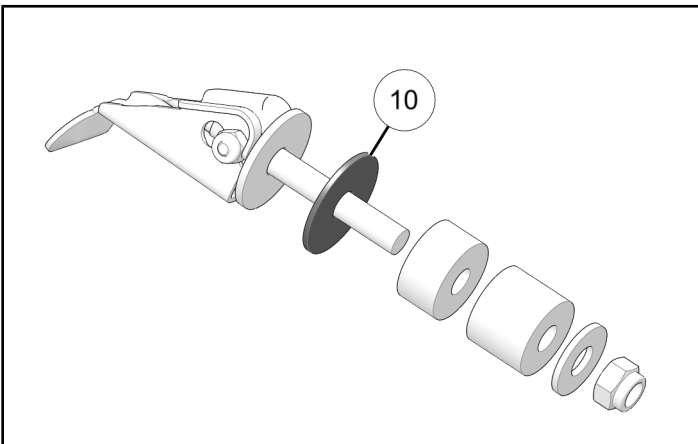
#### NOTICE

One shown; other similar.

1. Disassemble Lock & Ride® anchor.



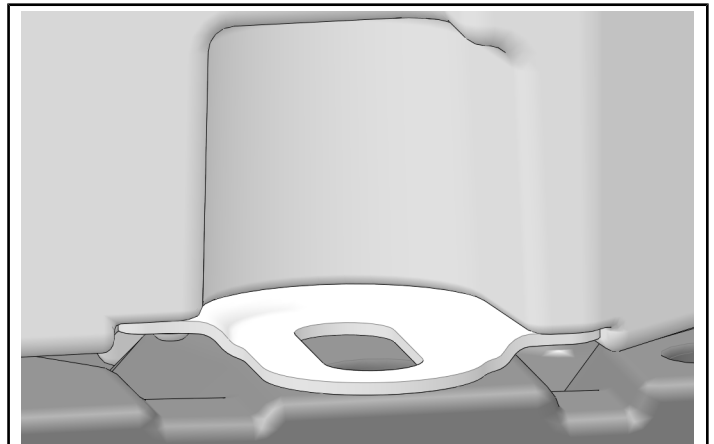
2. Put washer ⑩ on anchor rod under nylon washer. Reinstall removed parts. Adjust nut on anchor as needed for proper locking fitment.



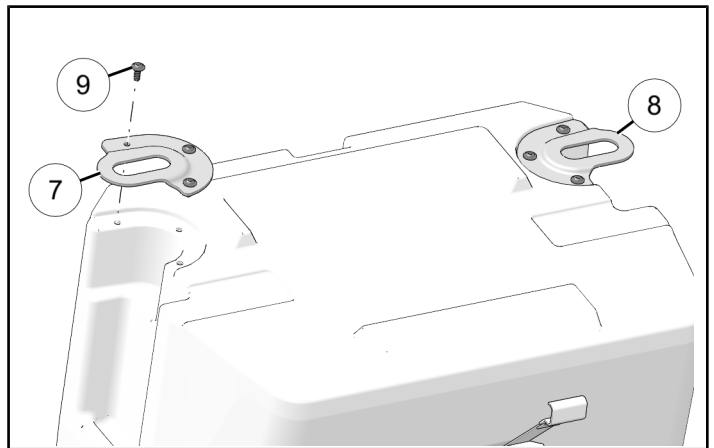
## STORAGE BIN INSTALLATION

Installed View:

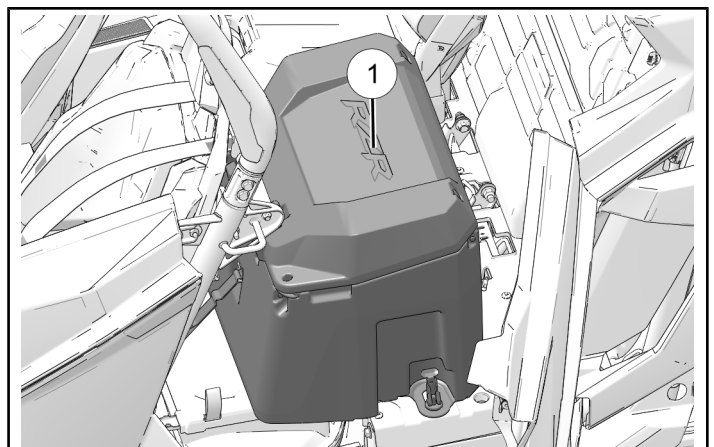
Make sure bracket orientation is as shown, with Lock & Ride® hole at the lowest point.



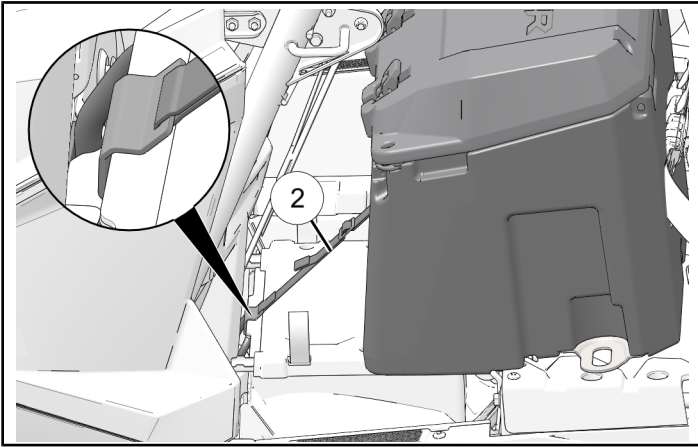
1. Install brackets ⑦ and ⑧ using screws ⑨. Torque fasteners until fully seated.



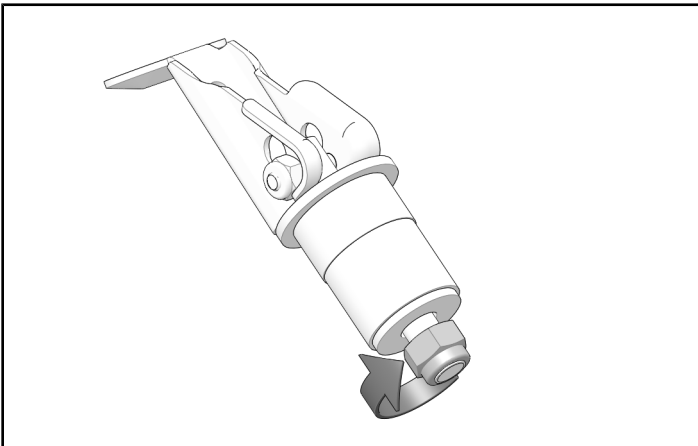
2. Place bin ① in vehicle and nest bottom of bin into platform. Lock & Ride® mounting holes will align in rear seat panel.



3. Tilt bin forward and secure strap ② to edge of seat base. Tension strap to lift back of box.



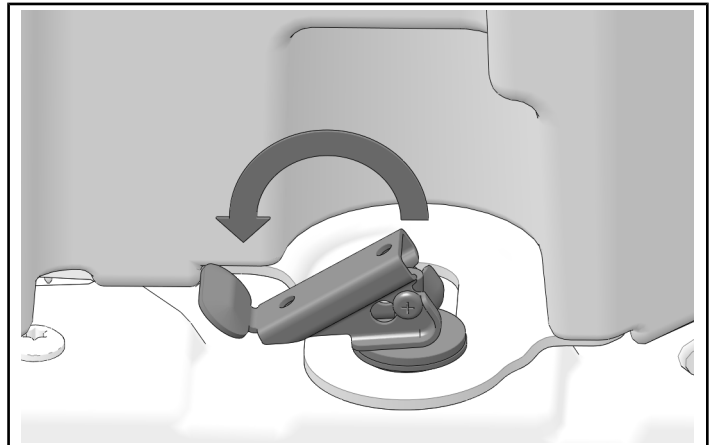
4. Lock & Ride® assemblies may need adjustment. If fitment is too loose or too tight to lock, adjust bottom nut.



5. Push box down. Insert and lock Lock & Ride® anchors ③.

### IMPORTANT

Bin should not move when strap and Lock & Ride® anchors are installed.



## INSTRUCTION FEEDBACK FORM

A feedback form has been created for the installer to provide any comments, questions or concerns about the installation instructions. The form is viewable on mobile devices by scanning the QR code or by clicking [HERE](#) if viewing on a PC.

