

POLARIS® GENERATOR PARALLEL KIT



P/N 2830536

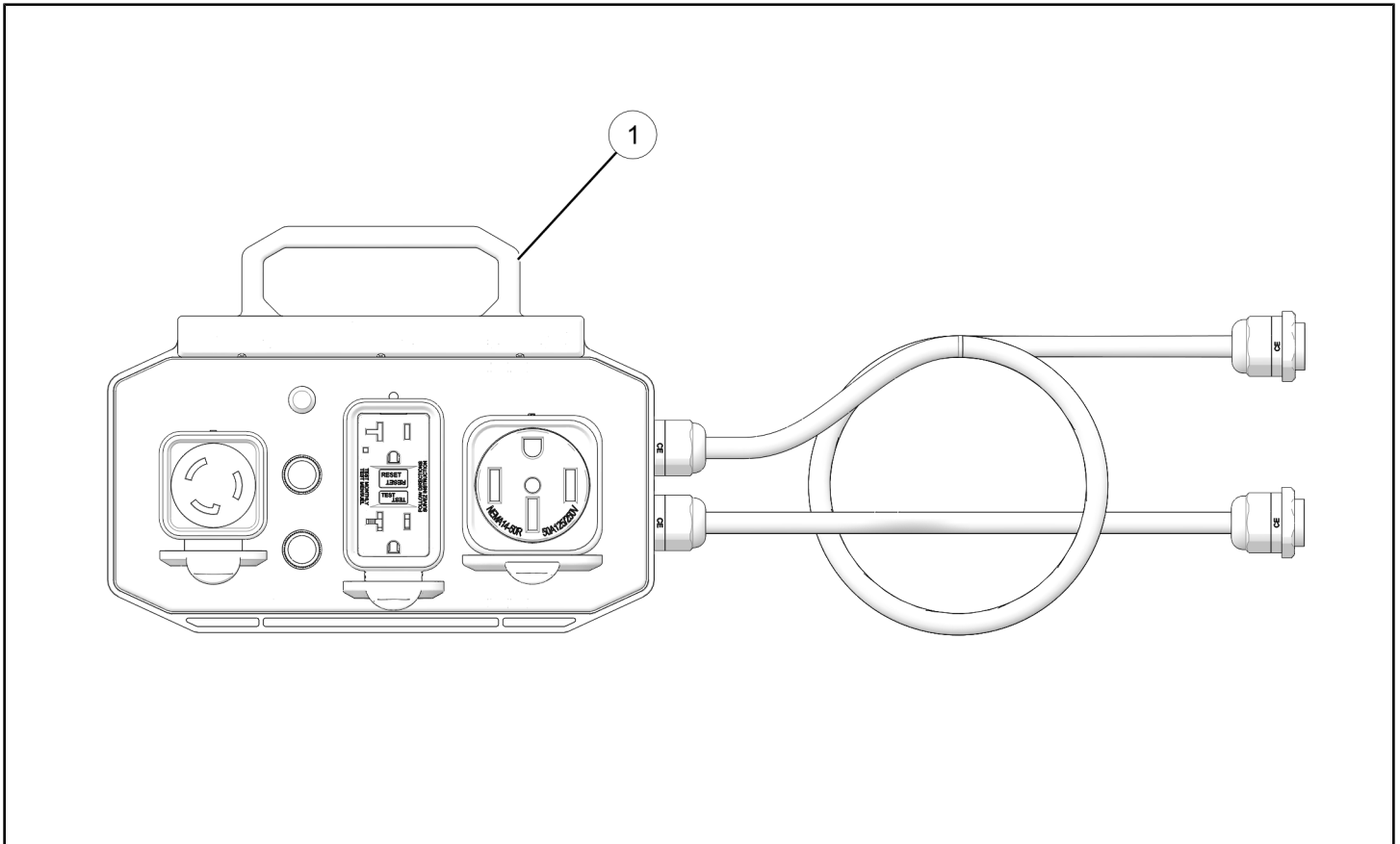
APPLICATION

Verify accessory fitment at www.polaris.com.

⚠ WARNING

Only connect two Polaris parallel-ready generators, such as the Polaris Power P3200i or P2000i, with the approved parallel cable PN 2830536. Attempting to connect other brands or models will void your warranty and could cause severe injury.

KIT CONTENTS



REF	QTY	PART DESCRIPTION	P/N AVAILABLE SEPARATELY
1	1	Polaris® Parallel Inverter	2830536

BEFORE YOU BEGIN

Read these instructions and check to be sure all parts and tools are accounted for. Please retain these installation instructions for future reference and parts ordering information.

TOOLS REQUIRED

None

CONSUMABLES REQUIRED

None

IMPORTANT

Your Polaris® Generator Parallel Kit is exclusively designed for your vehicle. Please read the installation instructions thoroughly before beginning. Installation is easier if the vehicle is clean and free of debris. For your safety, and to ensure a satisfactory installation, perform all installation steps correctly in the sequence shown.

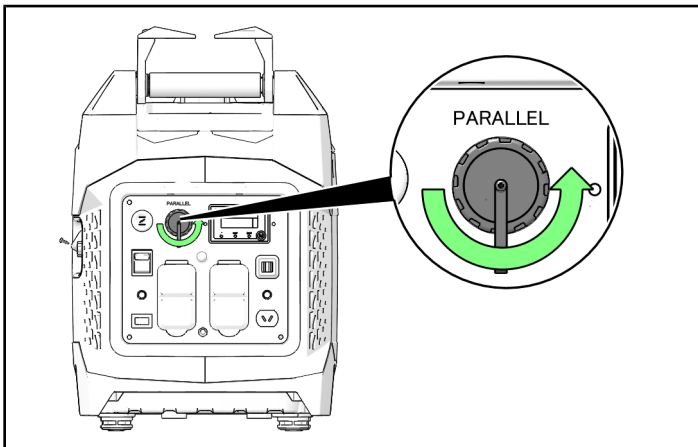
INSTALLATION INSTRUCTIONS

1. Ensure both generators are off.

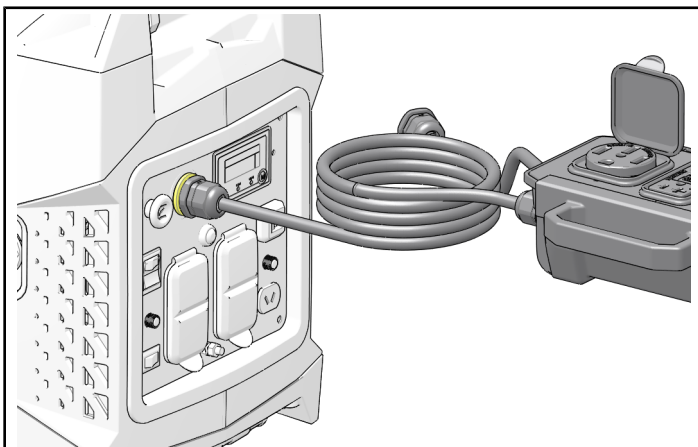
IMPORTANT

Do not start the generators before connecting both parallel cables. Running a generator with only one cable connected will cause an overload and require an engine reset. If the overload indicator light remains on after resetting the generator, stop the engine and wait five minutes before restarting.

2. Locate parallel socket and remove protective cap.



3. Connect one of the AC parallel cables to the parallel socket on the first generator.



4. Connect the remaining parallel cable to the second generator's parallel socket.
5. The parallel inverter kit is now ready to be used. Follow the steps in the *Operating Procedures* section for proper use.

OPERATING PROCEDURES

NOTICE

- For continuous operation, do not exceed the combined rated power of the paralleled generators.
- Do not run the generators longer than 30 minutes at max output.

1. BEFORE starting generators, ensure all appliances are off and disconnected.
2. Start each generator and then connect the appliance to the parallel cable.
3. Turn on appliance.
4. When finished, turn off appliance and disconnect appliance.
5. Shut down BOTH generators.
6. Disconnect parallel cables.

IMPORTANT

Always stop both engines before removing the parallel cables. Running a generator with only one cable connected will cause an overload and require an engine reset.

FEEDBACK FORM

A feedback form has been created for the installer to provide any comments, questions or concerns about the installation instructions. The form is viewable on mobile devices by scanning the QR code or by clicking [HERE](#) if viewing on a PC.

