

# P2000I HIGH ALTITUDE KIT



P/N 2884865

## APPLICATION

Verify accessory fitment at [www.polaris.com](http://www.polaris.com).

## BEFORE YOU BEGIN

Read these instructions and check to be sure all parts and tools are accounted for. Please retain these installation instructions for future reference and parts ordering information.

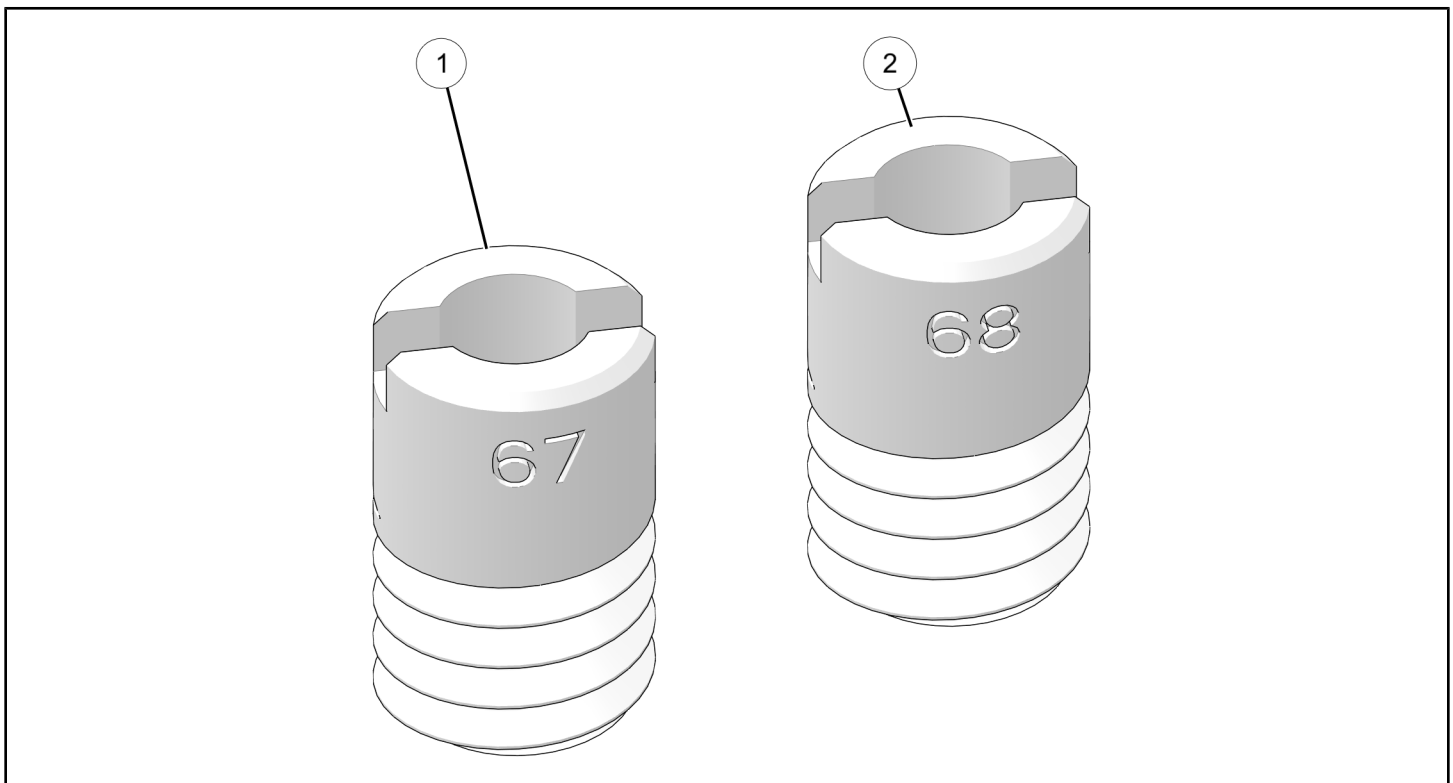
## INSTALLATION VIDEO

This video will provide more clarity for kit installation. There are three ways to access the kit installation video:

- Scan the QR Code with a mobile device.
- Click the QR Code if viewing the instruction as a PDF.
- Enter the following URL in a web browser: <https://www.youtube.com/watch?v=Uak6rMbNVZM>



## KIT CONTENTS



REF	QTY	PART DESCRIPTION	P/N AVAILABLE SEPARATELY
1	1	Main Jet - 67	N/A
2	1	Main Jet - 68	N/A

## TOOLS REQUIRED

- Safety Glasses
- Drain Pan
- Screwdriver, Phillips
- Screwdriver, Slotted
- Socket Set, Metric
- Wrench Set, Metric

## CONSUMABLES REQUIRED

- Gloves, Chemical Resistant
- Shop Rags

## IMPORTANT

Your P2000i High Altitude Kit is exclusively designed for your vehicle. Please read the installation instructions thoroughly before beginning. Installation is easier if the vehicle is clean and free of debris. For your safety, and to ensure a satisfactory installation, perform all installation steps correctly in the sequence shown.

## INSTALLATION INSTRUCTIONS

### ACCESSORY INSTALLATION

#### WARNING

Gasoline is highly flammable and is explosive. You can be burned or seriously injured when handling fuel. Keep heat, sparks, and flame away. Wipe up spills immediately.

#### NOTICE

Using the wrong carburetor main jet may cause poor engine performance. If too lean of a main jet is used, severe engine damage may result.

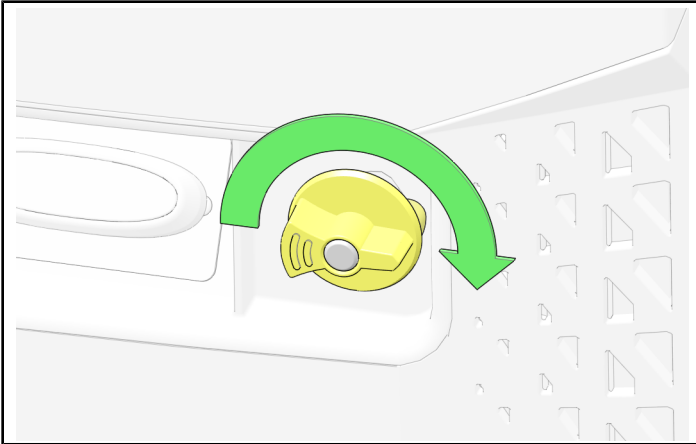
### ALTITUDE JET SPECIFICATIONS

MODEL	ENGINE	ALTITUDE	ALTITUDE JET MARK
P2000i	79cc	3000-6000 ft	68
		6000-8000 ft	67

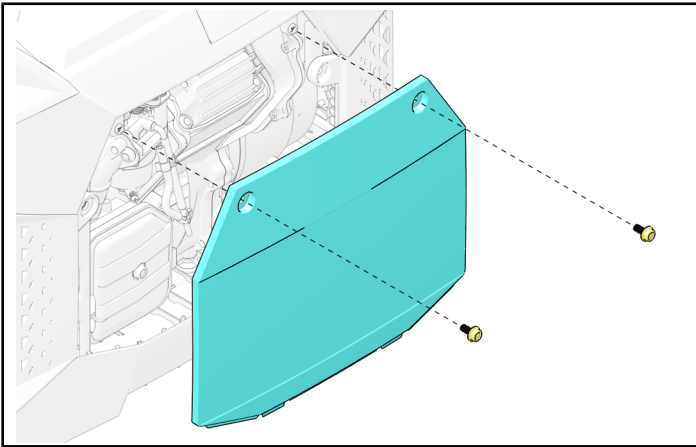
## JET INSTALLATION

To change the carburetor main jet, follow this procedure:

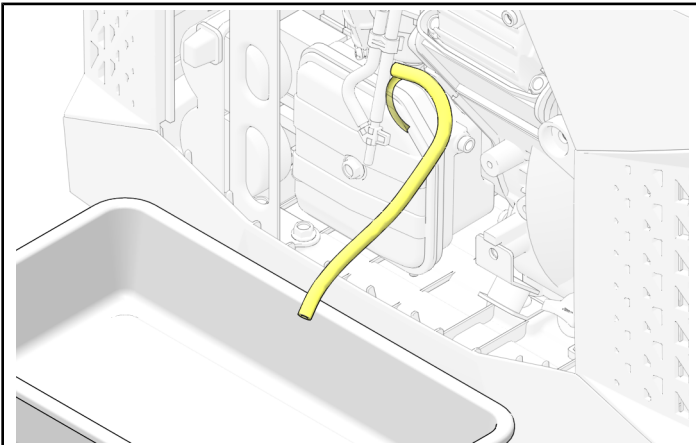
1. Turn the fuel valve switch to the OFF position.



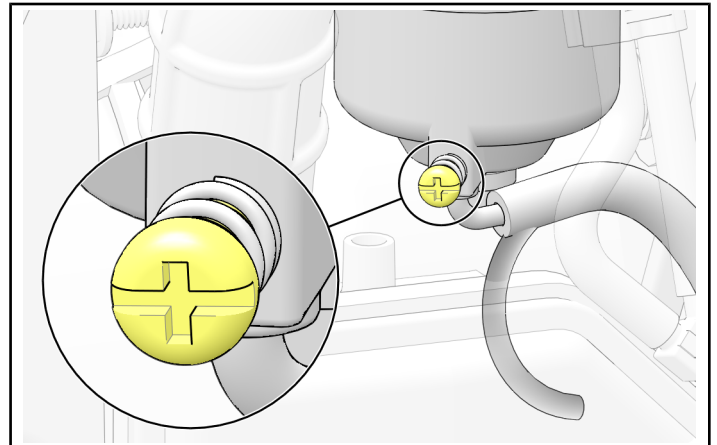
2. Loosen the two maintenance cover fasteners and remove the cover.



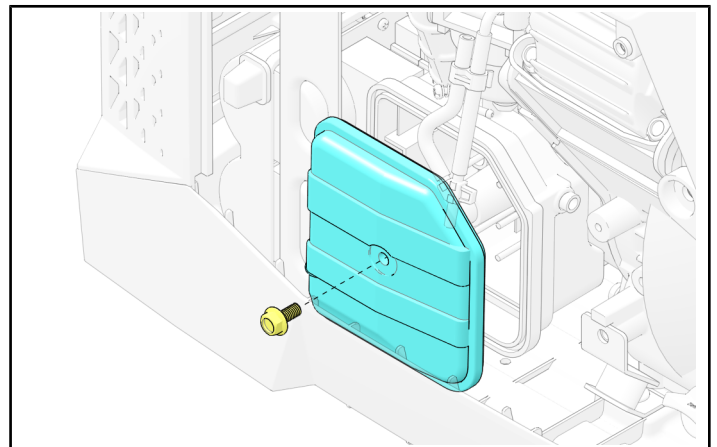
3. Pull the fuel drain hose out and into a suitable container.



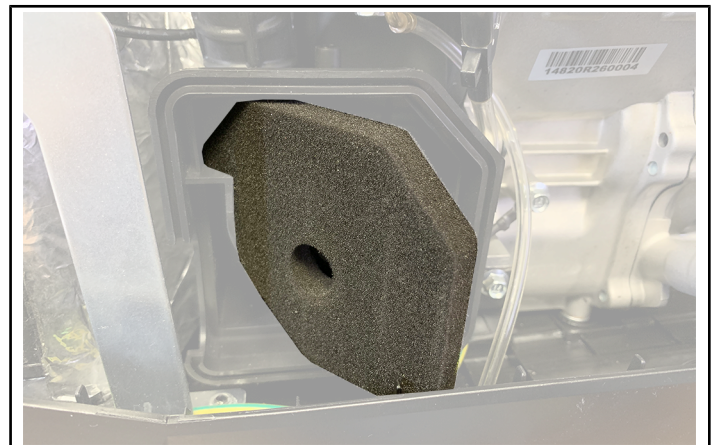
4. Loosen the carburetor drain screw and drain the fuel into a suitable container.



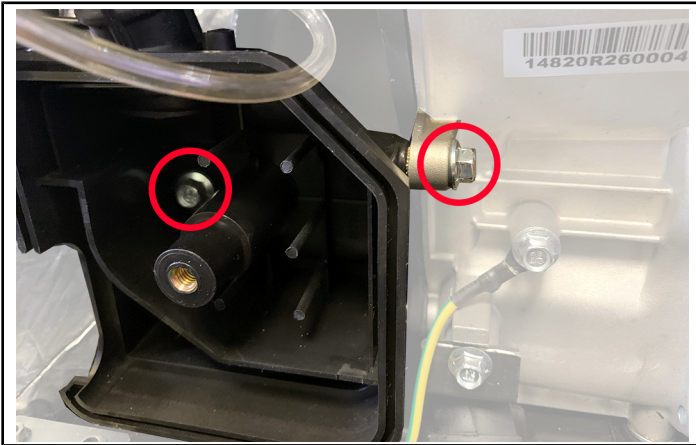
5. Tighten the drain screw once the fuel is drained.
6. Route the fuel hoses out of the way.
7. Remove the fastener securing the air box cover and remove the cover.



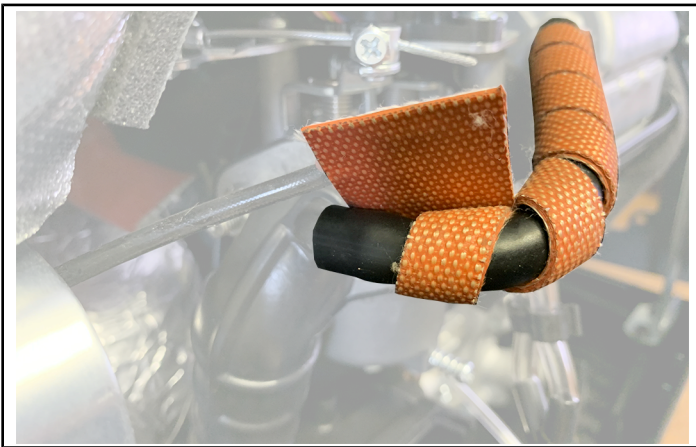
8. Remove the air filter.



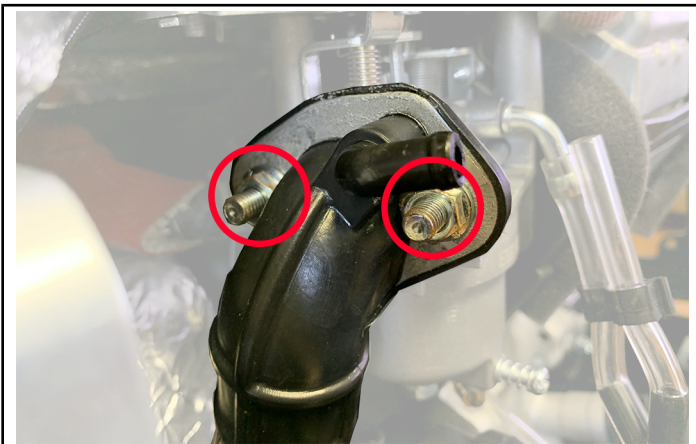
9. Remove the two fasteners securing the air box housing.



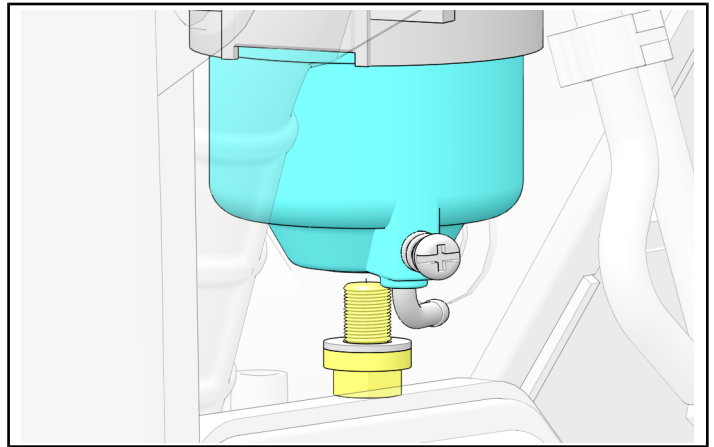
10. Disconnect the crankcase vent hose from the air box duct.



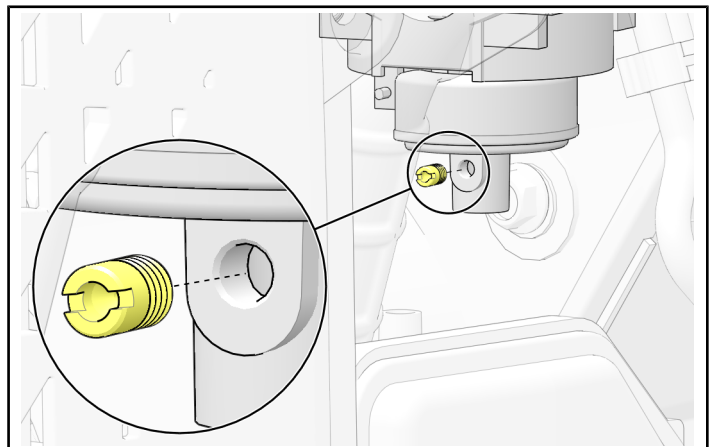
11. Remove the two nuts securing the air duct to the carburetor. Pull the air box duct off the posts and remove the air box.



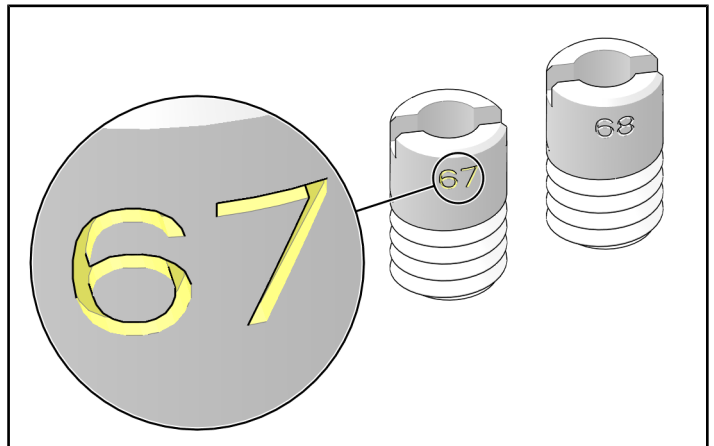
12. Remove the float bowl chamber bolt and remove the bowl.



13. Remove the main jet from the carburetor.



14. Install the correct main jet for the altitude in which the generator is operating. Do not over-tighten the jet.



MODEL	ENGINE	ALTITUDE	ALTITUDE JET MARK
P2000i	79cc	3000-6000 ft	68
		6000-8000 ft	67



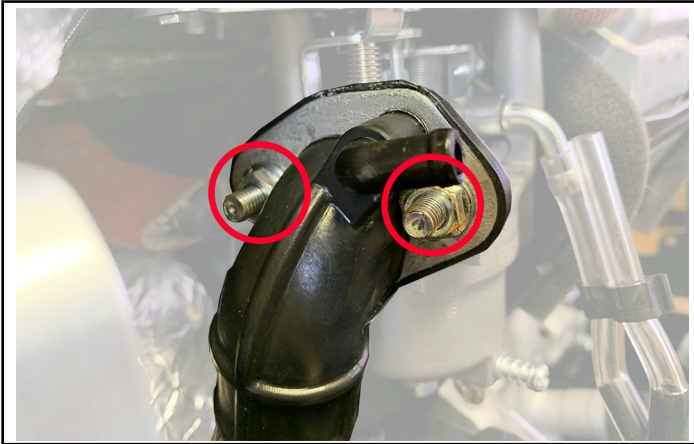
15. Align the float chamber o-ring and reinstall the float bowl and chamber bolt. Torque bolt to specification.

**TORQUE**

Chamber Bolt:  
**13-16 ft-lbs (18-22 N·m)**

16. If not previously closed, close carburetor drain screw.

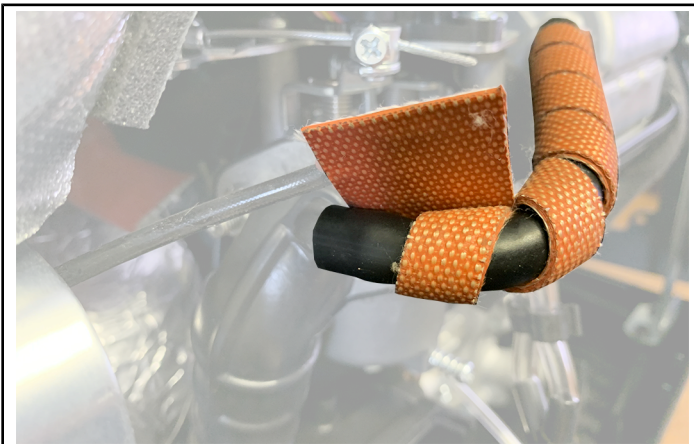
17. Install the air box duct onto the post. Install the two nuts securing the air duct to the carburetor. Torque nuts to specification.



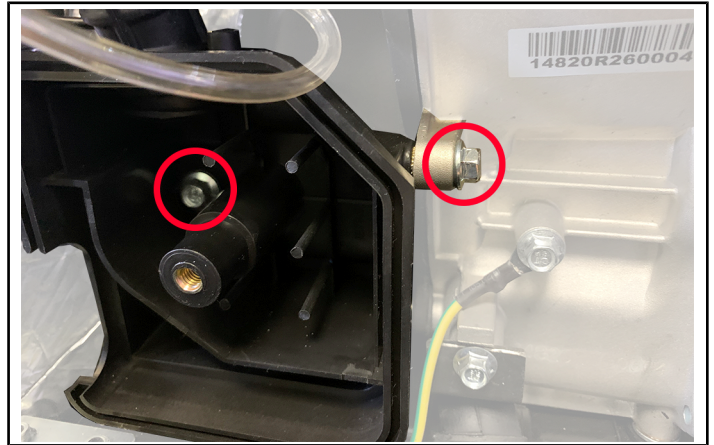
**TORQUE**

Air Box Duct Nuts:  
**80 in-lbs (9 N·m)**

18. Connect the crankcase vent hose to the air box duct.



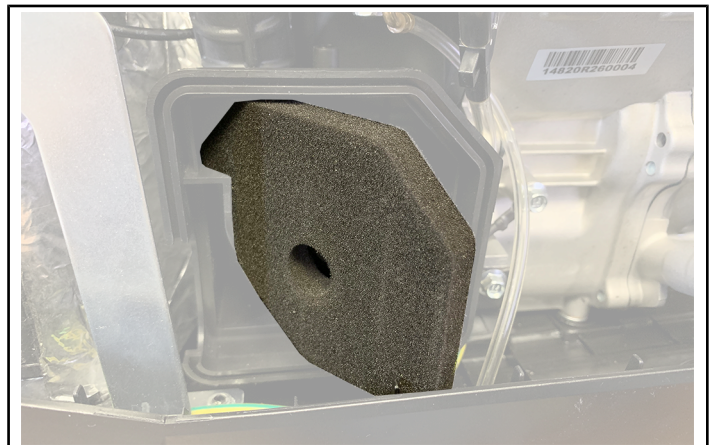
19. Install the two fasteners securing the air box housing. Torque fasteners to specification.



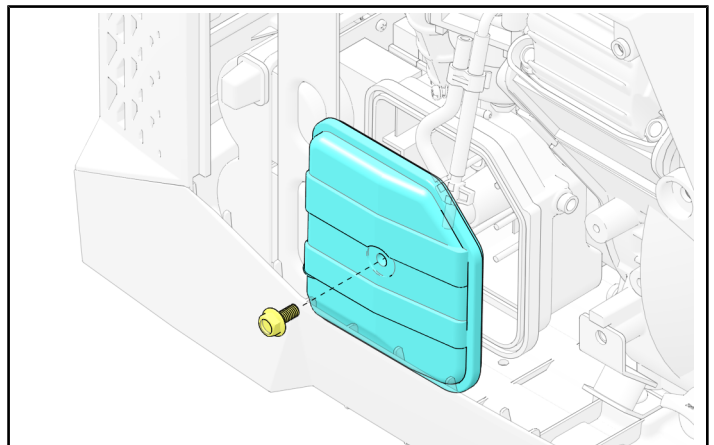
**TORQUE**

Air Box Housing Fasteners:  
**80 in-lbs (9 N·m)**

20. Install the air filter.



21. Install the air box cover and fastener securing the cover. Torque fastener to specification.



**TORQUE**

Air Box Cover Fastener:  
**80 in-lbs (9 N·m)**

22. Re-position the fuel hoses in their respective holders.
23. Reinstall the maintenance cover and tighten the fasteners until fully seated.

24. Turn on the fuel supply. Start generator and let engine run for several minutes.
25. Turn off generator. Verify there are no fuel leaks.

## INSTRUCTION FEEDBACK FORM

A feedback form has been created for the installer to provide any comments, questions or concerns about the installation instructions. The form is viewable on mobile devices by scanning the QR code or by clicking [HERE](#) if viewing on a PC.

