

UPPER DOOR KIT



P/N 2884664

BEFORE YOU BEGIN

Read these instructions and check to be sure all parts and tools are accounted for. Please retain these installation instructions for future reference and parts ordering information.

APPLICATION

Verify accessory fitment at www.polaris.com.

ACCESSORY WEIGHT

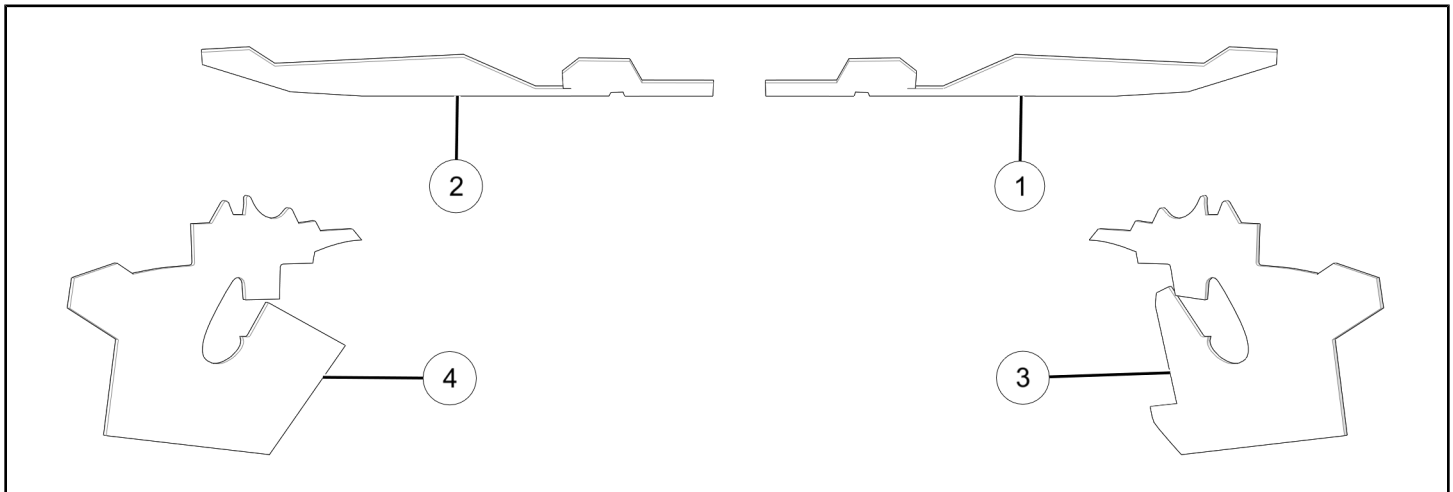
Accessories, passengers, and other factors may negatively affect ride performance. Refer to your vehicle's owner's manual for maximum weight capacity and suspension adjustment procedures.

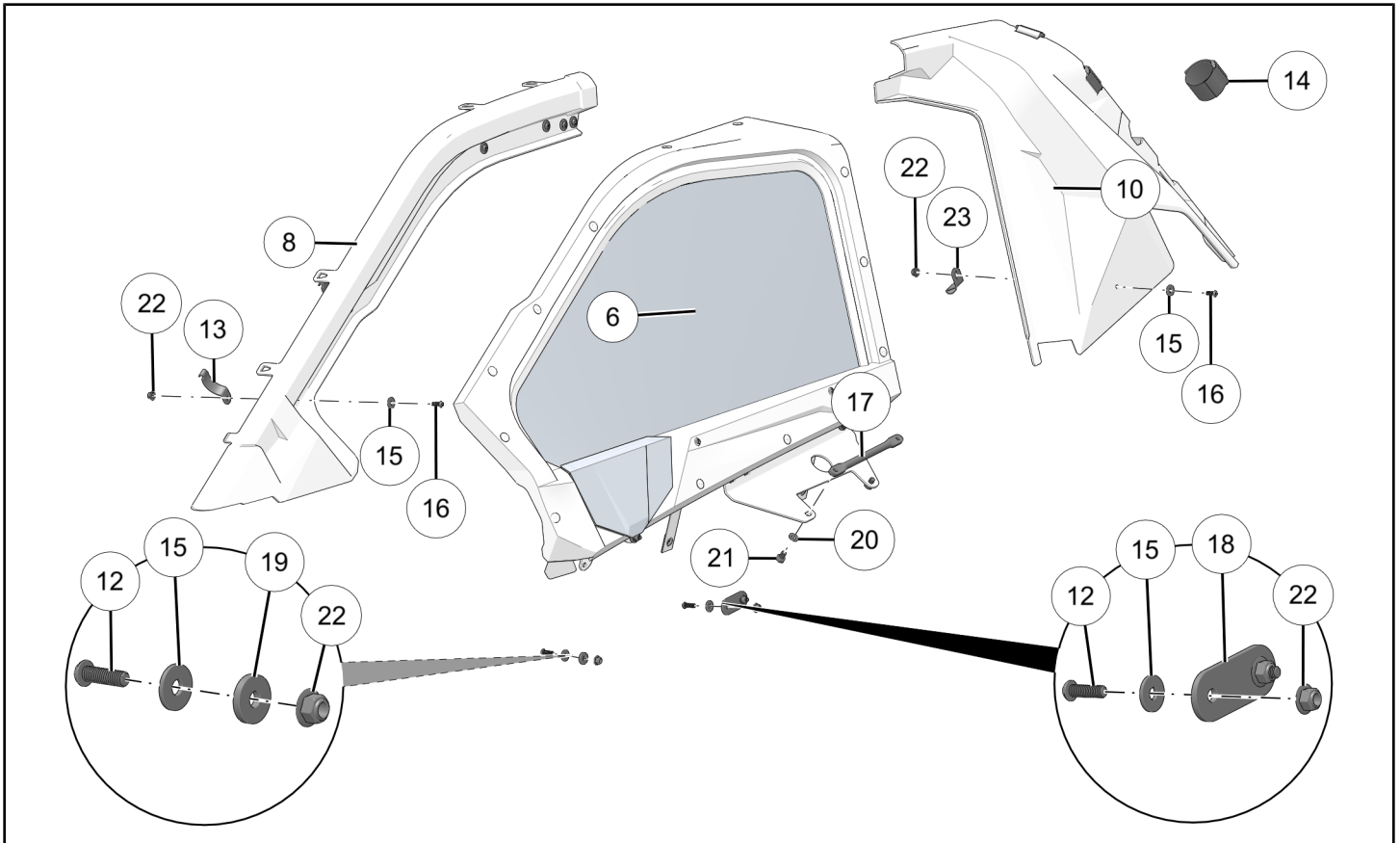
RECOMMENDED SOLD SEPARATELY

Only parts for installation of the Upper Door Kit are included. For ease of accessory use, the following kit is recommended (sold separately):

- *Zipper Lubricant Kit*, P/N 2208916

KIT CONTENTS





REF	QTY	PART DESCRIPTION	P/N AVAILABLE SEPARATELY
1	1	Seal-Hood, Left-Hand	n/a
2	1	Seal-Hood, Right-Hand	n/a
3	1	Seal-Fender, Left-Hand	n/a
4	1	Seal-Fender, Right-Hand	n/a
5	2	Seal-Shroud (not shown)	n/a
6	1	Shroud-Door, Front, Left-Hand	n/a
7	1	Shroud-Door, Front, Right-Hand (not shown)	n/a
8	1	Door Panel, Front, Right-Hand	2208851
9	1	Door Panel, Left-Hand	2208850
10	1	Shroud-Door, Rear, Left-Hand	n/a
11	1	Shroud-Door, Rear, Right-Hand (not shown)	n/a
12	10	Screw-Torx® Button Head, M6 x 20 mm	n/a
13	8	Clip-Shroud, 2 in	n/a
14	6	Hook-and-Loop Straps, 1-1/2 in x 10 in	n/a
15	24	Washer-Fender, M6	n/a
16	14	Screw-Torx® Button Head, M6 x 16 mm	n/a
17	2	Bar-Hold	n/a

REF	QTY	PART DESCRIPTION	P/N AVAILABLE SEPARATELY
18	2	Spacer–Oval	n/a
19	6	Washer–Spacer, M6	n/a
20	4	Washer, M8	n/a
21	4	Screw–Hex Head, M8 x 12 mm	n/a
22	24	Nut–Nylon Locking, M6 x 1.0 mm	n/a
23	2	Clip–Z	n/a

TOOLS REQUIRED

- Safety Glasses
- Cutting Tool
- Drill
- Drill Bit:
 - 1/4 in (6.5 mm)
 - 3/4 in (19 mm)
- Pliers, Push Pin Rivet
- Screwdriver Set, Torx®
- Socket Set, Metric
- Socket Set, Torx® Bit
- Torque Wrench
- Wrench Set, Metric

IMPORTANT

Your Upper Door Kit is exclusively designed for your vehicle. Please read the installation instructions thoroughly before beginning. Installation is easier if the vehicle is clean and free of debris. For your safety, and to ensure a satisfactory installation, perform all installation steps correctly in the sequence shown.

INSTALLATION INSTRUCTIONS

VEHICLE PREPARATION

GENERAL

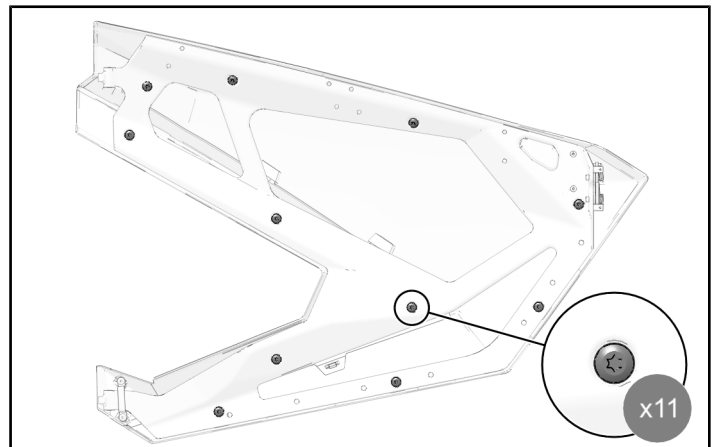
1. Shift vehicle transmission into PARK.
2. Turn key to OFF position and remove from vehicle.

FRONT DOOR PANEL REMOVAL

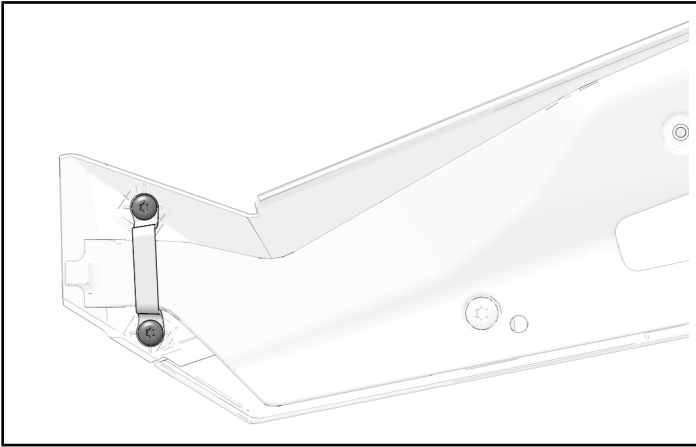
NOTICE

Left-hand door shown; right-hand door similar.

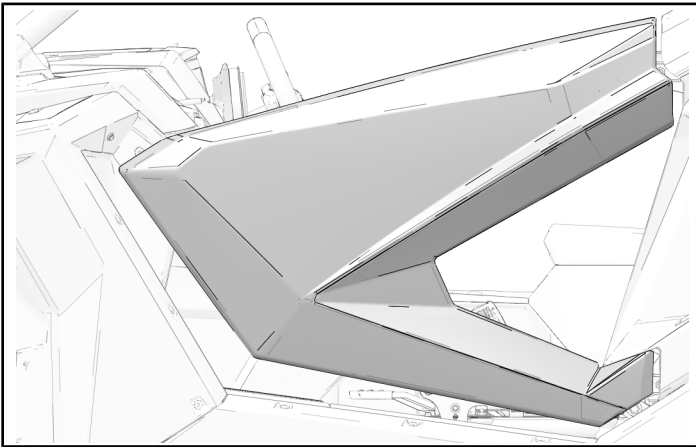
1. Remove eleven door panel fasteners.



2. Remove two bracket fasteners and trim bracket from door panel.

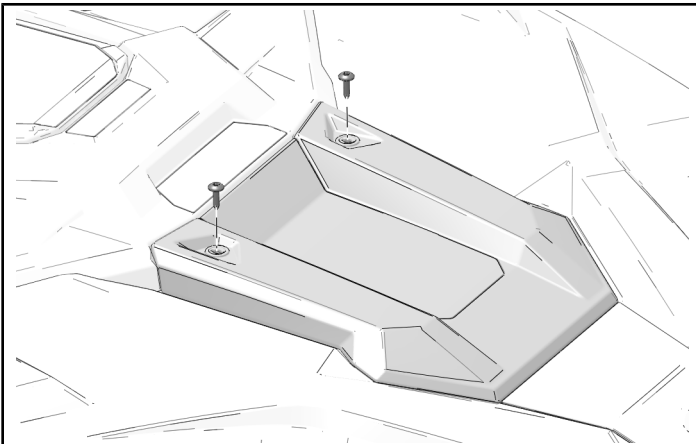


3. Remove door panel from door.



CENTER HOOD PANEL REMOVAL

1. Remove and keep two hood fasteners. Move hood towards rear of vehicle to remove.



FRONT FENDER REMOVAL

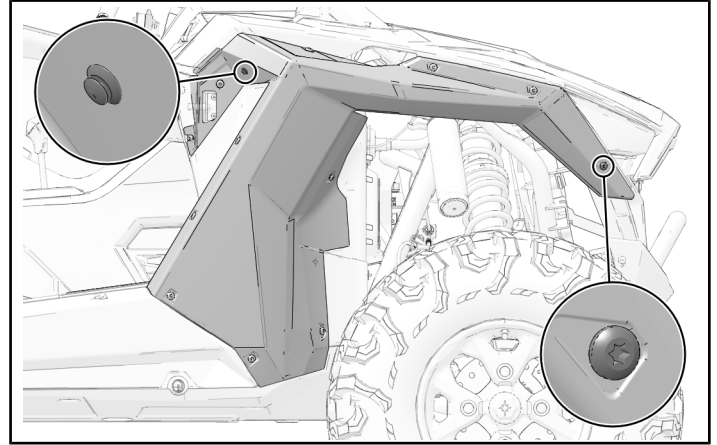
NOTICE

Right front fender shown; left front fender similar.

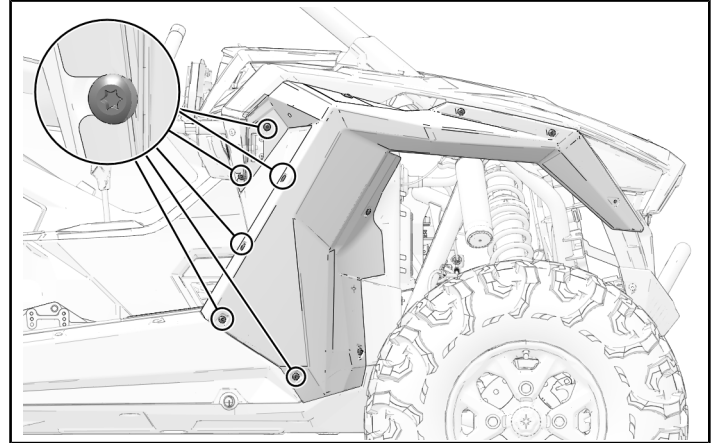
TIP

Fasteners in steps 2 and 3 are the same size.

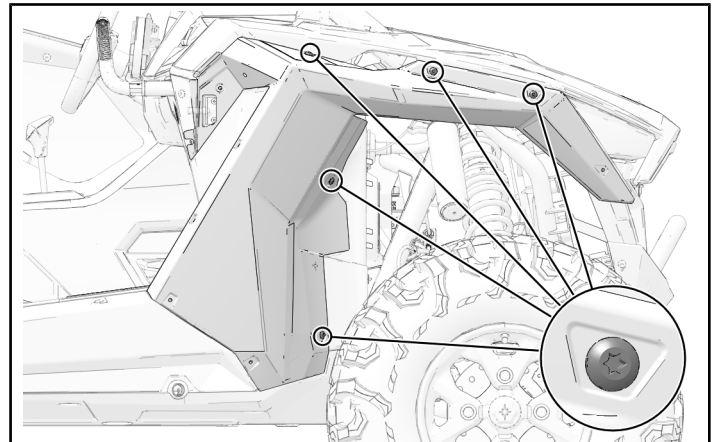
1. Remove the most front fastener (shorter) and one push-pin rivet.



2. Remove six fasteners from rear of front fender.



3. Remove five fasteners from front fender.



ACCESSORY INSTALLATION

Instructions for three different configurations are included. After installing the foam seals, choose which configuration best fits your vehicle.

- Plastic Door/Aluminum Door + Upper Door Installation, page 8
- Plastic Door + Inner Door + Upper Door Installation, page 13
- Aluminum Door + Inner Door + Upper Door Installation, page 18

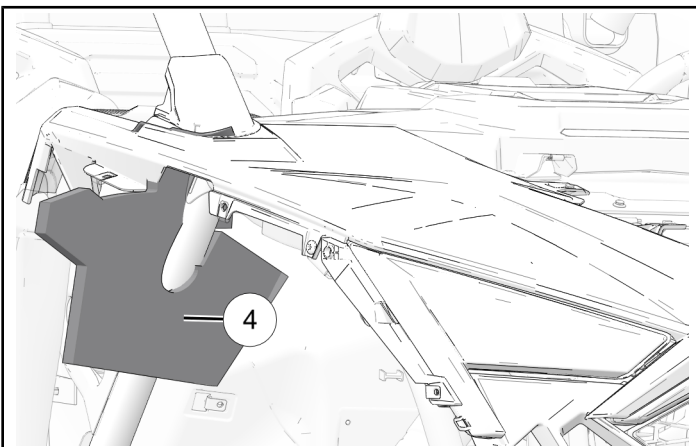
FOAM SEAL INSTALLATION

FENDER SEAL INSTALLATION

1. Put left fender seal ③ around chassis tube.

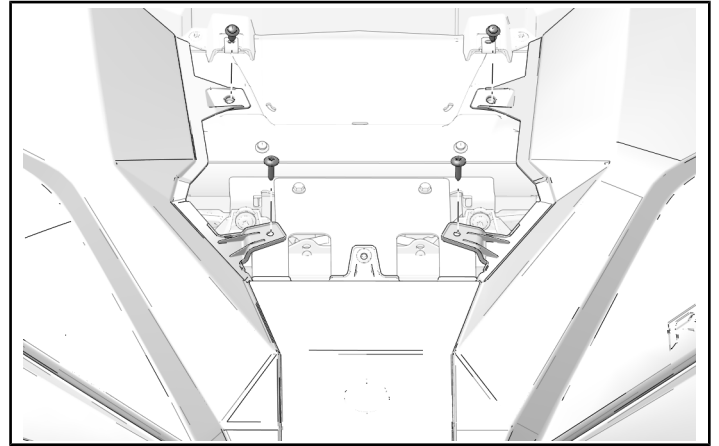


2. Put right fender seal ④ around chassis tube.

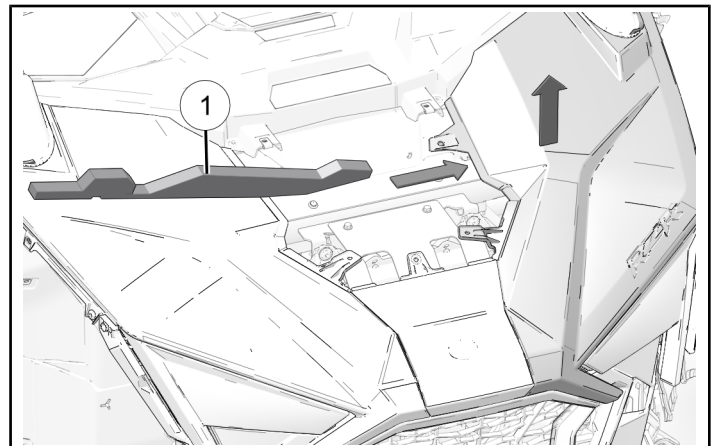


UPPER FENDER SEAL INSTALLATION

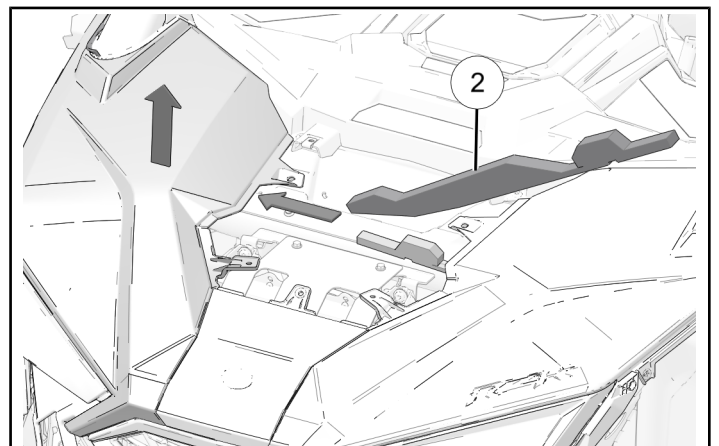
1. Remove and keep two fasteners and two push-pin rivets.



2. Lift upper fender upwards and slide hood seal ① under panel along chassis tube.



3. Lift upper fender upwards and slide hood seal ② under panel along chassis tube.



4. Reinstall two fasteners and two push-pin rivets. Torque two fasteners to specification.

TORQUE

Upper Fender Fasteners:
53 in-lbs (6 N·m)

SHROUD SEAL INSTALLATION

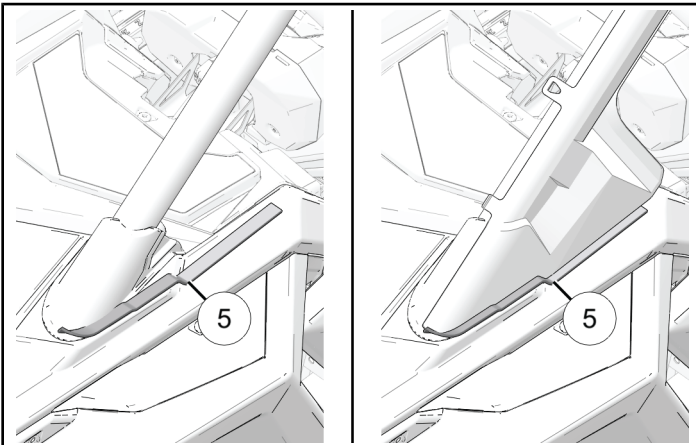
NOTE

Left side shown; right side similar.

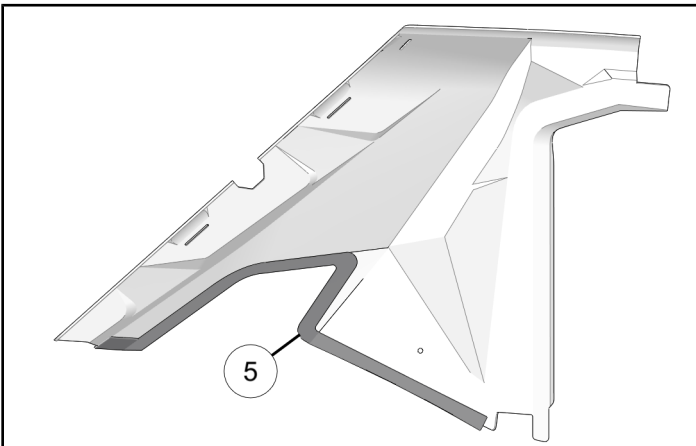
1. Put foam tape ⑤ along upper fender, extending from front of speaker boot along contours of the body plastic. Cut foam tape and apply to vehicle.

TIP

Place front shroud against roll-cage to verify correct placement for foam tape.



2. Use remaining foam tape ⑤ to apply to rear shroud.

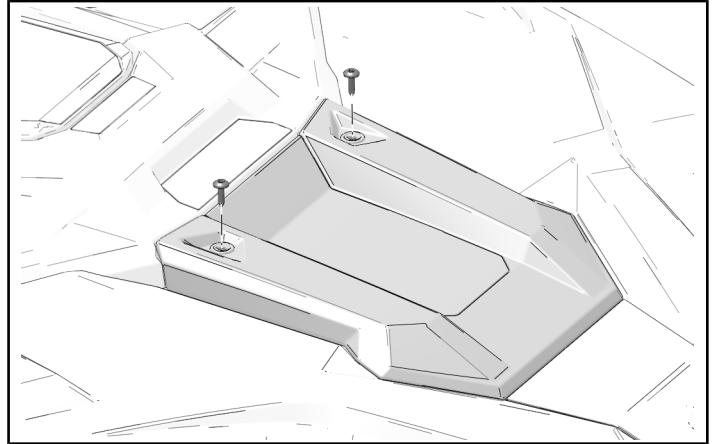


CENTER HOOD PANEL INSTALLATION

1. Move panel forward until tabs slide into front hood panel and install with two hood fasteners.

TORQUE

Hood Fasteners:
88 in-lbs (10 N·m)



FRONT FENDER INSTALLATION

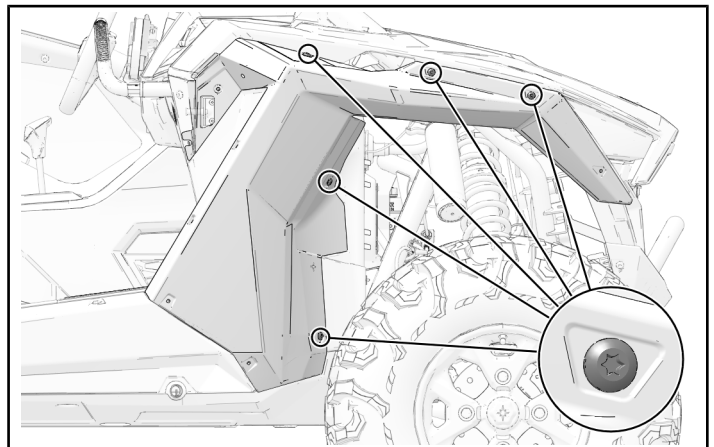
NOTICE

Right front fender shown; left front fender similar.

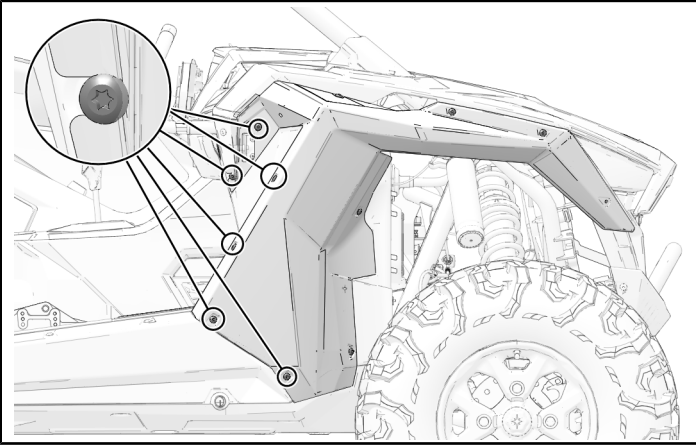
TIP

Fasteners in steps 1 and 2 are the same size.

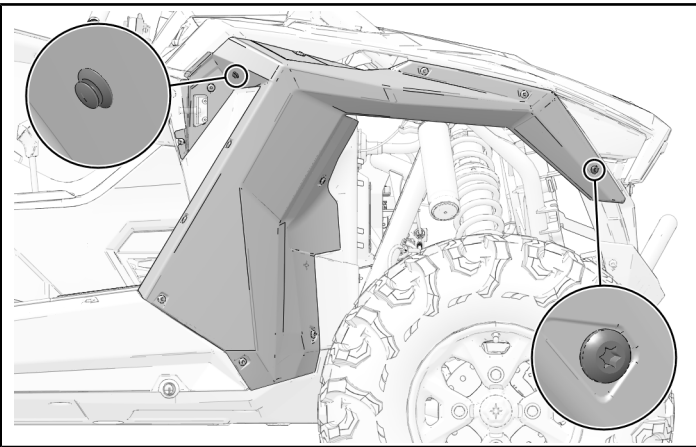
1. Align fender with vehicle and install five fasteners from front fender.



2. Install six fasteners at rear of front fender.



3. Install the most front fastener (shorter) and one push-pin rivet.



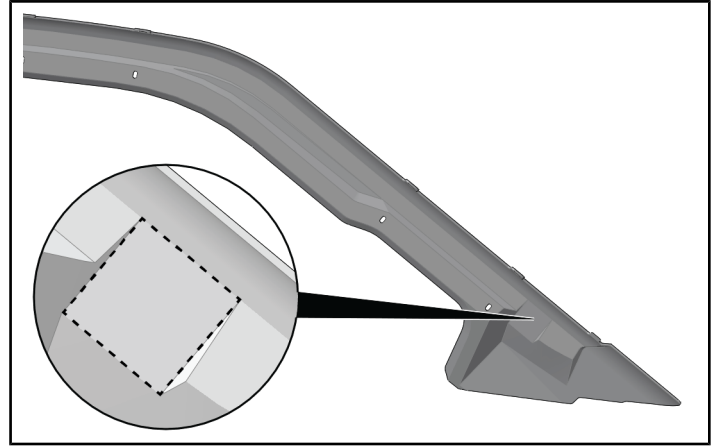
4. Torque all fender fasteners to specification.

TORQUE

Fender Fasteners:
89 in-lbs (10 N·m)

FRONT SHROUD PREPARATION

1. For mirror-equipped vehicles cut shroud where shown.

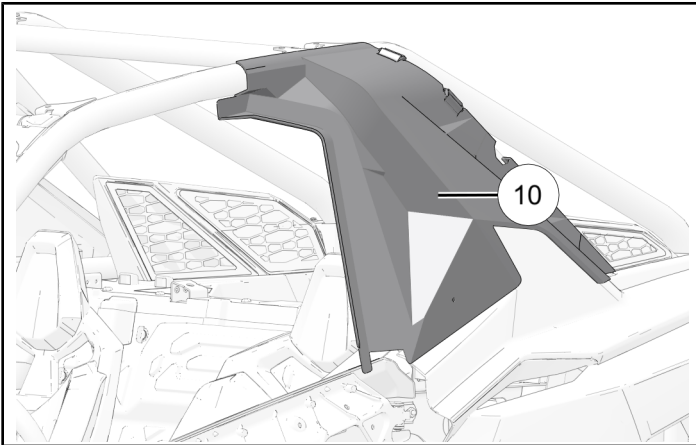


PLASTIC DOOR/ALUMINUM DOOR + UPPER DOOR INSTALLATION

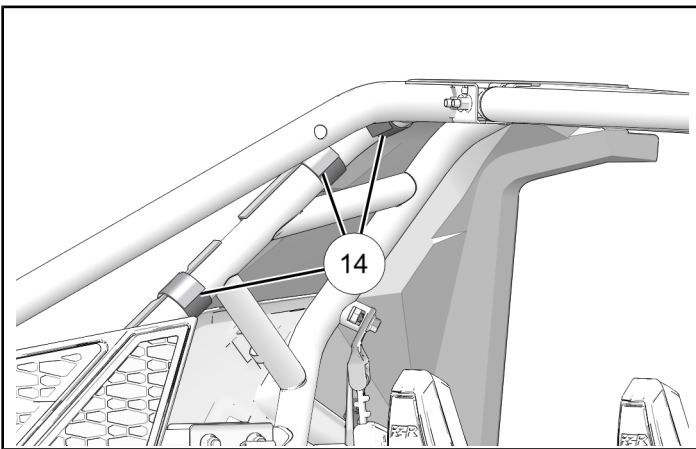
UPPER DOOR INSTALLATION

Shroud Installation

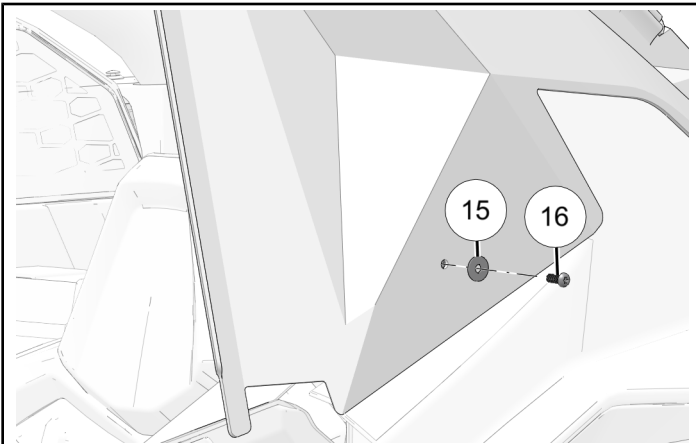
1. Align rear shroud ⑩ with roll-cage.



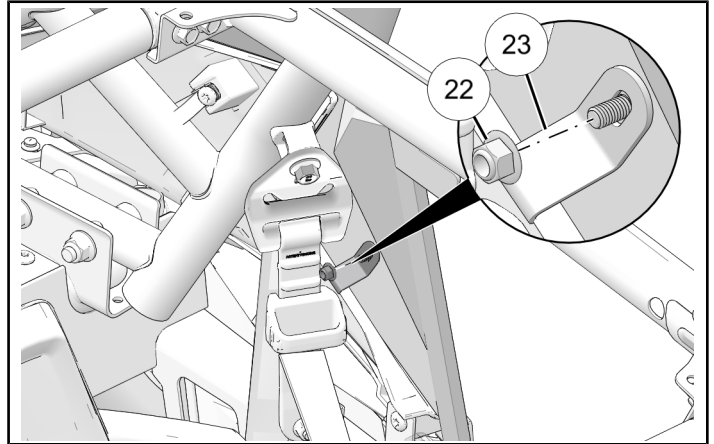
2. Attach rear shroud to roll cage with three hook-and-loops straps ⑭.



3. Put one fastener ⑯ through one washer ⑮ and rear shroud.



4. Hook Z-clip ⑳ onto rear body plastic and align with previously installed fastener. Secure with one nut ㉑.

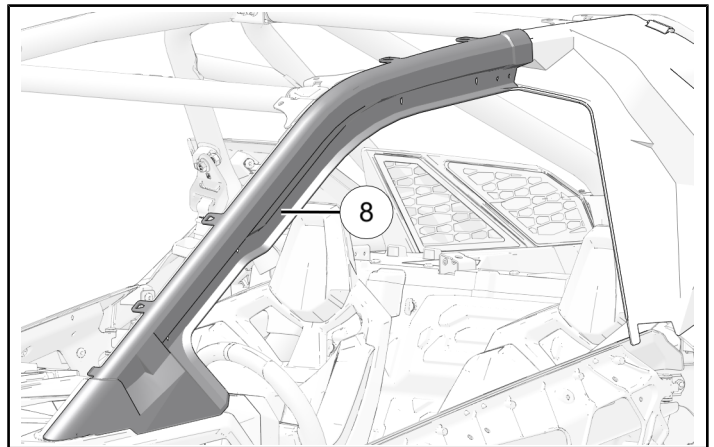


5. Counter-hold nut ㉒ and torque fastener ⑯ to specification.

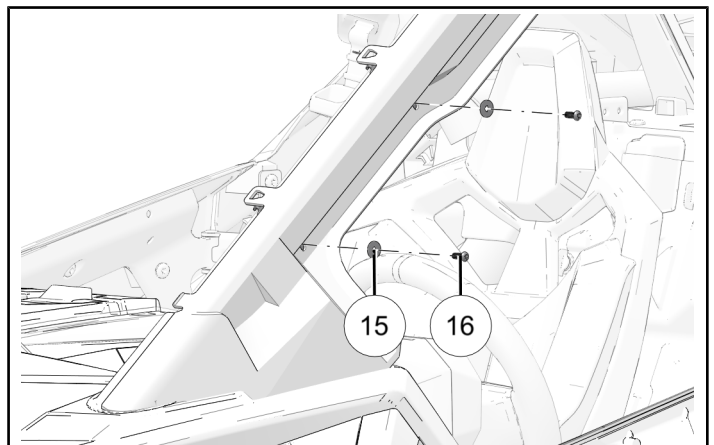
TORQUE

Shroud Fasteners ⑯:
35 in-lbs (4 N·m)

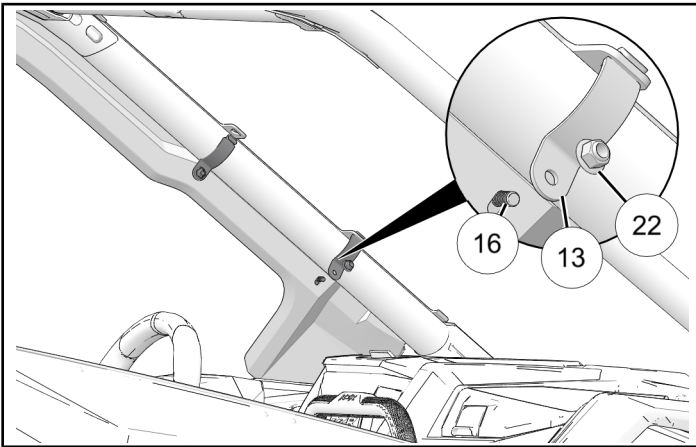
6. Align front shroud ⑧ with roll-cage.



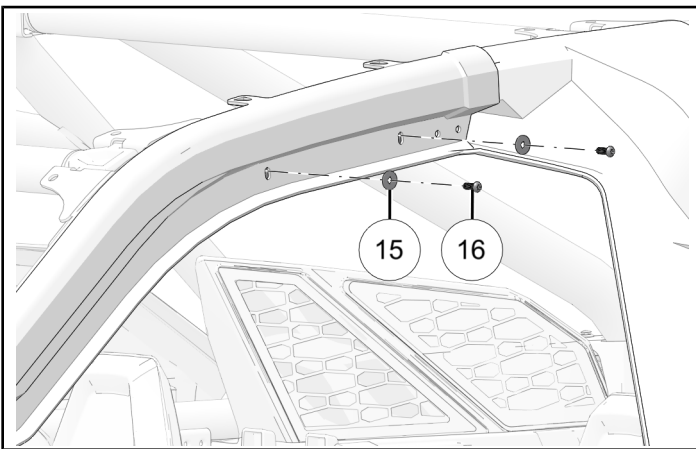
7. Put two fasteners ⑯ through two washers ⑮ and through front shroud.



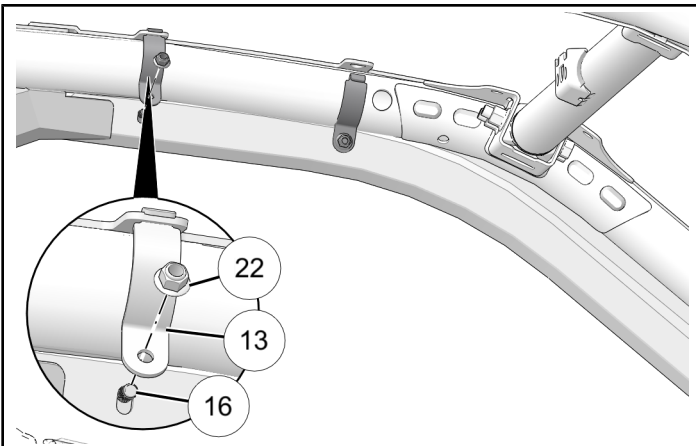
8. Hook shroud clip **13** onto shroud and align with fastener **16**. Secure with one nut **22**.



9. Put two fasteners **16** through two washers **15** and through front shroud.

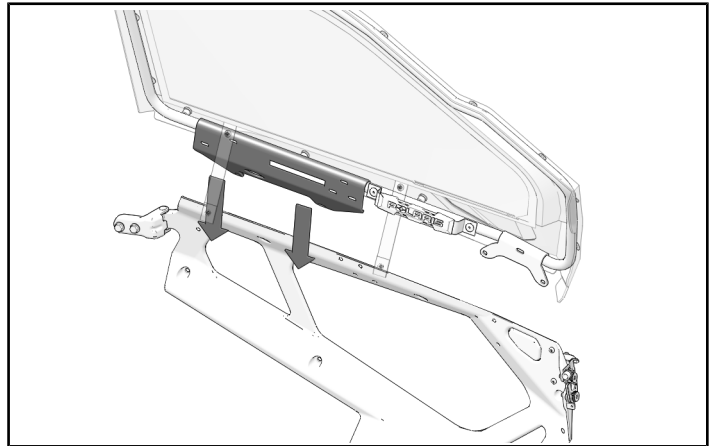


10. Hook each shroud clip **13** onto shroud and align with fastener **16**. Secure with one nut **22**.

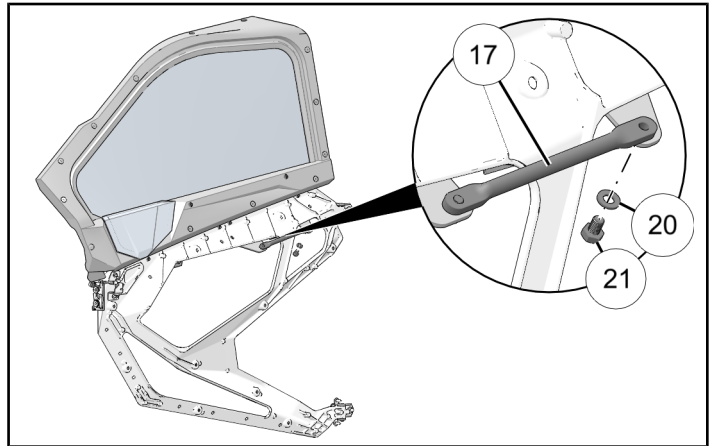


Upper Door Installation

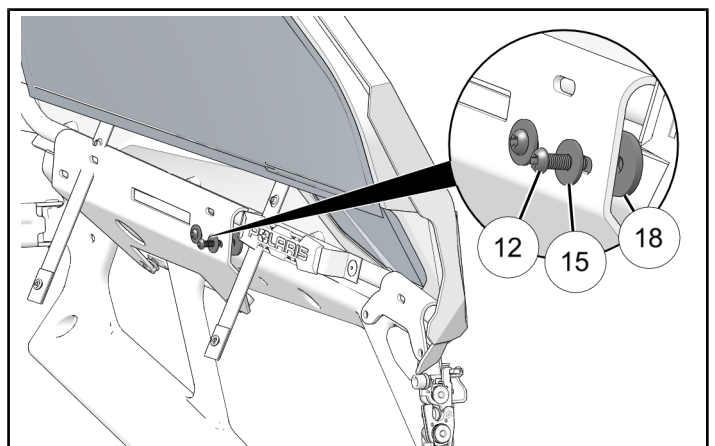
1. Put upper door panel against door frame.



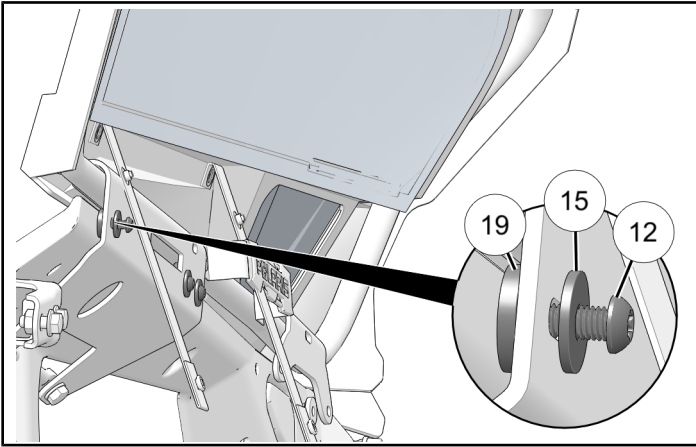
2. Hold door panel upright and install holding bar **17** with two fasteners **21** and two washers **20**.



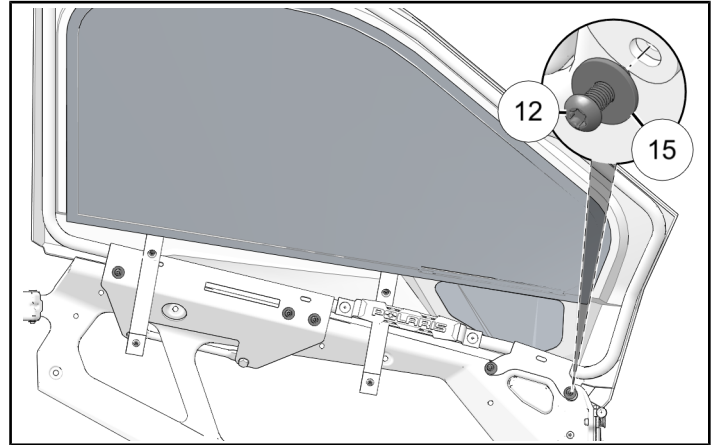
3. Put two door bracket fasteners **12** through four washers **15**, oval spacer **18**, and door frame.



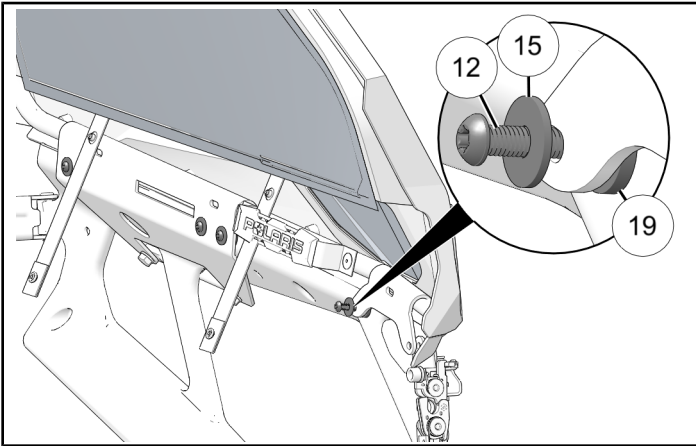
4. Put one door bracket fastener ⑫ through one washer ⑮, one spacer ⑲, and door frame.



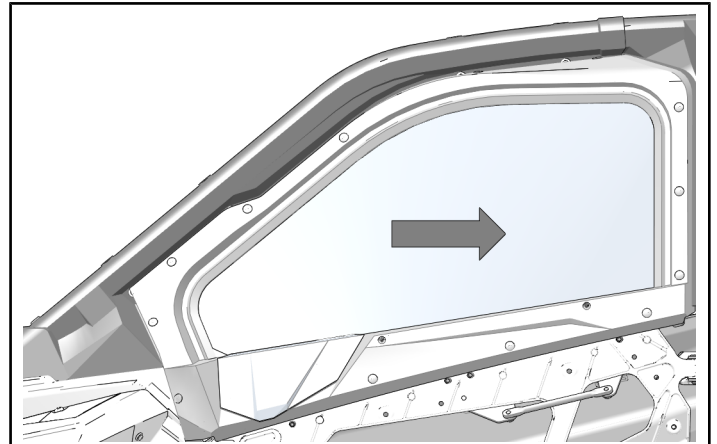
7. Install front-most part of door panel with one fastener ⑫ and one washer ⑮.



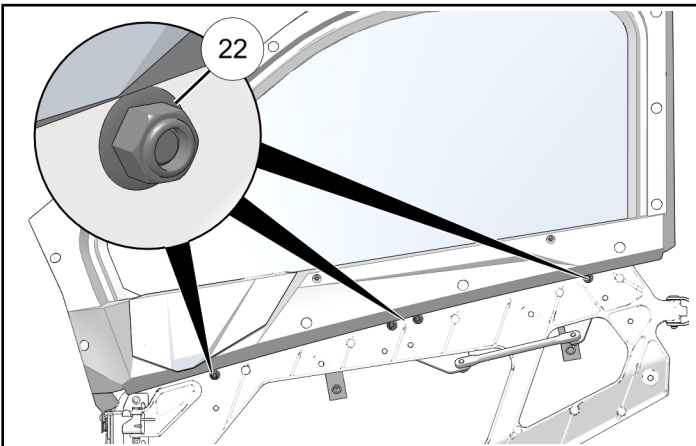
5. Put one door bracket fastener ⑫ through one washer ⑮, one spacer ⑲, and door frame.



8. Move door assembly to most-rearward position, making sure door seals firmly against front and rear shroud.



6. Secure door bracket fasteners with four nuts ⑳.



9. Counter-hold nuts ⑳ (where applicable) and torque five fasteners ⑫ to specification

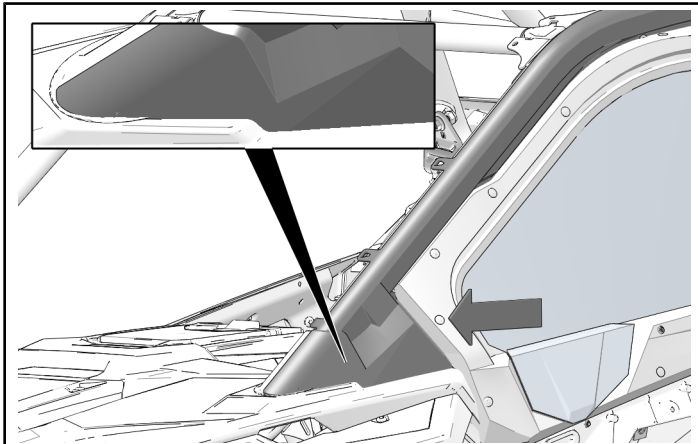
TORQUE
Door Bracket Fasteners ⑫: 8 ft-lbs (11 N·m)

10. Torque two holding bar fasteners ㉑ to specification.

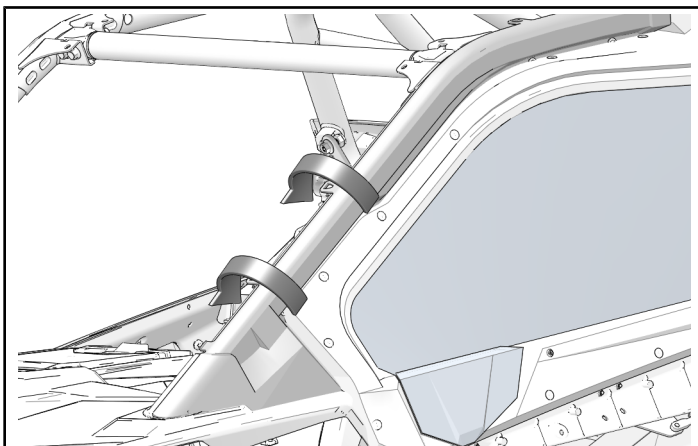
TORQUE
Holding Bar Fasteners ㉑: 13 ft-lbs (18 N·m)

Shroud Adjustment

1. Make sure front shroud seal is firmly against contours of upper fender and tweeter boot.



2. Front shroud may need to be twisted slightly inward for shroud to seal tightly against vehicle.



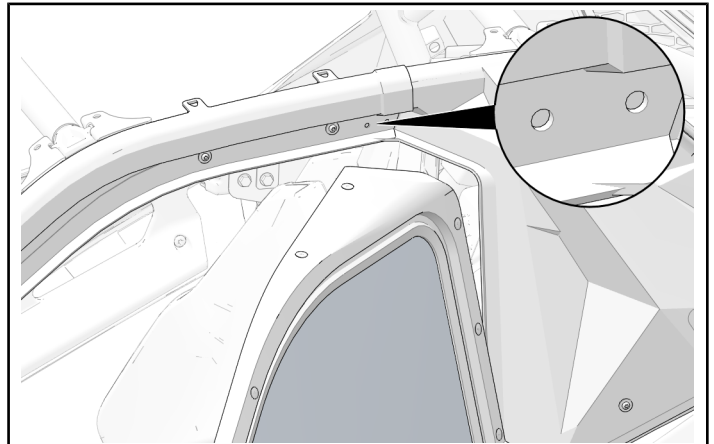
3. Counter-hold nuts ② and torque shroud fasteners ⑩ to specification.

TORQUE

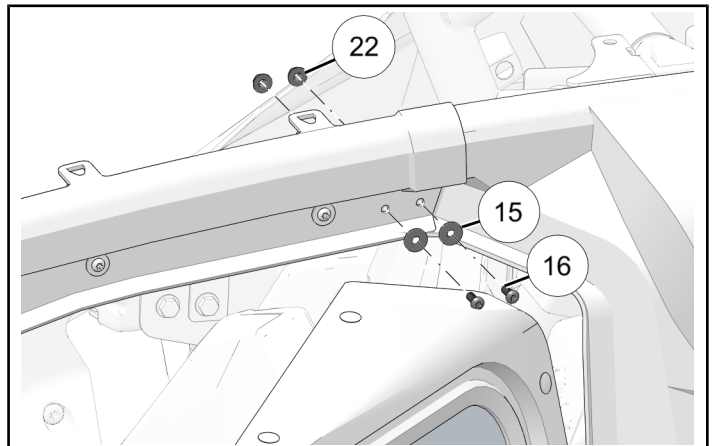
Shroud Fasteners ⑩:
35 in-lbs (4 N·m)

Shroud Installation Continued

1. Use front shroud as a template to drill two **1/4 in (6.5 mm)** holes through overlapping rear shroud.



2. Install front shroud to rear shroud with two fasteners ⑩, two washers ⑮, and two nuts ②.



3. Counter-hold nuts ② and torque two shroud fasteners ⑩ to specification.

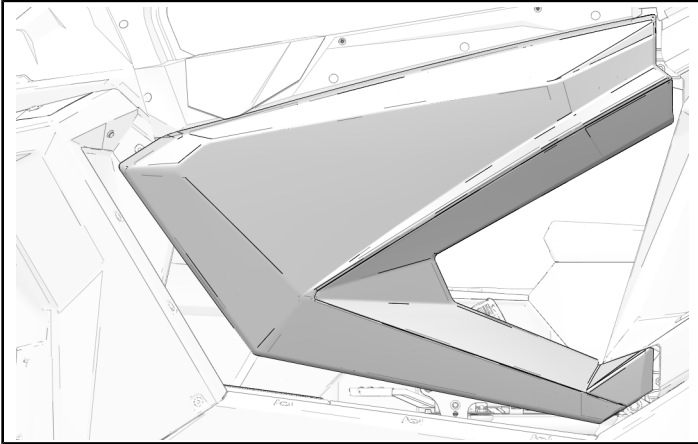
TORQUE

Shroud Fasteners ⑩:
35 in-lbs (4 N·m)

DOOR PANEL INSTALLATION

Plastic Door Installation

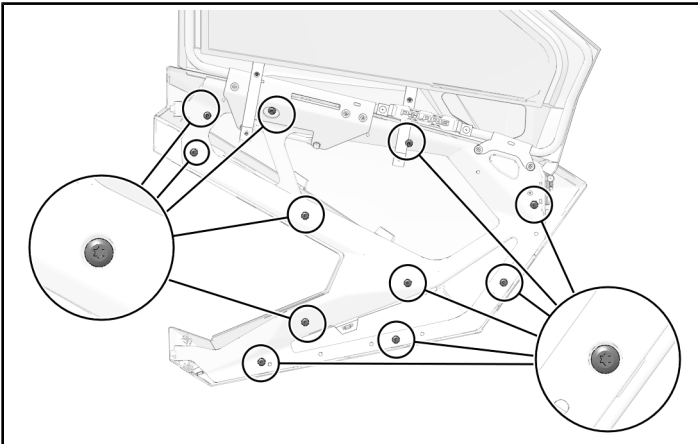
1. Align door panel with door frame.



2. From inside of door, install door panel with eleven door panel fasteners.

TORQUE

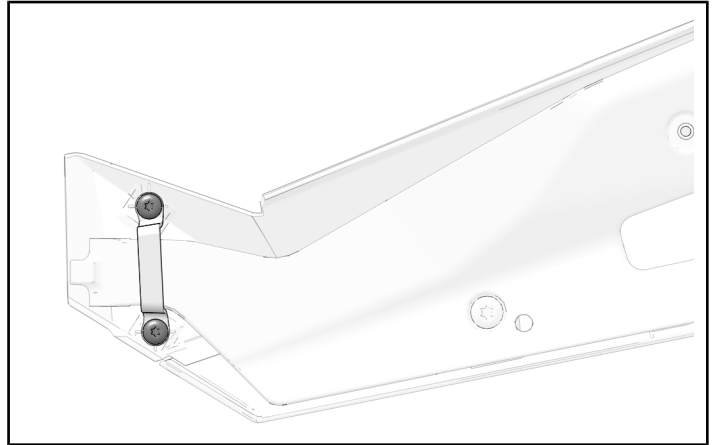
Door Panel Fasteners:
35 in-lbs (4 N·m)



3. Install trim bracket with two bracket fasteners.

TORQUE

Trim Bracket Fasteners:
18 in-lbs (2 N·m)



Aluminum Door Installation

Refer to *Aluminum Door Kit* installation instructions.

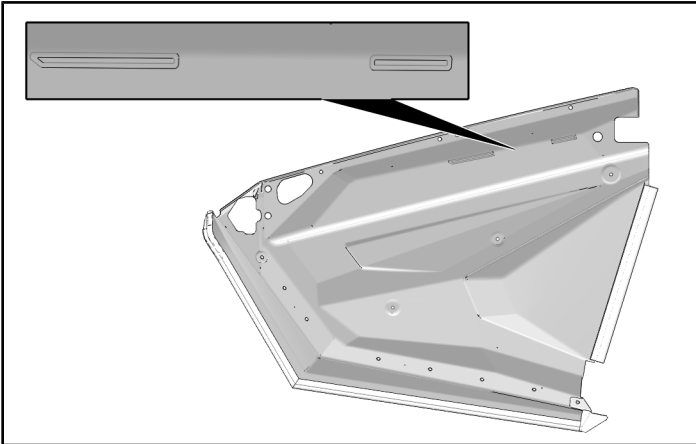
PLASTIC DOOR + INNER DOOR + UPPER DOOR INSTALLATION

NOTICE

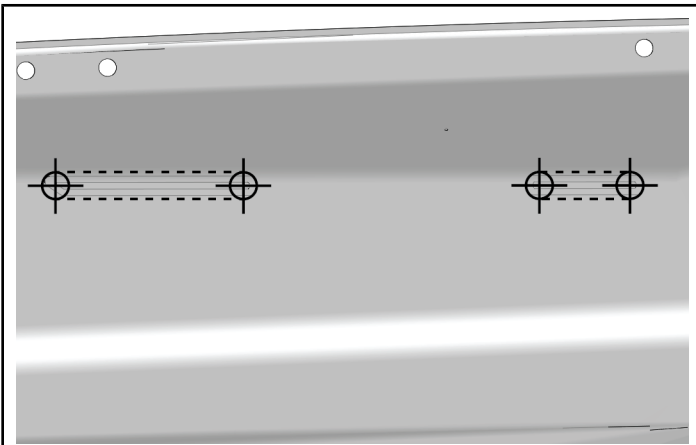
Left door shown; right door similar.

PREPARE INNER DOOR FOR UPPER DOOR

1. Identify embossed lines on inner door panel.

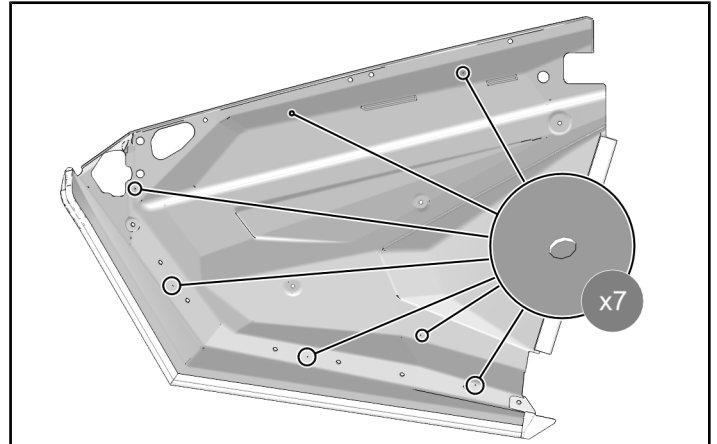


2. Drill one **3/4" (19 mm)** hole at each end of rectangular embossed lines. Cut remaining plastic, between drilled holes, with utility knife or equivalent.



PREPARE INNER DOOR FOR PLASTIC DOOR

1. Identify and drill seven embossed drill marks on inner door panel. Drill one **3/4 in (19.0 mm)** hole at each drill point mark.



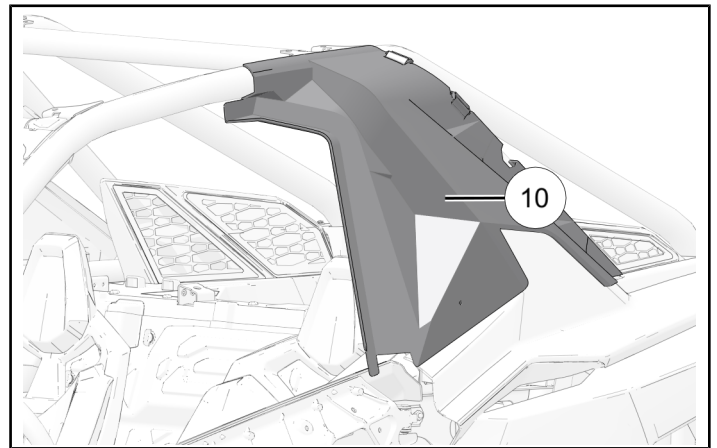
INNER DOOR INSTALLATION

Refer to *Inner Door Kit* installation instructions.

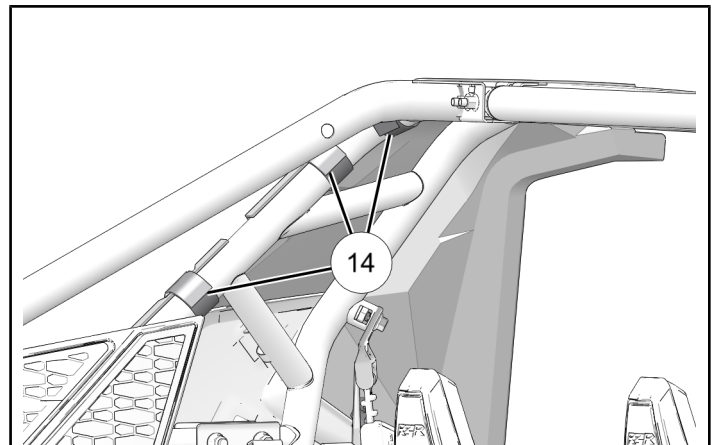
UPPER DOOR INSTALLATION

Shroud Installation

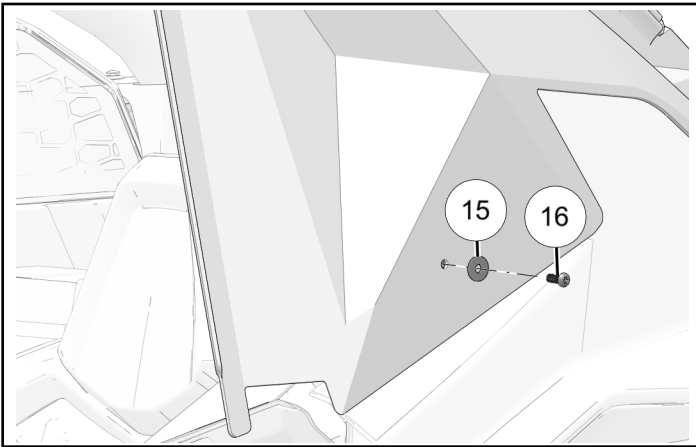
1. Align rear shroud ⑩ with roll-cage.



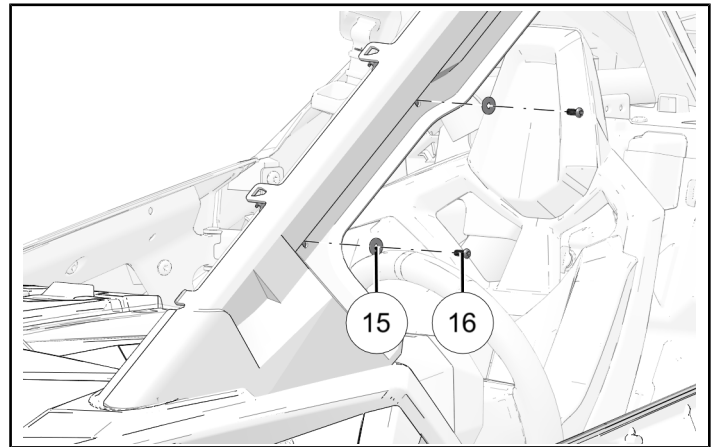
2. Attach rear shroud to roll cage with three hook-and-loops straps ⑭.



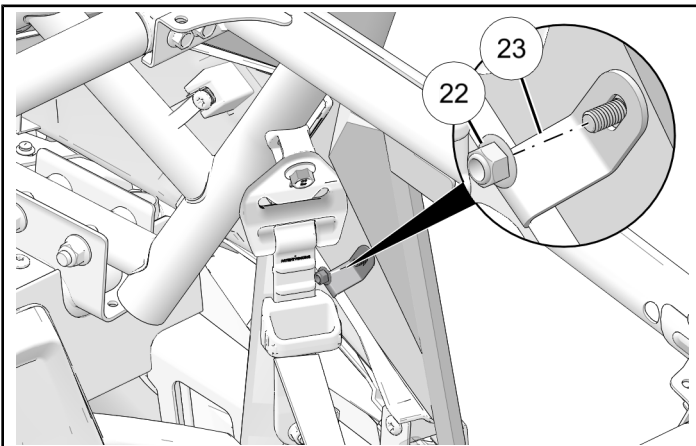
3. Put one fastener ⑯ through one washer ⑮ and rear shroud.



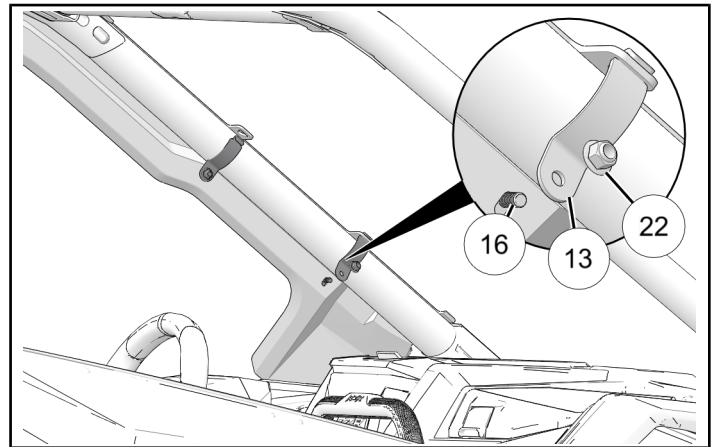
7. Put two fasteners ⑯ through two washers ⑮ and through front shroud.



4. Hook Z-clip ㉓ onto rear body plastic and align with previously installed fastener. Secure with one nut ㉒.



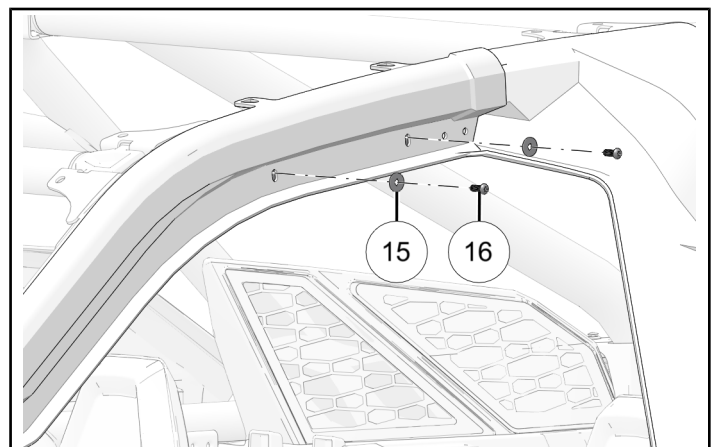
8. Hook shroud clip ⑬ onto shroud and align with fastener ⑯. Secure with one nut ㉒.



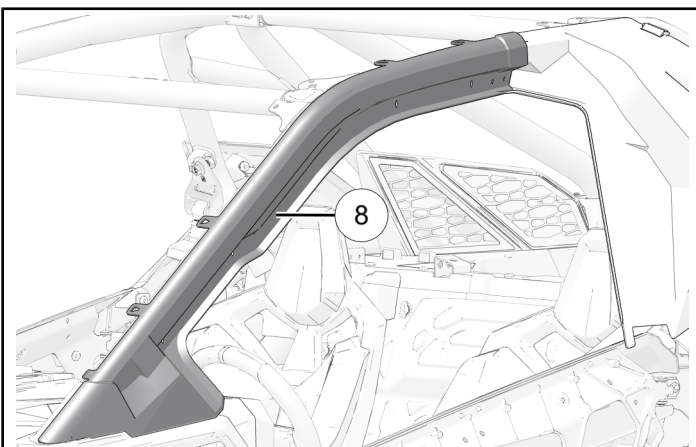
5. Counter-hold nut ㉒ and torque fastener ⑯ to specification.

TORQUE
Shroud Fasteners ⑯: 35 in-lbs (4 N·m)

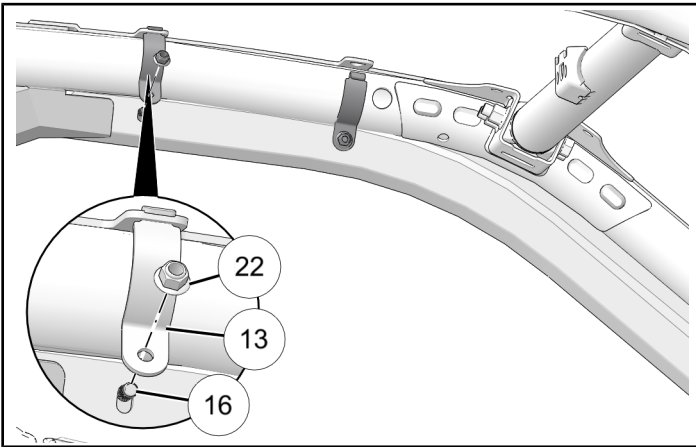
9. Put two fasteners ⑯ through two washers ⑮ and through front shroud.



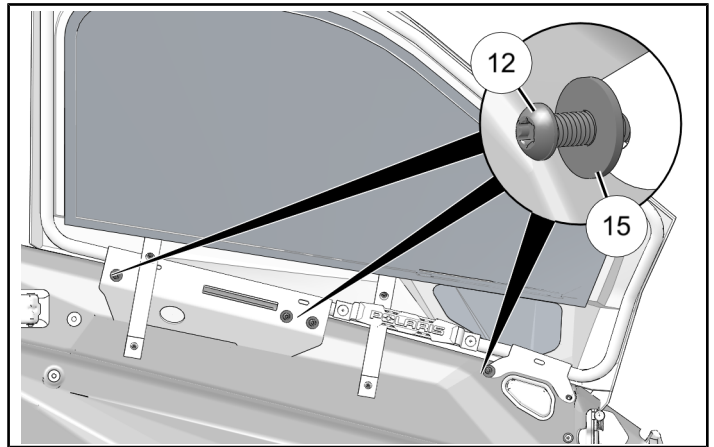
6. Align front shroud ⑧ with roll-cage.



10. Hook each shroud clip ⑬ onto shroud and align with fastener ⑯. Secure with one nut ⑳.

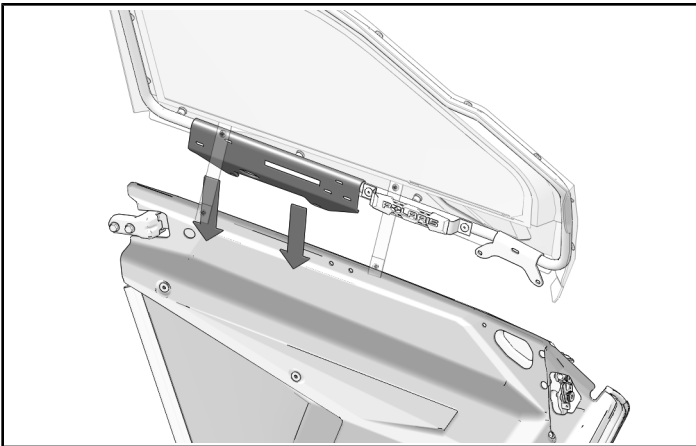


3. Put four door bracket fasteners ⑫ through four washers ⑮, inner door panel, and door frame.

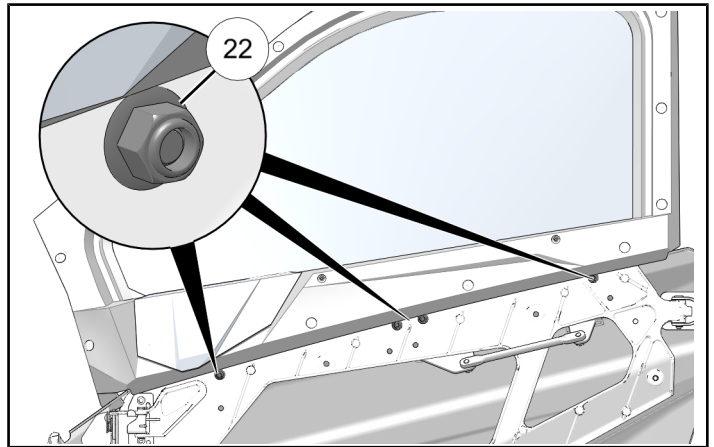


Upper Door Installation

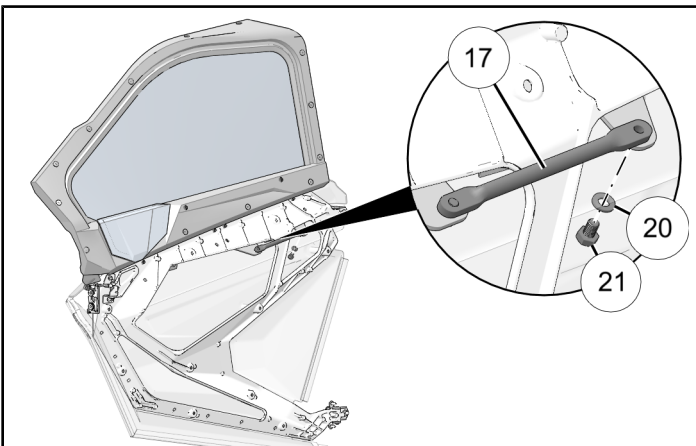
1. Put upper door panel into inner door panel cut-outs.



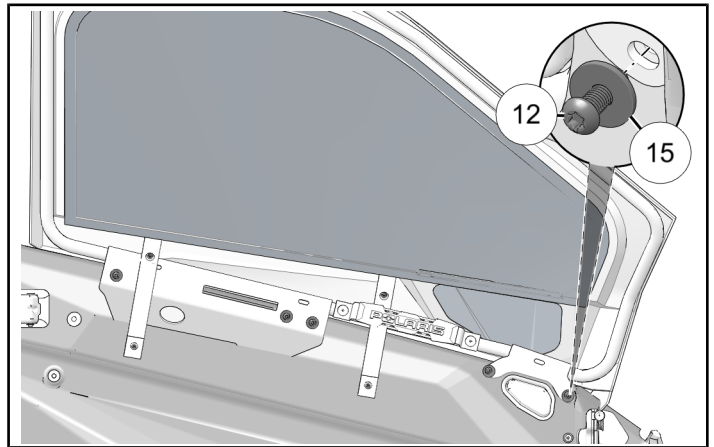
4. Secure door bracket fasteners with four nuts ㉔.



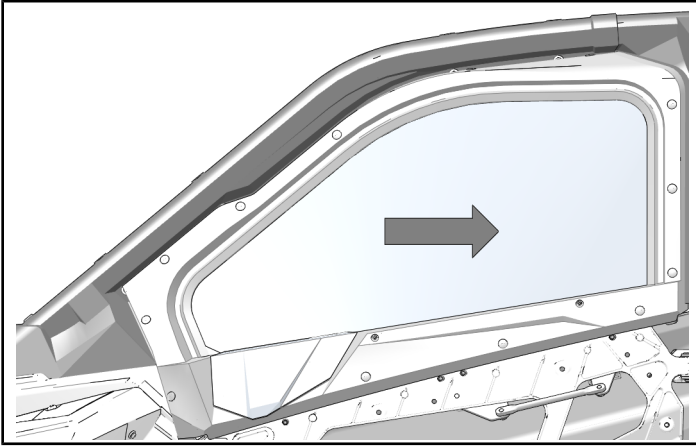
2. Hold door panel upright and install holding bar ⑰ with two fasteners ㉑ and two washers ⑳.



5. Install front-most part of door panel with one fastener ⑫ and one washer ⑮.



6. Move door assembly to most-rearward position, making sure door seals firmly against front and rear shroud.



7. Counter-hold nuts ⑫ (where applicable) and torque five fasteners ⑬ to specification.

TORQUE

Door Bracket Fasteners ⑬:
8 ft-lbs (11 N·m)

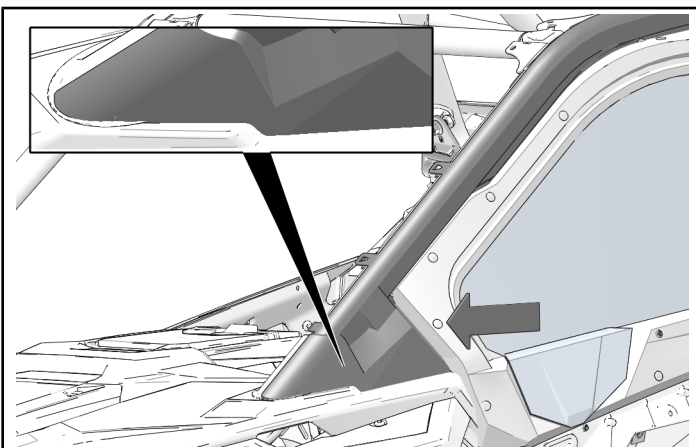
8. Torque two holding bar fasteners ⑳ to specification.

TORQUE

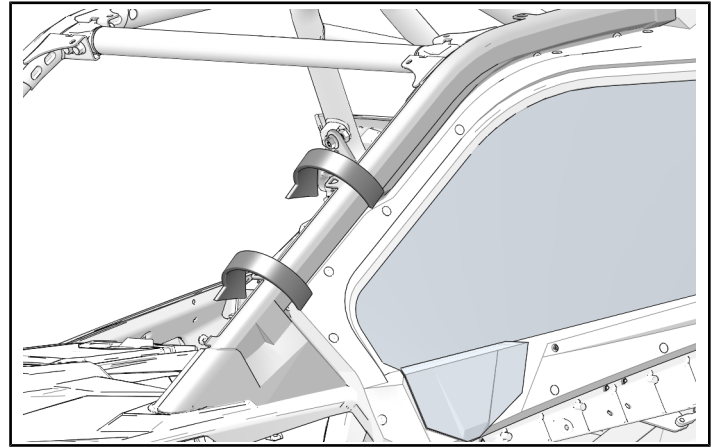
Holding Bar Fasteners ⑳:
13 ft-lbs (18 N·m)

Shroud Adjustment

1. Make sure front shroud seal is firmly against contours of upper fender and tweeter boot.



2. Front shroud may need to be twisted slightly inward for shroud to seal tightly against vehicle.



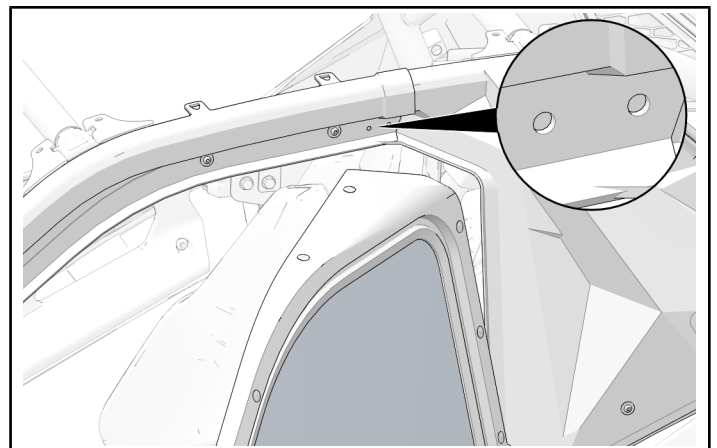
3. Counter-hold nuts ⑭ and torque shroud fasteners ⑮ to specification.

TORQUE

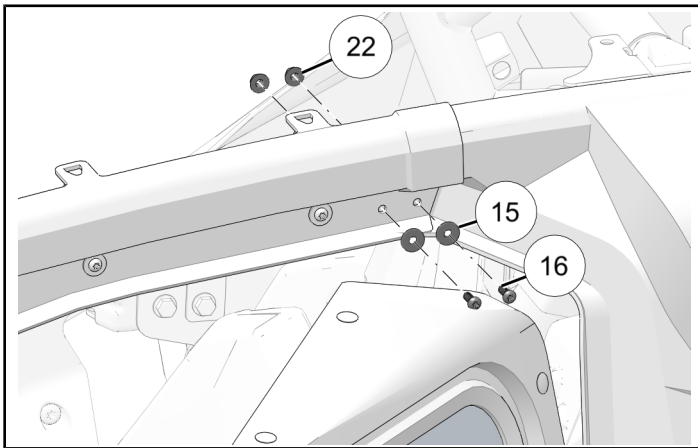
Shroud Fasteners ⑮:
35 in-lbs (4 N·m)

Shroud Installation Continued

1. Use front shroud as a template to drill two 1/4 in (6.5 mm) holes through overlapping rear shroud.



2. Install front shroud to rear shroud with two fasteners ⑩, two washers ⑮, and two nuts ⑳.



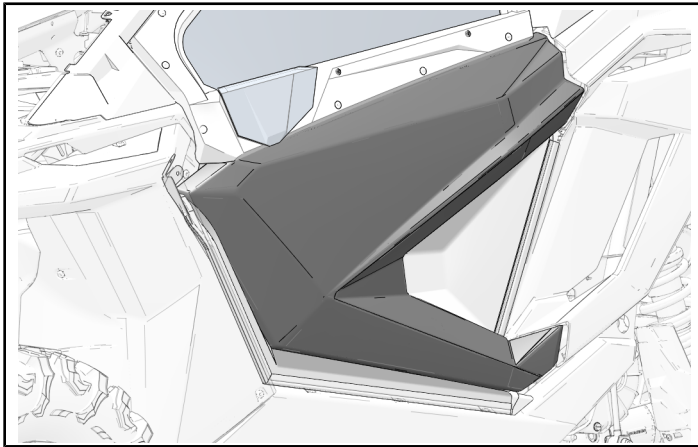
3. Counter-hold nuts ⑳ and torque two shroud fasteners ⑩ to specification.

TORQUE

Shroud Fasteners ⑩:
35 in-lbs (4 N·m)

PLASTIC DOOR INSTALLATION

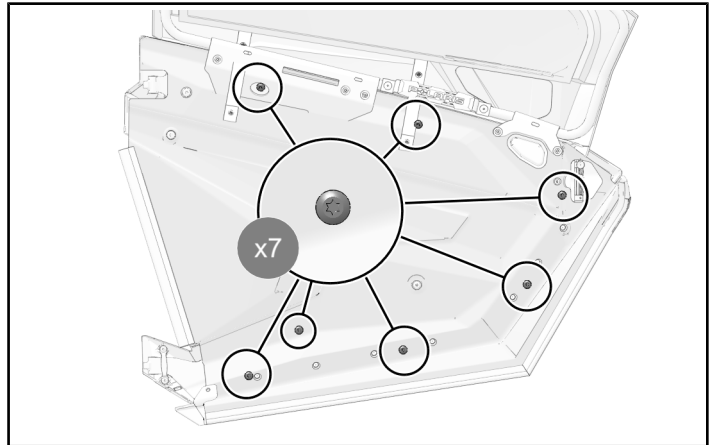
1. Align door panel with door frame.



2. From inside of door, install door panel with seven door panel fasteners.

TORQUE

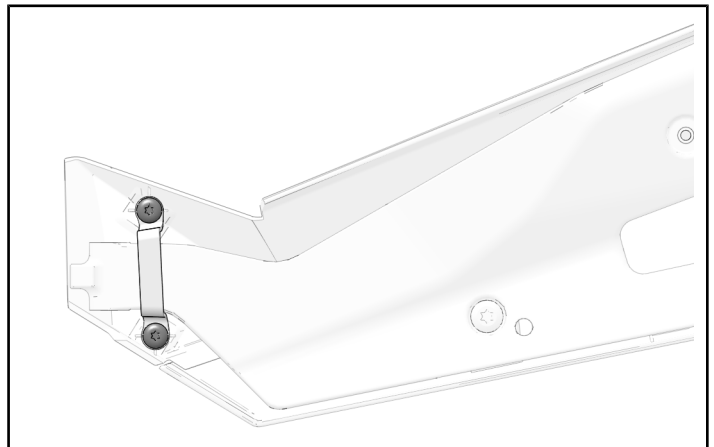
Door Panel Fasteners:
35 in-lbs (4 N·m)



3. Install trim bracket with two bracket fasteners.

TORQUE

Trim Bracket Fasteners:
18 in-lbs (2 N·m)



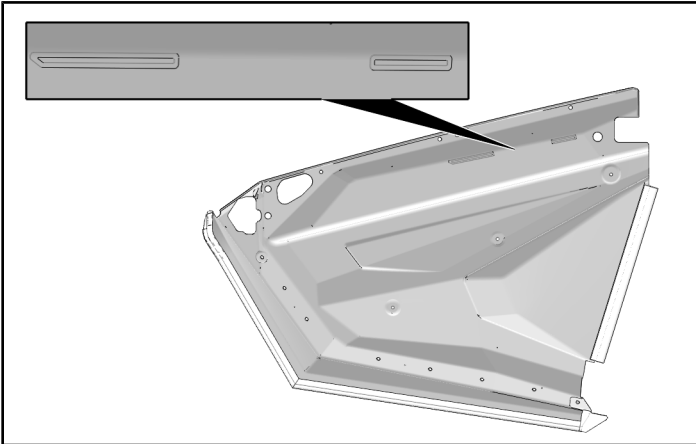
ALUMINUM DOOR + INNER DOOR + UPPER DOOR INSTALLATION

NOTICE

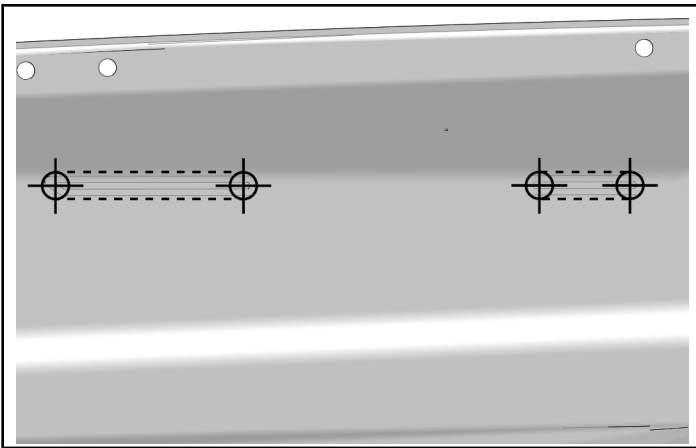
Left door shown; right door similar.

PREPARE INNER DOOR FOR UPPER DOOR

1. Identify embossed lines on inner door panel.



2. Drill one **3/4" (19 mm)** hole at each end of rectangular embossed lines. Cut remaining plastic, between drilled holes, with utility knife or equivalent.



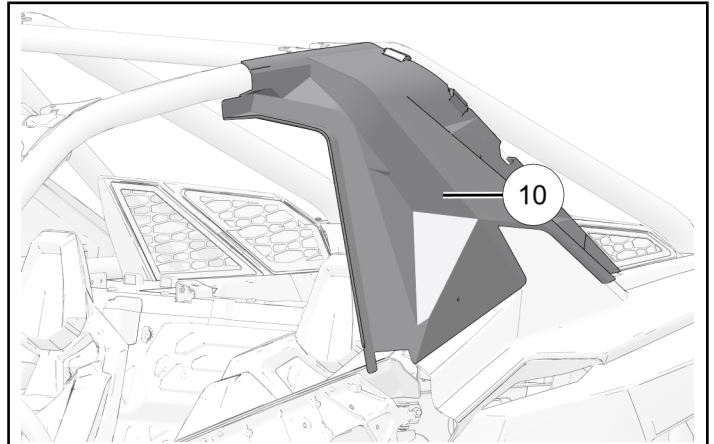
INNER DOOR INSTALLATION

Refer to *Inner Door Kit* installation instructions.

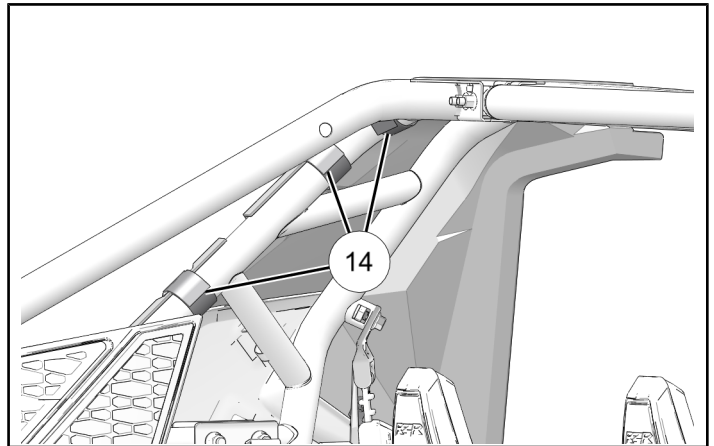
UPPER DOOR INSTALLATION

Shroud Installation

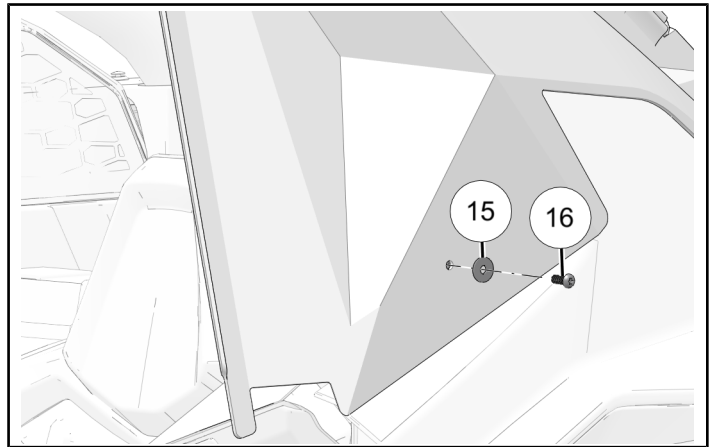
1. Align rear shroud ⑩ with roll-cage.



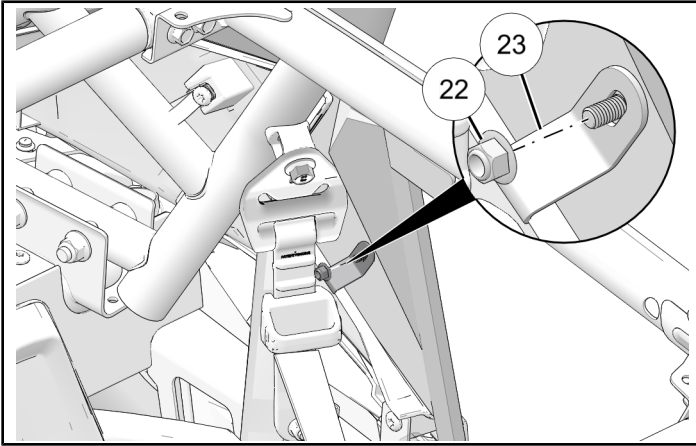
2. Attach rear shroud to roll cage with three hook-and-loops straps ⑭.



3. Put one fastener ⑯ through one washer ⑮ and rear shroud.



4. Hook Z-clip ⑬ onto rear body plastic and align with previously installed fastener. Secure with one nut ⑳.

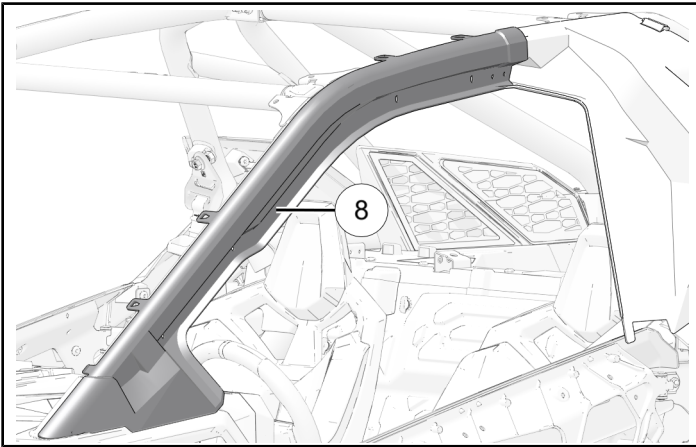


5. Counter-hold nut ⑳ and torque fastener ⑯ to specification.

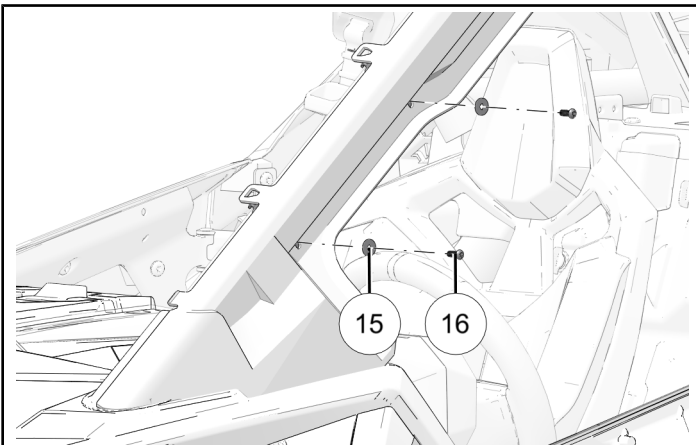
TORQUE

Shroud Fasteners ⑯:
35 in-lbs (4 N·m)

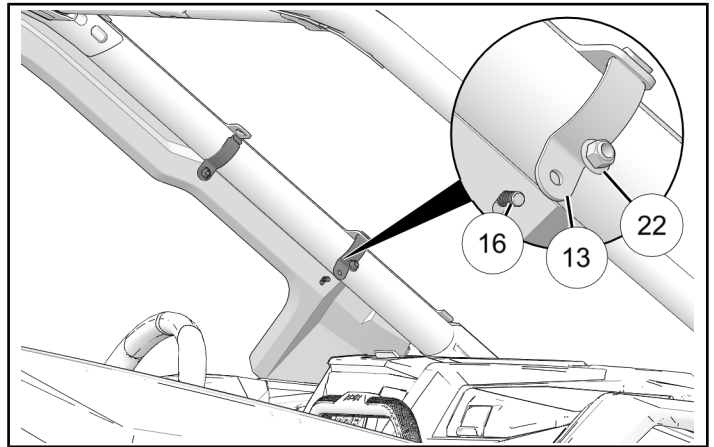
6. Align front shroud ⑧ with roll-cage.



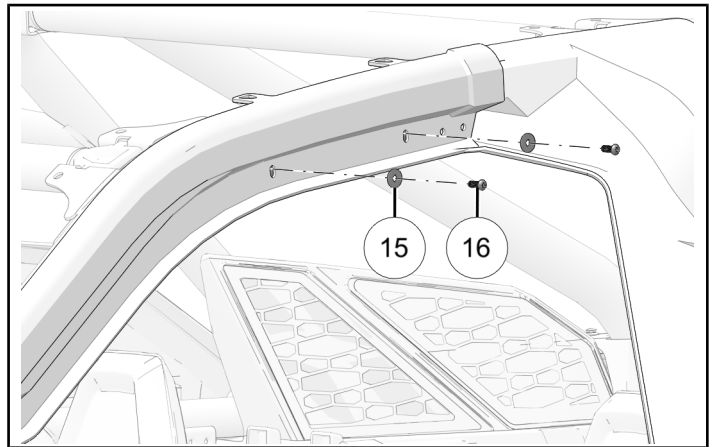
7. Put two fasteners ⑯ through two washers ⑮ and through front shroud.



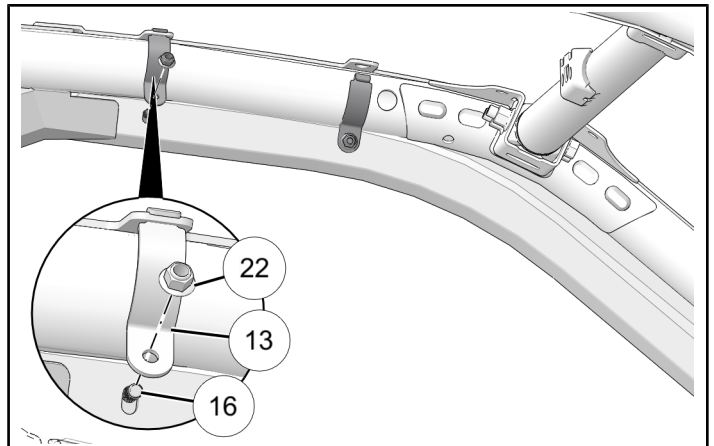
8. Hook shroud clip ⑬ onto shroud and align with fastener ⑯. Secure with one nut ⑳.



9. Put two fasteners ⑯ through two washers ⑮ and through front shroud.

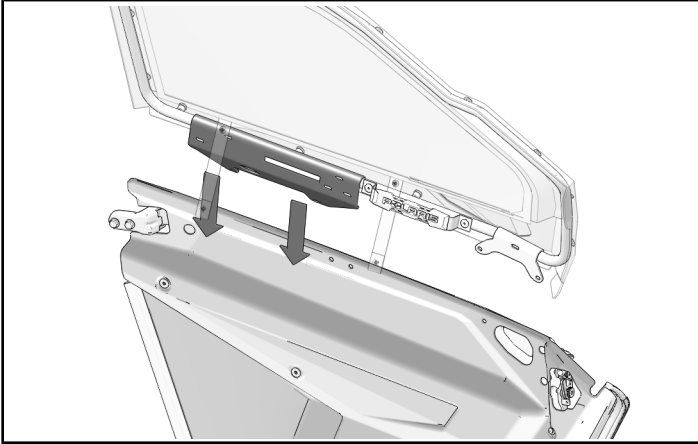


10. Hook each shroud clip ⑬ onto shroud and align with fastener ⑯. Secure with one nut ⑳.

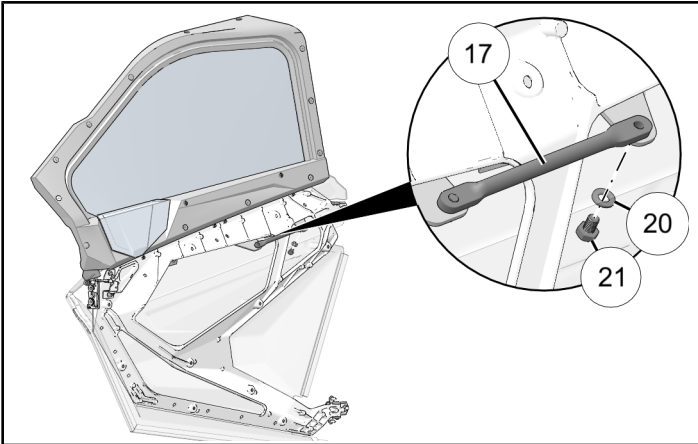


Upper Door Installation

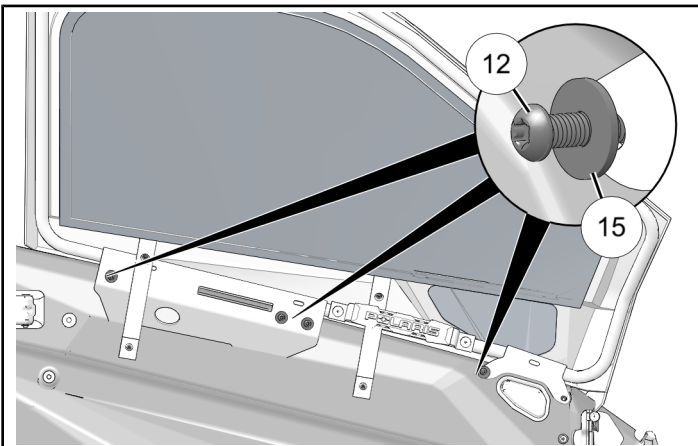
1. Put upper door panel into inner door panel cut-outs.



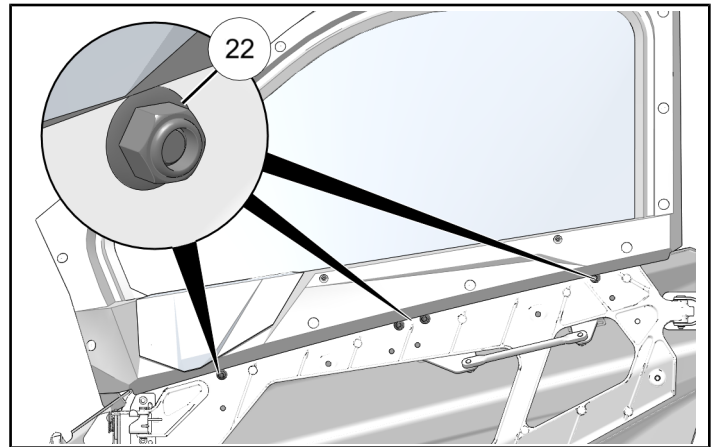
2. Hold door panel upright and install holding bar ⑰ with two fasteners ⑳ and two washers ㉑.



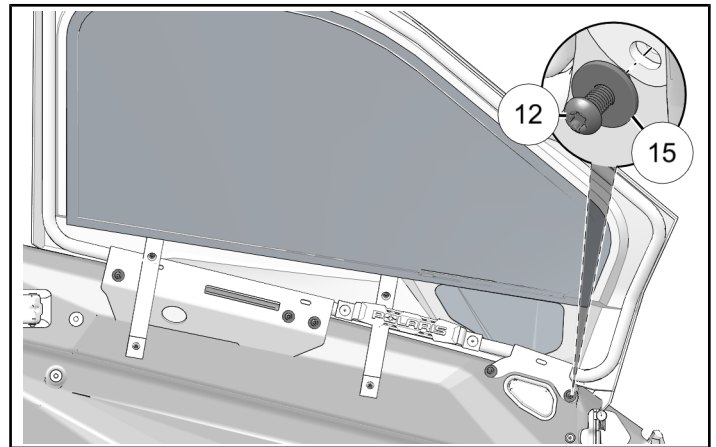
3. Put four door bracket fasteners ⑫ through four washers ⑮, inner door panel, and door frame.



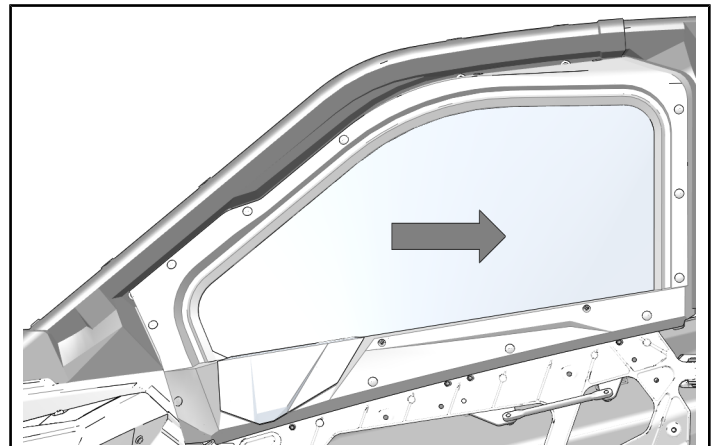
4. Secure door bracket fasteners with four nuts ㉒.



5. Install front-most part of door panel with one fastener ⑫ and one washer ⑮.



6. Move door assembly to most-rearward position, making sure door seals firmly against front and rear shroud.



7. Counter-hold nuts ㉒ (where applicable) and torque five fasteners ⑫ to specification.

TORQUE

Door Bracket Fasteners ⑫:
8 ft-lbs (11 N·m)

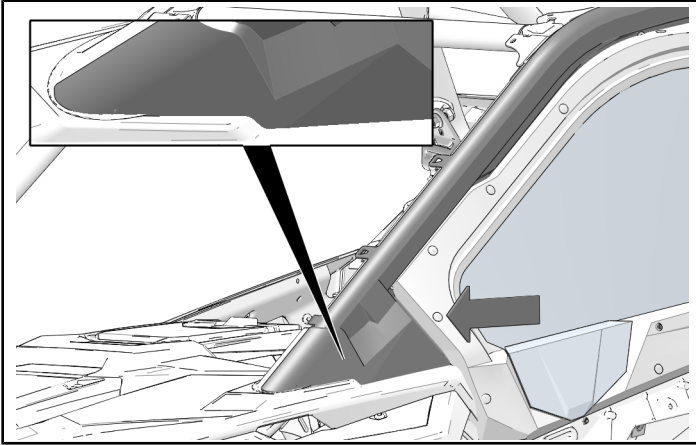
- Torque two holding bar fasteners ⑳ to specification.

TORQUE

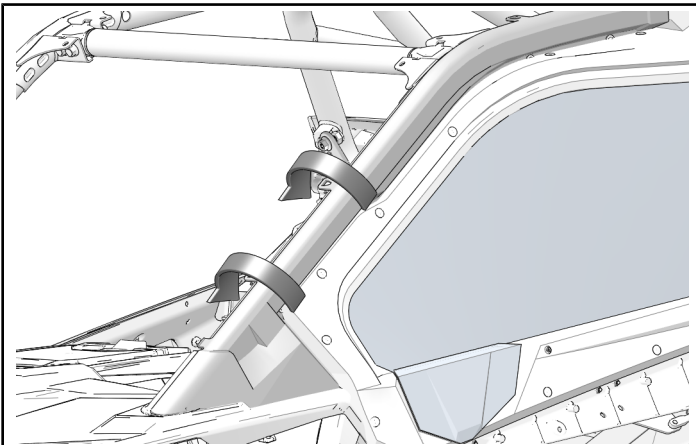
Holding Bar Fasteners ⑳:
13 ft-lbs (18 N·m)

Shroud Adjustment

- Make sure front shroud seal is firmly against contours of upper fender and tweeter boot.



- Front shroud may need to be twisted slightly inward for shroud to seal tightly against vehicle.



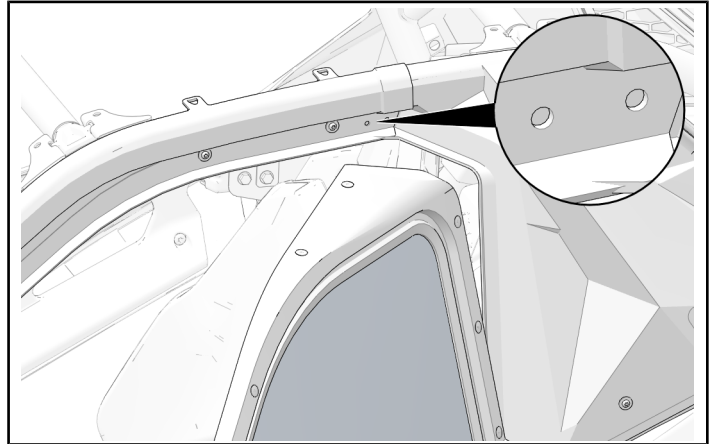
- Counter-hold nuts ㉑ and torque shroud fasteners ⑳ to specification.

TORQUE

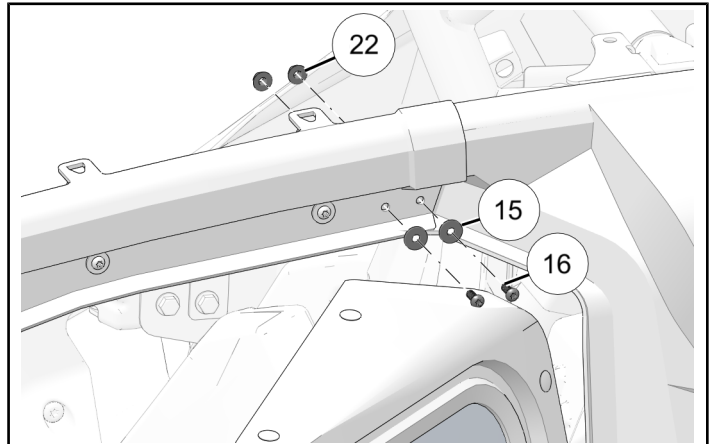
Shroud Fasteners ⑳:
35 in-lbs (4 N·m)

Shroud Installation Continued

- Use front shroud as a template to drill two **1/4 in (6.5 mm)** holes through overlapping rear shroud.



- Install front shroud to rear shroud with two fasteners ⑳, two washers ㉓, and two nuts ㉑.



- Counter-hold nuts ㉑ and torque two shroud fasteners ⑳ to specification.

TORQUE

Shroud Fasteners ⑳:
35 in-lbs (4 N·m)

ALUMINUM DOOR INSTALLATION

Refer to *Inner Door Kit* and *Aluminum Door Kit* installation instructions.

INSTRUCTION FEEDBACK FORM

A feedback form has been created for the installer to provide any comments, questions or concerns about the installation instructions. The form is viewable on mobile devices by scanning the QR code or by clicking [HERE](#) if viewing on a PC.

