

MIRROR KIT



P/N 2884815; 2890103

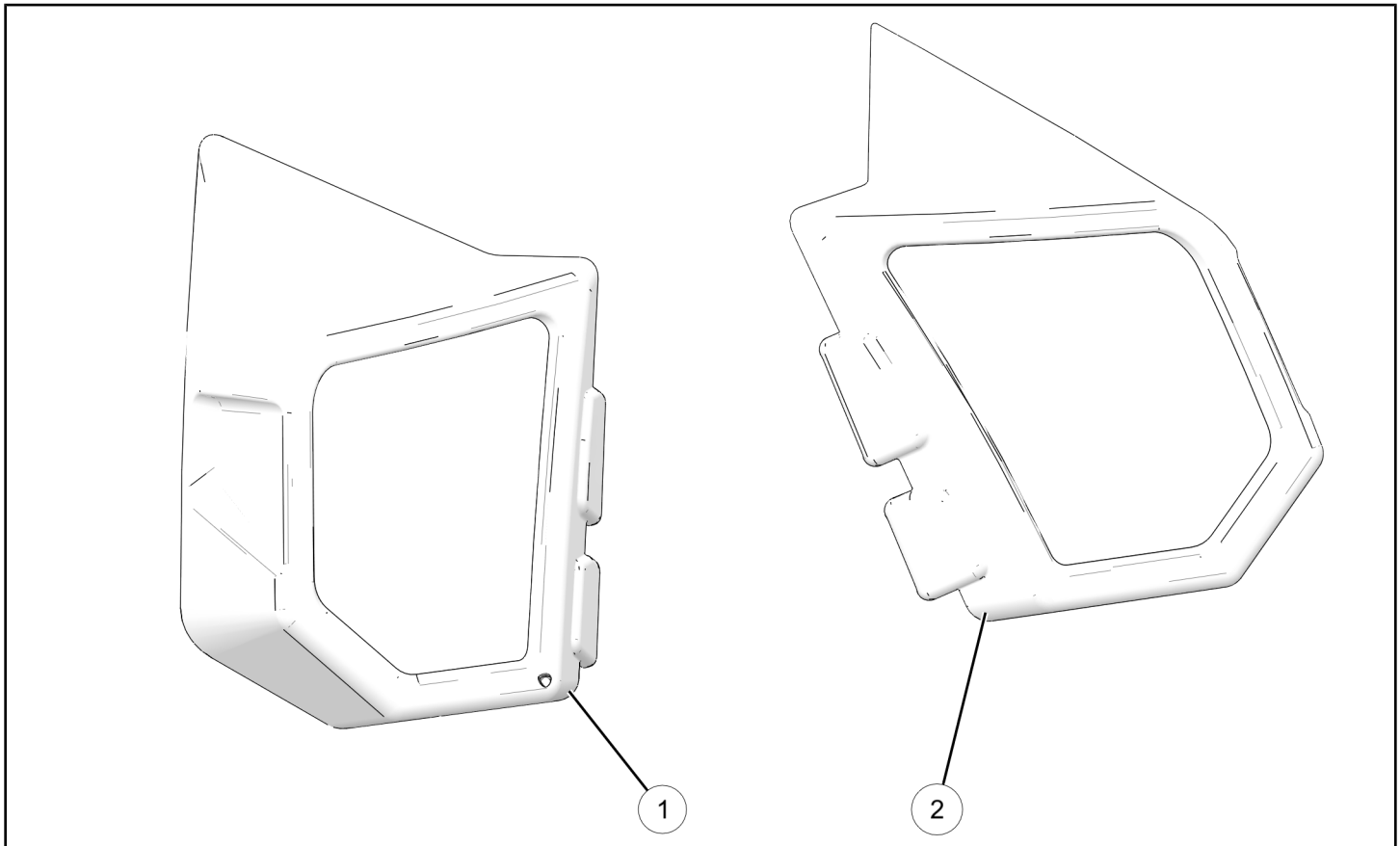
APPLICATION

Verify accessory fitment at www.polaris.com

BEFORE YOU BEGIN

Read these instructions and check to be sure all parts and tools are accounted for. Please retain these installation instructions for future reference and parts ordering information.

KIT CONTENTS



REF	QTY	PART DESCRIPTION	P/N AVAILABLE SEPARATELY
1	1	LH Mirror Assembly	n/a
2	1	RH Mirror Assembly	n/a

TOOLS REQUIRED

- None

CONSUMABLES REQUIRED

- Cleaning Solution (99% water + 1% mild dishwashing detergent)
- Lint Free Rag, Non-Abrasive (or equivalent)

IMPORTANT

Your Mirror Kit is exclusively designed for your vehicle. Please read the installation instructions thoroughly before beginning. Installation is easier if the vehicle is clean and free of debris. For your safety, and to ensure a satisfactory installation, perform all installation steps correctly in the sequence shown.

INSTALLATION INSTRUCTIONS

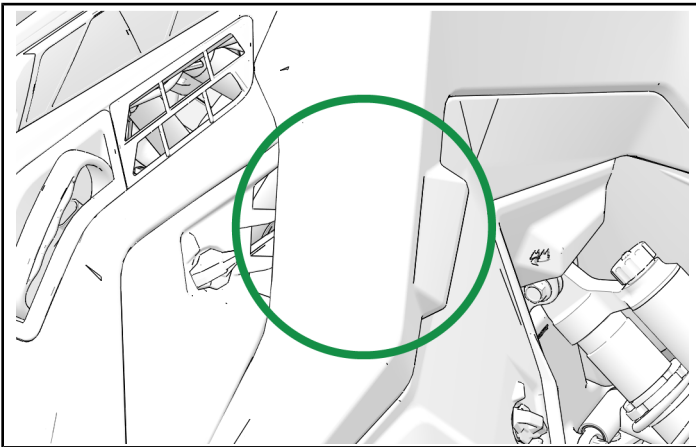
VEHICLE PREPARATION

GENERAL

1. Ensure vehicle is on a flat, stable surface.
2. Turn key to "OFF" position and remove from vehicle.
3. Clean the area where the mirror will be mounted on both sides of vehicle with a lint free cloth and mild cleaning solution. (RH side shown)

IMPORTANT

It is critical to ensure the surface that the mirror will be mounted on is clean and free of all debris. This will allow the adhesive to properly adhere to the vehicle.



ACCESSORY INSTALLATION

NOTE

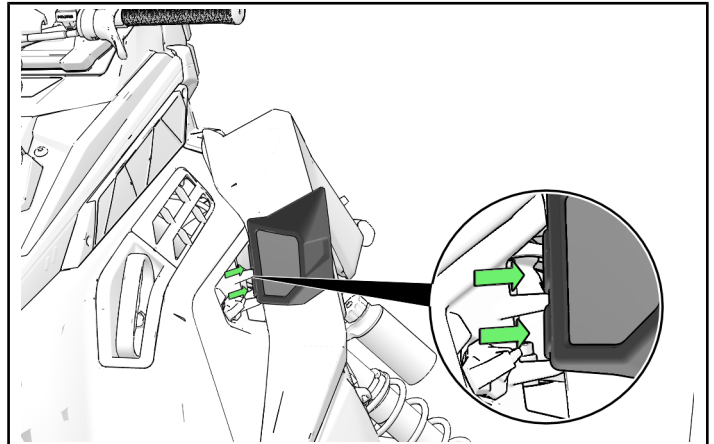
Mirrors should be applied indoors, free from dust, dirt, cold air and humidity. Room temperature must be between 40°F and 100°F (4°-38°C).

1. Remove protective cover from the adhesive backed tape on the back side of the mirror.

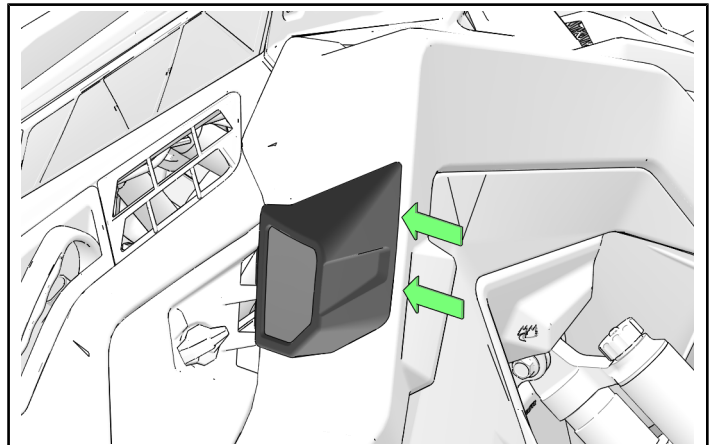
2. Align tabs on the mirror with the top two slots in the side panel of the vehicle as shown.

NOTE

The mirrors have a very aggressive adhesive backing. Be sure the mirror is aligned accurately before applying any direct pressure.



3. Once tabs are fully engaged with the slots, press firmly inward on the mirror for 20 seconds. This will allow enough time for the mirror to adhere to the vehicle.



4. Repeat steps 1-3 for opposite side.

VEHICLE REASSEMBLY

GENERAL

1. Check to make sure all steps have been completed and mirrors are fully adhered to vehicle.

FEEDBACK FORM

A feedback form has been created for the installer to provide any comments, questions or concerns about the installation instructions. The form is viewable on mobile devices by scanning the QR code or by clicking [HERE](#) if viewing on a PC.

