

# WINDSHIELD WIPER KIT



P/N 2884755

## BEFORE YOU BEGIN

Read these instructions and check to be sure all parts and tools are accounted for. Please retain these installation instructions for future reference and parts ordering information.

## APPLICATION

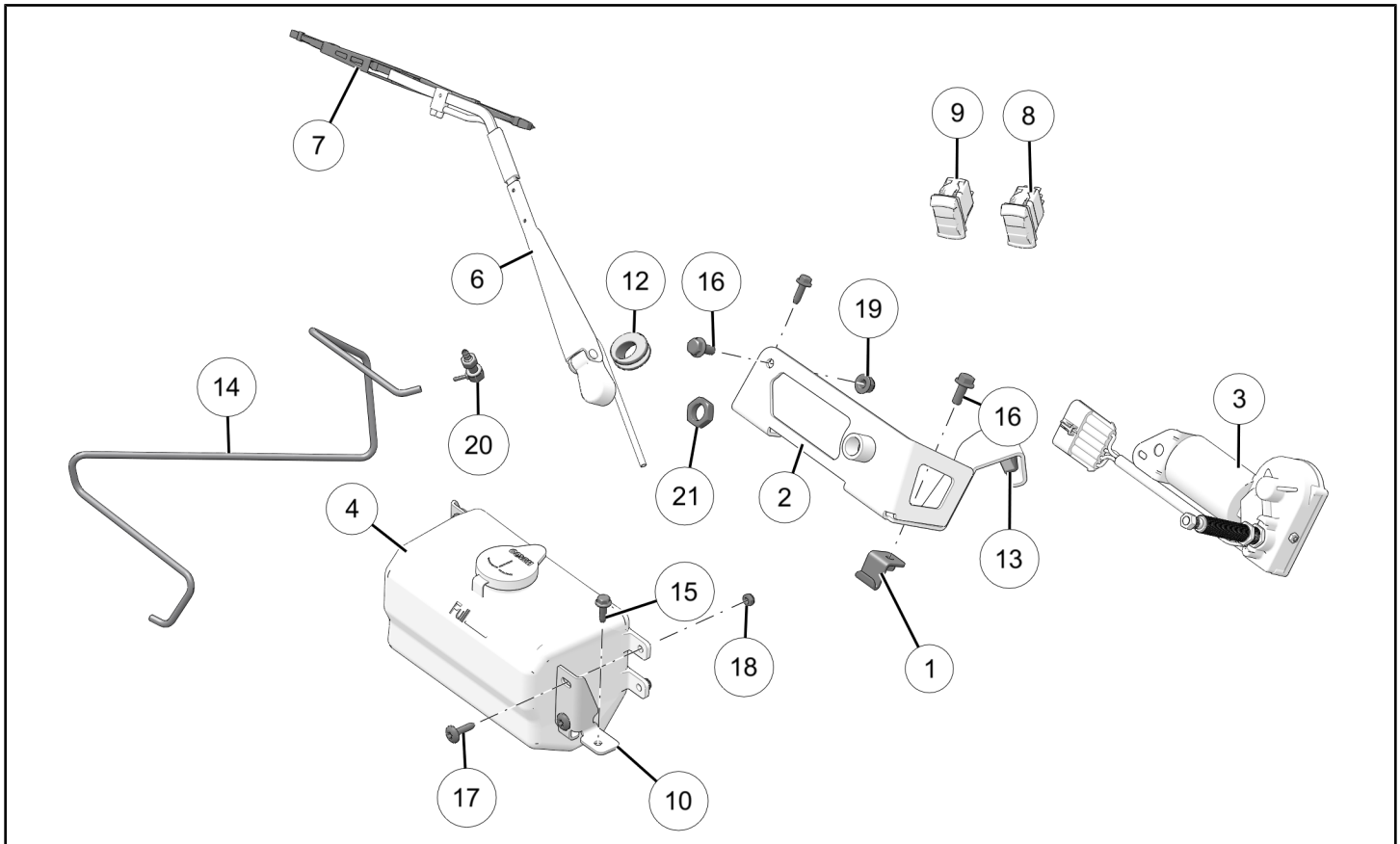
Verify accessory fitment at [www.polaris.com](http://www.polaris.com).

## REQUIRED SOLD SEPARATELY

Only parts for installation of the Windshield Wiper Kit are included. Prior installation of the following additional kits is also required (sold separately):

- Glass Windshield Kit, P/N 2884756

## KIT CONTENTS

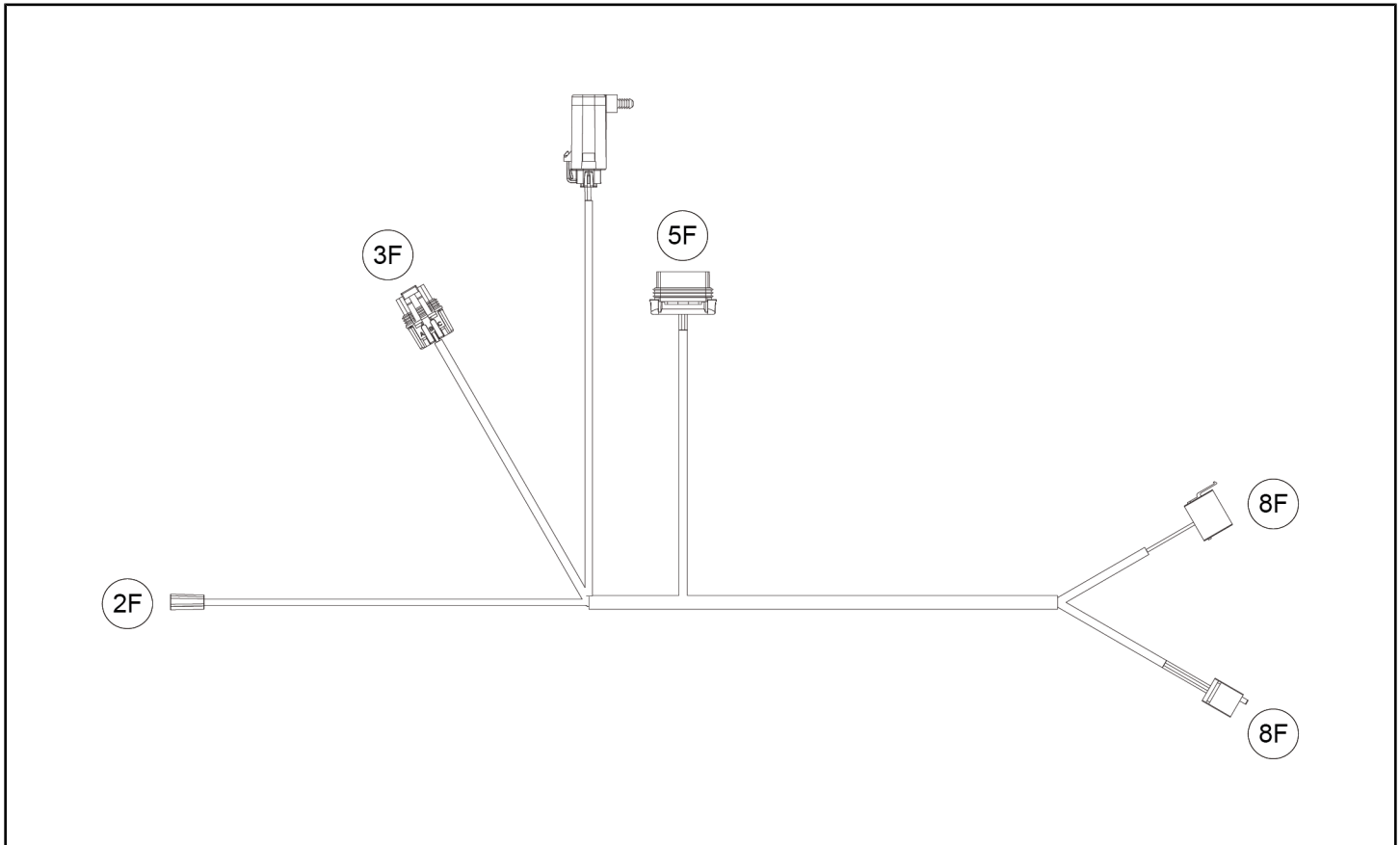


REF	QTY	PART DESCRIPTION	P/N AVAILABLE SEPARATELY	AVAILABLE SERVICE KIT
1	1	Mount-Wiper, Hook	1020081	n/a
2	1	Mount-Wiper	1025881	n/a
3	1	Assembly-Motor, Wiper	1204977	n/a
4	1	Assembly-Bottle	2205139	n/a

REF	QTY	PART DESCRIPTION	P/N AVAILABLE SEPARATELY	AVAILABLE SERVICE KIT
5	1	Harness–Wiper Windshield (not shown)	2415665	n/a
6	1	Arm–Windshield Wiper	2635455	n/a
7	1	Wiper–Blade	2638331	n/a
8	1	Switch–Wiper	4016253	n/a
9	1	Switch–Washer	4016254	n/a
10	1	Bracket–Bottle, Left-Hand	5259685	n/a
11	1	Bracket–Bottle, Right-Hand (not shown)	5259686	n/a
12	1	Grommet–Windshield Wiper	n/a	2205206
13	1	Pad–Wiper Bracket	5815038	n/a
14	1	Hose–Washer	n/a	2205206
15	3	Screw–Hex Head Flange, M6 x 1.0 x 20 mm	n/a	2205206
16	2	Screw–Hex Head Flange, M8 x 1.25 x 20.0 mm	n/a	2205206
17	4	Screw–Torx® Truss Head, M6 1.0 x 25 mm	n/a	2205206
18	4	Nut–Nylon Locking, M6 x 1.0 mm	n/a	2205206
19	1	Nut–Flange Nylon Locking, M8 x 1.25 mm	n/a	2205206
20	1	Fitting–Hose, Washer	n/a	n/a
21	1	Nut–Jam, M16 x 2.0 mm	n/a	n/a
22	1	Template (not shown)	n/a	n/a
23	4	Cable Ties	n/a	n/a

# HARNESS DETAIL

## WINDSHIELD WIPER HARNESS ⑤



REF	PART DESCRIPTION	CONNECTS TO
2F	Washer Bottle Connector	Washer Bottle Assembly
3F	Polaris Pulse® Connector	Polaris Pulse® Bar
5F	Motor Connector	Motor Assembly
8F	Switch Connector, "Wiper Switch"	Wiper Switch
8F	Switch Connector, "Washer Switch"	Washer Switch

Example: 16F = 16 pin, Female / 16M = 16 pin, Male (Male terminal fits inside female terminal)

### TOOLS REQUIRED

- Safety Glasses
- Deburring Tool
- Drill
- Drill Bit:
  - 3/8 in (10 mm)
  - 1 in (25 mm)
  - Step Drill Bit
- Pin Punch Set
- Pliers, Push Pin Rivet
- Ruler
- Scissors
- Screwdriver Set, Torx®
- Socket Set, Metric
- Socket Set, Torx® Bit
- Tape Measure
- Torque Wrench
- Wrench Set, Metric

## CONSUMABLES REQUIRED

- Windshield Washer Fluid

## IMPORTANT

Your Windshield Wiper Kit is exclusively designed for your vehicle. Please read the installation instructions thoroughly before beginning. Installation is easier if the vehicle is clean and free of debris. For your safety, and to ensure a satisfactory installation, perform all installation steps correctly in the sequence shown.

## INSTALLATION INSTRUCTIONS

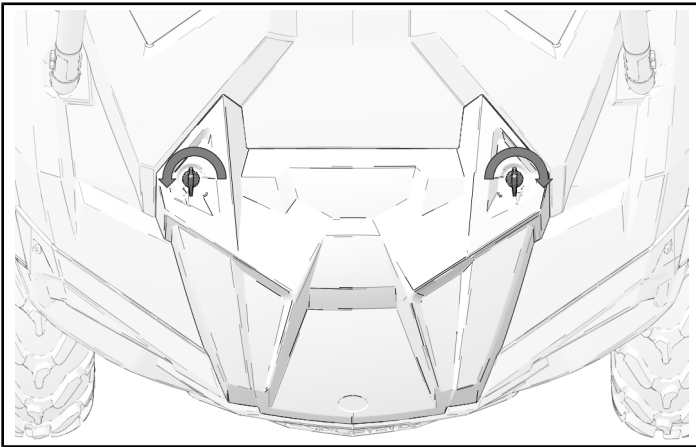
### VEHICLE PREPARATION

#### GENERAL

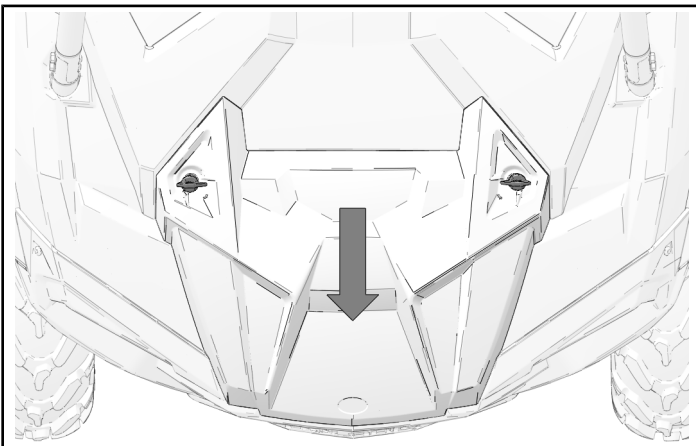
1. Shift vehicle transmission into PARK.
2. Turn ignition switch to OFF position and remove key.

#### CENTER HOOD PANEL REMOVAL

1. Turn quarter-turn fasteners to unlock hood from vehicle.



2. Move hood forward to remove from vehicle.

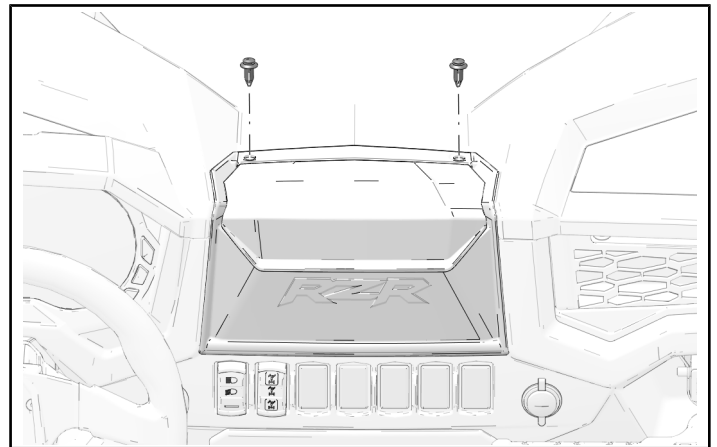


#### DASHBOARD STORAGE REMOVAL

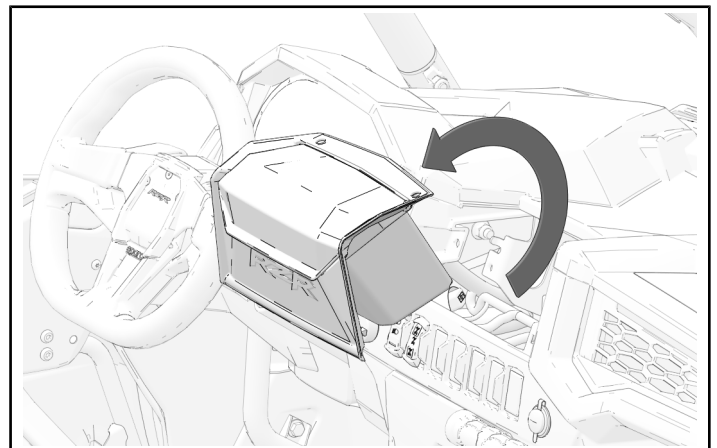
##### NOTICE

Storage bin shown; audio head unit bezel similar.

1. Remove two push-pin rivets from top of storage compartment.

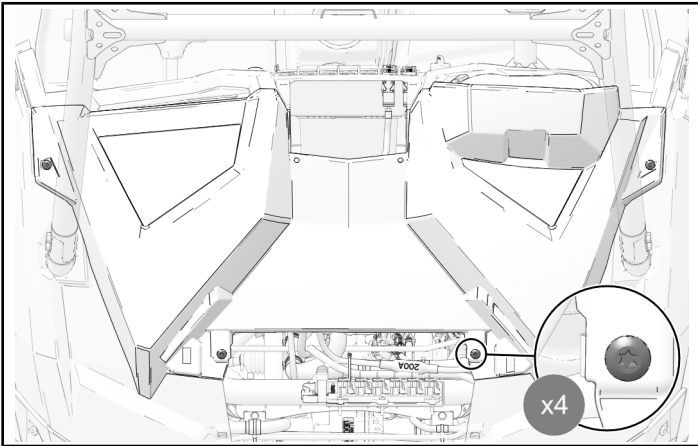


2. Tilt storage compartment rearward to remove from dashboard.

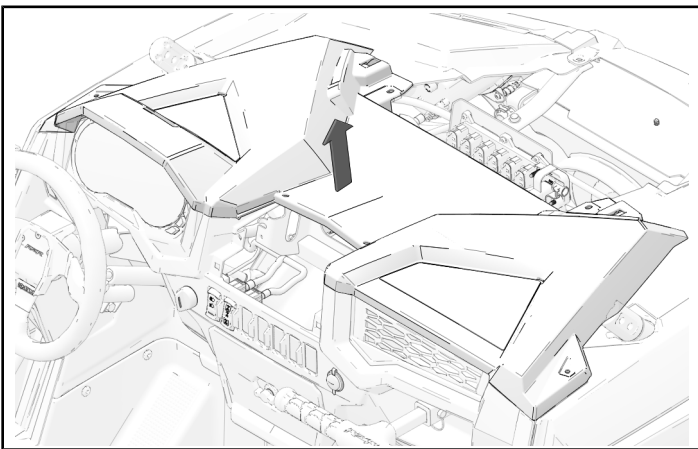


## DASHBOARD TOP REMOVAL

1. Remove four dashboard fasteners.



2. Lift dashboard upwards to remove from vehicle.



## ACCESSORY INSTALLATION

### DASHBOARD PANEL TEMPLATE

1. Detach template page located at the end of this instruction.
2. Locate REFERENCE DIMENSION on each template page.

Verify REFERENCE DIMENSION is exact and template(s) were printed to proper scale.

#### NOTE

If REFERENCE DIMENSION is not exact, reprint template page from electronic file. Adjust print setting to **“Actual Size”** to obtain 1:1 scale. Electronic file available from your **Authorized Dealer**.

3. Cut template along dashed line and place on dashboard, as shown.

4. Put dashboard on a soft surface with topside facing down. Mark two drill points on underside of dashboard and drill at marked locations.

#### MEASUREMENT

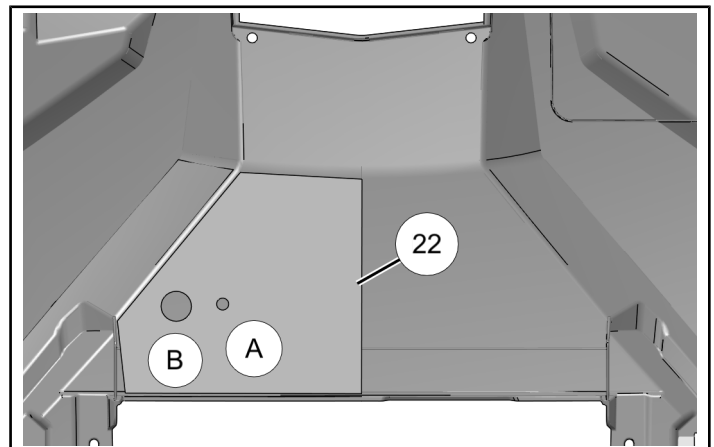
Measurement (A):  
**3/8 in (10 mm)**

#### MEASUREMENT

Measurement (B):  
**1 in (25 mm)**

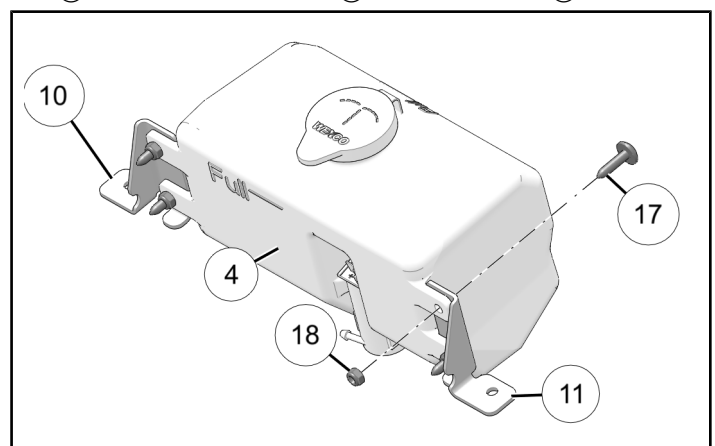
#### IMPORTANT

Underside of dashboard shown. Windshield washer arm will be mounted on driver side.

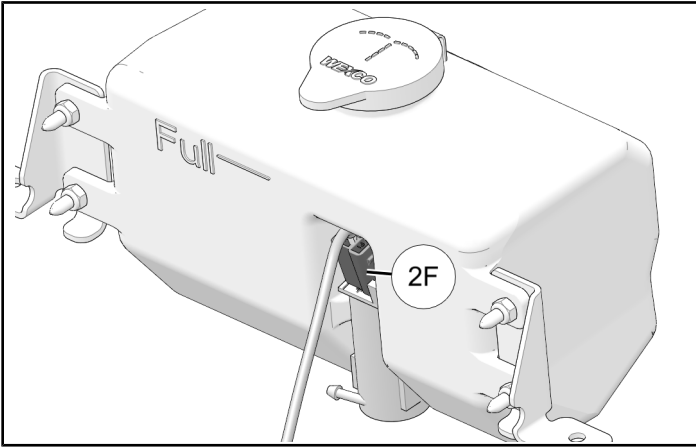


## WASHER BOTTLE INSTALLATION

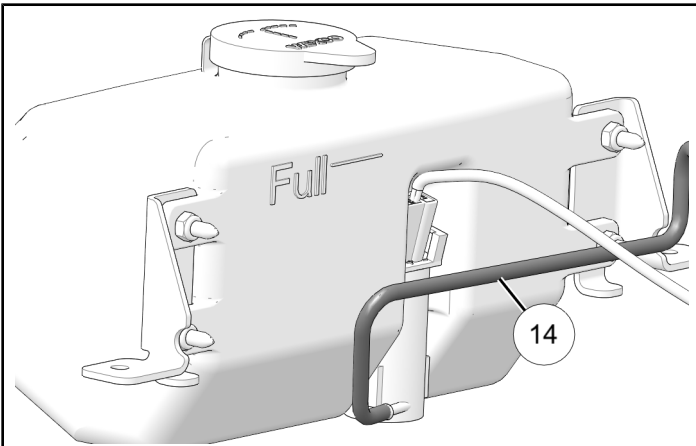
1. Loosely install bottle brackets (10) and (11) to bottle (4) with four fasteners (17) and four nuts (18).



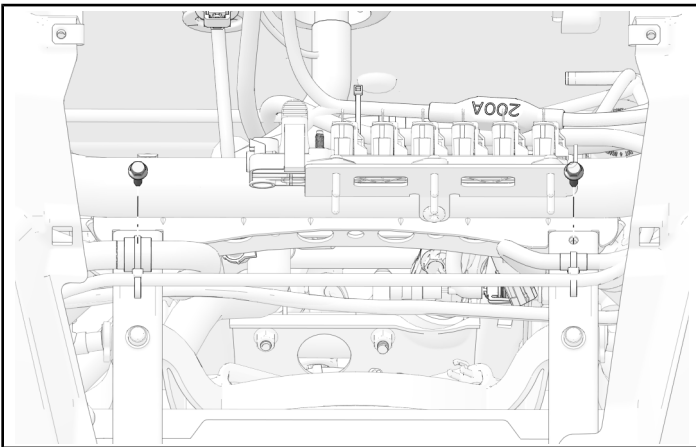
2. Install harness connector **2F** to the washer fluid pump.



3. Install washer fluid hose **14** to the bottom of the washer fluid pump. Use one cable tie **23** to install hose to pump fitting.



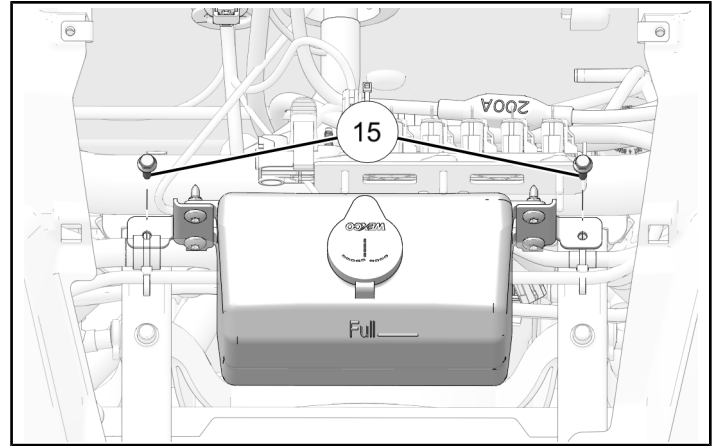
4. Remove and discard two fasteners from vehicle, located between chassis harness and Polaris Pulse® bar.



5. Install bottle assembly to chassis cross-beam with two fasteners **15**. Torque two fasteners to specification.

**TORQUE**

Bottle Bracket Fasteners **15**:  
**8 ft-lbs (11 N·m)**



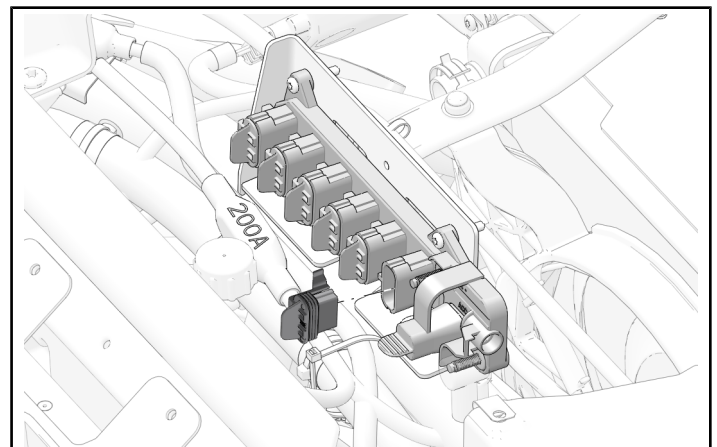
6. Counter-hold nuts on bottle bracket and torque fasteners to specification.

**TORQUE**

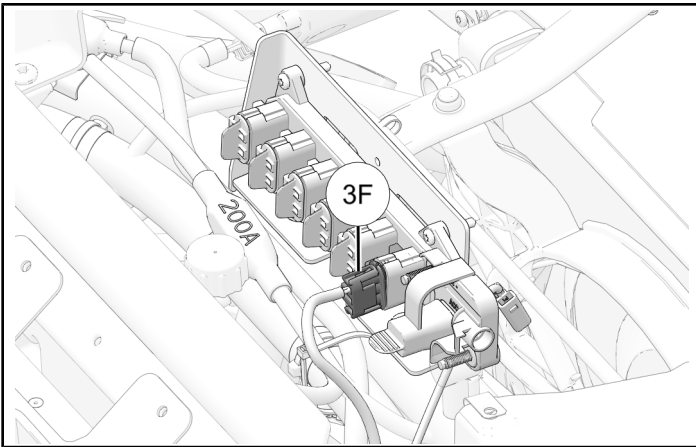
Bottle Bracket Fasteners **17**:  
**8 ft-lbs (11 N·m)**

### **WINDSHIELD WIPER HARNESS ROUTING**

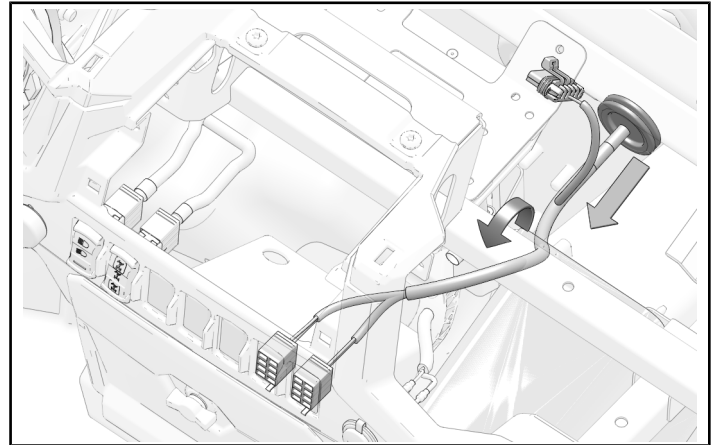
1. Remove cap from Polaris Pulse® bar.



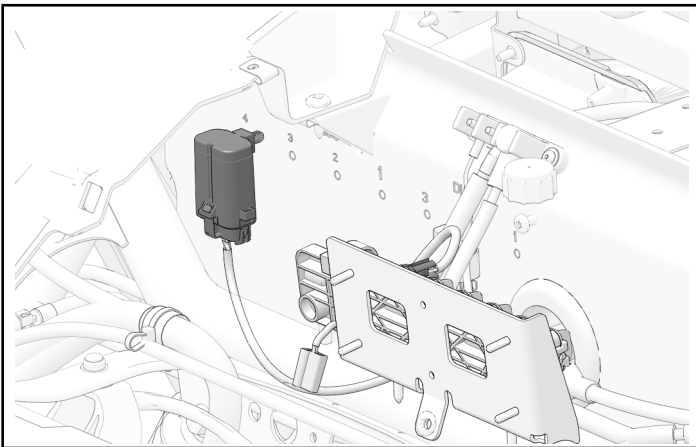
2. Install power connector **3F** to Polaris Pulse® bar.



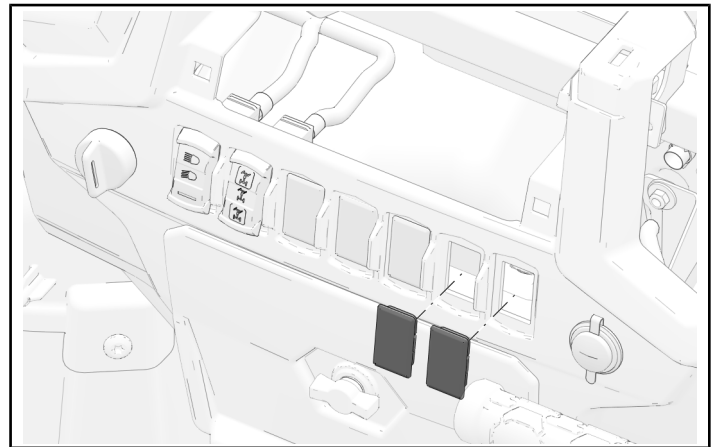
5. Pull harness through grommet and put switch connectors near empty switch plates.



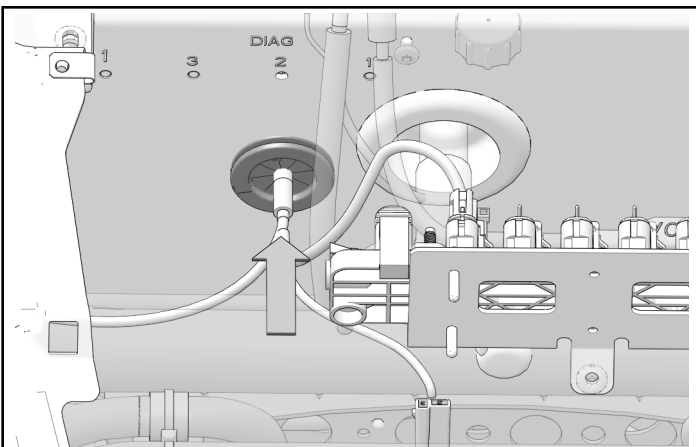
3. Install fuse relay to an empty port on the firewall.



6. Remove and discard two switch plates from dashboard.

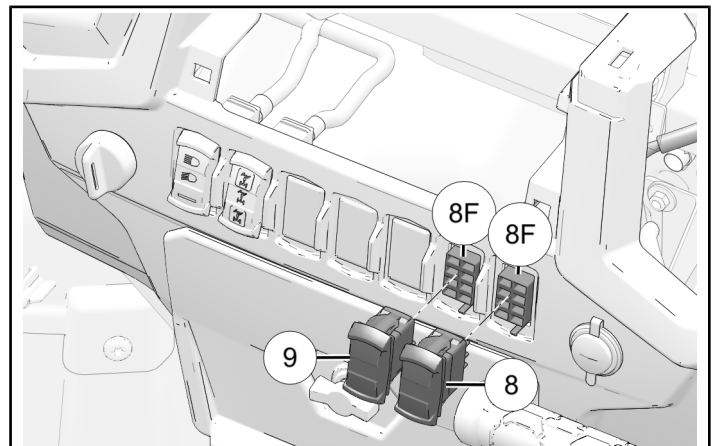


4. Put remaining switch connectors and motor connector through firewall grommet.



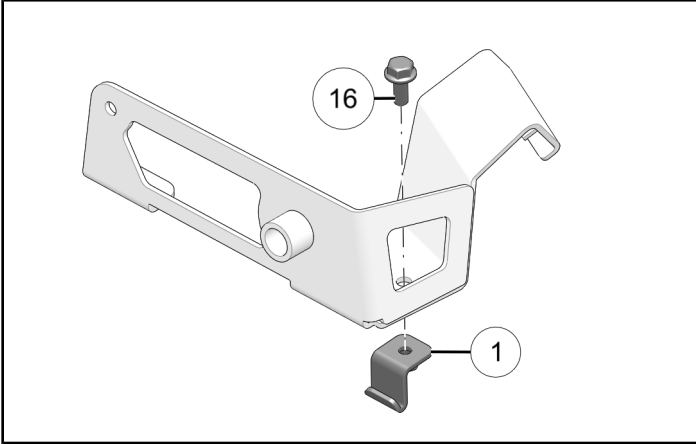
7. Install two switches **8** and **9** to switch connectors **8F**.

**TIP**  
Connectors on harness are marked "Washer Switch" or "Wiper Switch".

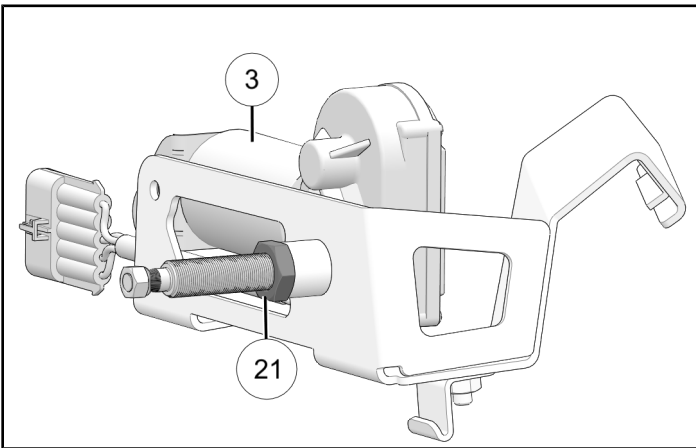


## MOTOR INSTALLATION

1. Loosely install wiper mount hook ① to wiper mount ② with one fastener ⑯.



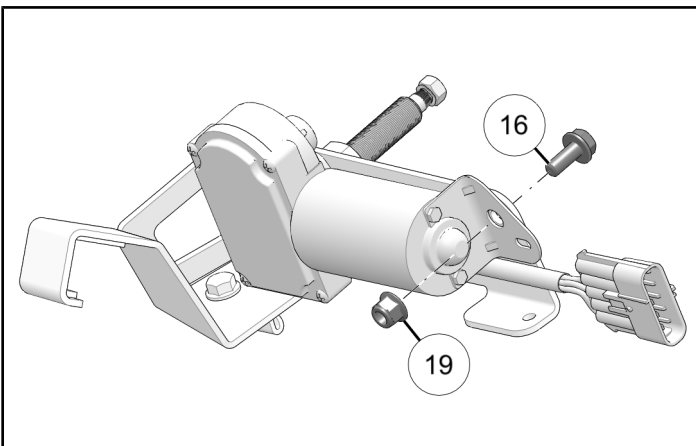
2. Install motor ③ to wiper mount with one nut ⑳.



3. Install motor to motor mount with one fastener ⑯ and one nut ⑲. Counter-hold nut and torque fastener to specification.

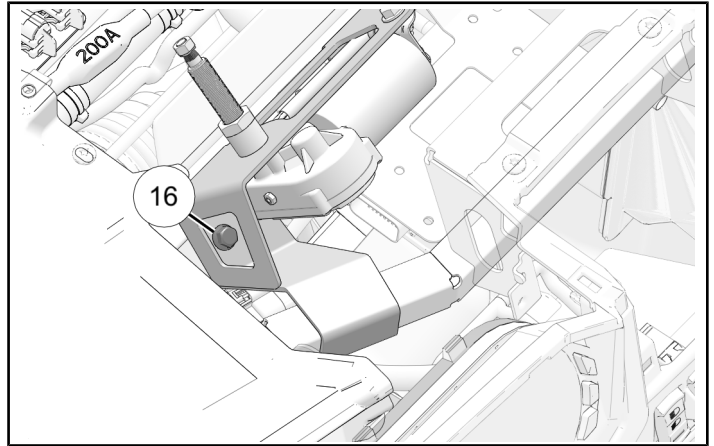
### TORQUE

Motor Mount Fastener ⑯:  
**13 in-lbs (18 N·m)**



4. Tighten nut ⑳ on motor assembly.

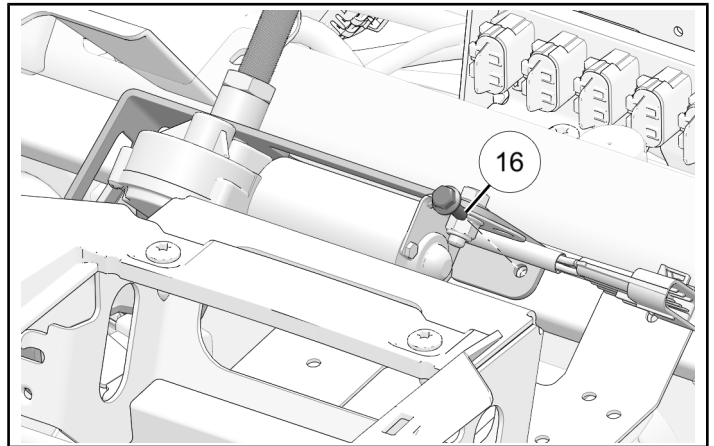
5. Put motor assembly on chassis cross-beam. Rotate wiper mount hook to wrap around chassis frame and tighten fastener ⑯ until mount is held in place.



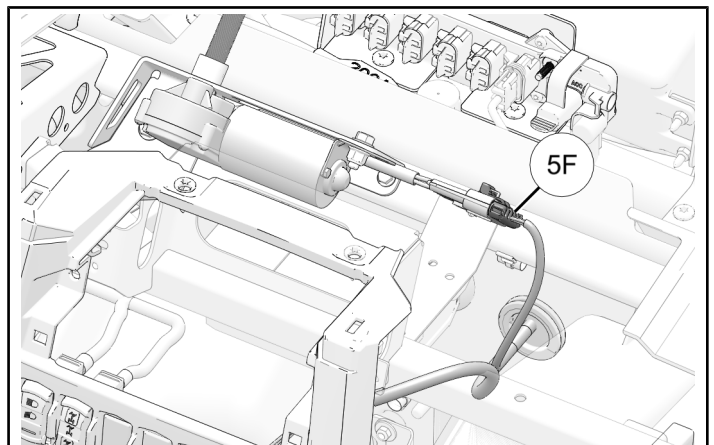
6. Install right side of mount with one fastener ⑯. Torque both fasteners to specification.

### TORQUE

Motor Mount Fastener ⑯:  
**13 in-lbs (18 N·m)**



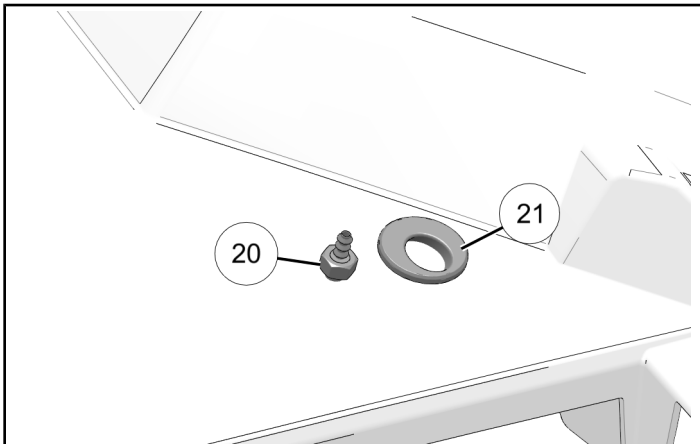
7. Install windshield wiper harness connector 5F to motor.



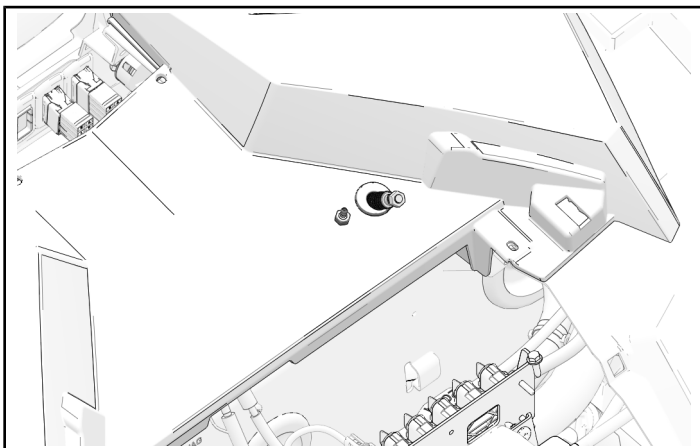


## WIPER ARM INSTALLATION

1. Install rubber grommet (21). Install hose fitting (20) with supplied hose fitting nut. Tighten until nut is fully seated against dashboard panel



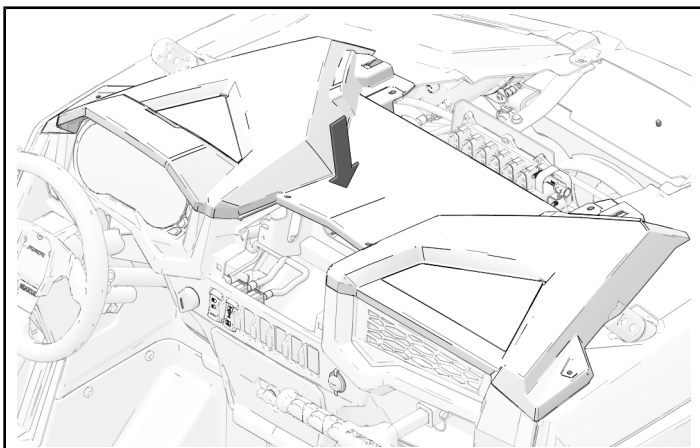
2. Put dashboard on vehicle so that motor shaft passes through grommet.



3. Install hose, coming from bottle, to hose fitting. Use one cable tie (23) to install hose to fitting.

## DASHBOARD TOP INSTALLATION

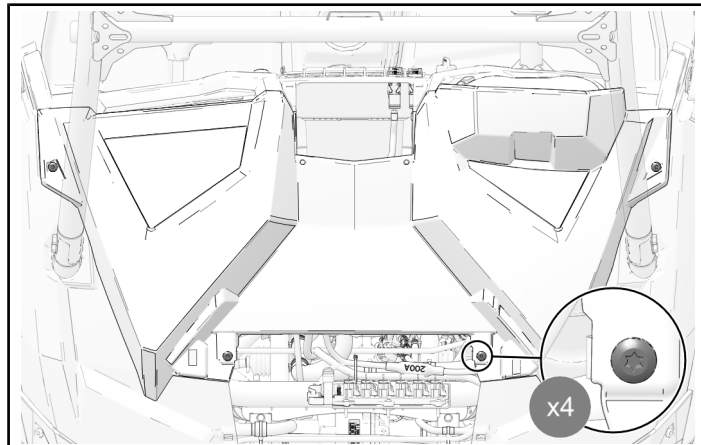
1. Install dashboard on top of front dashboard panel. Make sure top dashboard clips engage with front dashboard.



2. Install dashboard with four dashboard fasteners.

### TORQUE

Dashboard Fasteners:  
**8 ft-lbs (11 N·m)**

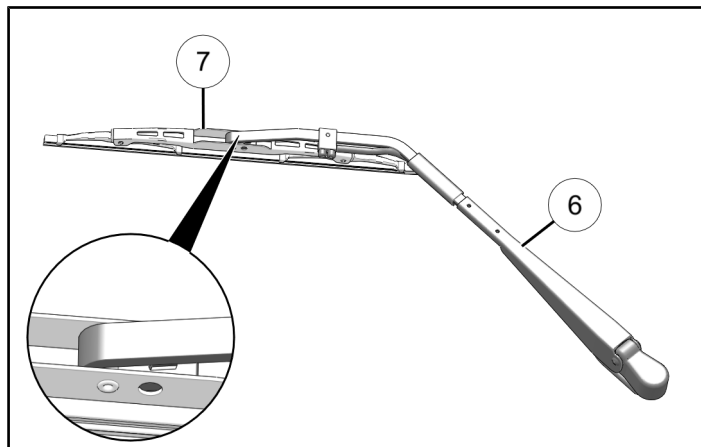


## WINDSHIELD INSTALLATION

Refer to windshield installation instructions for installation procedures.

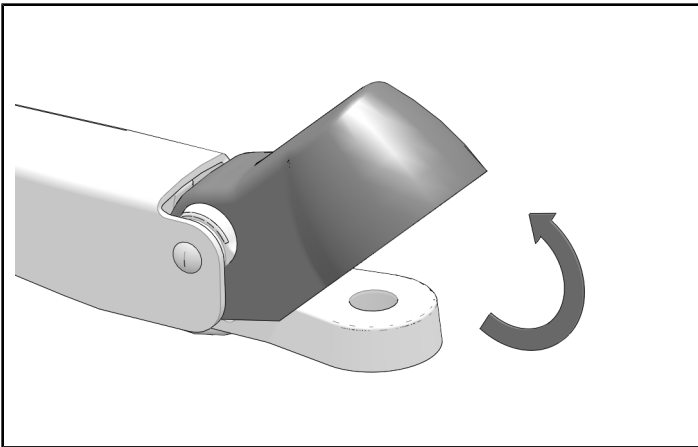
## WIPER ARM INSTALLATION CONTINUED

1. Hook wiper arm (6) onto wiper blade (7), as shown.

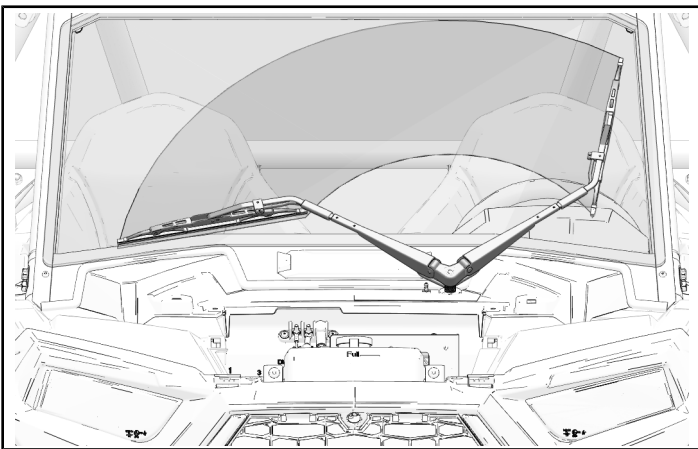


2. Remove nut and washer from wiper arm shaft on motor assembly.

- Lift wiper arm cap to reveal mounting bracket.



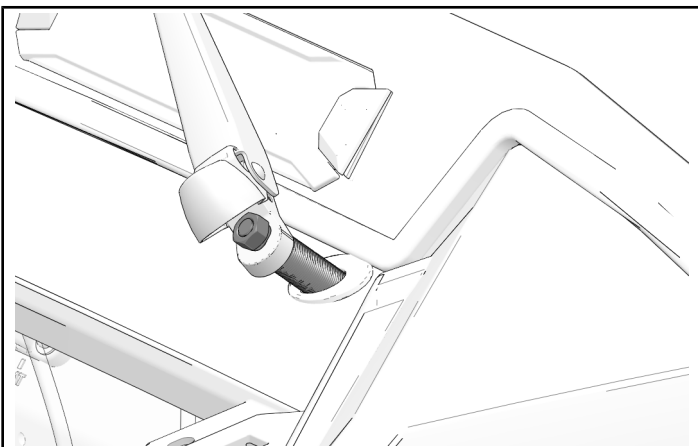
- Place wiper arm onto wiper arm shaft in a position that will allow wiper blade to fully clean windshield.



- Install wiper arm with one nut and one washer, retained from Step 1.

#### TORQUE

Wiper Arm Nut:  
15 ft-lbs (20 N·m)



- Install windshield wiper hose to dashboard hose fitting with one cable tie ②.

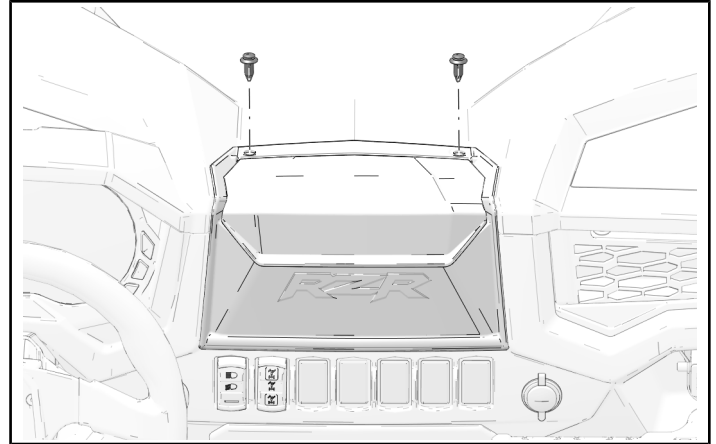
## VEHICLE REASSEMBLY

### DASHBOARD STORAGE INSTALLATION

#### NOTICE

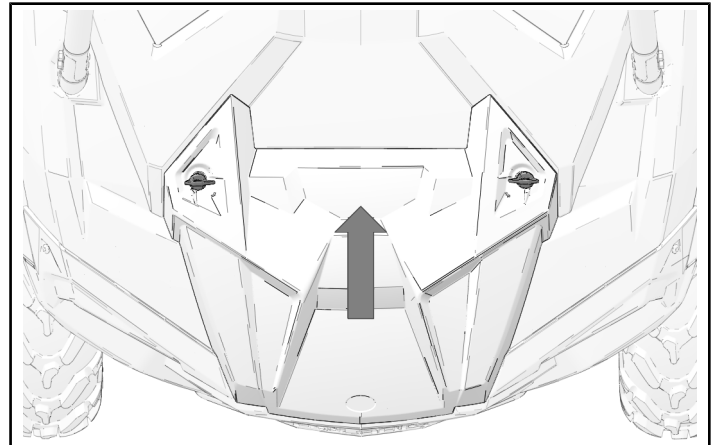
Storage bin shown; audio head unit bezel similar.

- Install storage compartment with two push-pin rivets.

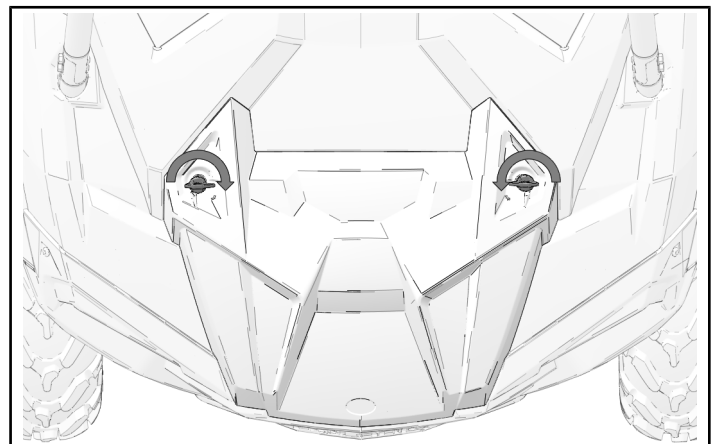


### CENTER HOOD PANEL INSTALLATION

- Move hood rearward.



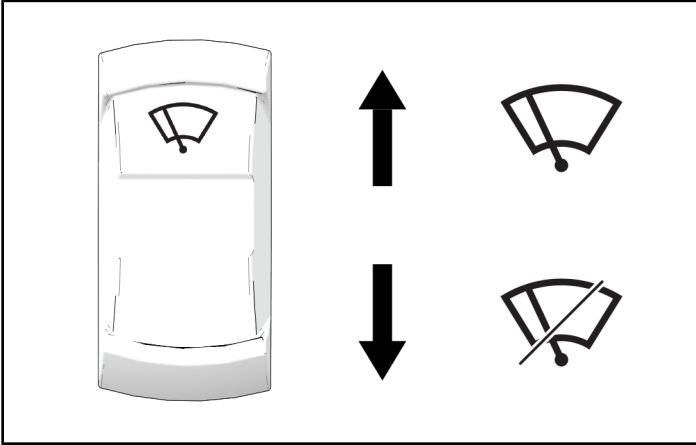
- Turn quarter-turn fasteners to lock hood to vehicle.



## OPERATION

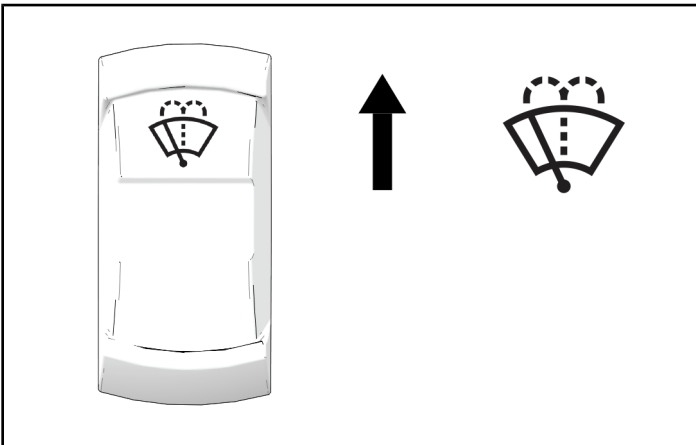
### POWERING WINDSHIELD WIPER ON/OFF

Vehicle must be turned on for windshield wiper to function.



### POWERING WASHER FLUID ON

Push Washer Fluid Switch momentarily to spray washer fluid.



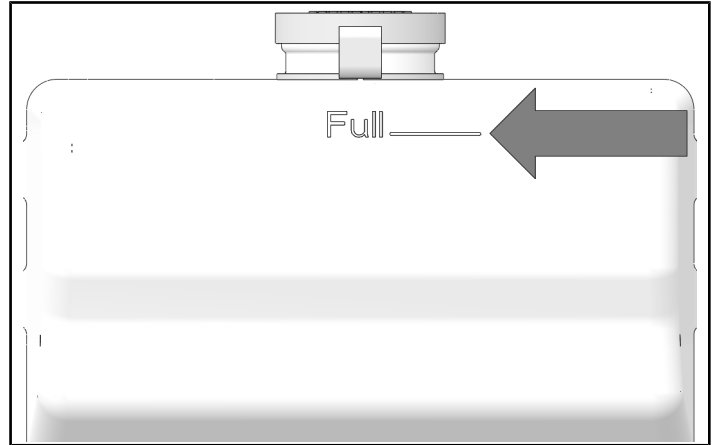
## INSTRUCTION FEEDBACK FORM

A feedback form has been created for the installer to provide any comments, questions or concerns about the installation instructions. The form is viewable on mobile devices by scanning the QR code or by clicking [HERE](#) if viewing on a PC.



### FILLING WASHER FLUID RESERVOIR

Remove center hood panel to access washer fluid reservoir. Fill reservoir to line marked "Full." Never fill reservoir past "Full" line.



### WIPER BLADE REPLACEMENT

PART DESCRIPTION	P/N AVAILABLE SEPARATELY
Wiper-Blade	2638331

This page intentionally left blank.

