

# REAR BRUSH GUARD KIT



P/N 2884734-XXX

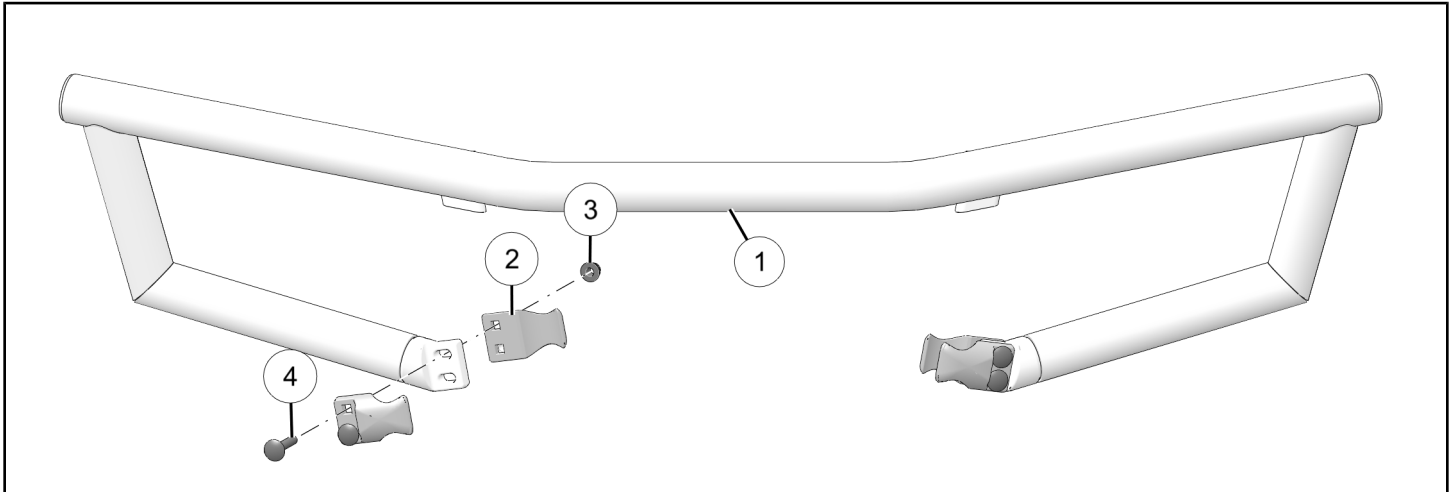
## APPLICATION

Verify accessory fitment at [www.polaris.com](http://www.polaris.com).

## BEFORE YOU BEGIN

Read these instructions and check to be sure all parts and tools are accounted for. Please retain these installation instructions for future reference and parts ordering information.

## KIT CONTENTS



### NOTICE

XXX = Polaris® color code (For example: 458 = Black)

REF	QTY	PART DESCRIPTION	P/N AVAILABLE SEPARATELY
1	1	Weld-Rear, Bumper	1025864-XXX
2	4	Clamp-Intrusion Bar	5633088
3	4	Nut-Hex Flange, M8 x 1.25 mm	7547317
4	4	Screw-Carriage Bolt, M8 x 1.25 mm x 45 mm	n/a

## TOOLS REQUIRED

- Safety Glasses
- Hammer, Soft Face
- Socket Set, Metric
- Torque Wrench
- Wrench Set, Metric

## IMPORTANT

Your Rear Brush Guard Kit is exclusively designed for your vehicle. Please read the installation instructions thoroughly before beginning. Installation is easier if the vehicle is clean and free of debris. For your safety, and to ensure a satisfactory installation, perform all installation steps correctly in the sequence shown.

# INSTALLATION INSTRUCTIONS

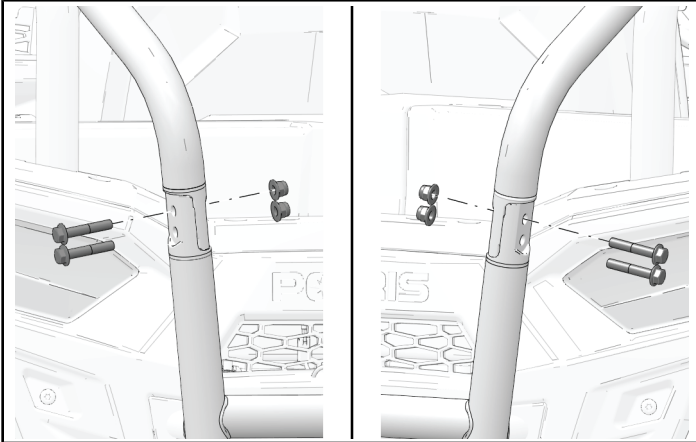
## VEHICLE PREPARATION

### GENERAL

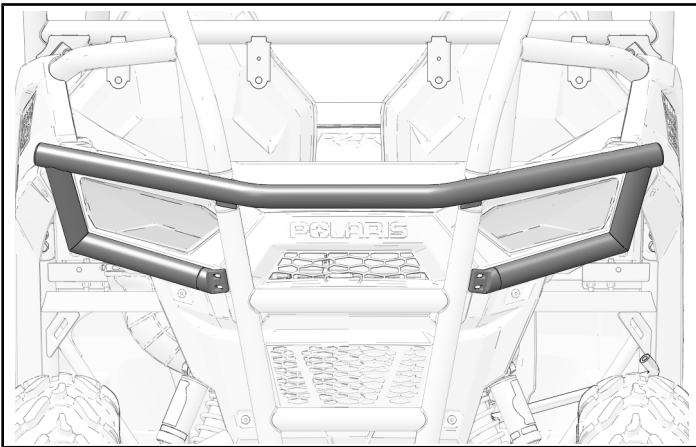
1. Shift vehicle transmission into PARK. Turn key to OFF position and remove from vehicle.

### ACCESSORY INSTALLATION

1. Remove and retain four ROPS fasteners and nuts.

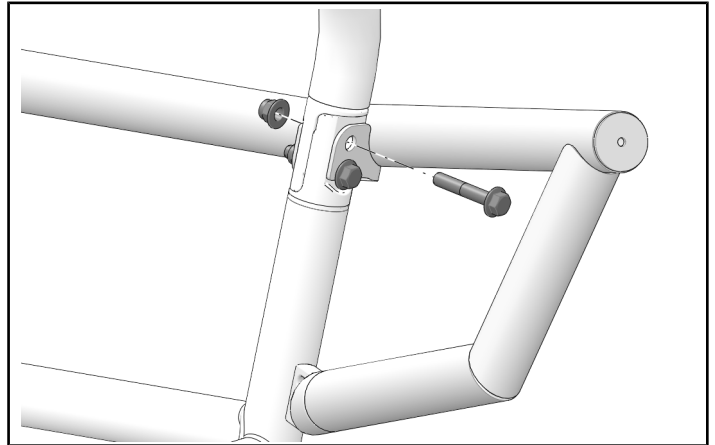


2. With an assistant, align rear brush guard with two intrusion bars.



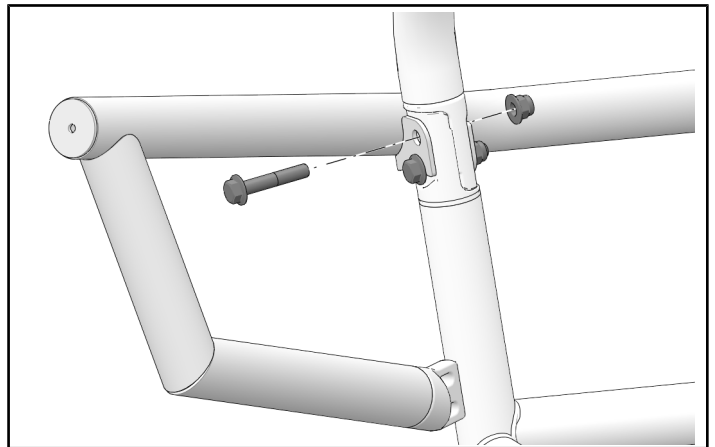
3. Pass two retained fasteners through brush guard bracket and intrusion bar. Install with two retained nuts.

Do not torque fasteners at this time.

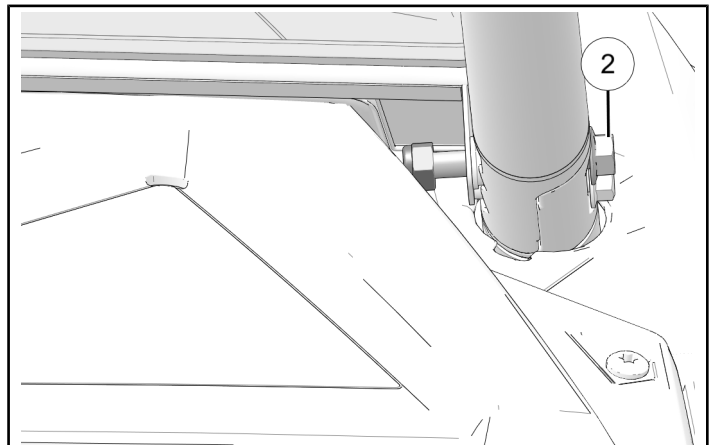


4. Pass two retained fasteners through brush guard bracket and intrusion bar. Install with two retained nuts.

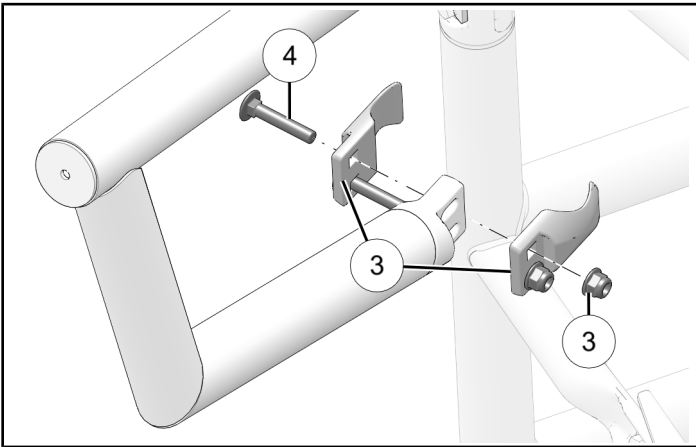
Do not torque fasteners at this time.



5. Loosely assemble clamps ② to brush guard with two bolts ④ and two nuts ③.



6. Loosely assemble clamps ② to brush guard with two bolts ④ and two nuts ③.



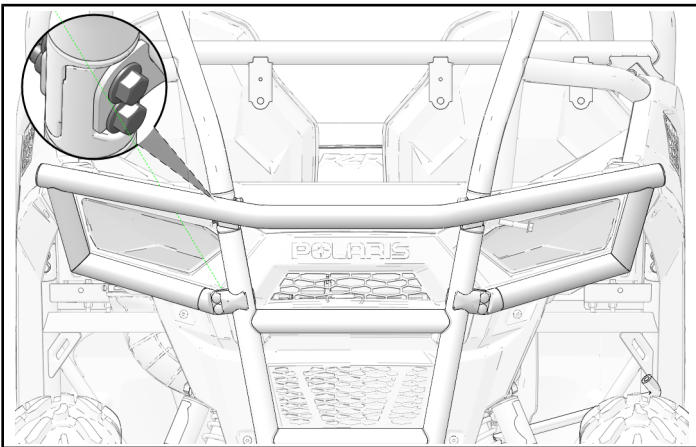
**⚠ WARNING**

Failure to torque fasteners as directed will adversely affect ROPS integrity and may lead to severe injury or death in an accident.

7. Torque four ROPS fasteners to specification.

**TORQUE**

ROPS Fasteners:  
**44 ft-lbs (60 N·m)**



**FEEDBACK FORM**

A feedback form has been created for the installer to provide any comments, questions or concerns about the installation instructions. The form is viewable on mobile devices by scanning the QR code or by clicking [HERE](#) if viewing on a PC.



8. Torque four clamp nuts to specification.

**TORQUE**

Nuts ③:  
**16 ft-lbs (22 N·m)**

