

FASCIA LIGHT BAR MOUNT KIT



P/N 2884654

APPLICATION

Verify accessory fitment at www.polaris.com.

BEFORE YOU BEGIN

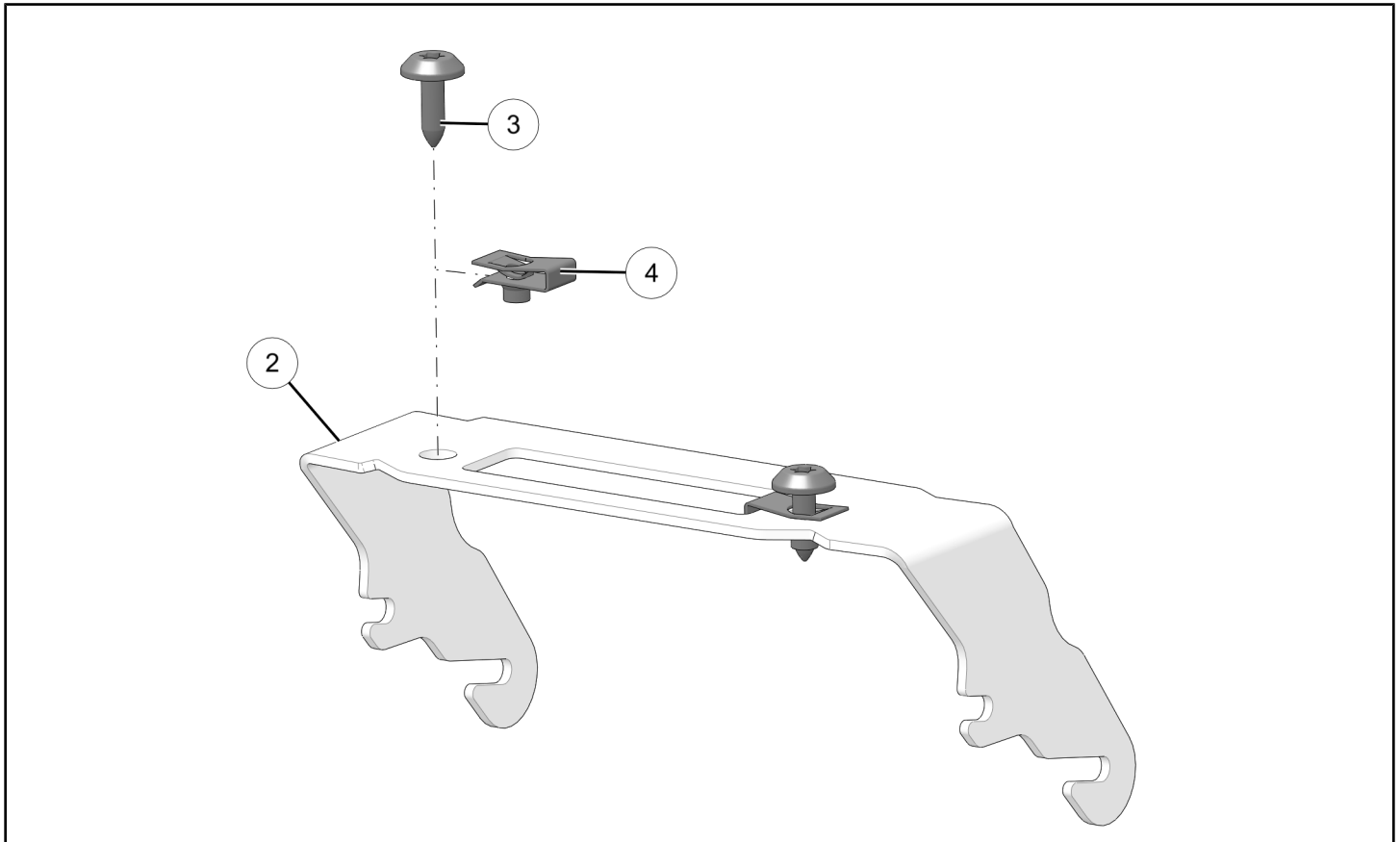
Read these instructions and check to be sure all parts and tools are accounted for. Please retain these installation instructions for future reference and parts ordering information.

REQUIRED SOLD SEPARATELY

Only parts for installation of the Fascia Light Bar Mount Kit are included. For complete installation, the following additional kits are required (sold separately):

- *6 Inch Light Bar*, P/N 2884649
- *Light Bar Harness Kit*, (see website or your local dealer for P/N)

KIT CONTENTS

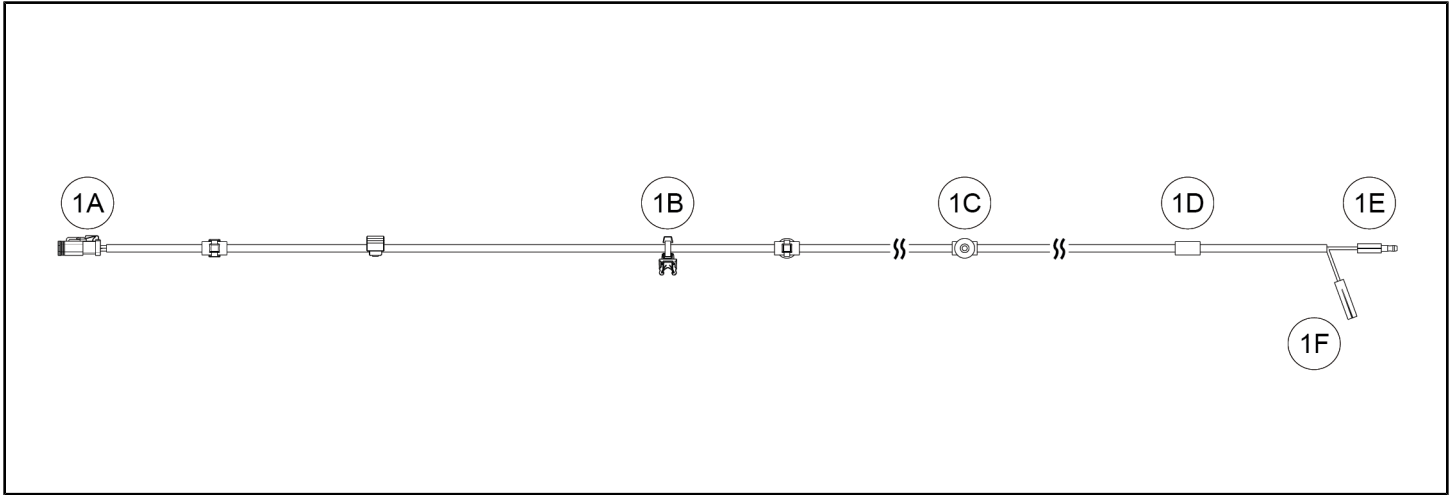


REF	QTY	PART DESCRIPTION	P/N AVAILABLE SEPARATELY
1	1	Harness–Light Bar, Fascia (see Harness Detail)	2414733
2	1	Bracket–Light Bar, Fascia	5267473-458
3	2	Screw–Torx® Truss Head, M6 x 1.0 x 20	7519112

REF	QTY	PART DESCRIPTION	P/N AVAILABLE SEPARATELY
4	2	Clip-U Speed Nut	7081305
5	3	Cable Tie	7080138

HARNES DETAIL

FASCIA LIGHT BAR HARNES ①



REF	PART DESCRIPTION	PIN QTY/ GENDER	CONNECTS TO
1A	Connector, Lightbar, Fascia	2 Pin/ Female	Light Bar
1B	Clip, Routing	—	Vehicle structure
1C	Clip, Push (Routing)	—	Vehicle structure
1D	Tape, White (3 locations)	—	Identifies installation location for cable tie ⑤
1E	Connector, Bullet, Power	1 Pin/ Male	Light Bar Harness Kit
1F	Connector, Bullet, Ground	1 Pin/ Female	Light Bar Harness Kit

TOOLS REQUIRED

- Safety Glasses
- Socket Set, SAE
- Socket Set, Torx® Bit
- Torque Wrench
- Wrench Set, SAE

IMPORTANT

Your Fascia Light Bar Mount Kit is exclusively designed for your vehicle. Please read the installation instructions thoroughly before beginning. Installation is easier if the vehicle is clean and free of debris. For your safety, and to ensure a satisfactory installation, perform all installation steps correctly in the sequence shown.

INSTALLATION INSTRUCTIONS

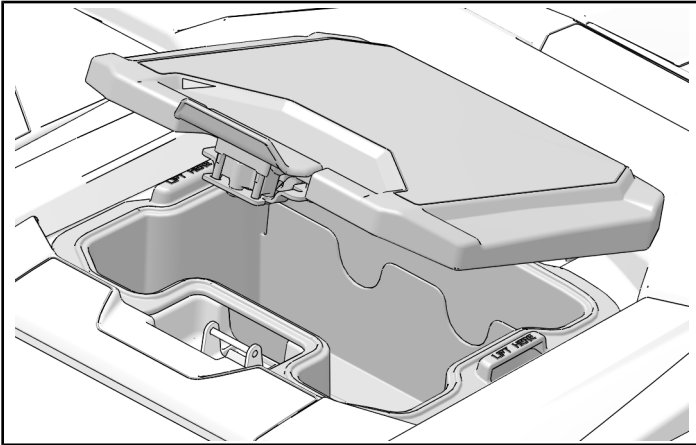
VEHICLE PREPARATION

GENERAL

1. Shift vehicle transmission into PARK.
2. Turn key to OFF position and remove from vehicle.

DASHBOARD STORAGE REMOVAL

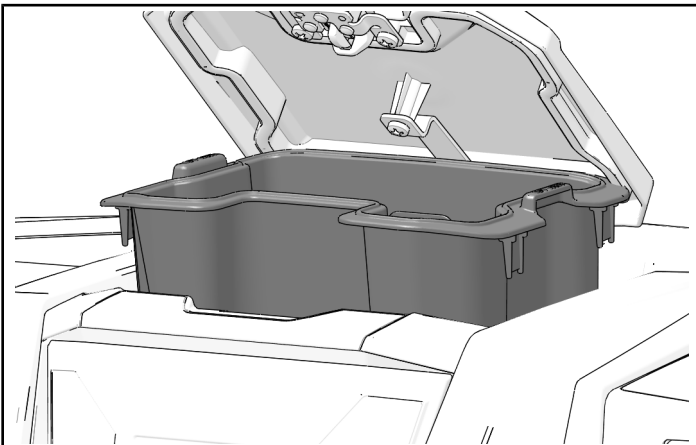
1. Open center dashboard storage compartment.



2. Remove storage compartment from dashboard.

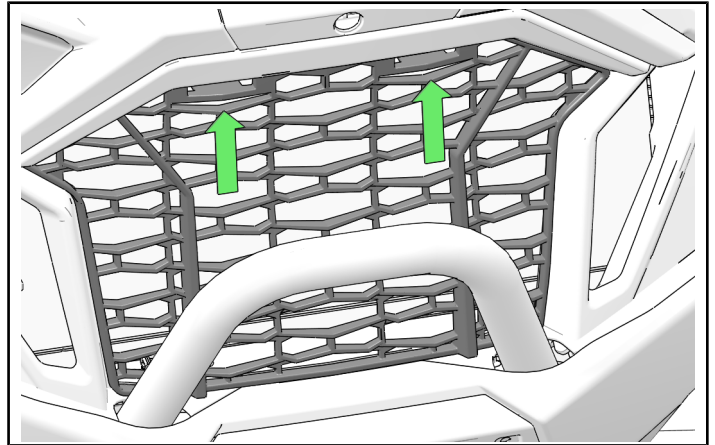
TIP

If removing storage compartment is difficult, carefully use tool to pry storage compartment upwards where marked "LIFT HERE."

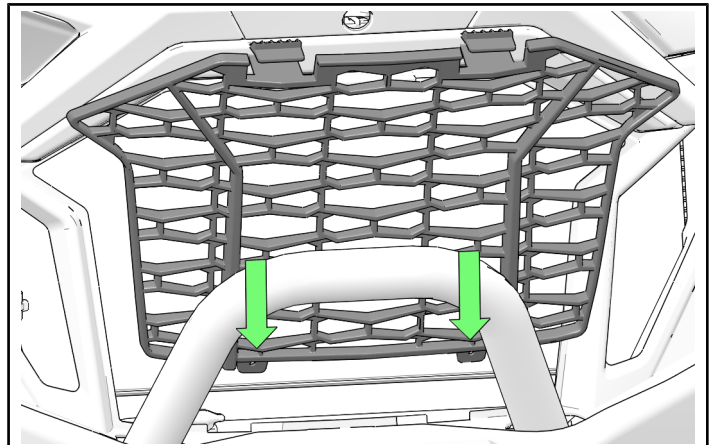


GRILLE REMOVAL

1. Pull down on two tabs, located on top-edge of grille.

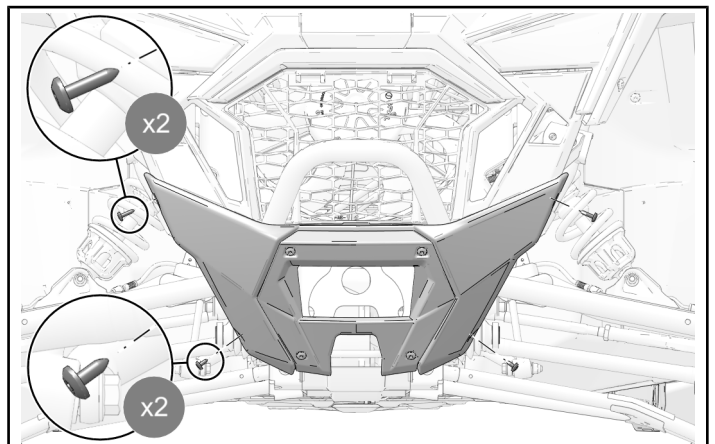


2. Tip grille forward and pull out until bottom tabs are clear of front fascia and bull bumper.



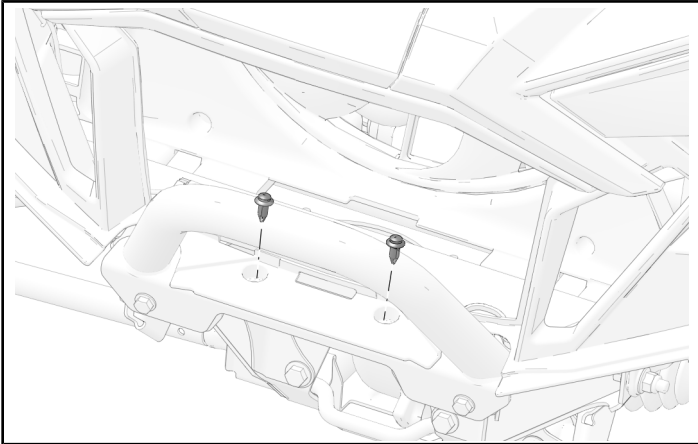
FRONT FASCIA REMOVAL

1. Remove two top mounting fasteners (longer) and two bottom mounting fasteners (shorter) to remove front fascia from vehicle.

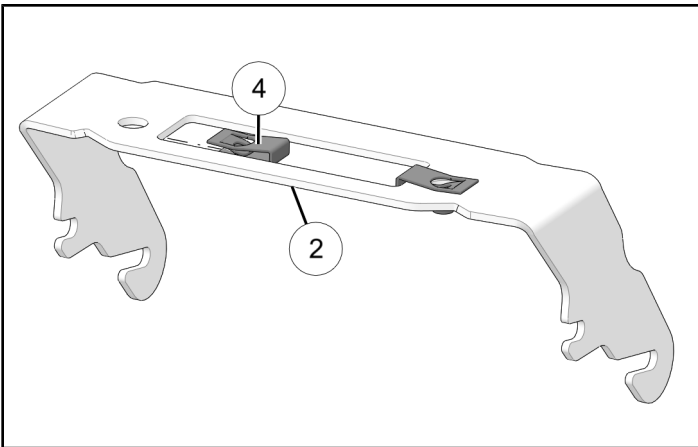


ACCESSORY INSTALLATION

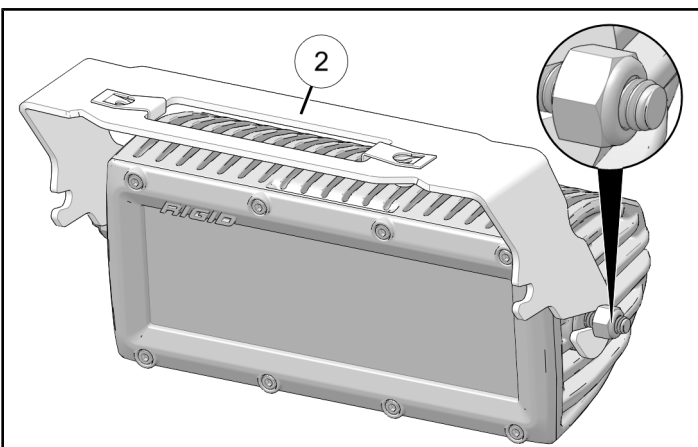
1. Remove and discard two push-pin rivets from front fascia.



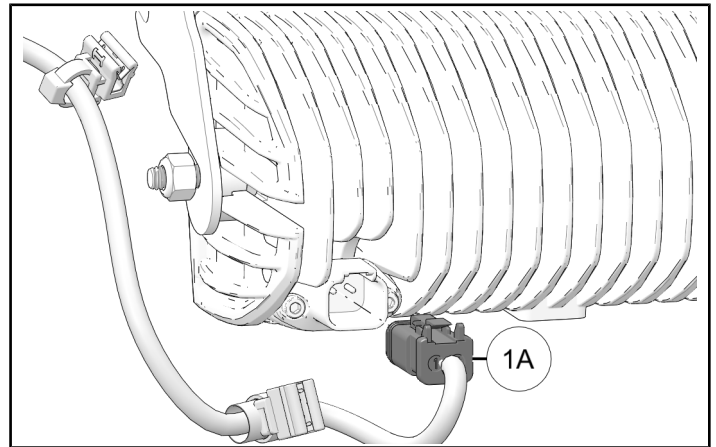
2. Install U-nuts ④ onto light bar mount ②.



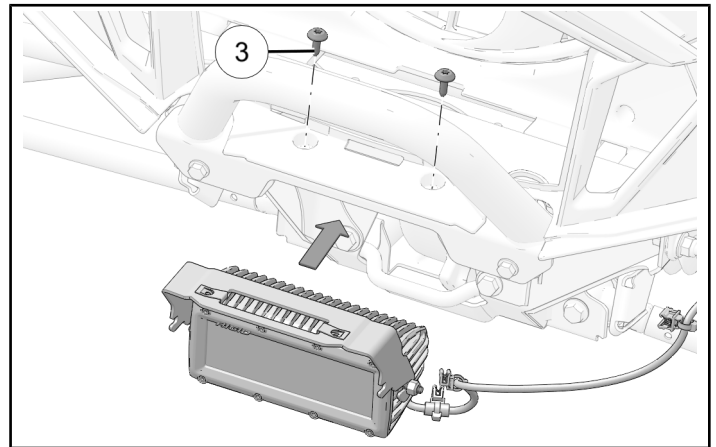
3. Install light bar (sold separately) to mount by tightening nuts until light bar is secure.



4. Connect light bar harness connector 1A to back of light bar.



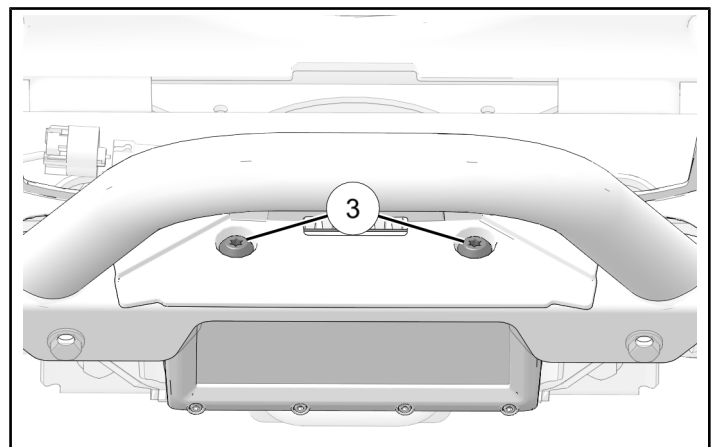
5. Install light bar mount to underside of bull bumper with two fasteners ③.



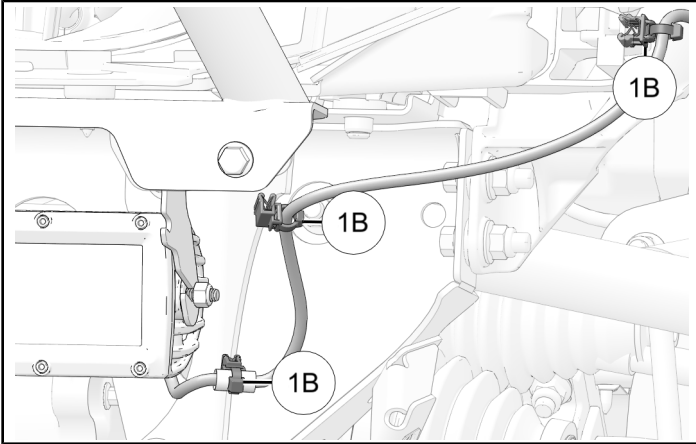
6. Torque two fasteners to specification.

TORQUE

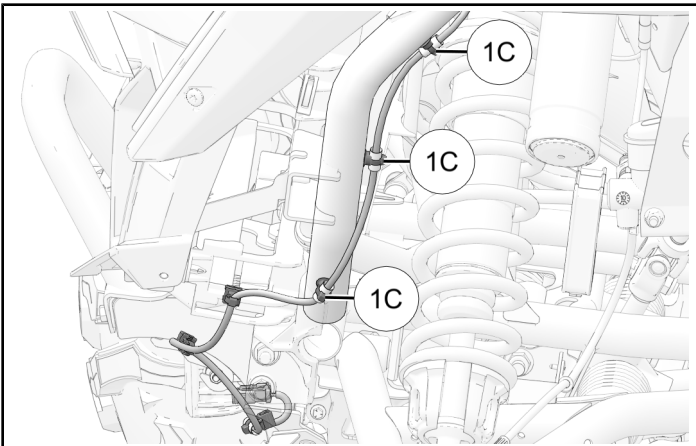
Light Bar Mount Fasteners ③:
7 ft-lbs (10 N·m)



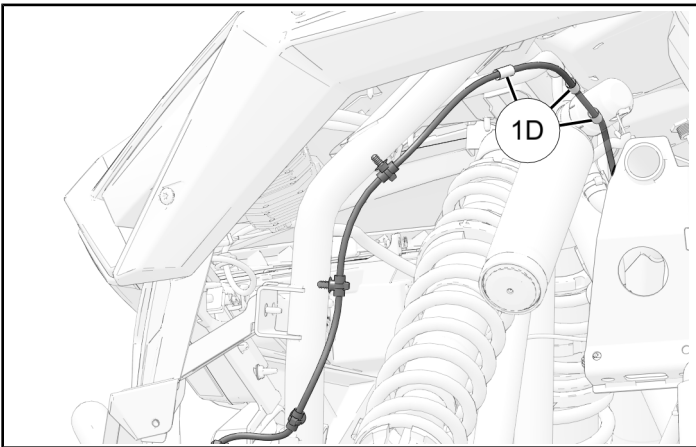
7. Install light bar harness to vehicle structure with three edge clips **1B**. Install two along left bumper bracket. Install the third on the radiator assembly.



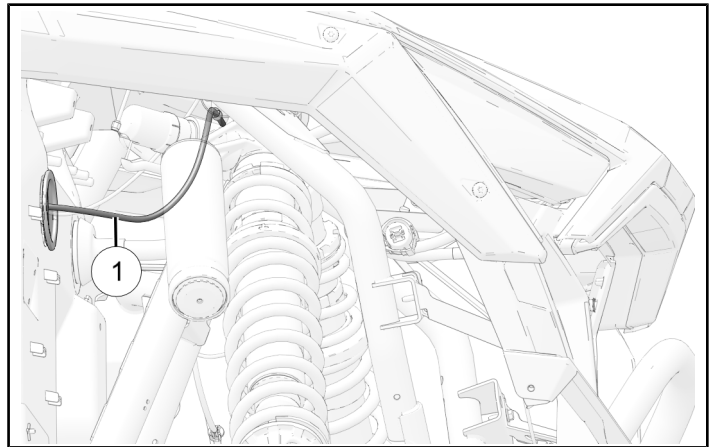
8. Continue installing light bar along chassis tube with three push-pin clips **1C**.



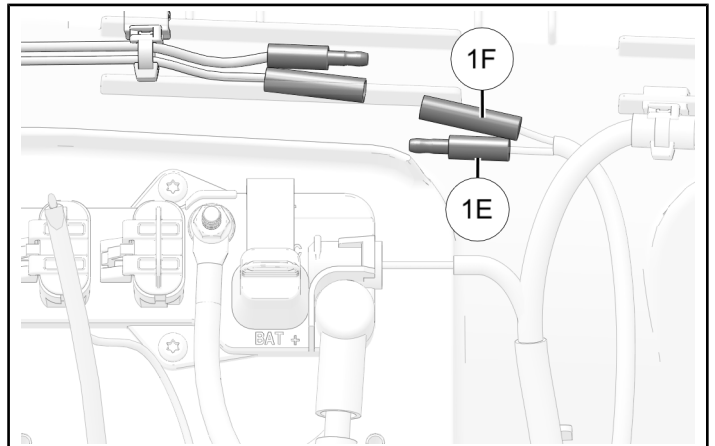
9. Route light bar harness to right side of vehicle. Secure to chassis electrical harness with three cable ties **5** (not shown) at taped locations **1D**.



10. Put light bar harness through firewall grommet.



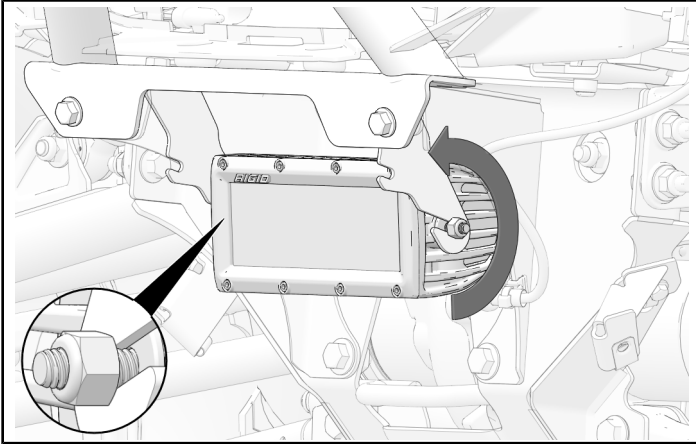
11. Reach through storage compartment cavity to pull light bar harness from firewall grommet. Connect bullet connectors **1F** and **1E** to corresponding connectors from *Light Bar Harness Kit*.



VEHICLE REASSEMBLY

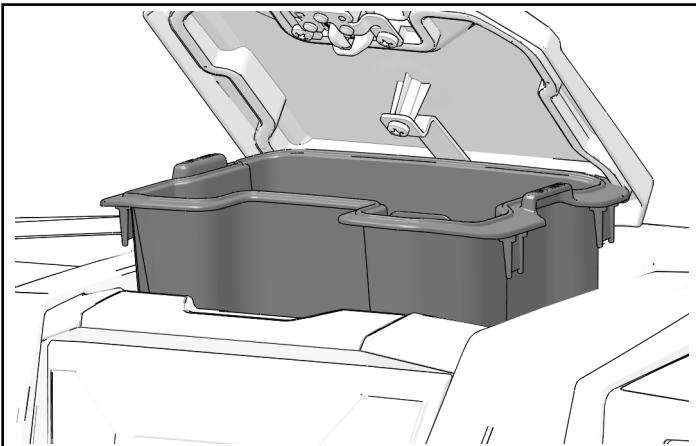
GENERAL

1. Turn vehicle on.
2. Turn fascia light bar on.
3. Loosen nuts to adjust light direction. Tighten nuts once light bar is in desired position.



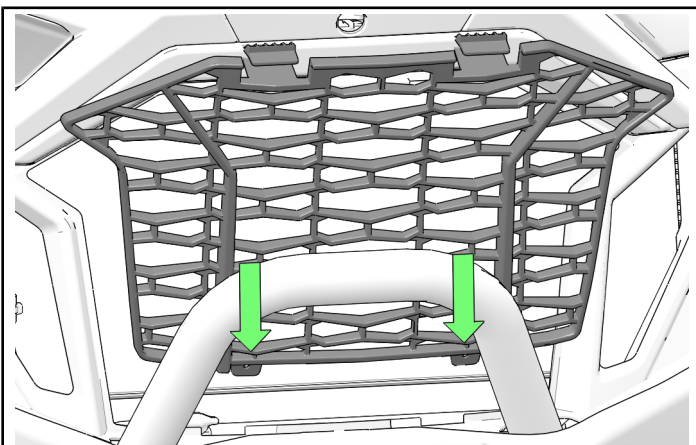
DASHBOARD STORAGE INSTALLATION

1. Slide storage compartment into dashboard cavity.

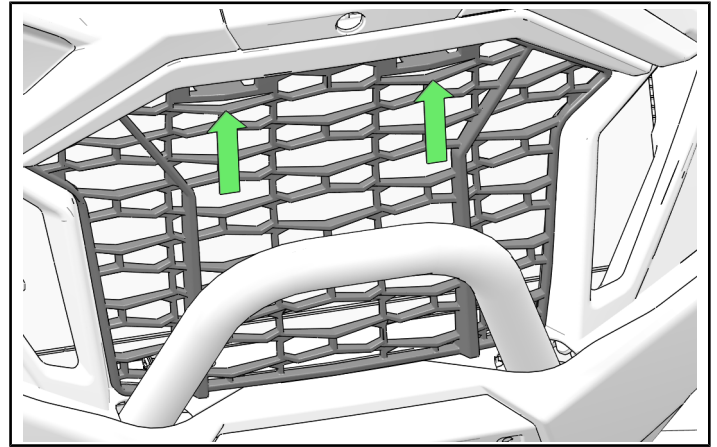


GRILLE INSTALLATION

1. Tip bottom of grille into front fascia.



2. Push top of grille into front fascia until two tabs engage with fascia and are secure.

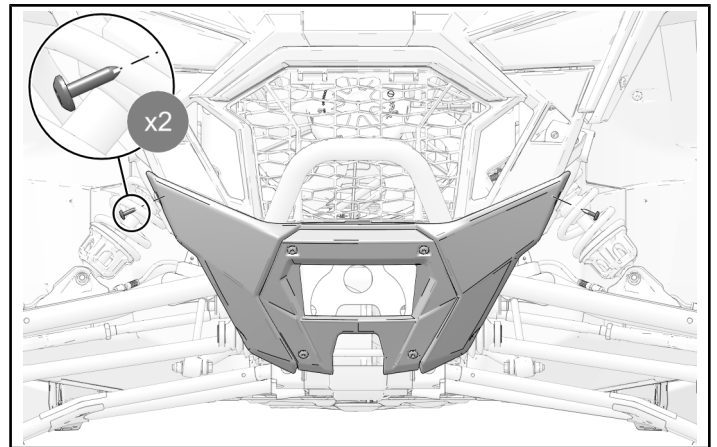


FRONT FASCIA INSTALLATION

1. Reinstall top front fascia with kept fasteners (longer).

TORQUE

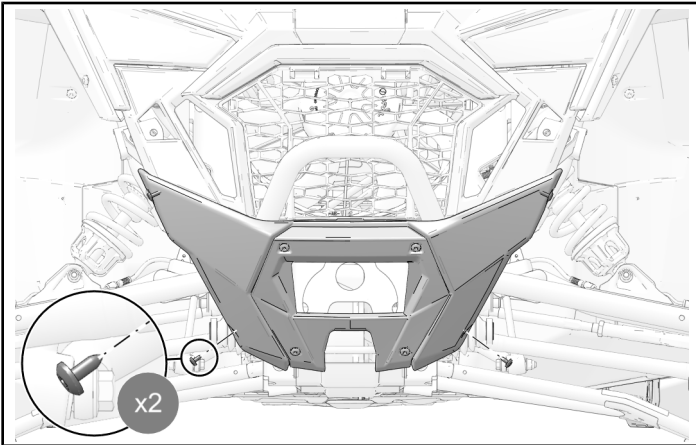
Top Fascia Fasteners (longer):
7 ft-lbs (10 N·m)



2. Reinstall bottom front fascia with kept fasteners (shorter).

TORQUE

Bottom Fascia Fasteners (shorter):
7 ft-lbs (10 N·m)



INSTRUCTION FEEDBACK FORM

A feedback form has been created for the installer to provide any comments, questions or concerns about the installation instructions. The form is viewable on mobile devices by scanning the QR code or by clicking [HERE](#) if viewing on a PC.

