

ROOF LIGHT BAR MOUNT KIT



P/N 2884650

BEFORE YOU BEGIN

Read these instructions and check to be sure all parts and tools are accounted for. Please retain these installation instructions for future reference and parts ordering information.

APPLICATION

Verify accessory fitment at www.polaris.com.

REQUIRED SOLD SEPARATELY

Only parts for installation of the Roof Light Bar Mount Kit are included. The following additional kits are also required (sold separately):

ROOF KITS

- *Poly Roof Kit*, (See dealer or website for compatible kit)
- *Aluminum Roof Kit*, (See dealer or website for compatible kit)

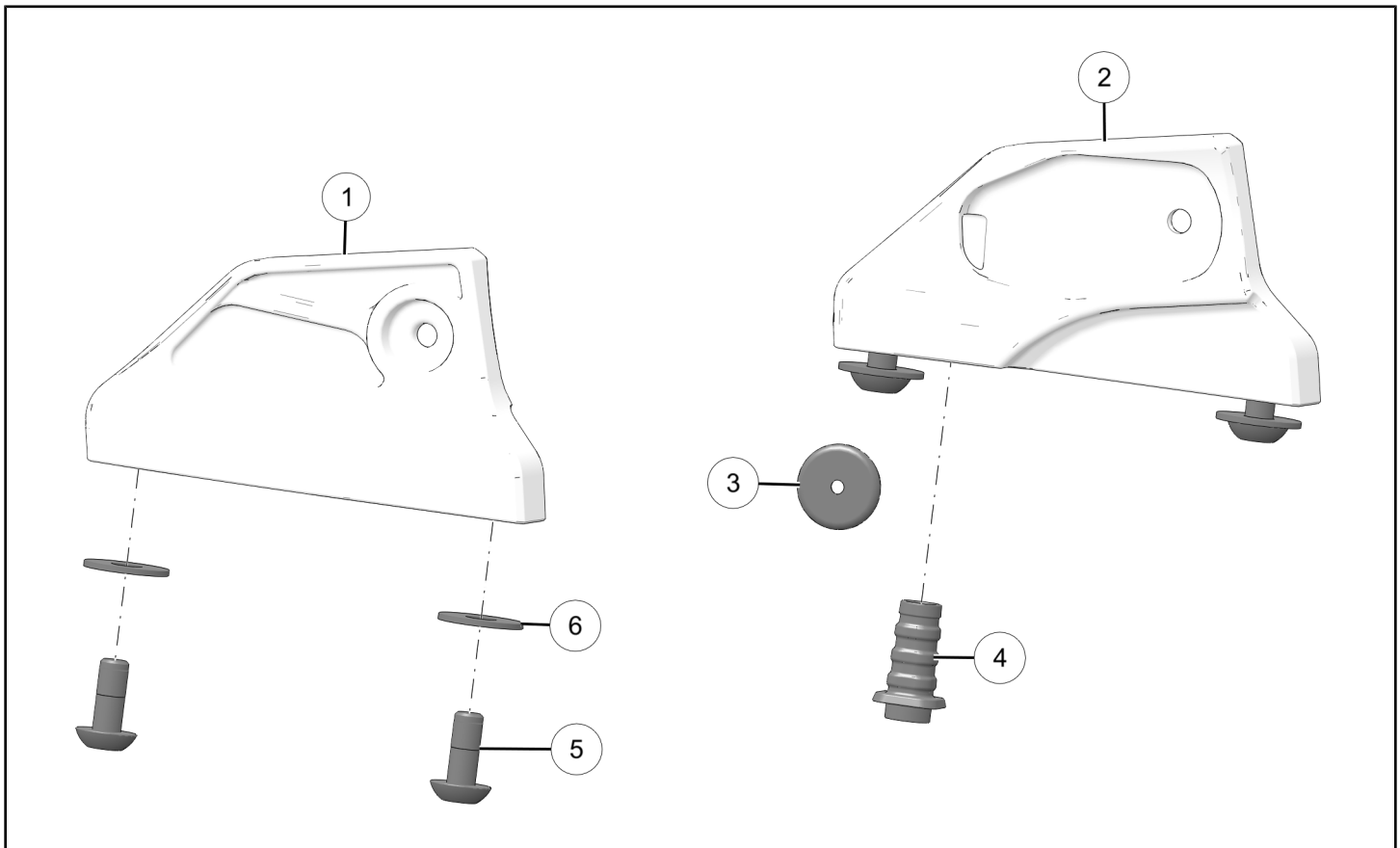
LIGHT BAR

- *32 in Light Bar*, P/N 2884648

HARNESS KIT

- *Light Bar Harness Kit*, (See dealer or website for compatible kit)

KIT CONTENTS



REF	QTY	PART DESCRIPTION	P/N AVAILABLE SEPARATELY
1	1	Mount–Light Bar, Right-Hand	n/a
2	1	Mount–Light Bar, Left-Hand	n/a
3	1	Grommet–Roll Cage	n/a
4	2	Grommet–Light Bar Mount	5417416
5	4	Screw–Torx® Truss Head, M8 x 1.25 x 20 mm	7519997
6	4	Washer–8.4 x 24 x 2.0 mm	7556045

TOOLS REQUIRED

- Safety Glasses
- Drill
- Drill Bit:
 - 3/8 in (9 mm)
 - 1/2 in (13 mm)
- Fish Tape (or equivalent)
- Pick and Hook Set
- Pliers, Needle Nose
- Pliers, Push Pin Rivet
- Ruler
- Socket Set, Metric
- Socket Set, Torx® Bit
- Tape Measure
- Torque Wrench

CONSUMABLES REQUIRED

- Grease, Polaris® All Season (or equivalent)
- Tape, Electrical
- Tape, Masking

IMPORTANT

Your Roof Light Bar Mount Kit is exclusively designed for your vehicle. Please read the installation instructions thoroughly before beginning. Installation is easier if the vehicle is clean and free of debris. For your safety, and to ensure a satisfactory installation, perform all installation steps correctly in the sequence shown.

INSTALLATION INSTRUCTIONS

[Pro Models](#), page 3

[XP Models](#), page 13

INSTALLATION INSTRUCTIONS: PRO MODELS

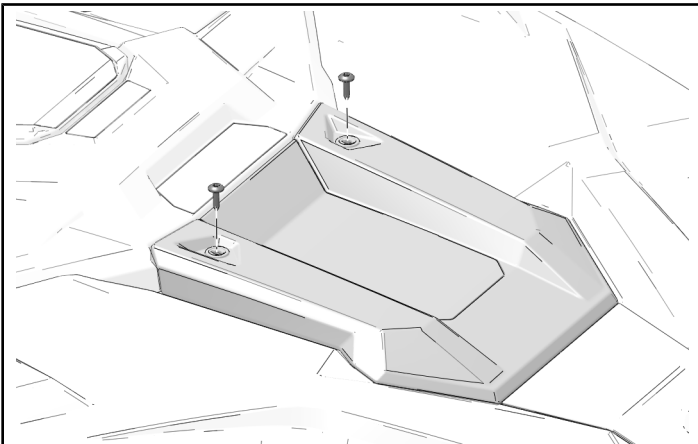
VEHICLE PREPARATION

GENERAL

1. Park vehicle on a flat surface.
2. Shift vehicle into PARK.
3. Turn key to OFF position and remove key.
4. Install *Light Bar Harness Kit* (sold separately) as per instructions.
5. Roof-equipped vehicles: Remove roof from vehicle and carefully set aside for light bar mounting preparation.

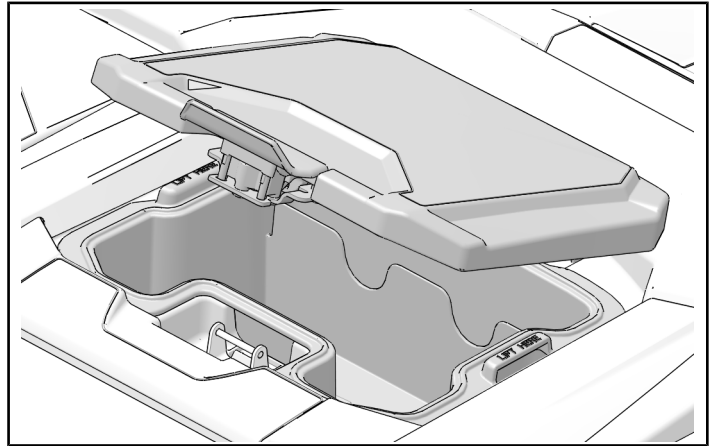
CENTER HOOD PANEL REMOVAL

1. Remove and keep two hood fasteners. Move hood towards rear of vehicle to remove.



DASHBOARD STORAGE REMOVAL

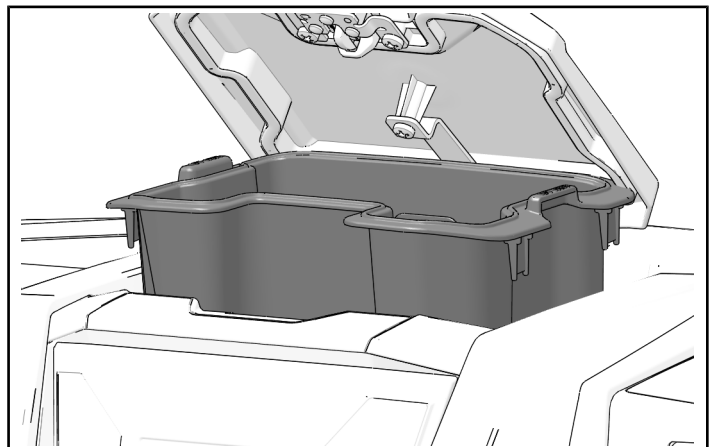
1. Open center dashboard storage compartment.



2. Remove storage compartment from dashboard.

TIP

If removing storage compartment is difficult, carefully use tool to pry storage compartment upwards where marked "LIFT HERE."

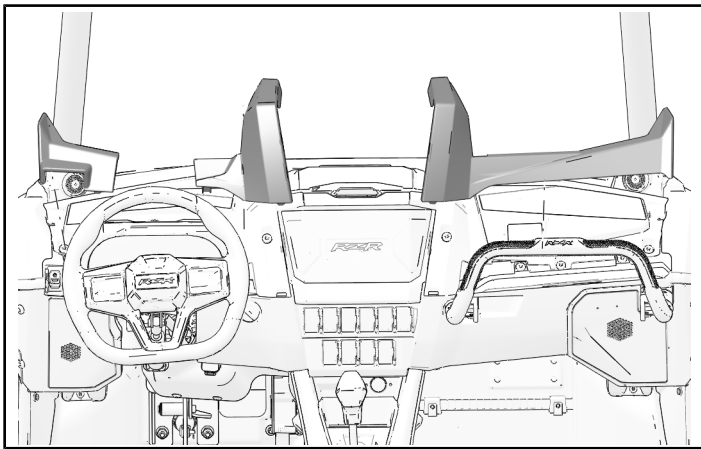


DASHBOARD TOP REMOVAL

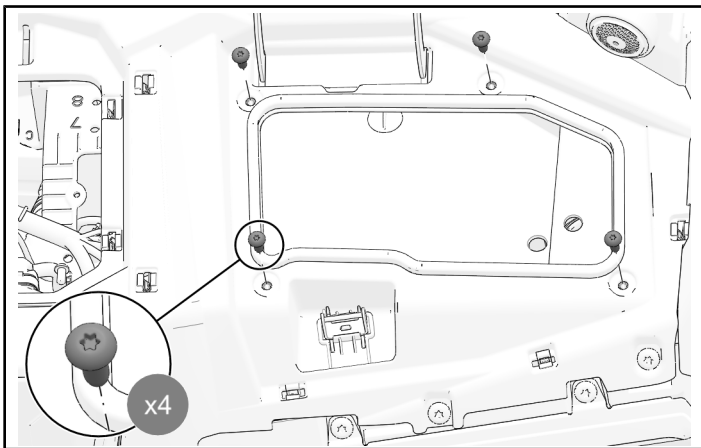
1. Carefully pull up to remove left, center, and right dashboard trim pieces.

TIP

Release steering tilt lock for improved access.



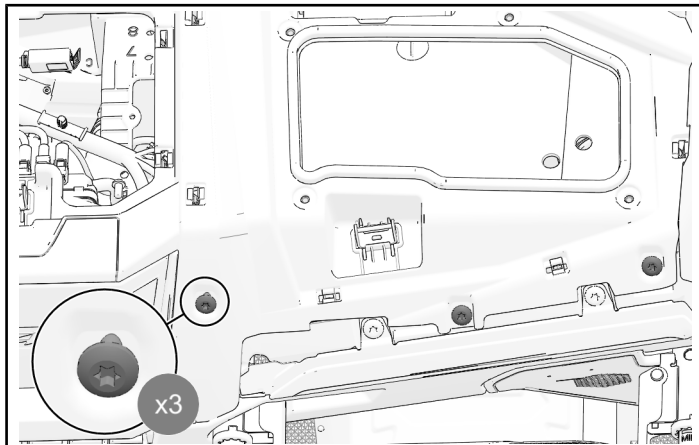
2. Open glove box lid. Remove and keep four dashboard fasteners around glove box opening.



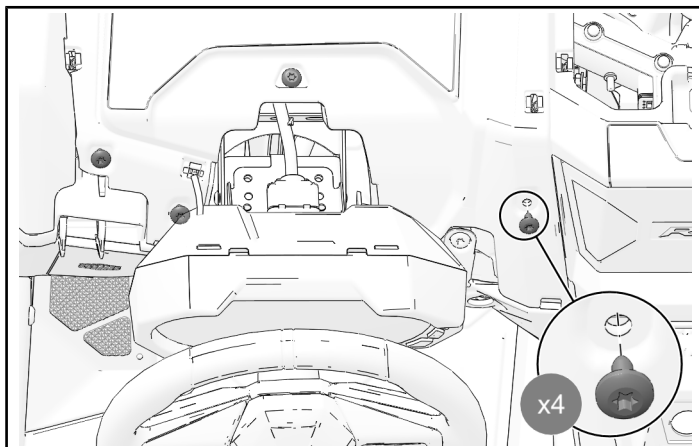
3. Remove and keep three front dashboard fasteners around glove box opening.

TIP

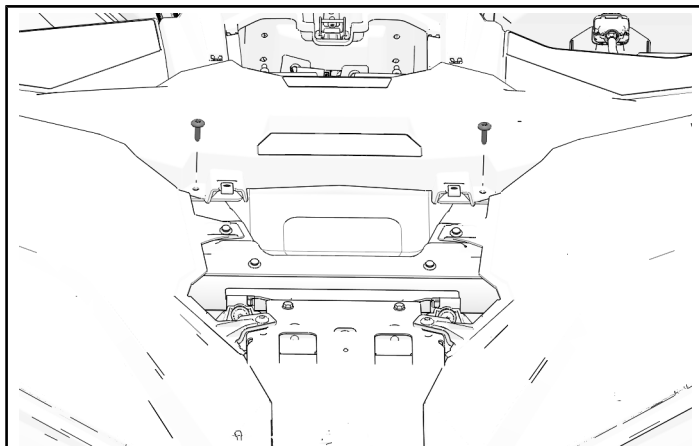
Make note of different screw sizes in steps 2 and 3.



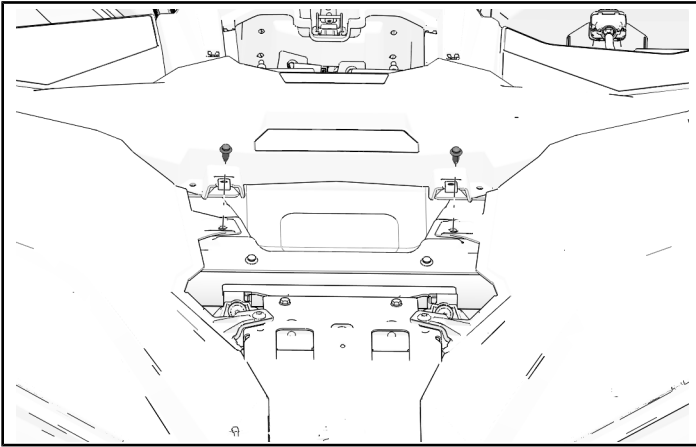
4. Tilt steering wheel down. Remove and keep four dashboard fasteners from dashboard surrounding steering wheel.



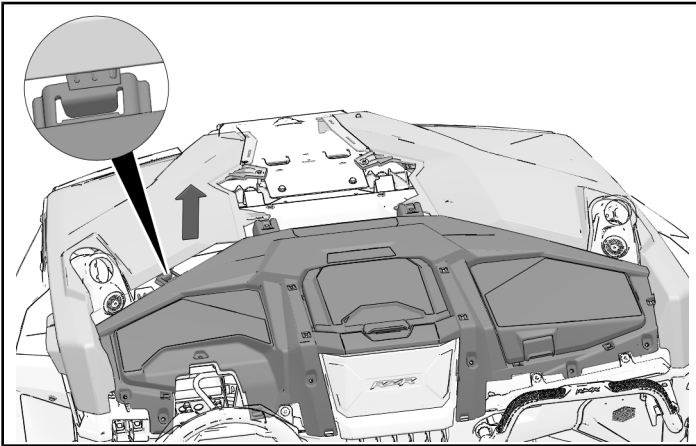
5. Remove and keep two dashboard fasteners from front of vehicle.



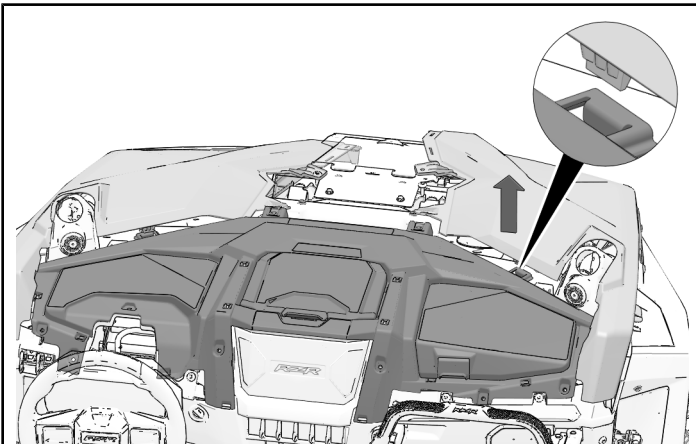
6. Remove and keep two push-pin rivets from front side hood panels.



7. Carefully lift edge of left front hood panel to release tab from dashboard top as shown.



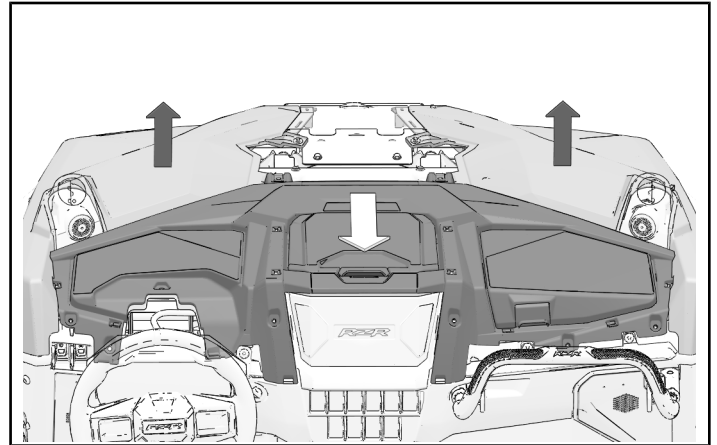
8. Carefully lift edge of right front hood panel to release tab from dashboard top as shown.



9. Carefully keep panels up-and-away from tabs and remove dashboard top by tilting rear section up and pulling out toward rear.

TIP

Two people are recommended to complete this step.

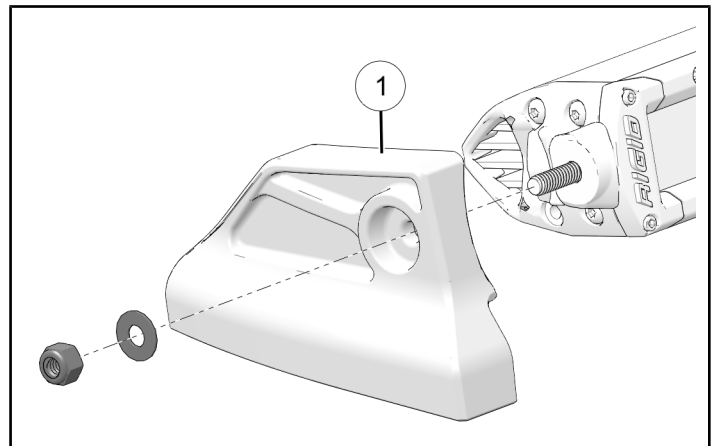


ACCESSORY INSTALLATION

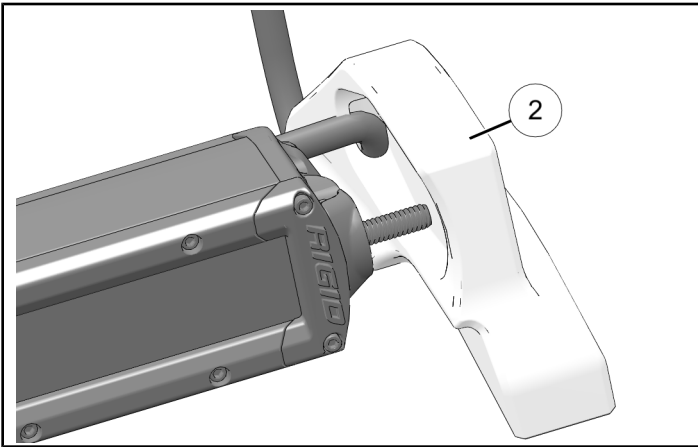
LIGHT BAR ASSEMBLY

1. Loosely install right light bar mount ① to light bar with one washer and nut, included with light bar.

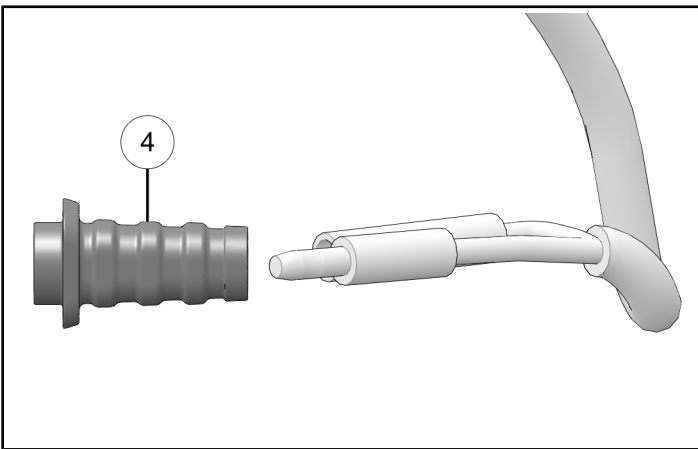
Do not torque fasteners at this time.



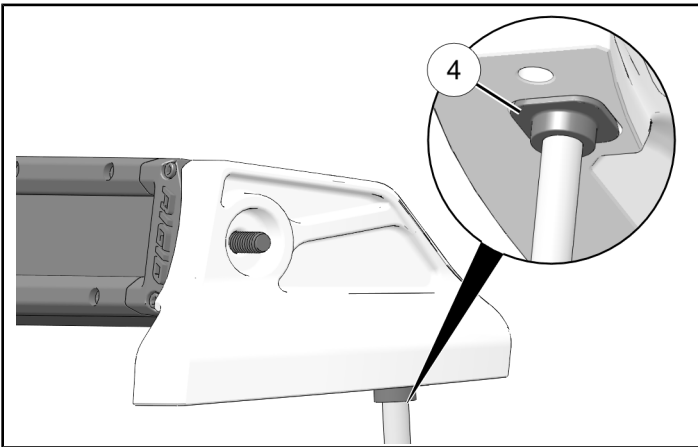
2. Feed wiring harness through left light bar mount ② and out bottom.



3. Pass harness through grommet ④.

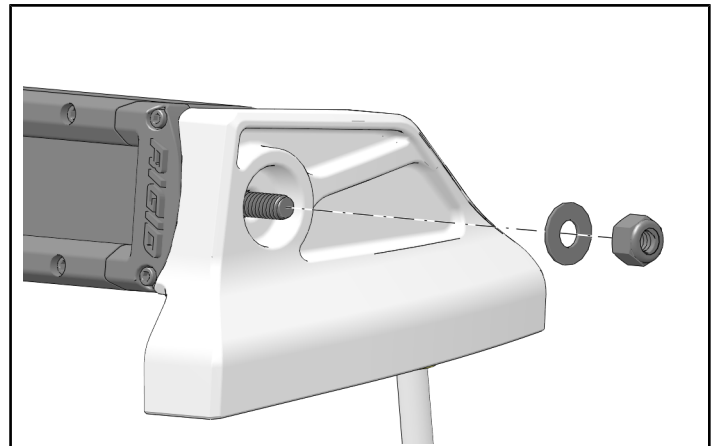


4. Install rubber grommet ④ into bottom of light bar mount.



5. Loosely install left light bar mount ③ to light bar with one washer and nut, included with light bar.

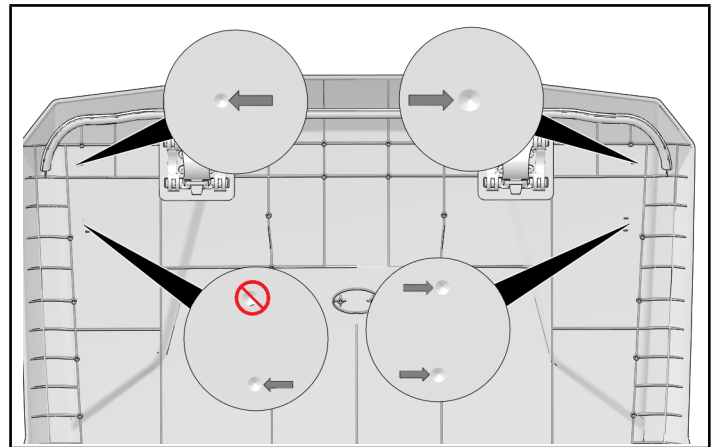
Do not tighten fasteners at this time.



ROOF PREPARATION

Poly Roof Panel (If Equipped)

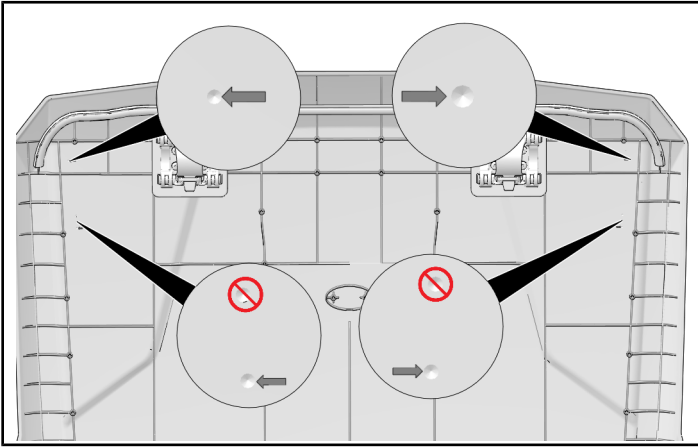
1. Locate five dimples in underside of roof (shown with arrows).



2. Drill four holes in outermost dimples as shown.

MEASUREMENT

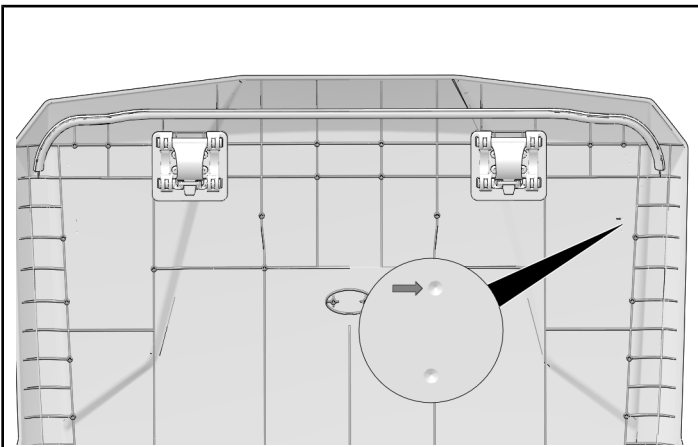
Drill Bit Size:
3/8 in (9 mm)



3. Drill one hole in driver side middle hole as shown.

MEASUREMENT

Drill Bit Size:
1/2 in (13 mm)



Aluminum Roof Panel (If Equipped)

1. Detach template page, located at the end of this instruction.
2. Locate REFERENCE DIMENSION on template page.

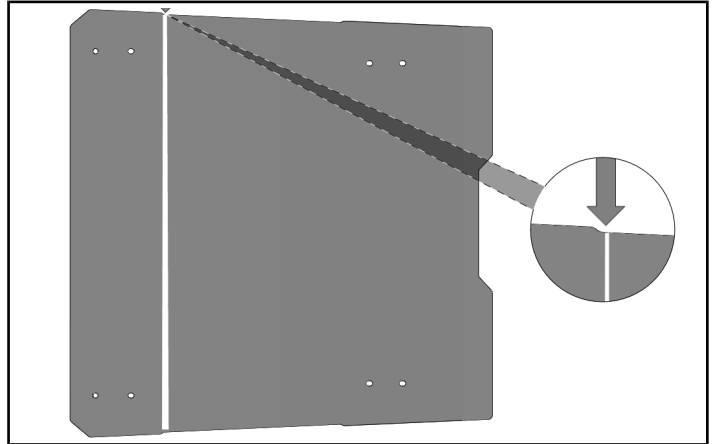
Verify REFERENCE DIMENSION is exact and template was properly printed to scale.

NOTICE

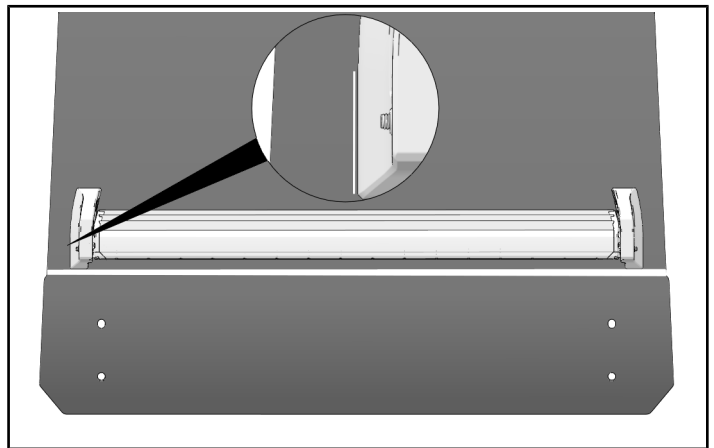
If REFERENCE DIMENSION is not exact, reprint template page from electronic file. Adjust print setting to **“Actual Size”** to obtain 1:1 scale. Electronic file available from your **Authorized Polaris® Dealer**.

3. Cut out each individual mount template.

4. Adhere masking tape (or equivalent) along front of roof, from indent to indent.



5. Align light bar along taped line. Center light bar assembly on roof and measure from bracket to roof edge to make sure each side is even. Mark roof along each outside edge of mounting brackets with a marker (or equivalent).



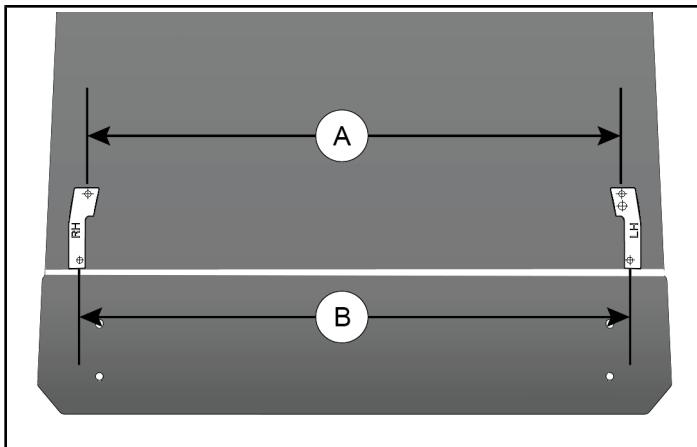
- Align templates on markings made in previous step. Use tape to hold template in place. Verify distances (center of mounting hole to center of mounting hole) are correct, according to measurements below.

MEASUREMENT

Measurement **(A)**:
33-11/32 in (847 mm)

MEASUREMENT

Measurement **(B)**:
34-3/8 in (873 mm)



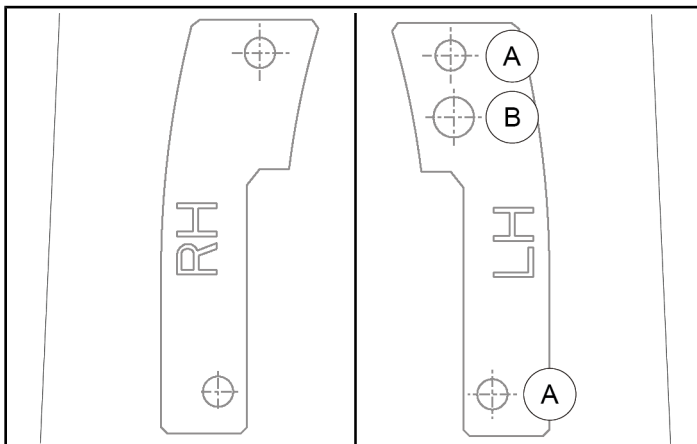
- Mark holes according to templates and drill according to measurements.

MEASUREMENT

Measurement **(A)**:
3/8 in (9.5 mm)

MEASUREMENT

Measurement **(B)**:
1/2 in (13 mm)



LIGHT BAR MOUNTING

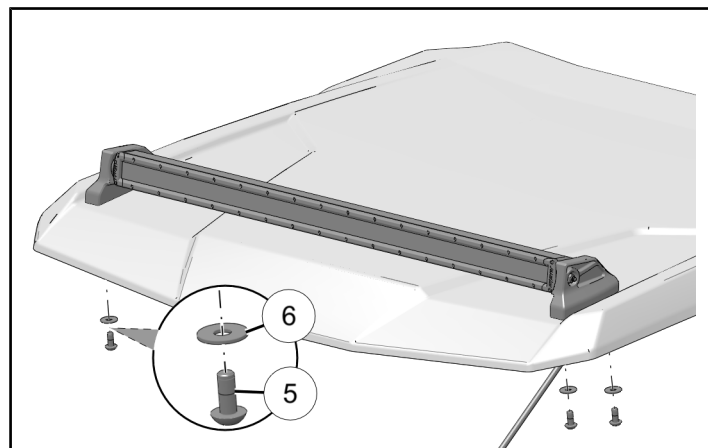
NOTICE

Poly roof shown; aluminum roof similar.

- Route wire harness through larger drilled hole and set light bar assembly on roof and loosely install four screws **(5)** and washers **(6)**. Once all four screws are installed, align light bar and torque screws **(5)** to specification.

TORQUE

Light Bar Bracket Fasteners **(5)**:
16 ft-lbs (22 N·m)

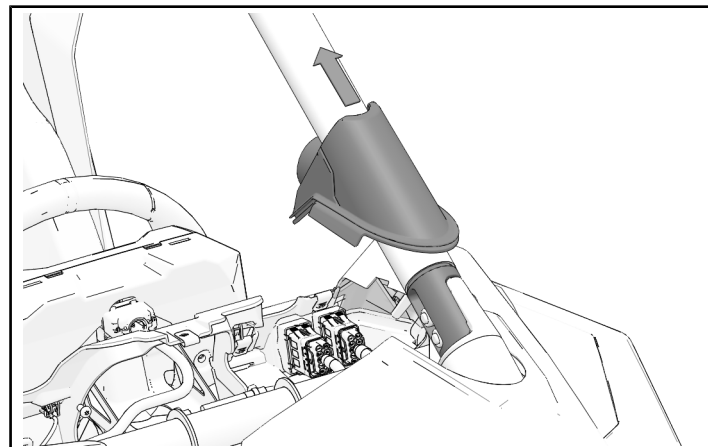


ROOF INSTALLATION

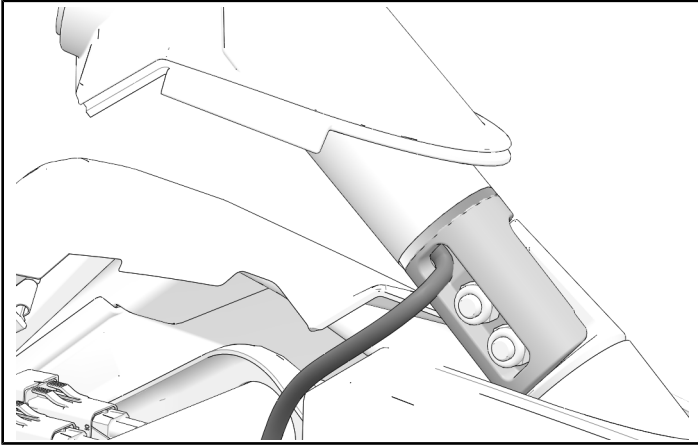
Install roof per instructions included with roof kit.

HARNESS ROUTING

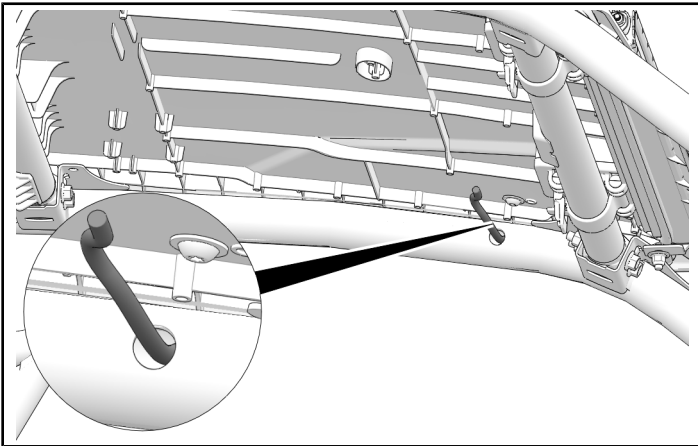
- Slide left side rubber boot up A-pillar to reveal lower brace of roll cage.



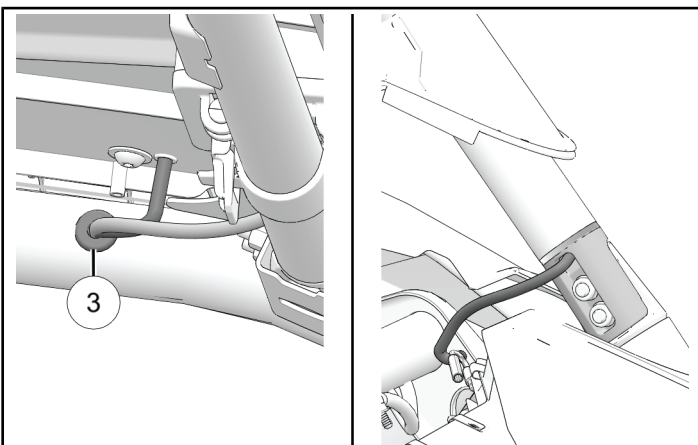
2. Feed fish tape (or equivalent) into opening in lower roll cage brace and up tubing, toward roof.



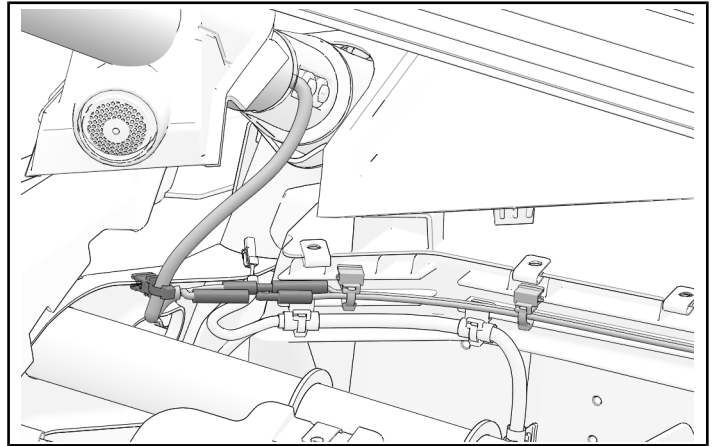
3. Locate fish tape and pull from round opening in roll cage as shown.



4. Slide grommet ③ onto light bar harness. Tape light bar harness to fish tape and pull back through hole and out opening in lower brace. Once wire is routed, install grommet ③ into round opening in roll cage to seal.



5. Join light bar harness connectors and to corresponding *Light Bar Harness Kit* connectors. Wrap connectors in electrical tape. Attach edge clip to firewall as shown.



LIGHT BAR ADJUSTMENT

1. Adjust aim of light bar to desired position and tighten outer nuts to specification.

TORQUE

Light Bar End Nuts:
16 ft-lbs (22 N·m)

VEHICLE REASSEMBLY

GENERAL

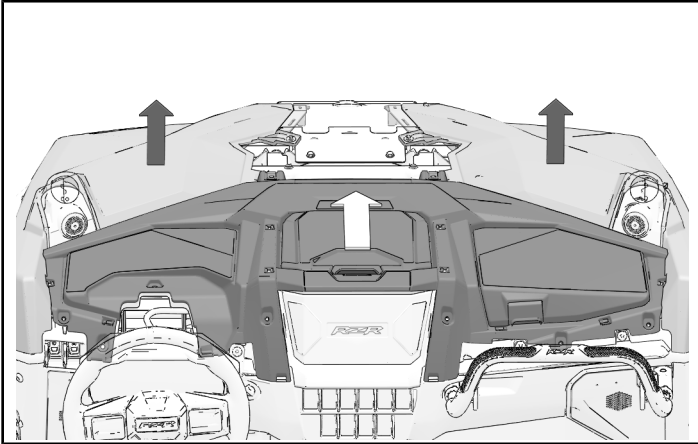
1. Turn vehicle on.
2. Verify light bar operates. Press switch, installed from *Light Bar Harness Kit* (sold separately), to turn light bar on/off.

DASHBOARD TOP INSTALLATION

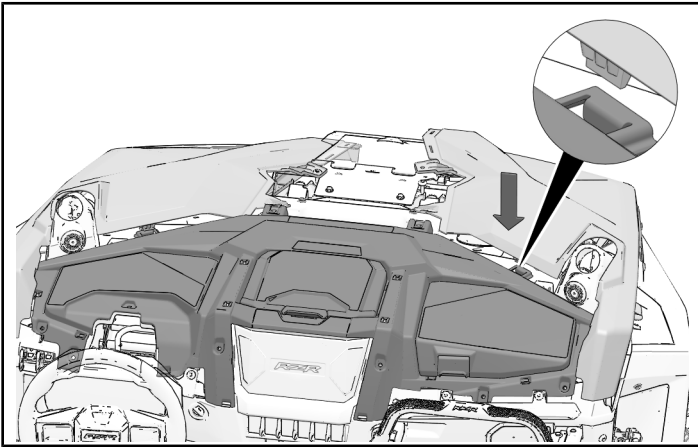
1. Carefully lift panels up-and-away from tabs and install dashboard top into place by tilting rear section up and installing front section first, then lower rear section into place.

TIP

Two people are recommended to complete this step.



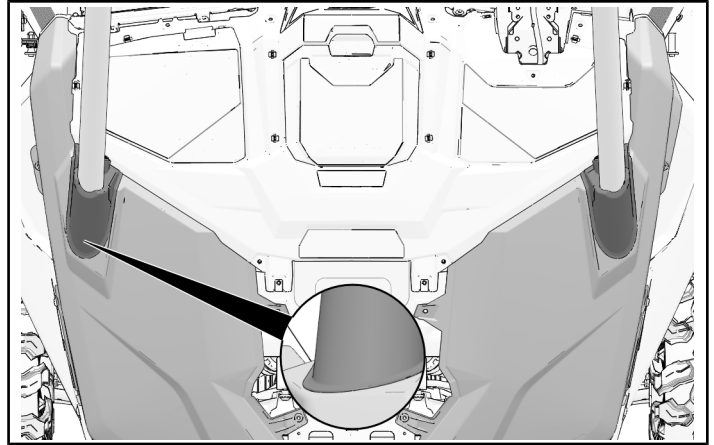
2. Make sure tabs on panels are aligned in slots on dashboard top. (Passenger-side panel shown; driver-side panel similar.)



3. Make sure both rubber boots are properly seated around hood panels. Only upper lip should be visible, as shown with inset.

TIP

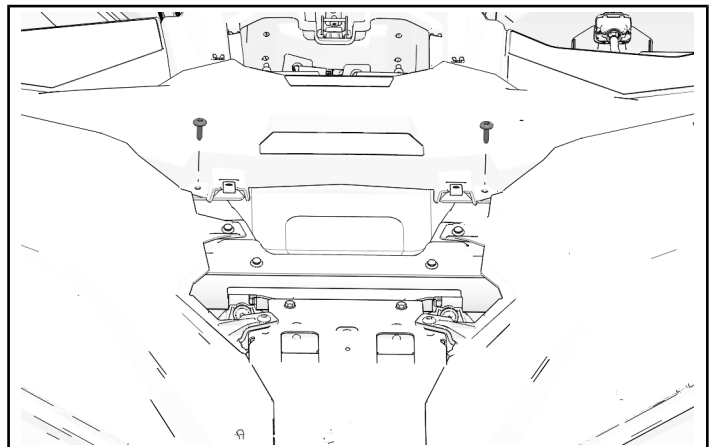
Push up on inside of fender to ease installation.



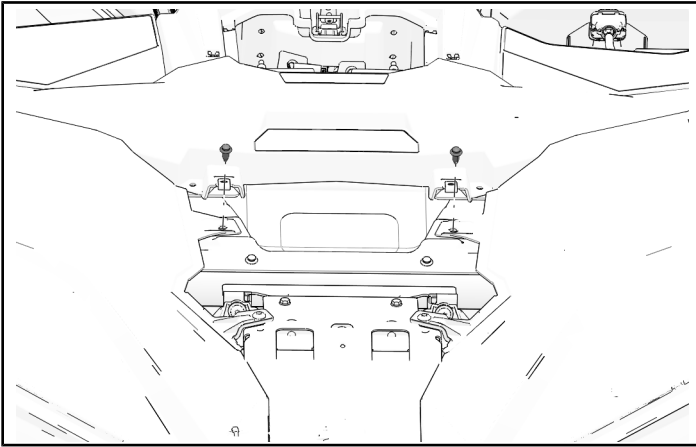
4. Reinstall two retained front dashboard fasteners into front edge of top dashboard.

TORQUE

Front Dashboard Fasteners:
88 in-lbs (10 N·m)



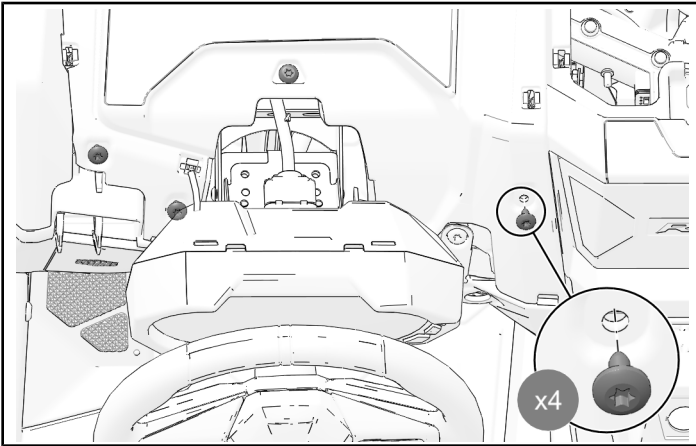
5. Install hood panels to vehicle with two retained push-pin rivets



6. Tilt steering wheel down. Install four retained screws through dashboard top and torque to specification.

TORQUE

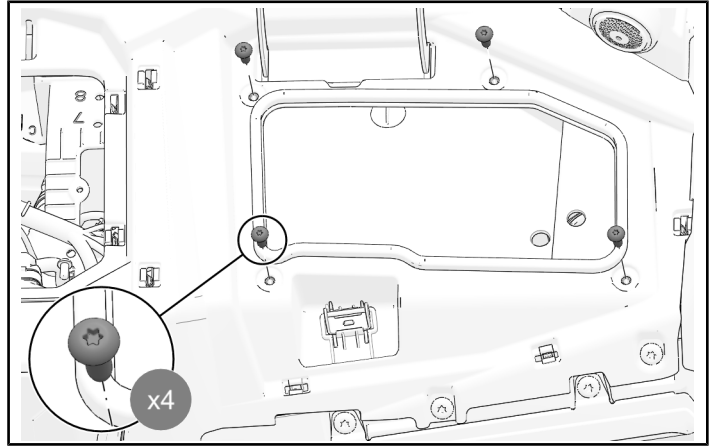
Dashboard Fasteners:
88 in-lbs (10 N·m)



7. Open glove box lid and reinstall storage compartment. Install four retained dashboard fasteners around glove box opening.

TORQUE

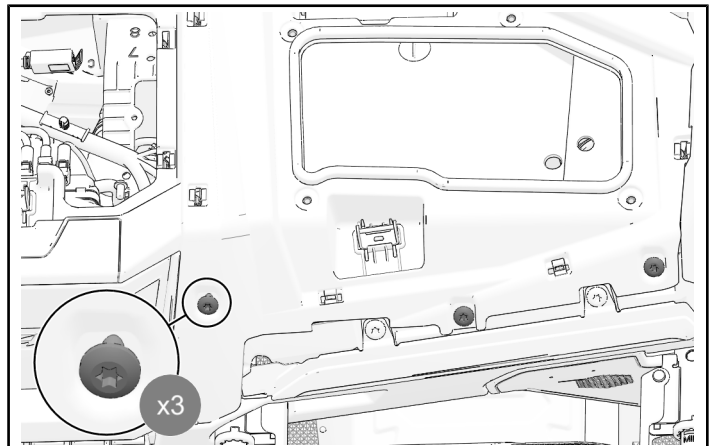
Dashboard Fasteners:
88 in-lbs (10 N·m)



8. Install front of dashboard with three retained dashboard fasteners.

TORQUE

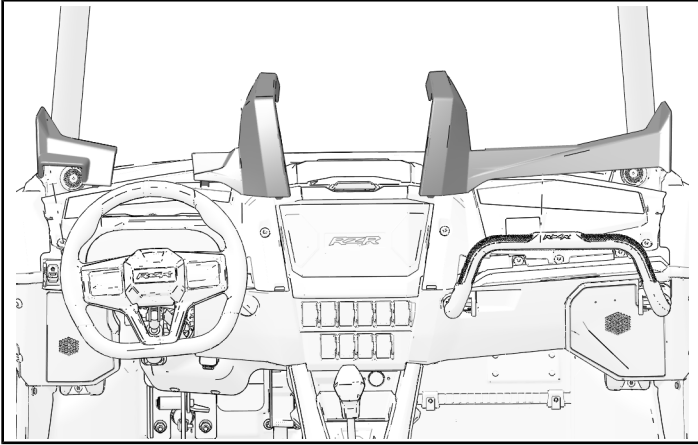
Dashboard Fasteners:
88 in-lbs (10 N·m)



9. Install retained left, center, and right dashboard trim pieces.

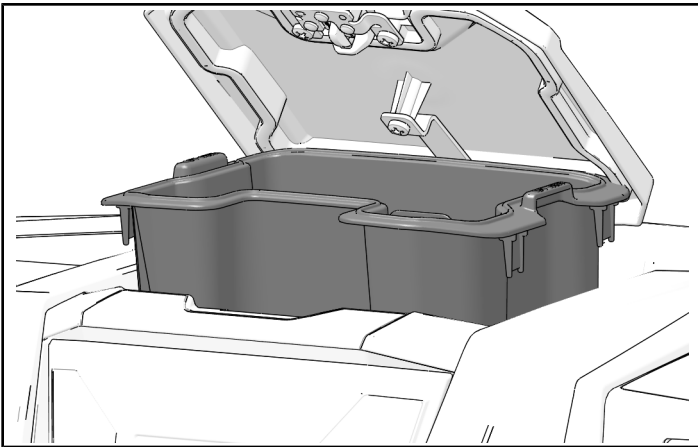
TIP

Release steering tilt lock for improved access.



DASHBOARD STORAGE INSTALLATION

1. Put storage compartment into dashboard cavity.

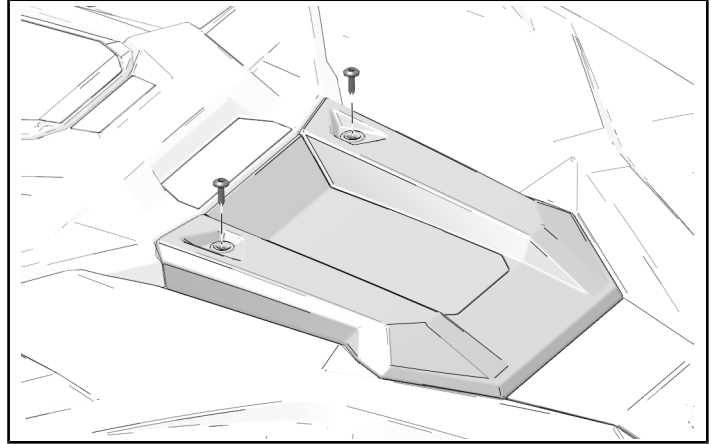


CENTER HOOD PANEL INSTALLATION

1. Move panel forward until tabs slide into front hood panel and install with two hood fasteners.

TORQUE

Hood Fasteners:
88 in-lbs (10 N·m)



INSTALLATION INSTRUCTIONS: XP MODELS

VEHICLE PREPARATION

GENERAL

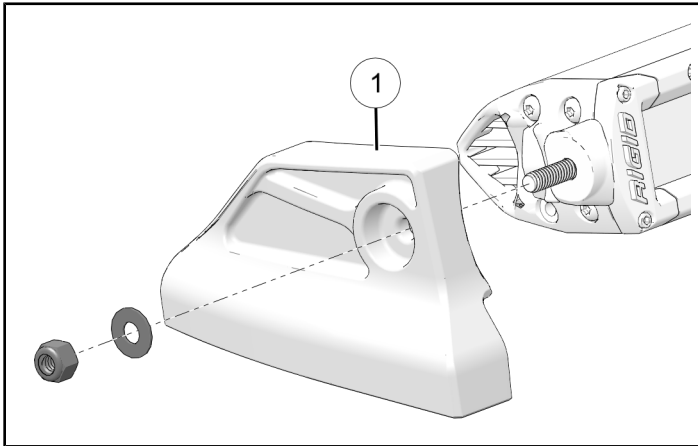
1. Park vehicle on a flat surface.
2. Shift vehicle into PARK.
3. Turn key to OFF position and remove key.
4. Install *Light Bar Harness Kit* (sold separately) as per instructions.
5. Roof-equipped vehicles: Remove roof from vehicle and carefully set aside for light bar mounting preparation.

ACCESSORY INSTALLATION

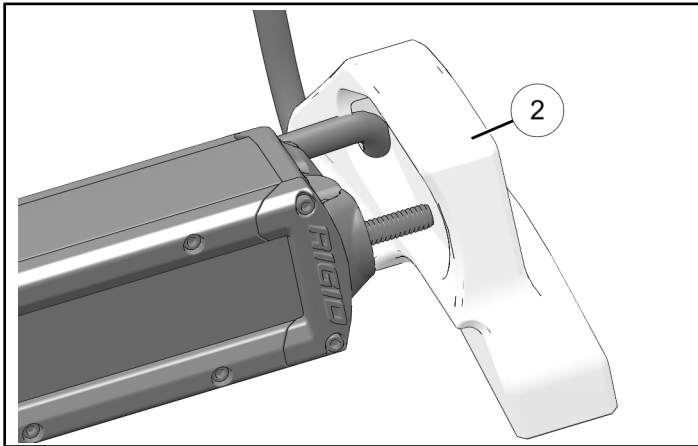
LIGHT BAR ASSEMBLY

1. Loosely install right light bar mount ① to light bar with one washer and nut, included with light bar.

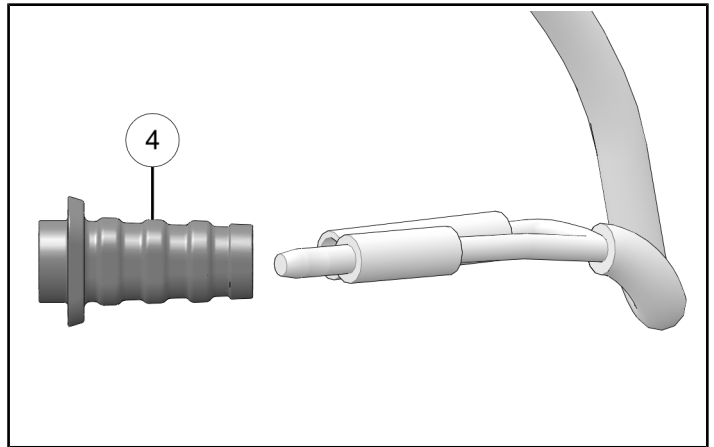
Do not torque fasteners at this time.



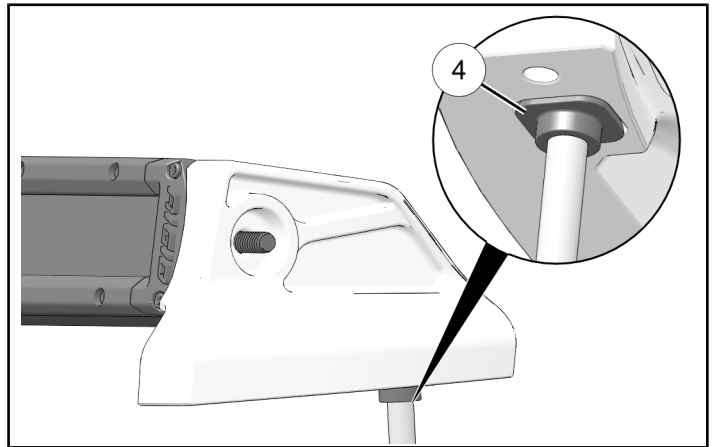
2. Feed wiring harness through left light bar mount ② and out bottom.



3. Pass harness through grommet ④.

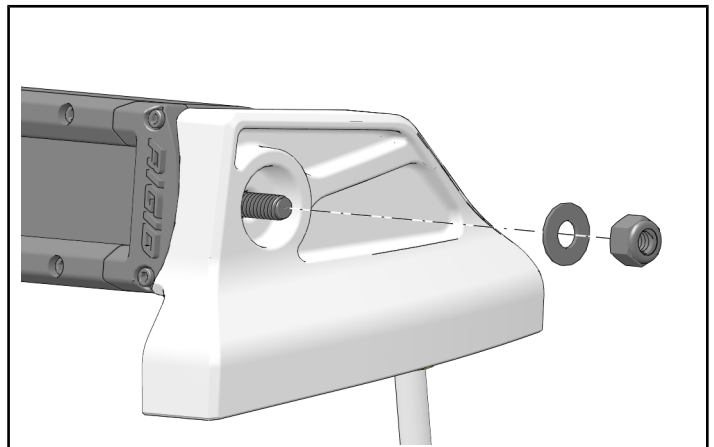


4. Install rubber grommet ④ into bottom of light bar mount.



5. Loosely install left light bar mount ③ to light bar with one washer and nut, included with light bar.

Do not tighten fasteners at this time.



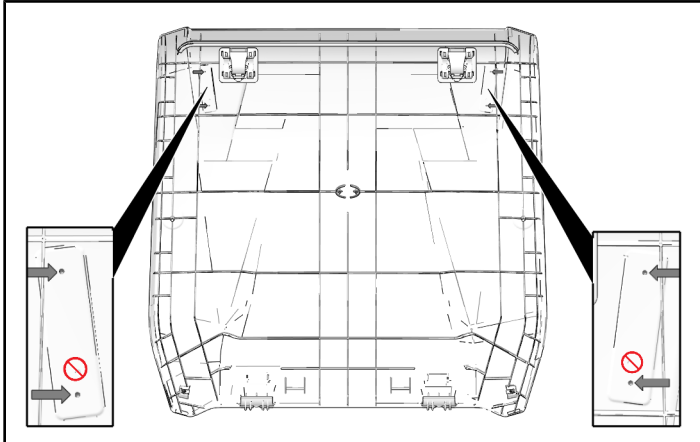
ROOF PREPARATION

Poly Roof Panel (If Equipped)

1. Drill four holes in outermost dimples as shown.

MEASUREMENT

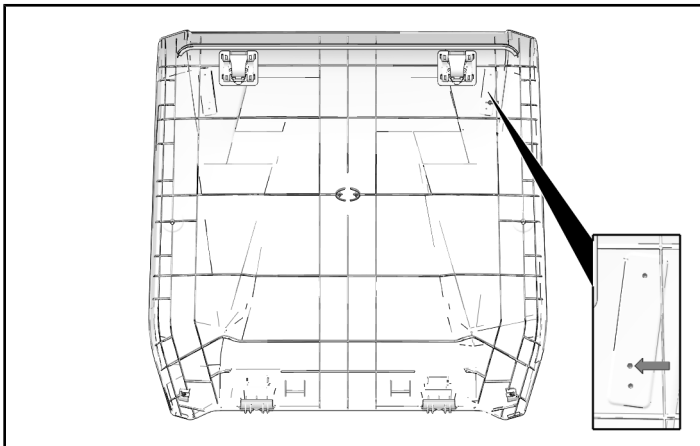
Drill Bit Size:
3/8 in (9 mm)



2. Drill one hole in driver side middle hole as shown.

MEASUREMENT

Drill Bit Size:
1/2 in (13 mm)



Aluminum Roof Panel (If Equipped)

1. Detach template page, located at the end of this instruction.

2. Locate REFERENCE DIMENSION on template page.

Verify REFERENCE DIMENSION is exact and template was properly printed to scale.

NOTICE

If REFERENCE DIMENSION is not exact, reprint template page from electronic file. Adjust print setting to **“Actual Size”** to obtain 1:1 scale. Electronic file available from your **Authorized Polaris® Dealer**.

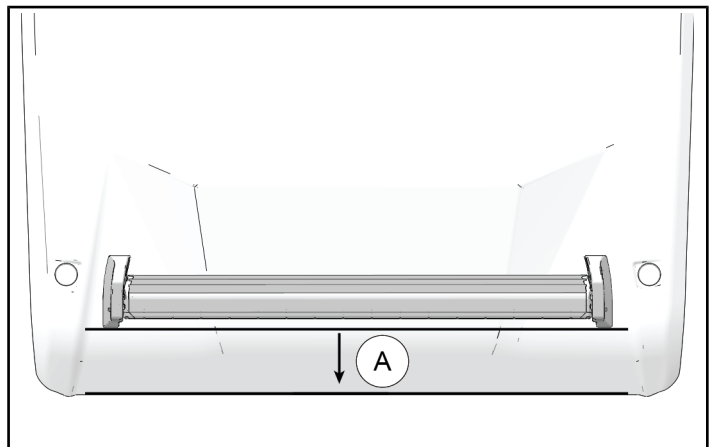
3. Cut out each individual mount template.
4. Put light bar assembly **5-34/64 in (141 mm)** back from front edge of light bar.

TIP

Apply a line of masking tape in front of light bar mounts to help with alignment.

MEASUREMENT

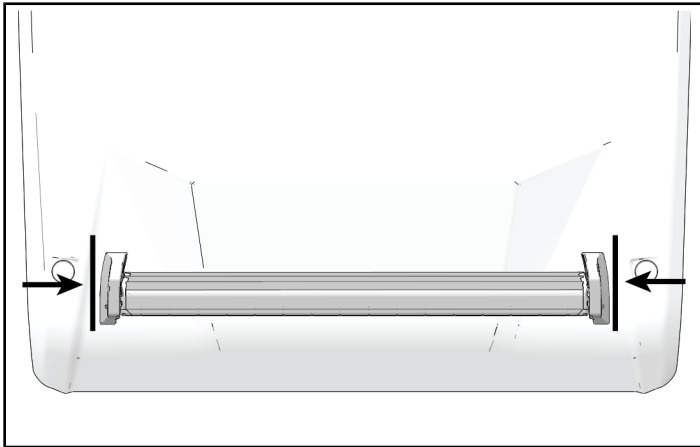
Measurement (A):
5-1/2 in (140 mm)



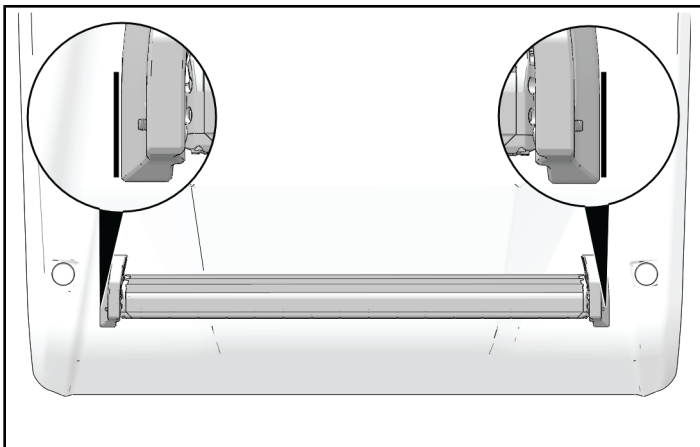
5. Center light bar on roof.

TIP

Use a soft tape measure or measure front edge of mount to roof contour.



6. Mark roof on each side of the light bar mounts to properly align templates.



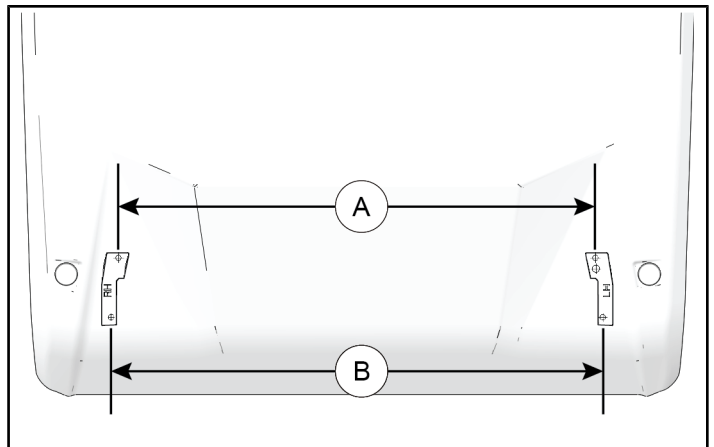
7. Align templates on markings made in previous step. Use tape to hold template in place. Verify distances (center of mounting hole to center of mounting hole) are correct, according to measurements below.

MEASUREMENT

Measurement **Ⓐ**:
33-11/32 in (847 mm)

MEASUREMENT

Measurement **Ⓑ**:
34-3/8 in (873 mm)



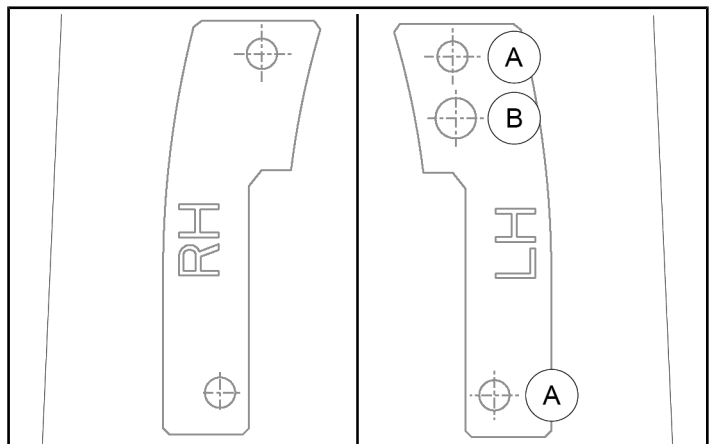
8. Mark holes according to templates and drill according to measurements.

MEASUREMENT

Measurement **Ⓐ**:
3/8 in (9.5 mm)

MEASUREMENT

Measurement **Ⓑ**:
1/2 in (13 mm)



LIGHT BAR MOUNTING

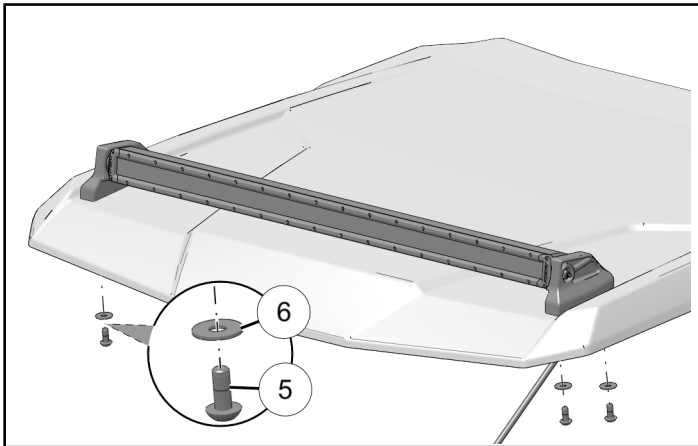
NOTICE

Poly roof shown; aluminum roof similar.

1. Route wire harness through larger drilled hole and set light bar assembly on roof and loosely install four screws ⑤ and washers ⑥. Once all four screws are installed, align light bar and torque screws ⑤ to specification.

TORQUE

Light Bar Bracket Fasteners ⑤:
16 ft-lbs (22 N·m)

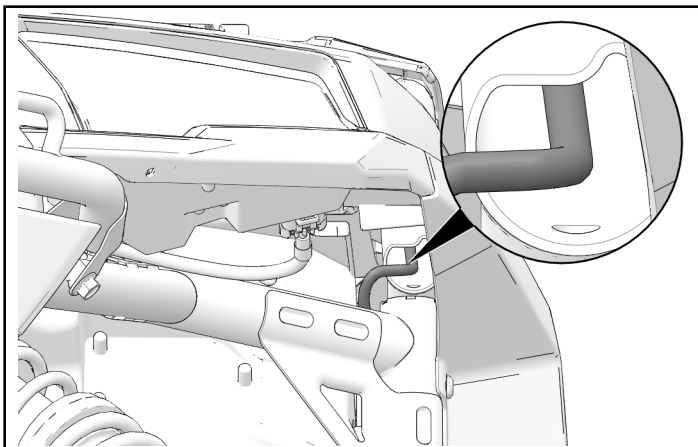


ROOF INSTALLATION

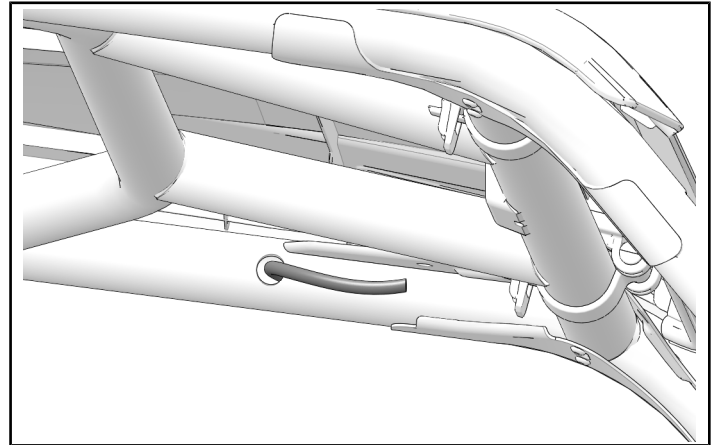
Install roof per instructions included with roof kit.

LIGHT BAR HARNESS ROUTING

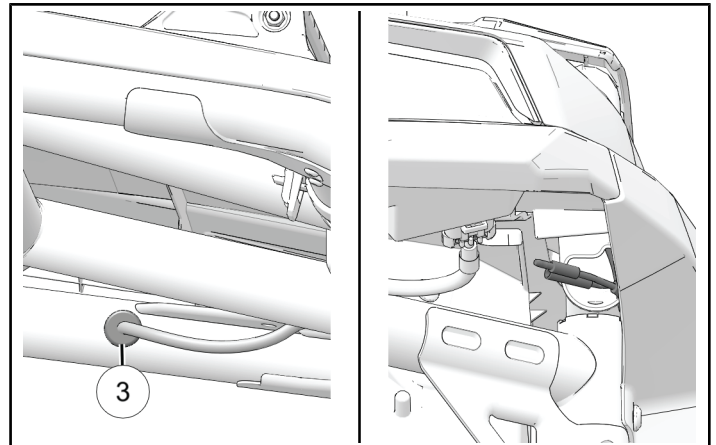
1. Feed fish tape (or equivalent) into opening in lower roll cage opening and up tubing, toward roof.



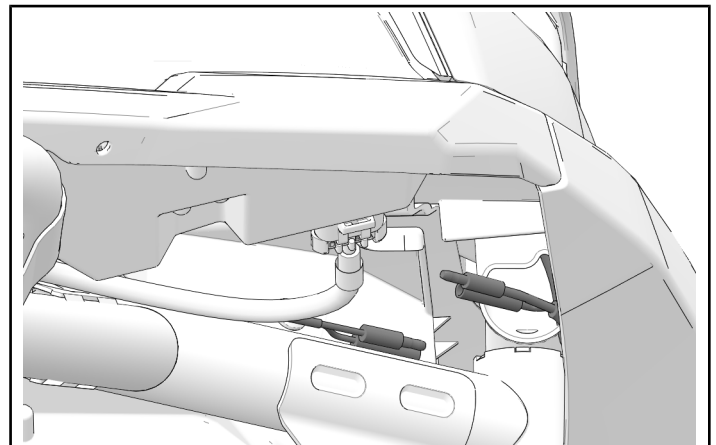
2. Locate fish tape and pull from round opening in roll cage as shown.



3. Slide grommet ③ onto light bar harness. Tape light bar harness to fish tape and pull back through hole and out opening in wheel well. Once wire is routed, install grommet ③ into round opening in roll cage to seal.



4. Connect light bar to previously installed *Light Bar Harness Kit* (sold separately). Wrap connectors in electrical tape.



LIGHT BAR ADJUSTMENT

1. Adjust aim of light bar to desired position and tighten outer nuts to specification.

TORQUE

Light Bar End Nuts:
16 ft-lbs (22 N·m)

VEHICLE REASSEMBLY

GENERAL

1. Turn vehicle on.
2. Verify light bar operates. Press switch, installed from *Light Bar Harness Kit* (sold separately), to turn light bar on/off.

INSTRUCTION FEEDBACK FORM

A feedback form has been created for the installer to provide any comments, questions or concerns about the installation instructions. The form is viewable on mobile devices by scanning the QR code or by clicking [HERE](#) if viewing on a PC.



THIS PAGE INTENTIONALLY LEFT BLANK

