

CHASE LIGHT MOUNT KIT



P/N 2884896; 2889034

BEFORE YOU BEGIN

Read these instructions and check to be sure all parts and tools are accounted for. Please retain these installation instructions for future reference and parts ordering information.

APPLICATION

Verify accessory fitment at www.polaris.com.

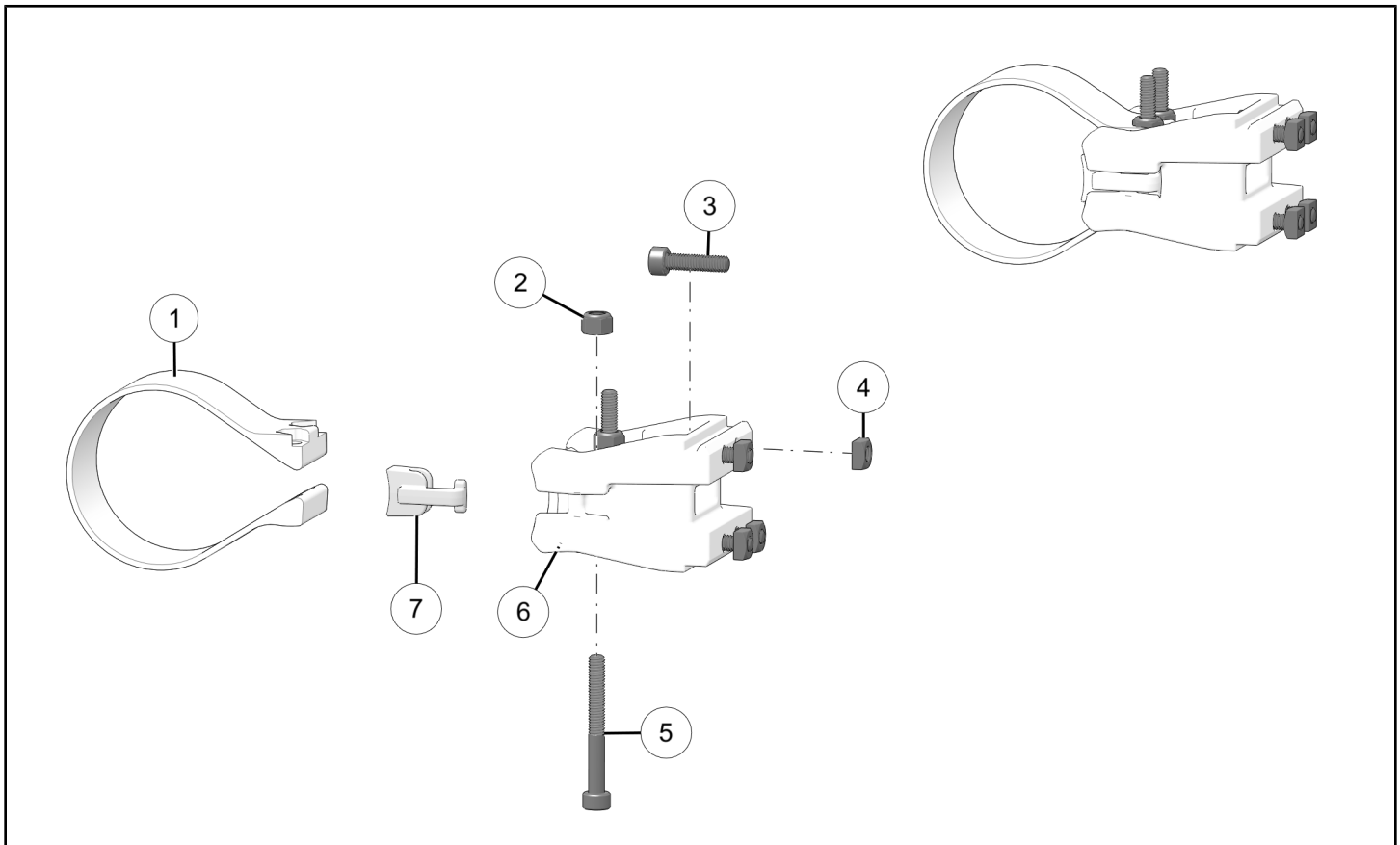
REQUIRED SOLD SEPARATELY

Only parts for installation of the Chase Light Mount Kit are included. For complete installation, the following additional kit is required (sold separately):

- *Chase Light*, P/N 2884359

KIT CONTENTS

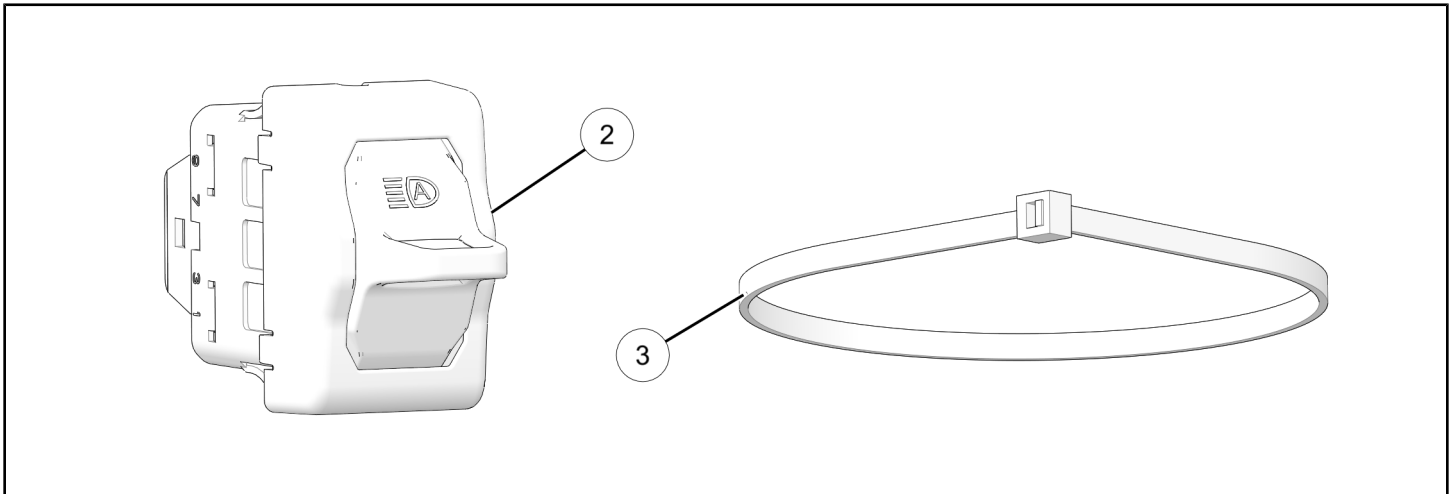
CHASE LIGHT MOUNT KIT P/N 2884896



REF	QTY	PART DESCRIPTION	P/N AVAILABLE SEPARATELY
1	2	Clamp–Chase Light,	n/a
2	4	Nut–Hex	n/a
3	8	Screw–Socket Head (shorter)	n/a

REF	QTY	PART DESCRIPTION	P/N AVAILABLE SEPARATELY
4	8	Nut-Square	n/a
5	4	Screw-Socket Head (longer)	n/a
6	2	Mount-Chase Light	n/a
7	4	Bumpers-Rubber	n/a
8	2	Mount-Chase Light, Angled (not shown, similar to ⑥)	n/a

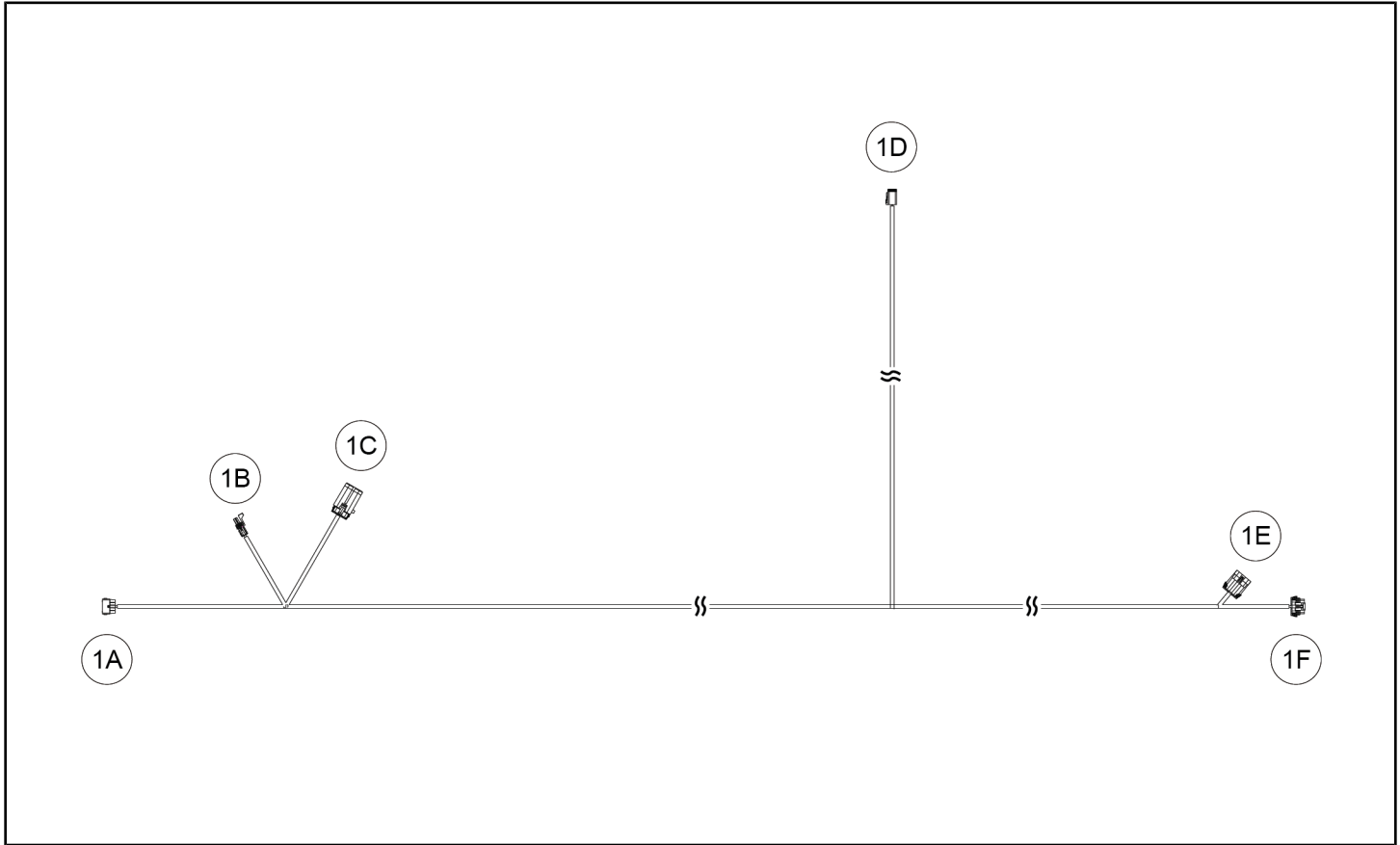
CHASE LIGHT HARNESS KIT P/N 2889034



REF	QTY	PART DESCRIPTION	P/N AVAILABLE SEPARATELY
1	1	Harness-Chase Light (see Harness Detail)	n/a
2	1	Switch-Light	4019232
3	25	Cable Tie	n/a

HARNES DETAIL

CHASE LIGHT HARNESS ①



REF	PART DESCRIPTION	PIN QTY/ GENDER	CONNECTS TO
1A	Light Switch	10 Pin/ Female	Switch ②
1B	Connector–Pulse Bar	3 Pin/ Female	Polaris Pulse® Bar
1C	Fuse Block	n/a	Accessory Mounting Panel
1D	Connector–Chase Light	6 Pin/ Female	Chase Light (sold separately)
1E	Connector–Chassis Harness	10 Pin/ Male	Chassis Harness
1F	Connector–Brake Harness	10 Pin/ Female	Brake Light Harness

TOOLS REQUIRED

- Safety Glasses
- Hex Key Set, Metric
- Pliers, Push Pin Rivet
- Screwdriver Set, Torx®
- Socket Set, Hex Bit, Metric
- Socket Set, Metric
- Socket Set, Torx® Bit
- Torque Wrench

IMPORTANT

Your Chase Light Mount Kit is exclusively designed for your vehicle. Please read the installation instructions thoroughly before beginning. Installation is easier if the vehicle is clean and free of debris. For your safety, and to ensure a satisfactory installation, perform all installation steps correctly in the sequence shown.

INSTALLATION INSTRUCTIONS

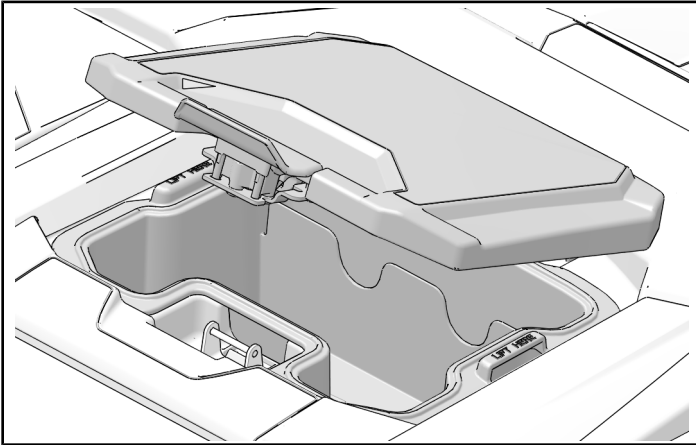
VEHICLE PREPARATION

GENERAL

1. Shift vehicle transmission into PARK.
2. Turn key to OFF position and remove from vehicle.

DASHBOARD STORAGE REMOVAL

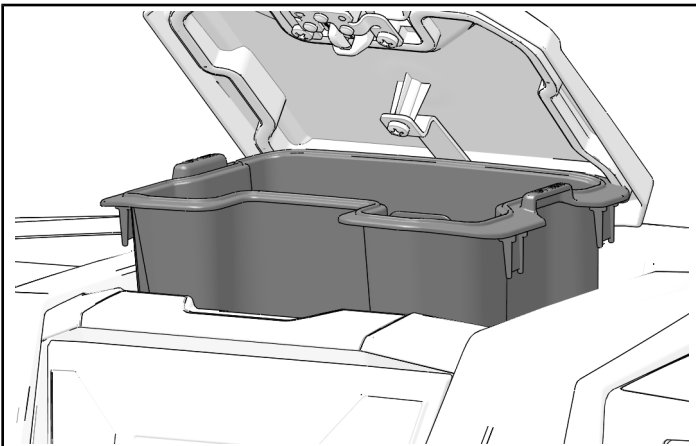
1. Open center dashboard storage compartment.



2. Remove storage compartment from dashboard.

TIP

If removing storage compartment is difficult, carefully use tool to pry storage compartment upwards where marked "LIFT HERE."



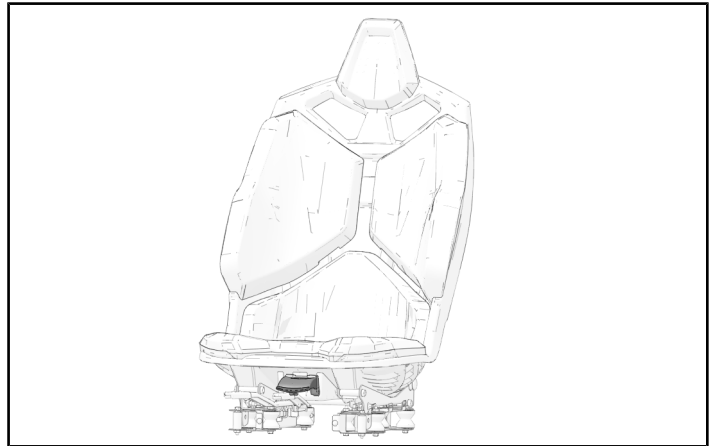
SEAT REMOVAL

FRONT SEAT REMOVAL

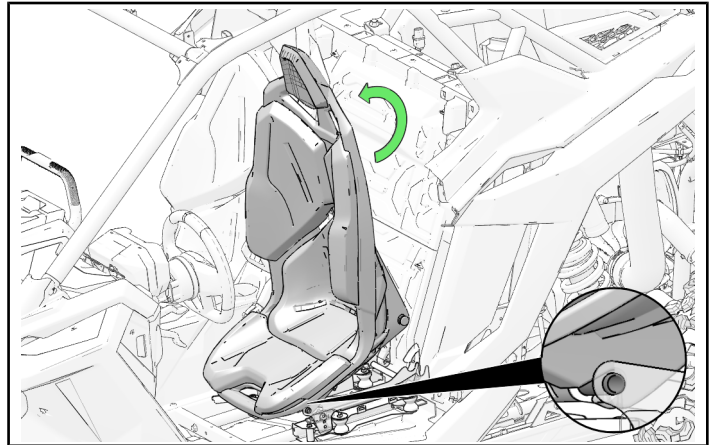
NOTICE

Driver seat shown; passenger seat similar.

1. Pull up on lever, located below front of seat.



2. Tilt seat assembly forward and pull back slightly to disengage from receiver tube and remove seat from vehicle.

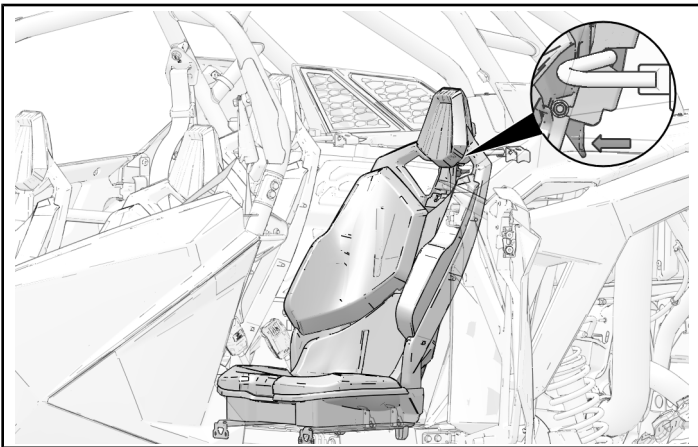


REAR SEAT REMOVAL (IF APPLICABLE)

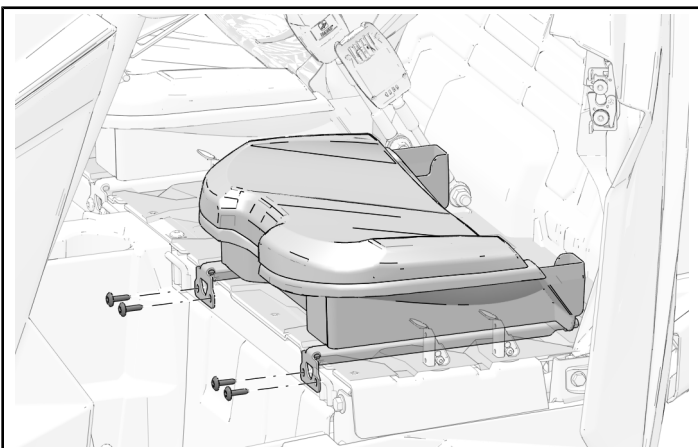
NOTE

Left rear seat shown; right rear similar.

1. Push lever on back of headrest to disengage from receiver tube. Remove seat backrest from vehicle.



2. Remove and retain four seat bracket fasteners. Remove seat from rear seat panel.

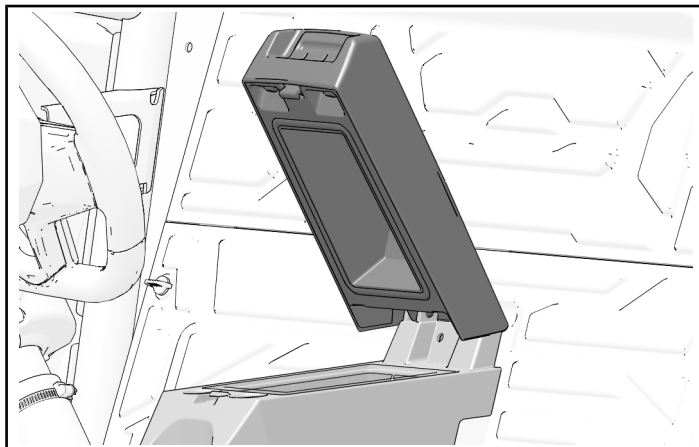


FRONT CENTER CONSOLE DISASSEMBLY

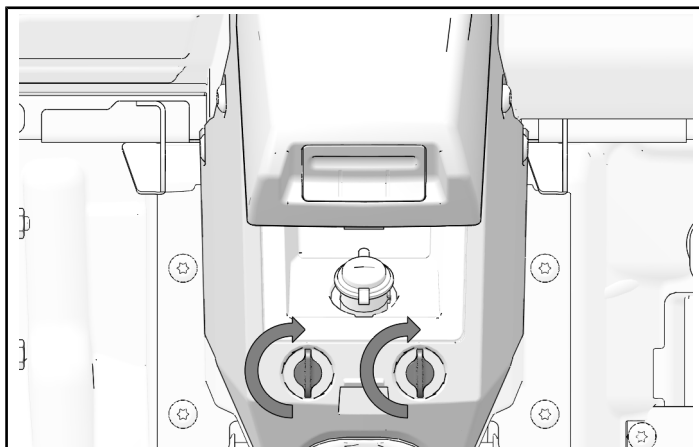
STORAGE COMPARTMENT REMOVAL

Storage Compartment Removal applies to two-passenger vehicles only.

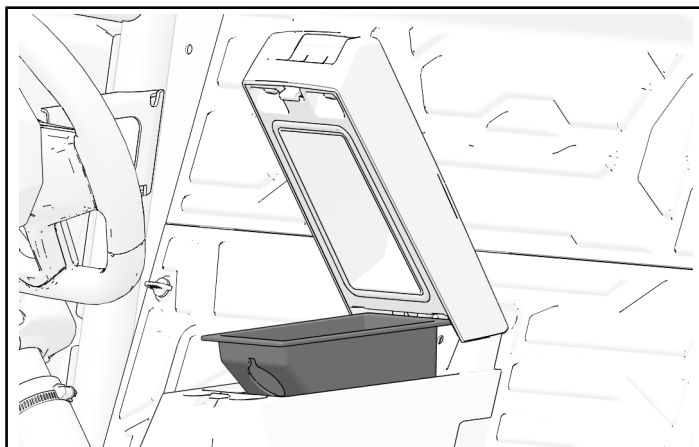
1. Open center console.



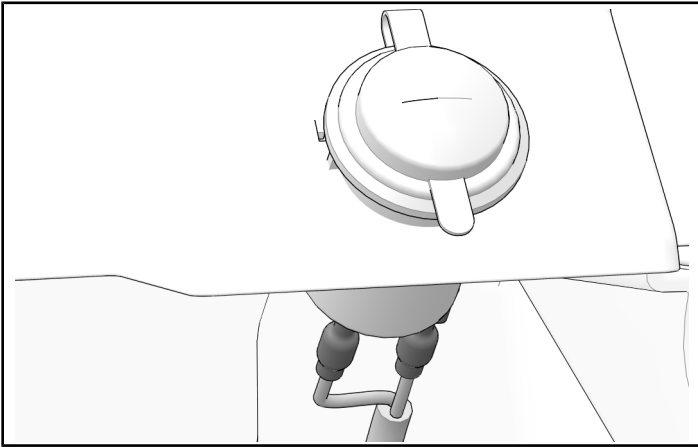
2. Turn each knob 1/4 to disengage from center console panel.



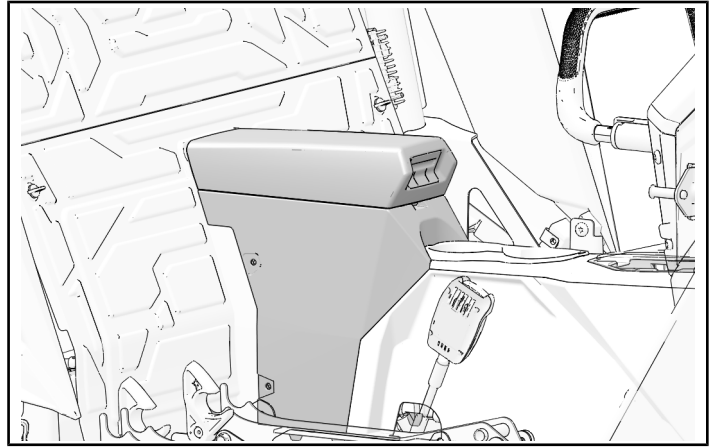
3. Remove and retain storage compartment.



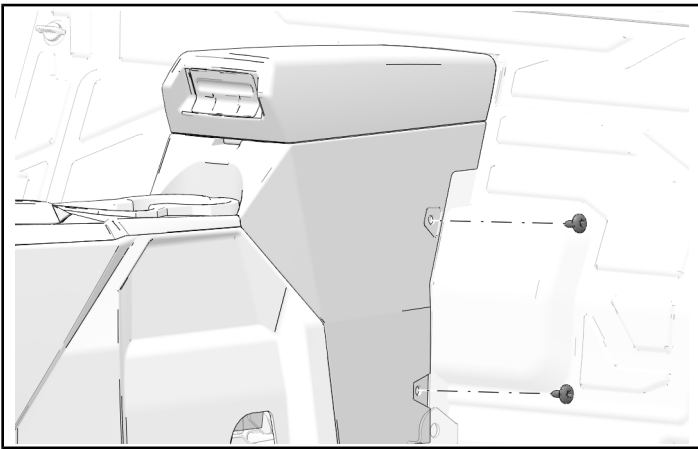
4. Disconnect 12 volt outlet from within center console cavity.



7. Remove center console storage compartment from vehicle.

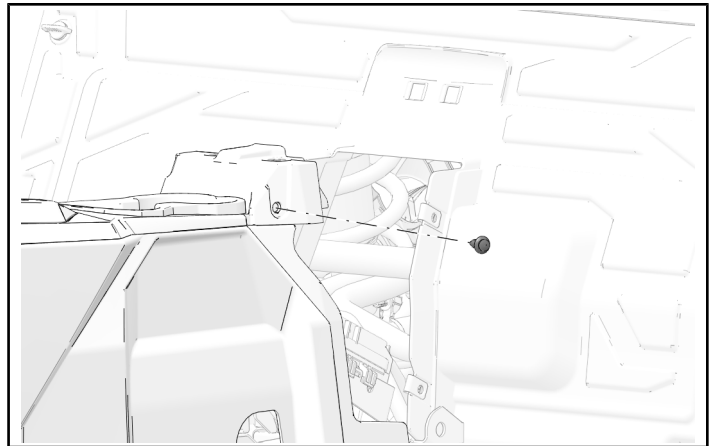


5. Remove and retain two center console fasteners from driver side.

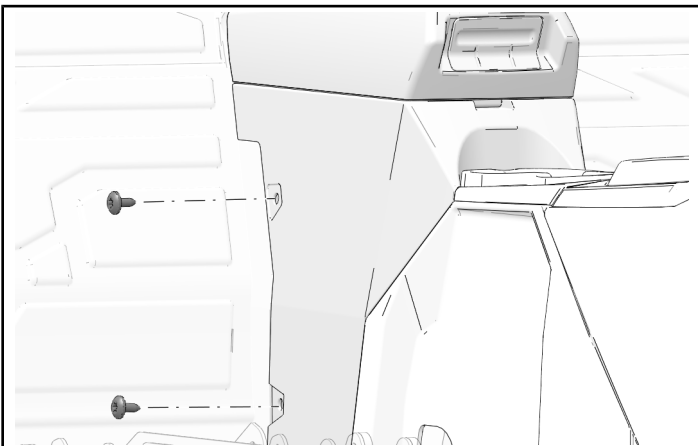


LEFT-HAND PANEL DISASSEMBLY

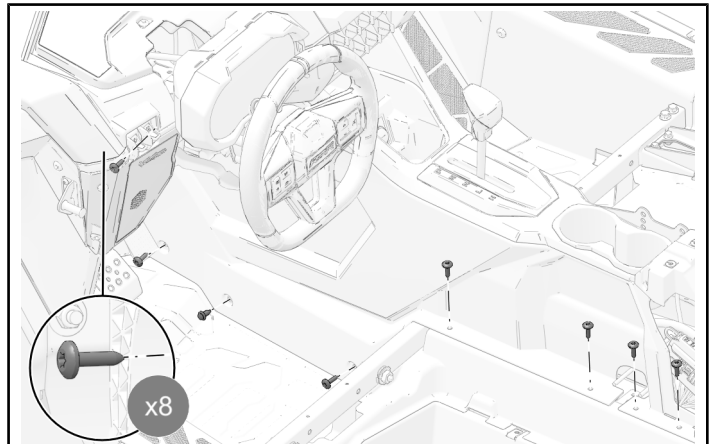
1. Remove and retain one push-pin rivet from center console.



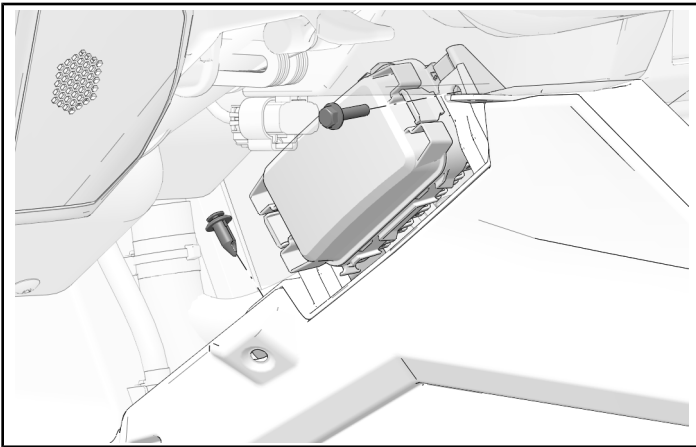
6. Remove and retain two center console fasteners from passenger side.



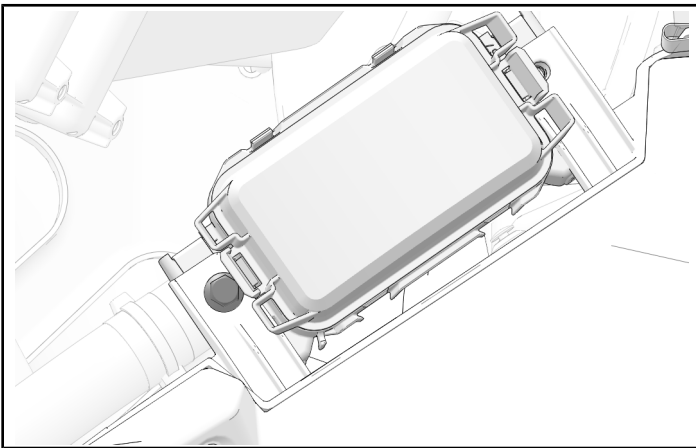
2. Remove and retain eight center console fasteners from driver's side.



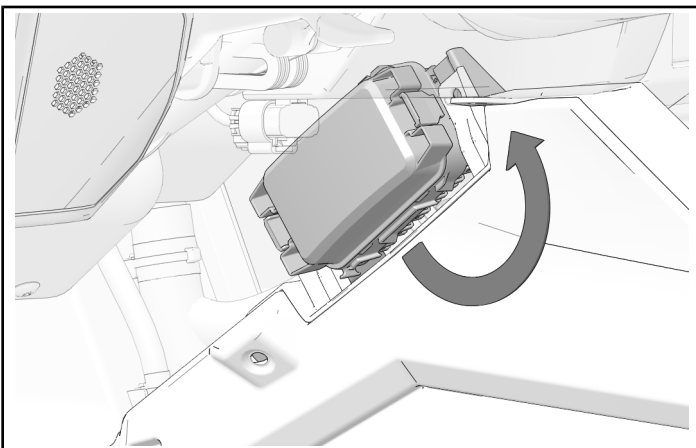
3. Remove and retain one push-pin rivet and fuse block fastener.



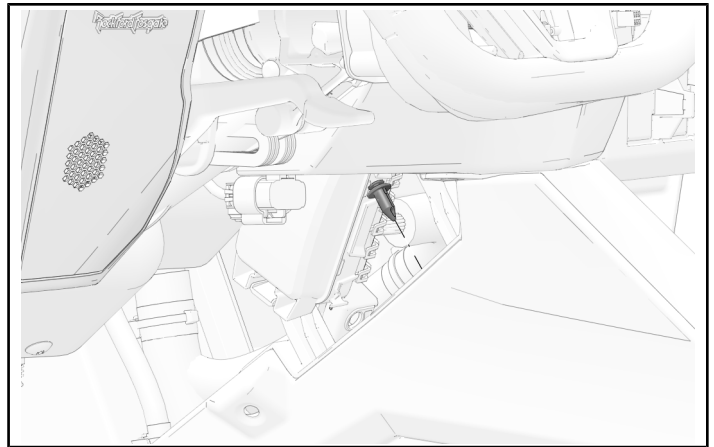
4. Loosen, but do not remove, left-hand fuse block fastener.



5. Rotate fuse block upwards towards front of vehicle to access push-pin rivet beneath fuse block.

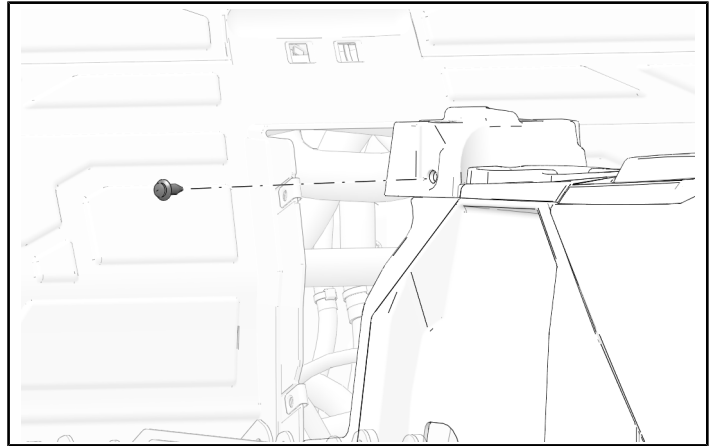


6. Remove and retain push-pin rivet.

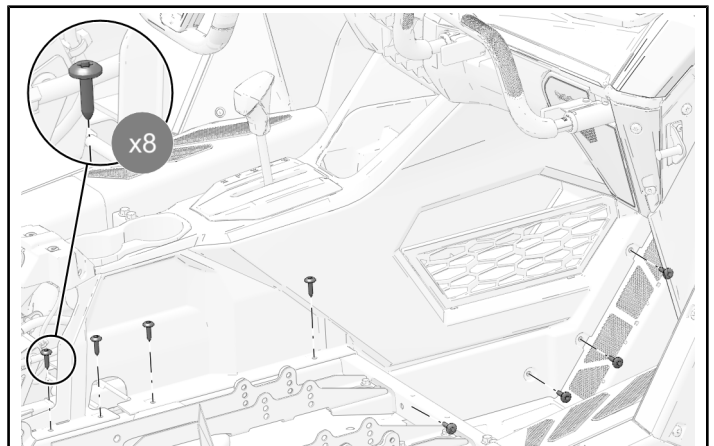


RIGHT-HAND PANEL DISASSEMBLY

1. Remove and retain one push-pin rivet from center console.

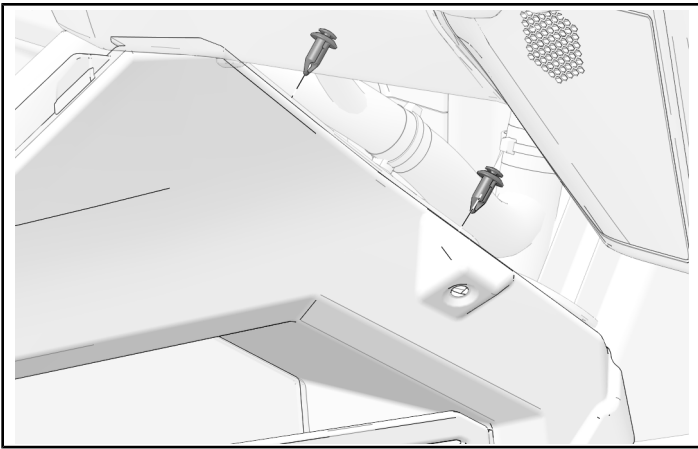


2. Remove and retain eight center console fasteners from passenger's side.

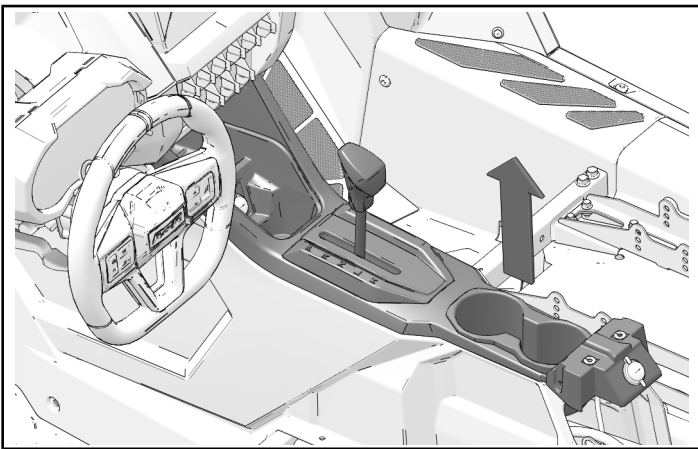


3. Remove and retain one push-pin rivet.

4. Remove and retain two push-pin rivets.



5. Carefully lift center panel upwards to remove side panels from vehicle.



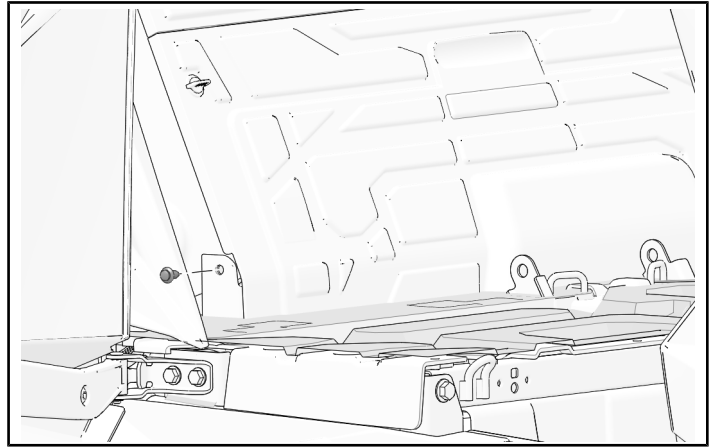
MULTI-PASSENGER VEHICLES ONLY

REAR SEAT PANEL REMOVAL

1. Remove and retain eleven seat panel fasteners.



2. Remove and retain one push-pin rivet from right-rear of seat panel.



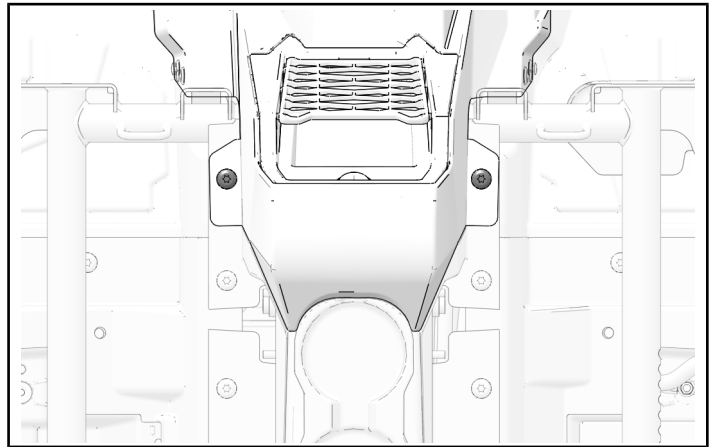
3. Remove seat panel from vehicle.

REAR CENTER CONSOLE DISASSEMBLY

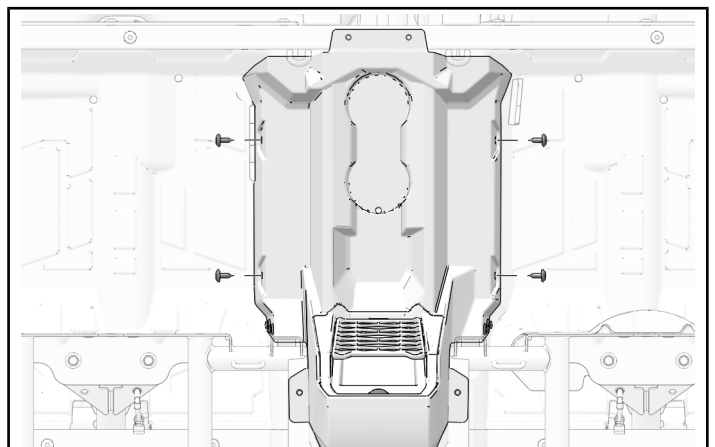
IMPORTANT

Note size difference of fasteners removed in steps 1 and 2.

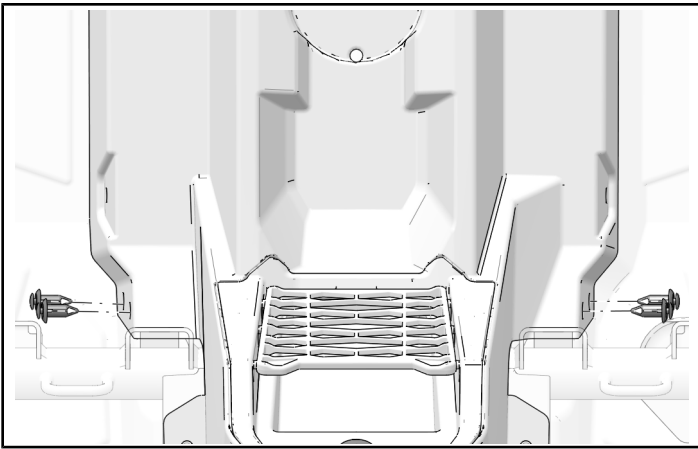
1. Remove and retain two center console top fasteners (longer).



2. Remove and retain four center console side fasteners (shorter).

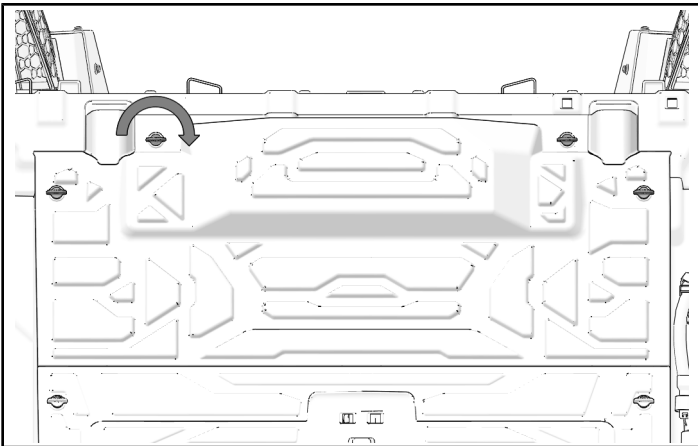


3. Remove and retain four push-pin rivets.

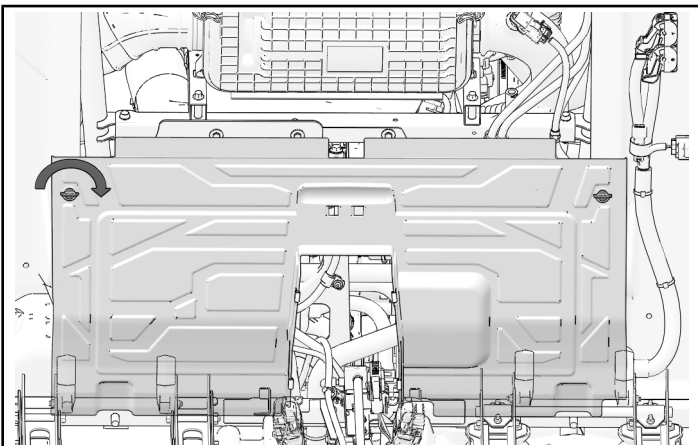


CLOSE-OFF PANEL REMOVAL

1. Turn each knob 1/4 to disengage and remove top close-off panel.



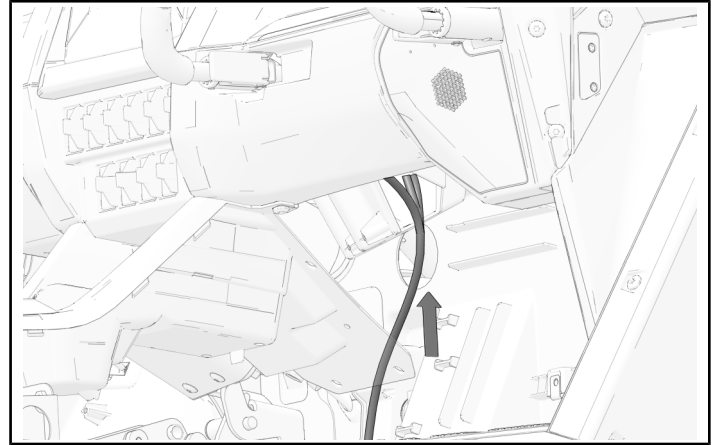
2. Turn each knob 1/4 to disengage and remove bottom close-off panel.



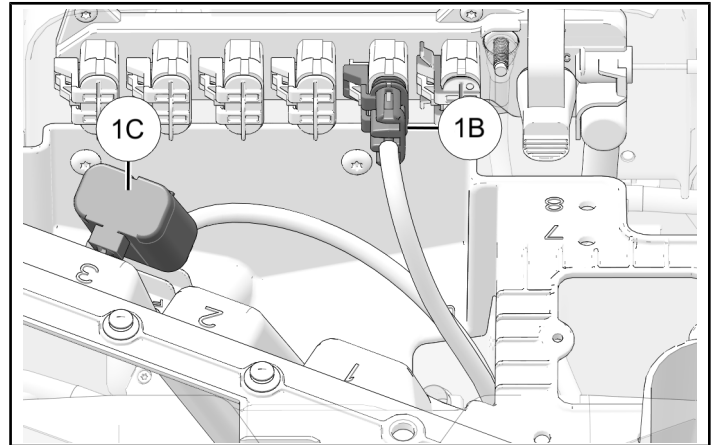
ACCESSORY INSTALLATION

CHASE LIGHT HARNESS KIT P/N 2889034

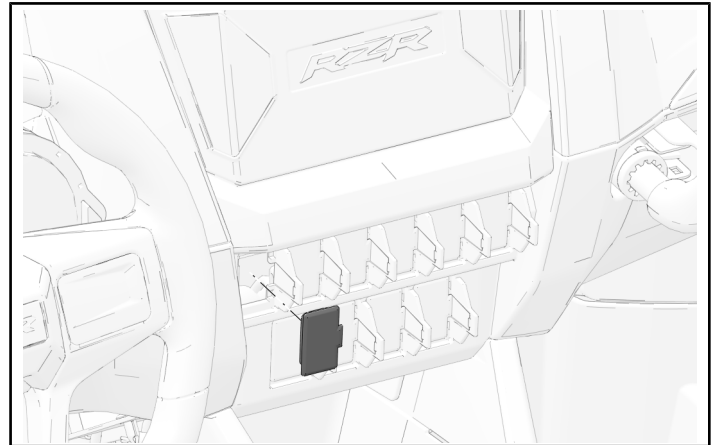
1. Put connectors 1B and 1C through opening in accessory mounting panel.



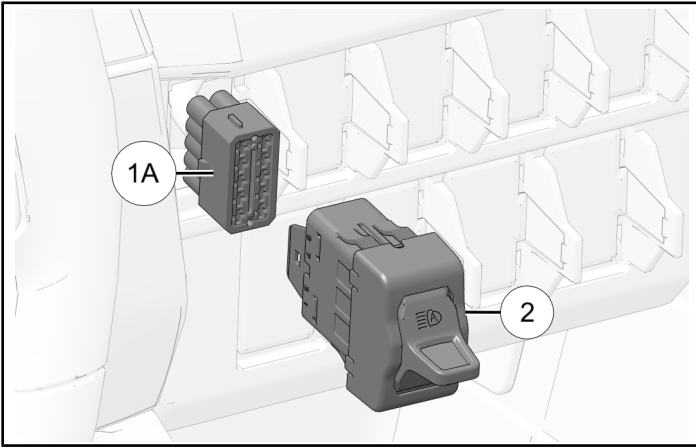
2. Install fuse block 1C to accessory mounting panel, located in dashboard storage opening.



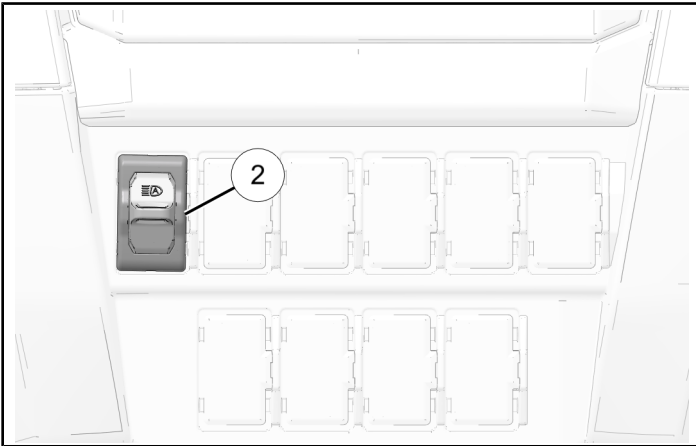
3. Remove switch blank from dashboard.



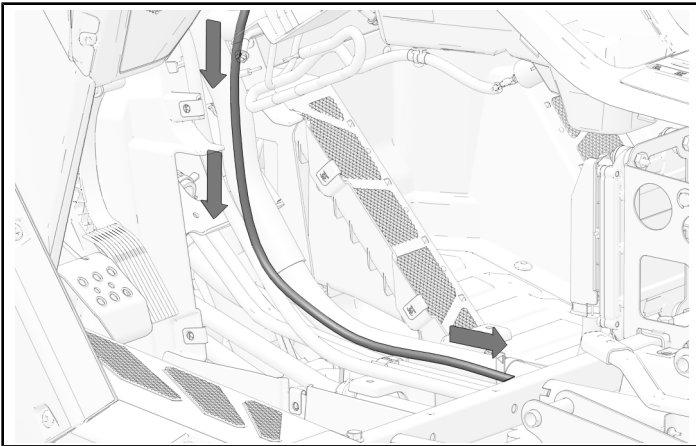
4. Put switch connector **1A** through dashboard opening and connector to switch **2**.



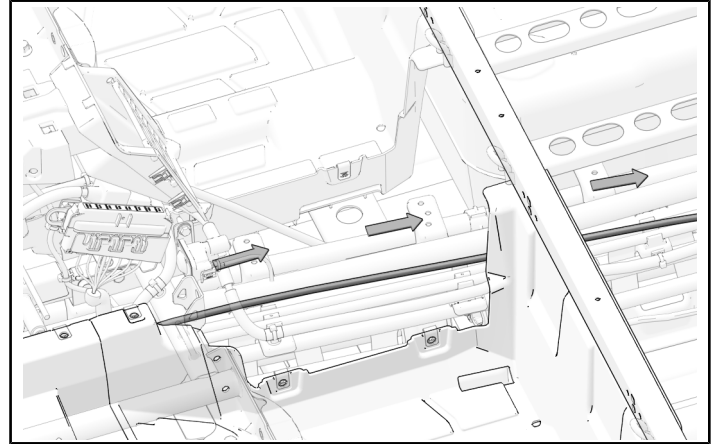
5. Push switch **2** into dashboard until snaps into place.



6. Put harness down center of vehicle.



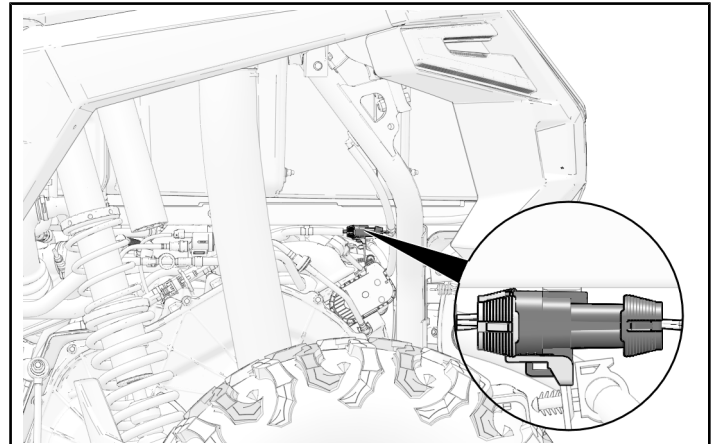
7. Multi-passenger vehicles only:
Put harness down center of vehicle beneath rear seat panel.



8. Identify and disconnect brake light harness from chassis harness.

TIP

Brake light connectors may be located on opposite side of vehicle.



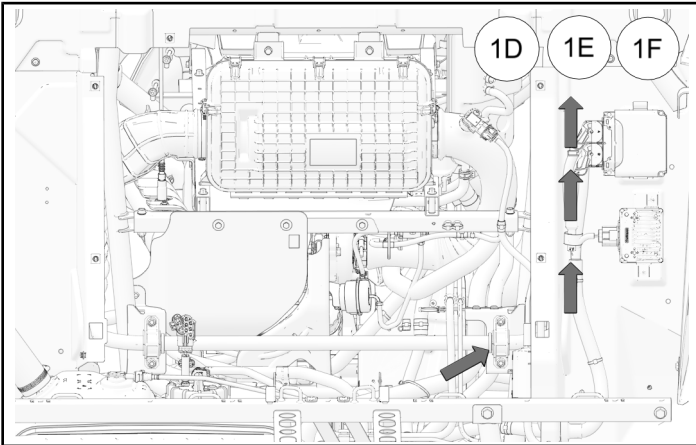
- Based on previous step, route brake light connectors towards brake light harness.

TIP

Brake light connectors may be located on opposite side of vehicle.

IMPORTANT

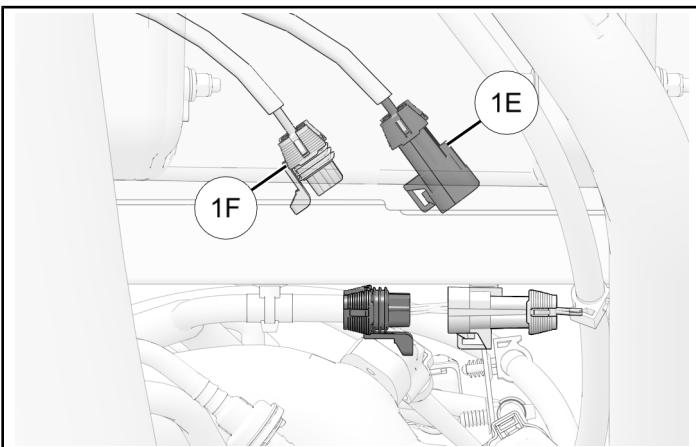
Secure harness to chassis harness with cable ties away from heat sources and moving parts.



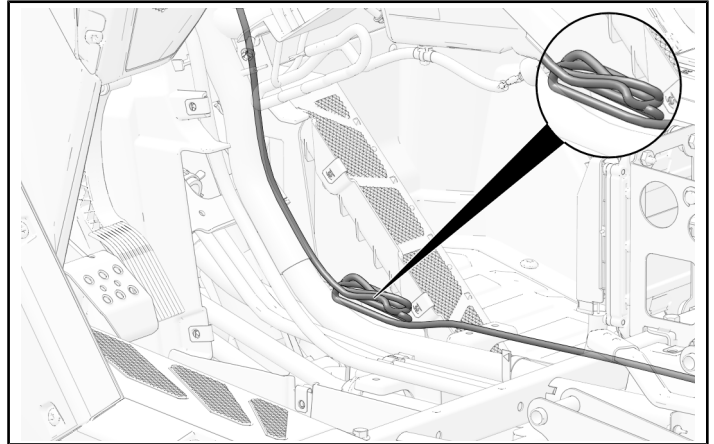
- Connect chassis harness connector **1E** to chassis harness. Connect brake harness connector **1F** to brake harness.

IMPORTANT

Secure harness to chassis harness with cable ties away from heat sources and moving parts.



- Two passenger vehicles only:
Collect excess harness and secure with a cable tie **3**.



- Examine harness routing and secure loose areas with cable ties **3**.

IMPORTANT

Secure harness to vehicle with cable ties away from heat sources and moving parts.

CHASE LIGHT MOUNT KIT P/N 2884896

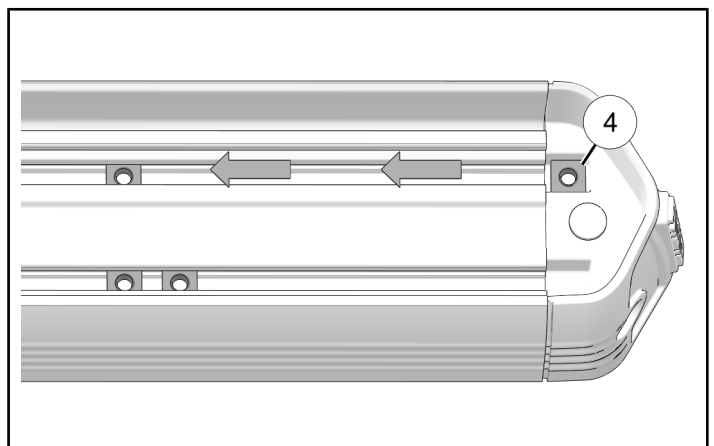
NOTICE

Mount **6** shown; angled mount **8** similar.

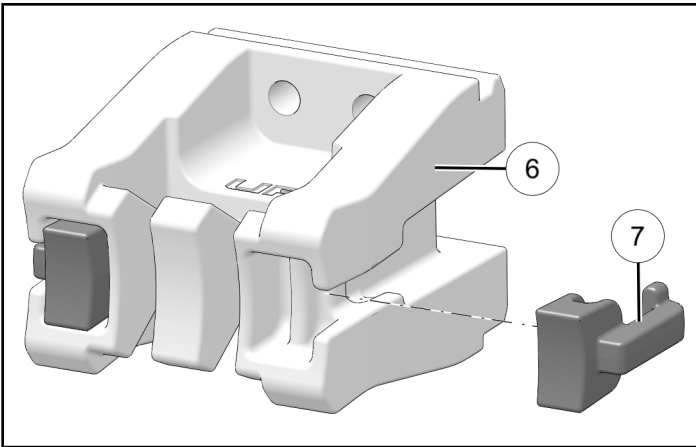
NOTICE

One clamp shown; two required for installation.

- Put four square nuts **4** into rear rail of chase light. Move square nuts inward.



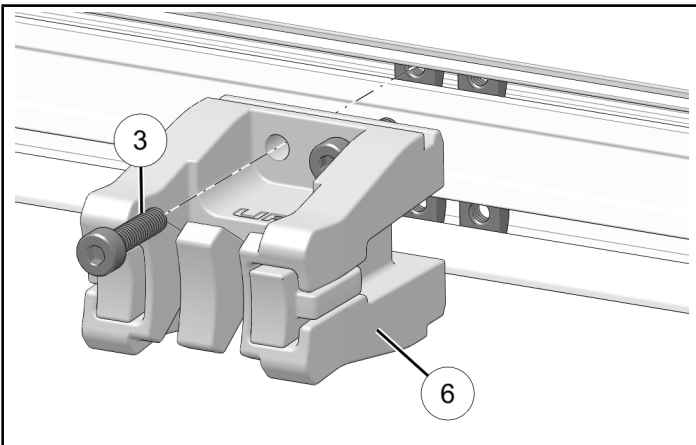
2. Insert two rubber bumpers (7) into mount (6).



3. Align one mount (6) with four square nuts and install with four fasteners (3).

TIP

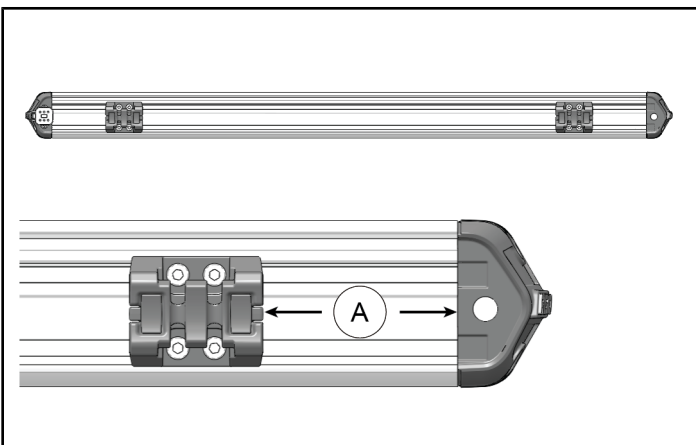
Make sure fasteners are installed to square nuts but do not tighten at this time.



4. Move mounts according to distance, as shown below.

MEASUREMENT

Approximate Measurement (A):
2-1/2 in (63.5 mm)



5. Torque mount fasteners (3) to specification.

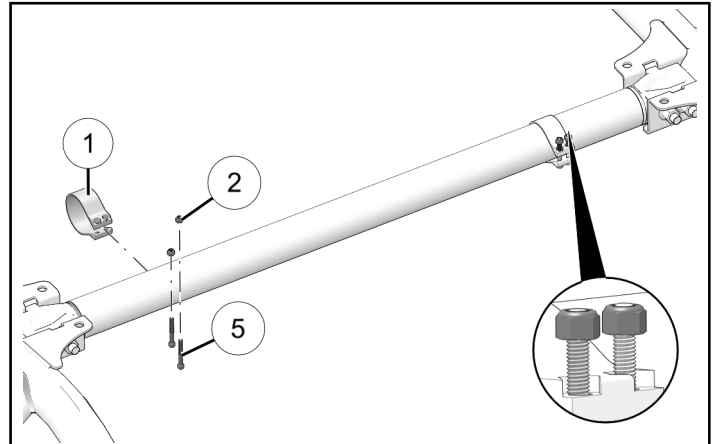
TORQUE

Mount Fasteners (3):
6 in-lbs (1 N·m)

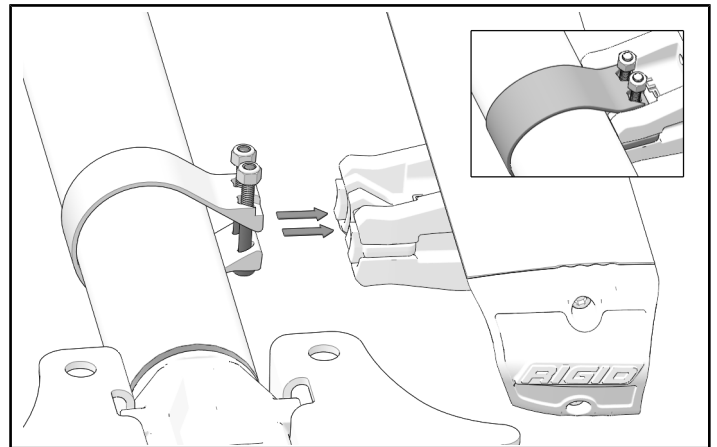
6. Put two clamps (1) around rear cross beam. Loosely install with two fasteners (5) and two nuts (2).

TIP

Note orientation of fasteners. Make sure nuts are only threaded onto the very top of the fastener.



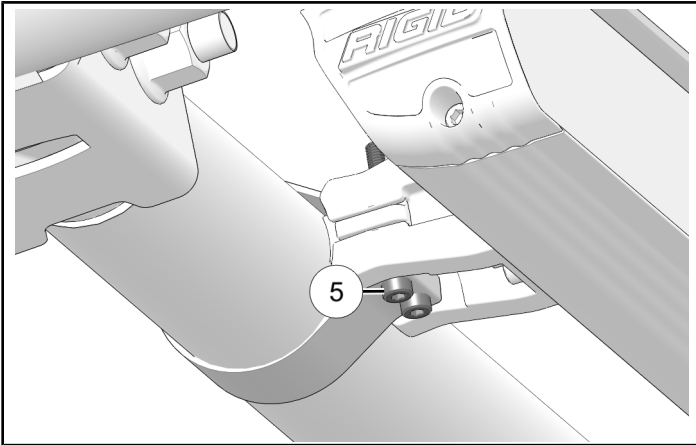
7. Align two mounts with clamps and install between clamp ends so that fasteners slide in between mount openings.



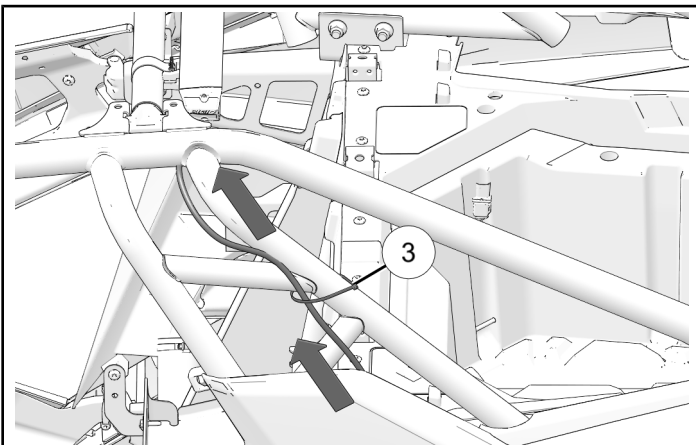
8. Tighten clamp fasteners ⑤ to specification.

TORQUE

Clamp Fasteners ⑤:
6 in-lbs (1 N·m)



9. Route chase light harness towards light fixture.
Secure harness to ROPS pillar with cable tie ③.

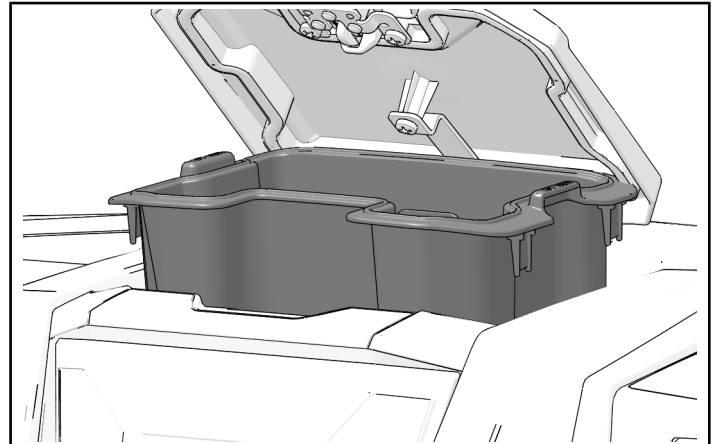


10. Connect chase light harness connector 1D to chase light fixture.

VEHICLE REASSEMBLY

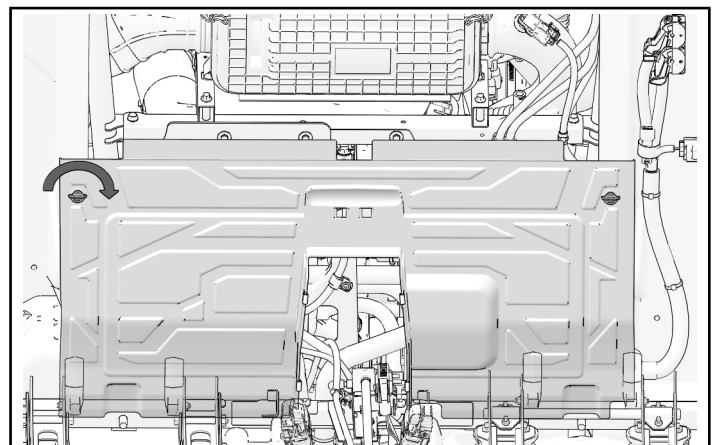
DASHBOARD STORAGE INSTALLATION

1. Slide storage compartment into dashboard cavity.

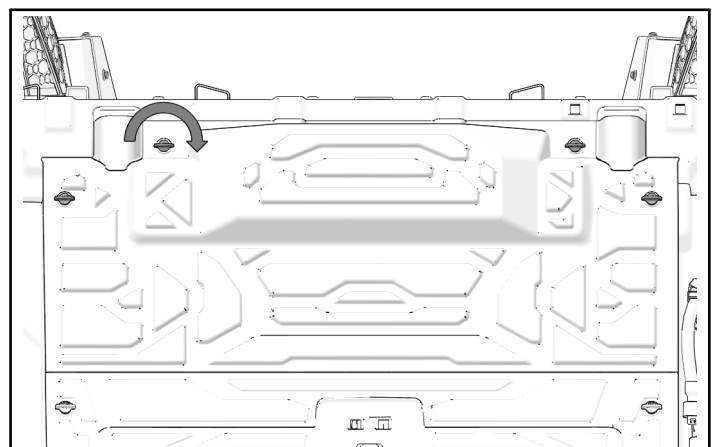


CLOSE-OFF PANEL INSTALLATION

1. Turn each knob 1/4 to securely engage with back panel.



2. Turn each knob 1/4 to securely engage with back panel.



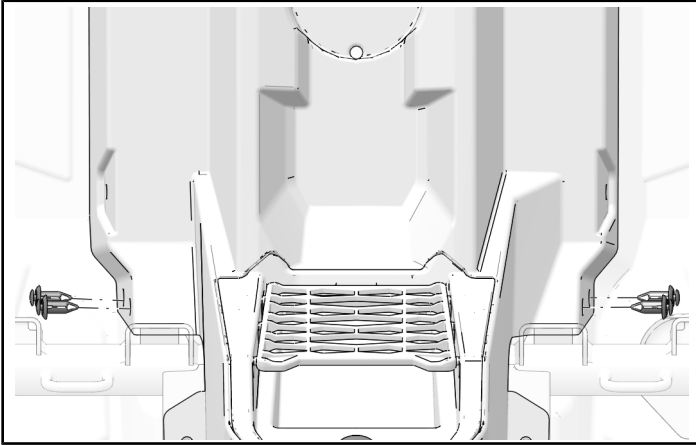
MULTI-PASSENGER VEHICLES ONLY

REAR CENTER CONSOLE ASSEMBLY

IMPORTANT

Note size difference of fasteners installed in steps 2 and 3.

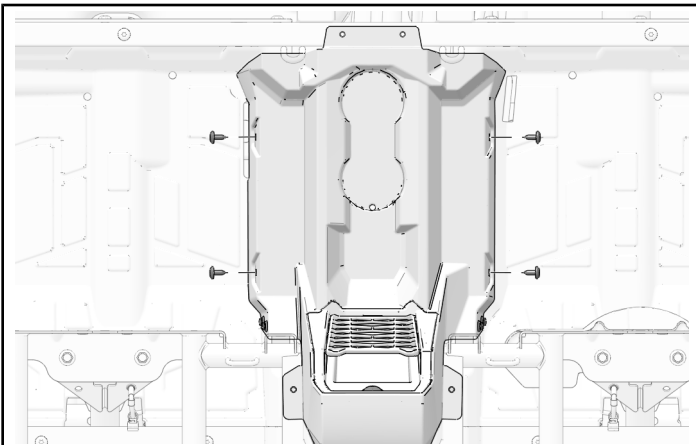
1. Align rear center console with front center console.
2. Install front portion with four retained push-pin rivets.



3. Install sides with four center console side fasteners (shorter).

TORQUE

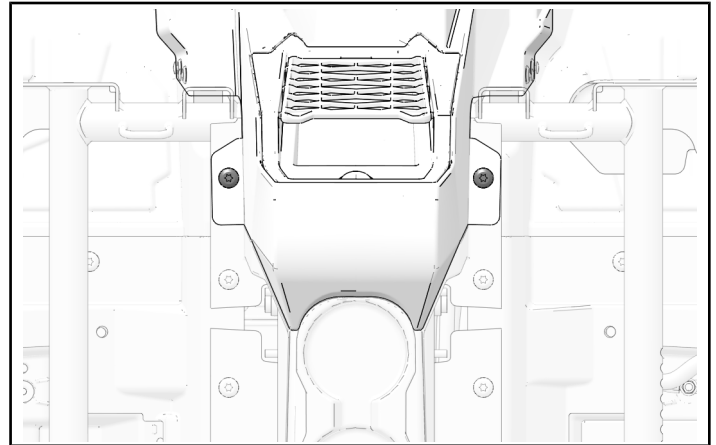
Center Console Fasteners (Shorter):
89 in-lbs (10 N·m)



4. Install to front-center console with two center console top fasteners (longer).

TORQUE

Center Console Fasteners (Longer):
89 in-lbs (10 N·m)



REAR SEAT PANEL INSTALLATION

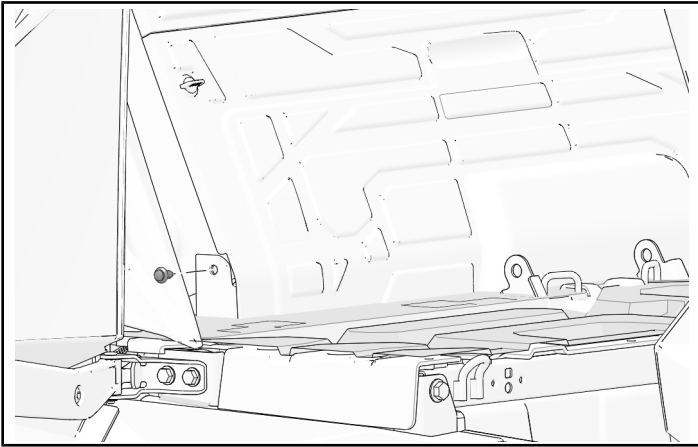
1. Position rear seat panel in vehicle and install with eleven seat panel fasteners.

TORQUE

Seat Panel Fasteners:
89 in-lbs (10 N·m)



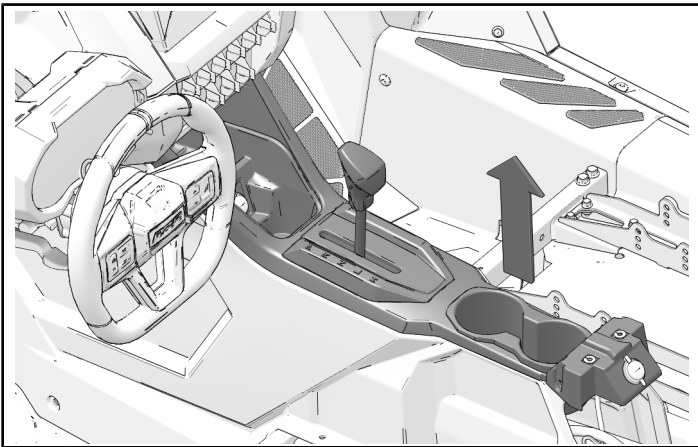
2. Reinstall one push-pin rivet in right-rear of seat panel.



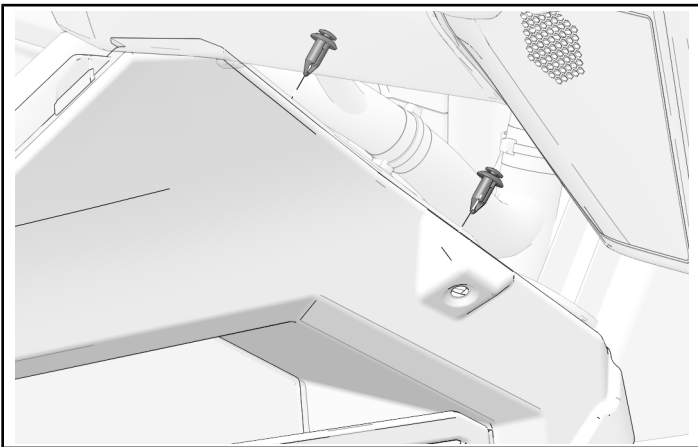
FRONT CENTER CONSOLE REASSEMBLY

RIGHT-HAND PANEL INSTALLATION

1. Carefully lift center panel upwards and position side panels for installation.

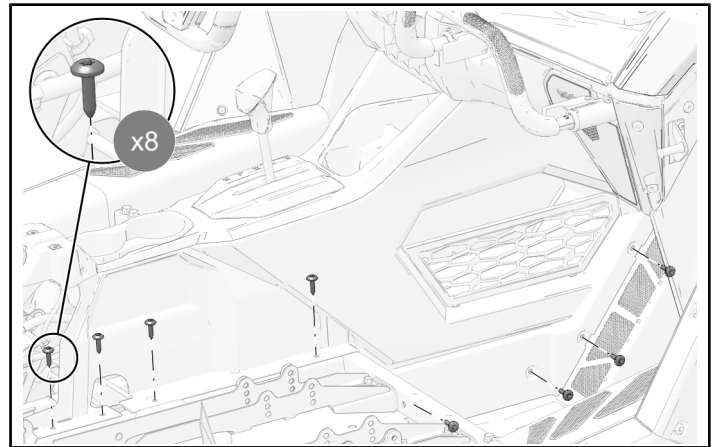


2. Install two push-pin rivets .



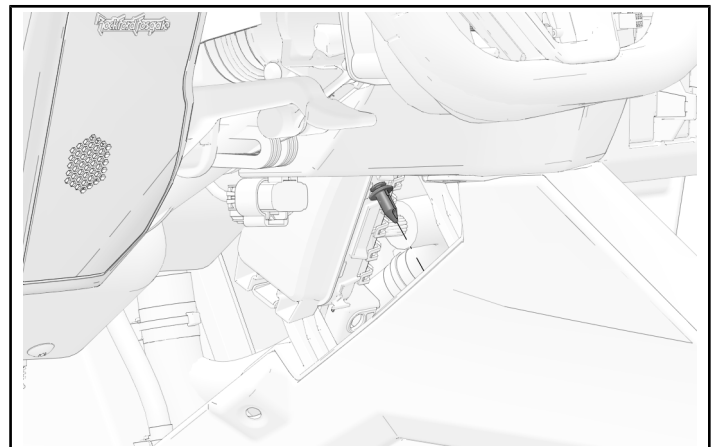
3. Install passenger side panel with eight retained center console fasteners and one push-pin rivet.

TORQUE
Center Console Fasteners:
89 in-lbs (10 N·m)



LEFT-HAND PANEL INSTALLATION

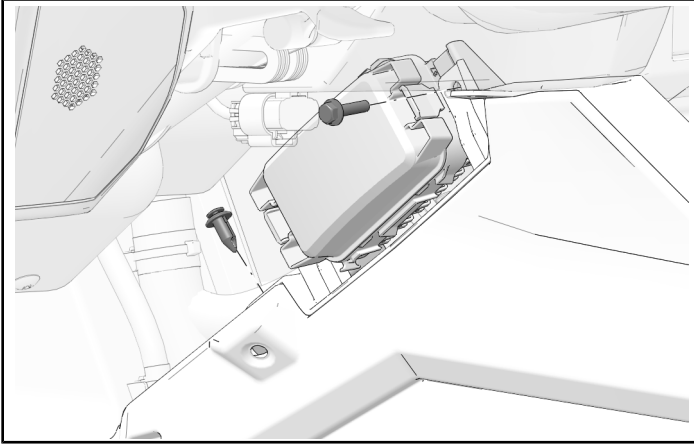
1. Install push-pin rivet.



2. Install retained push-pin rivet and fuse block fastener . Torque two fuse block fasteners to specification.

TORQUE

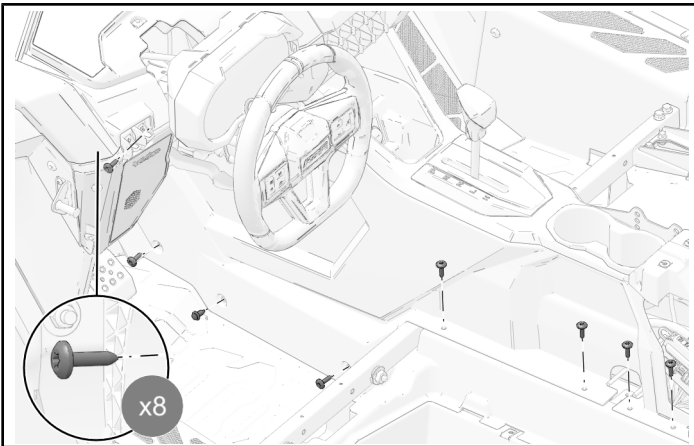
Fuse Block Fasteners:
31 in-lbs (3.5 N·m)



3. Install driver side panel with eight retained center console fasteners and one push-pin rivet.

TORQUE

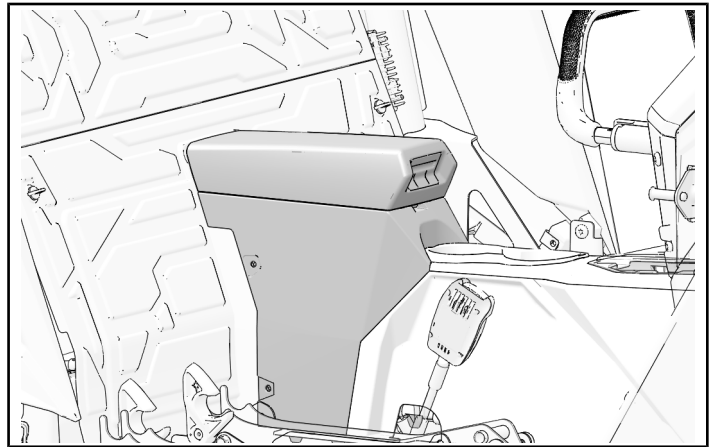
Center Console Fasteners:
89 in-lbs (10 N·m)



STORAGE COMPARTMENT INSTALLATION

Storage Compartment Installation applies to two-passenger vehicles only.

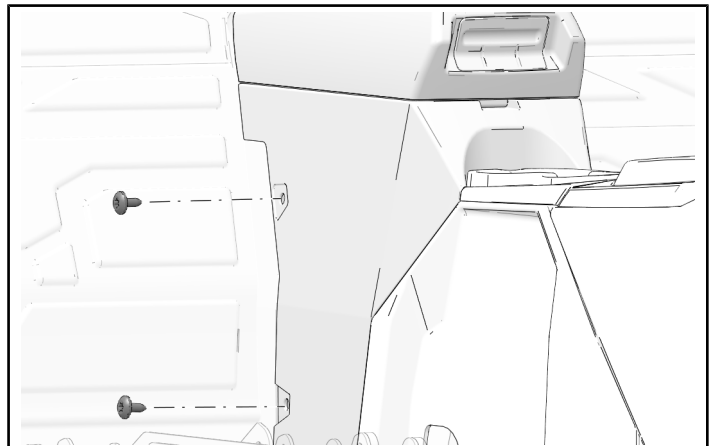
1. Position console storage compartment for installation.



2. Install console storage compartment with two retained center console fasteners from passenger side.

TORQUE

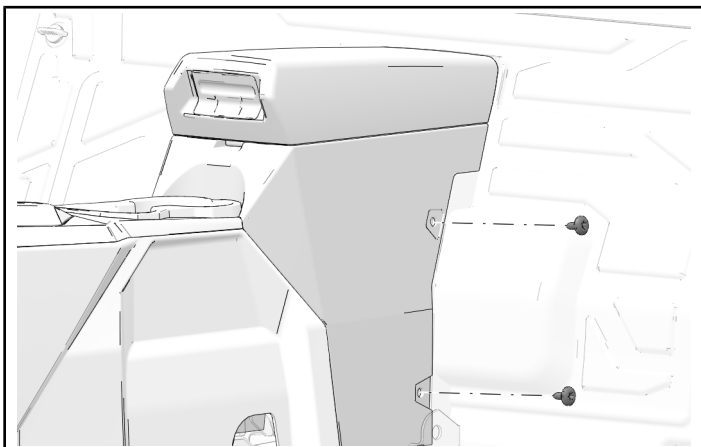
Center Console Fasteners:
89 in-lbs (10 N·m)



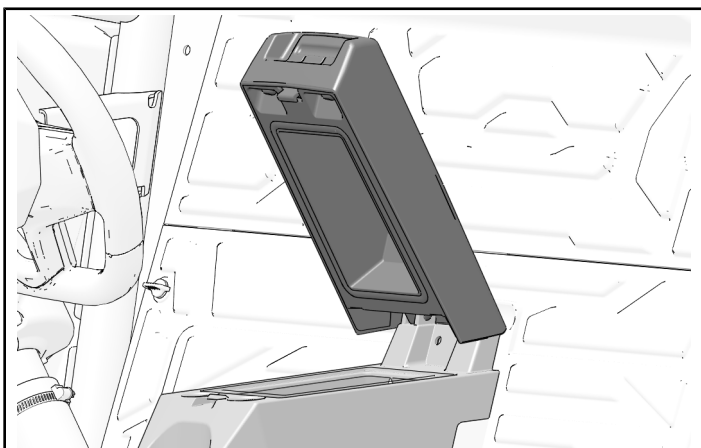
3. Install console storage compartment with two retained center console fasteners from driver side.

TORQUE

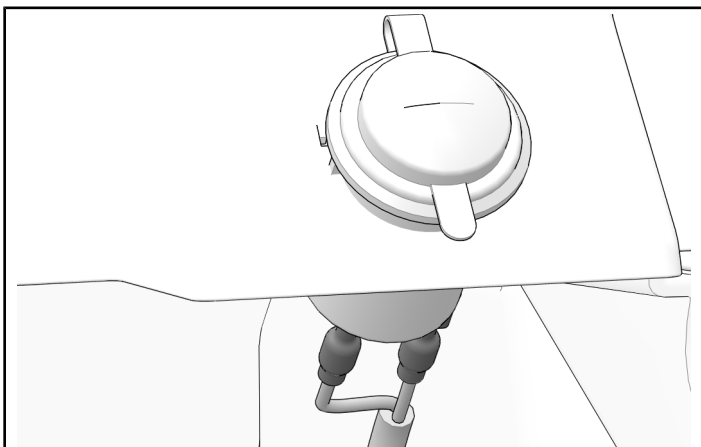
Center Console Fasteners:
89 in-lbs (10 N·m)



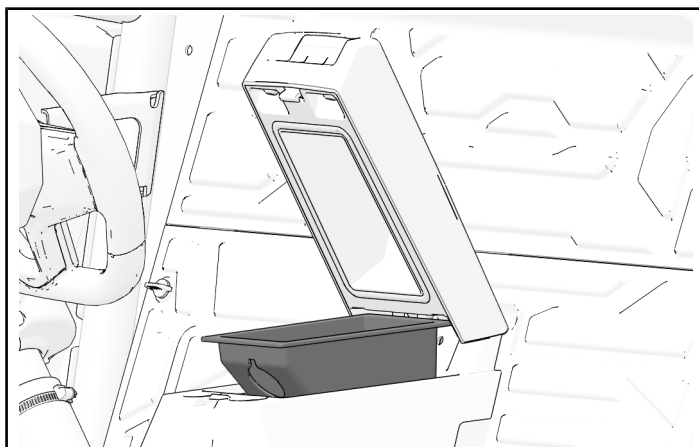
4. Open center console.



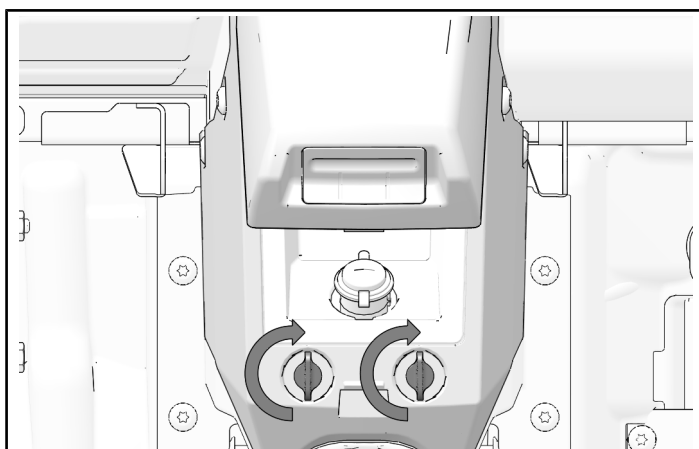
5. Connect 12 volt outlet from within center console cavity.



6. Install storage compartment.



7. Turn each knob 1/4 to engage with center console panel.



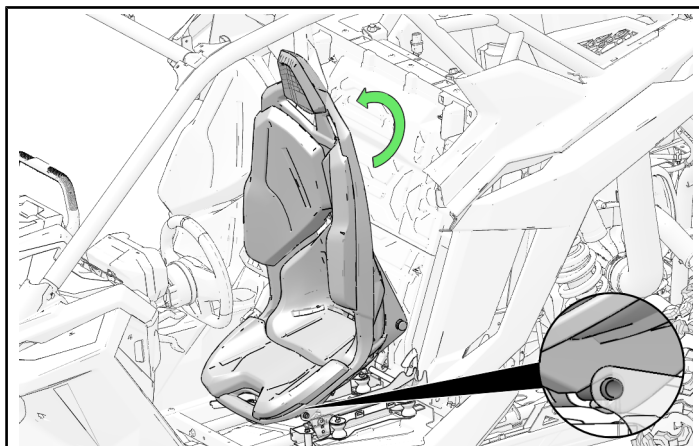
SEAT INSTALLATION

FRONT SEAT INSTALLATION

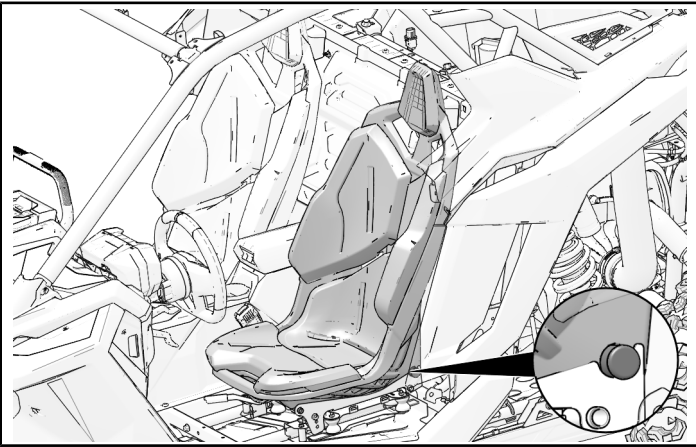
NOTICE

Driver seat shown; passenger seat similar.

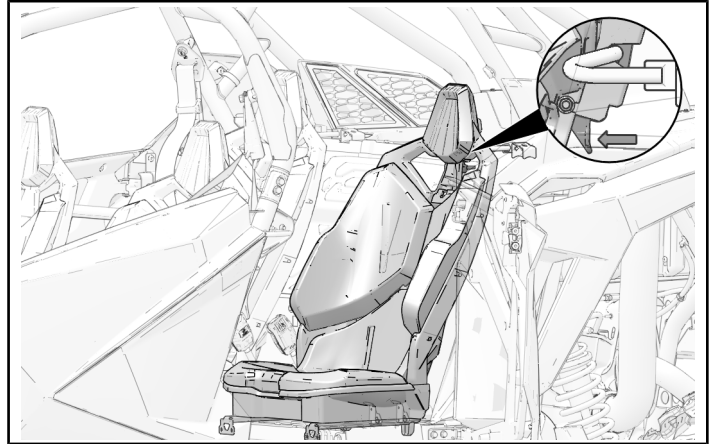
1. Tilt seat towards steering wheel and hook seat base onto front receiver tubes.



2. Lower seat onto rear receiver tubes.



2. Position backrest assembly into seat base and lean back until headrest engages with receiver tube.



REAR SEAT INSTALLATION

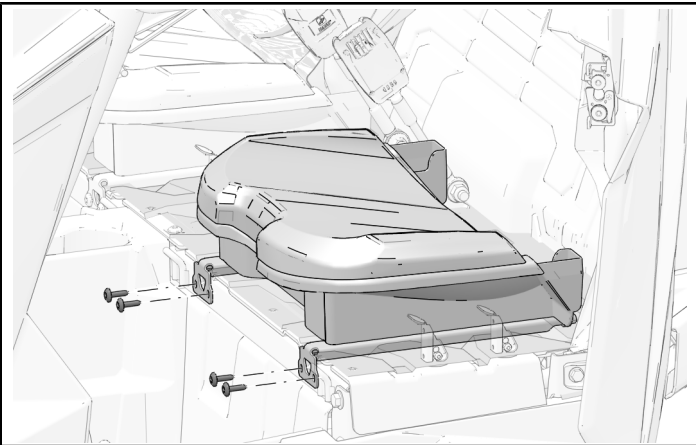
NOTICE

Left rear seat shown; right rear similar.

1. Install seat base with four seat bracket fasteners.

TORQUE

Seat Bracket Fasteners:
71 in-lbs (8 N·m)

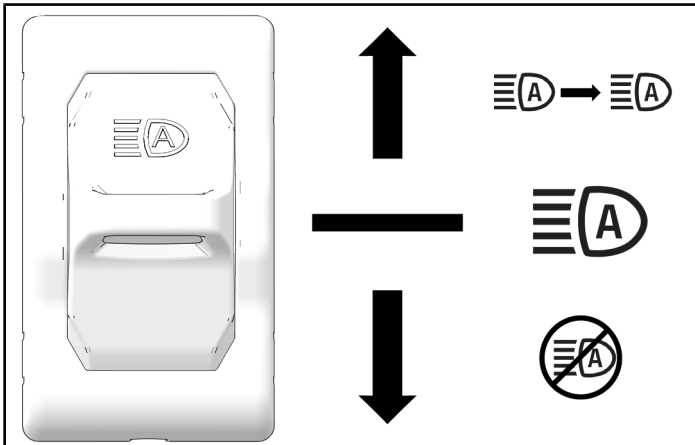


OPERATION

BASIC OPERATION

The chase light features eleven different chase light modes to choose from.

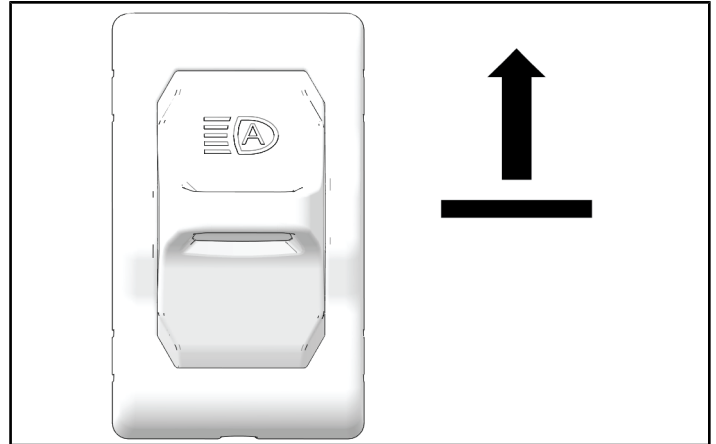
CHASE LIGHT SWITCH POSITIONING	
Up	Mode Select (hold UP momentarily to change mode)
Middle	Power On
Down	Power Off



BRAKE MODES

The chase light features four different brake light modes to choose from.

1. Turn vehicle on.
2. Press and hold brake pedal while simultaneously pressing switch upwards to cycle through Brake Modes.



INSTRUCTION FEEDBACK FORM

A feedback form has been created for the installer to provide any comments, questions or concerns about the installation instructions. The form is viewable on mobile devices by scanning the QR code or by clicking [HERE](#) if viewing on a PC.

