

# ROOF LIGHT BAR MOUNT KIT



P/N 2884601

## BEFORE YOU BEGIN

Read these instructions and check to be sure all parts and tools are accounted for. Please retain these installation instructions for future reference and parts ordering information.

## APPLICATION

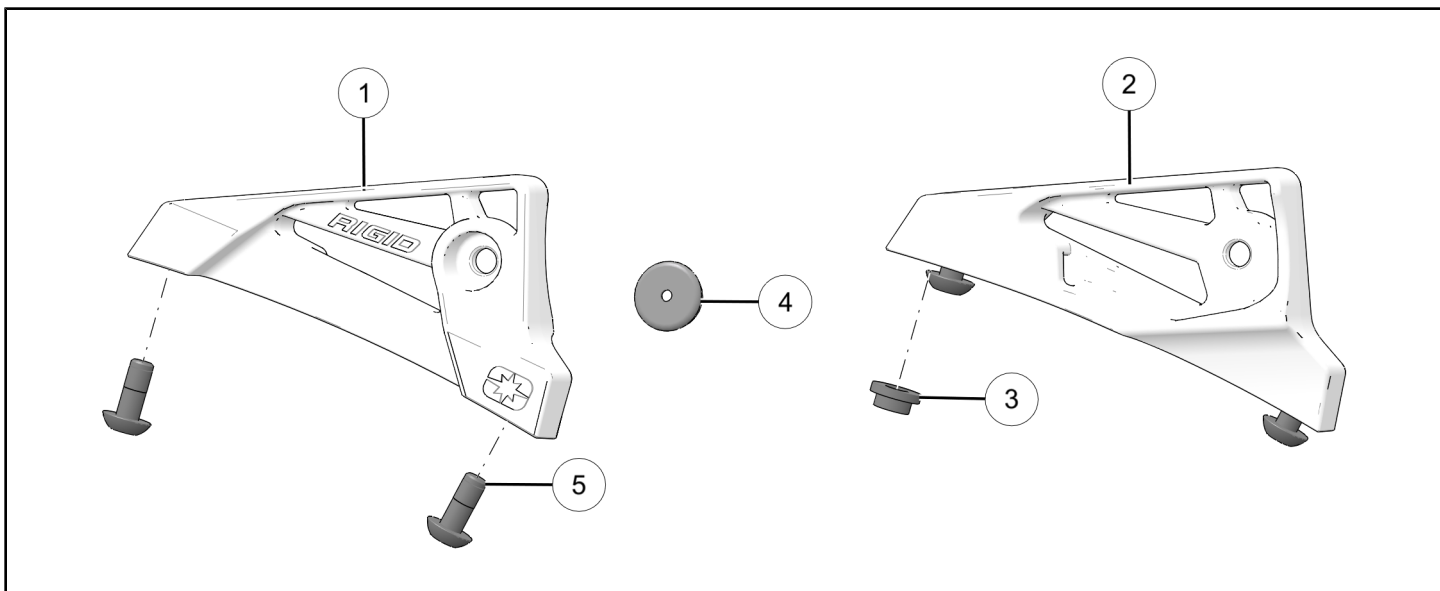
Verify accessory fitment at [www.polaris.com](http://www.polaris.com).

## REQUIRED SOLD SEPARATELY

Only parts for installation of the Roof Light Bar Mount Kit are included. The following additional kits are also required (sold separately):

- *Aluminum Roof Kit*, P/N 2884237-XXX (Two Passenger), 2884325-XXX (Multi-Passenger)
- *32 in Light Bar*, P/N 2884648
- *Light Bar Harness Kit*, (See dealer or website for compatible kit)

## KIT CONTENTS



REF	QTY	PART DESCRIPTION	P/N AVAILABLE SEPARATELY
1	1	Mount–Light Bar, Right-Hand	n/a
2	1	Mount–Light Bar, Left-Hand	n/a
3	1	Grommet–Mount	n/a
4	1	Grommet–Roll-Cage	5413027
5	4	Screw–Torx® Truss Head, M8 x 1.25 x 20.0 mm	7519997

## TOOLS REQUIRED

- Safety Glasses
- Center Punch
- Drill
- Drill Bit:
  - 1/2 in (12.5 mm)
- Fish Tape (or equivalent)
- Pick and Hook Set
- Pliers, Needle Nose
- Pliers, Push Pin Rivet
- Ruler
- Scissors
- Socket Set, Metric
- Socket Set, Torx® Bit
- Tape Measure
- Torque Wrench

## CONSUMABLES REQUIRED

- Grease, Polaris® All Season (or equivalent)
- Tape, Electrical
- Tape, Masking

## IMPORTANT

Your Roof Light Bar Mount Kit is exclusively designed for your vehicle. Please read the installation instructions thoroughly before beginning. Installation is easier if the vehicle is clean and free of debris. For your safety, and to ensure a satisfactory installation, perform all installation steps correctly in the sequence shown.

## INSTALLATION INSTRUCTIONS

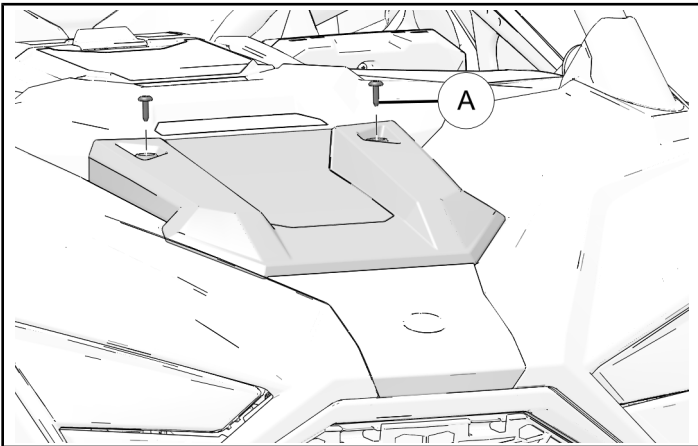
### VEHICLE PREPARATION

#### GENERAL

1. Shift vehicle transmission into PARK.
2. Turn ignition switch to OFF position and remove key.
3. Install *Light Bar Harness Kit* (sold separately) as per instructions.

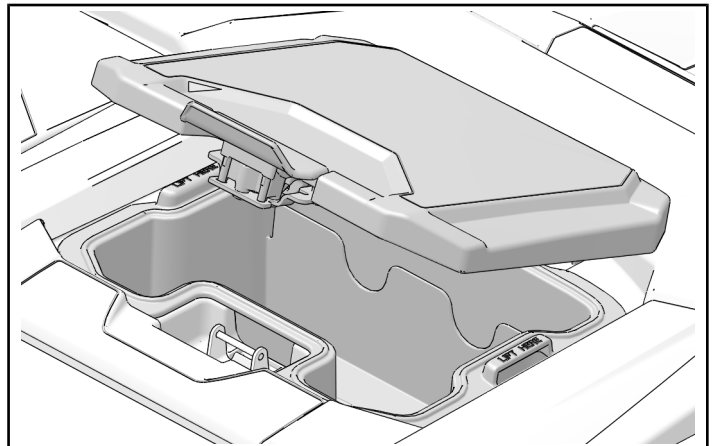
#### CENTER HOOD PANEL REMOVAL

1. Remove and retain two hood fasteners **A**. Slide hood towards rear of vehicle to remove.



#### DASHBOARD STORAGE REMOVAL

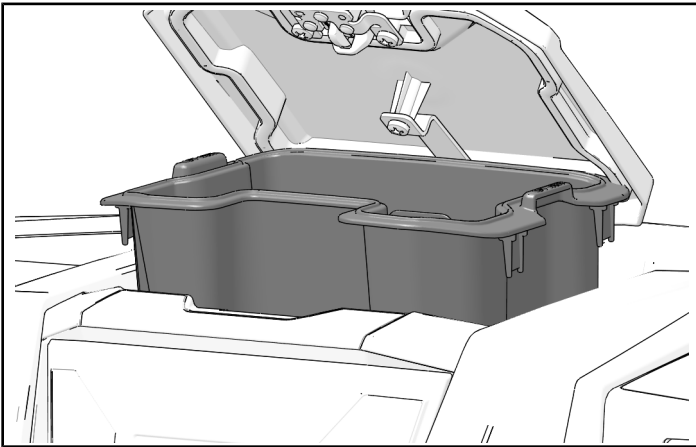
1. Open center dashboard storage compartment.



2. Remove storage compartment from dashboard.

**TIP**

If removing storage compartment is difficult, carefully use tool to pry storage compartment upwards where marked "LIFT HERE."

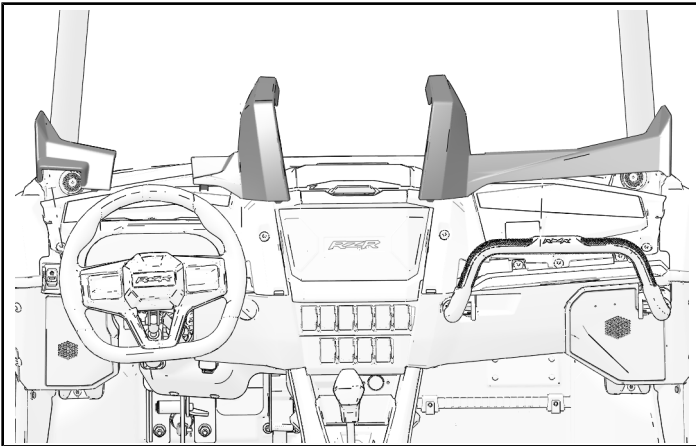


**DASHBOARD TOP REMOVAL**

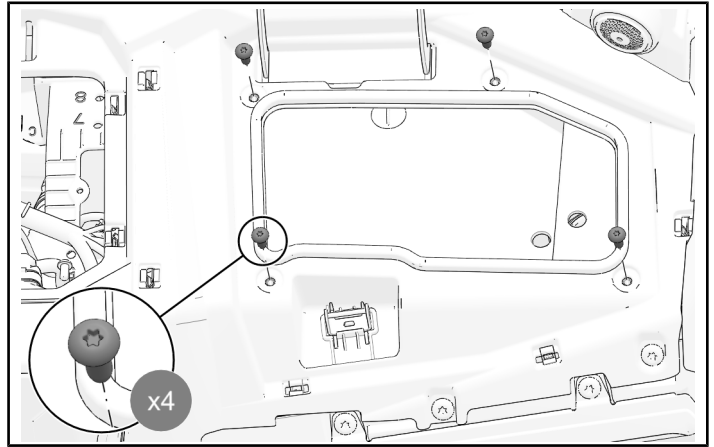
1. Carefully pull up to remove left, center, and right dashboard trim pieces.

**TIP**

Release steering tilt lock for improved access.



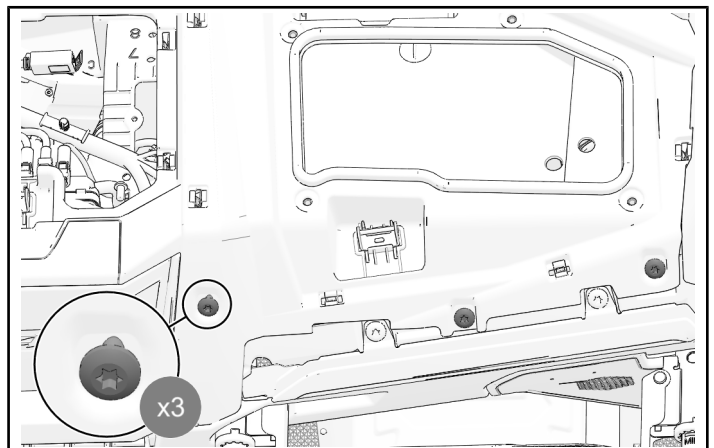
2. Open glove box lid. Remove and retain four dashboard fasteners around glove box opening.



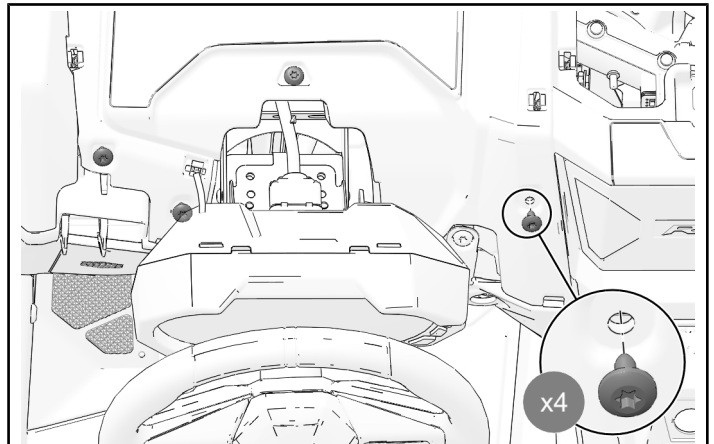
3. Remove and retain three front dashboard fasteners around glove box opening.

**TIP**

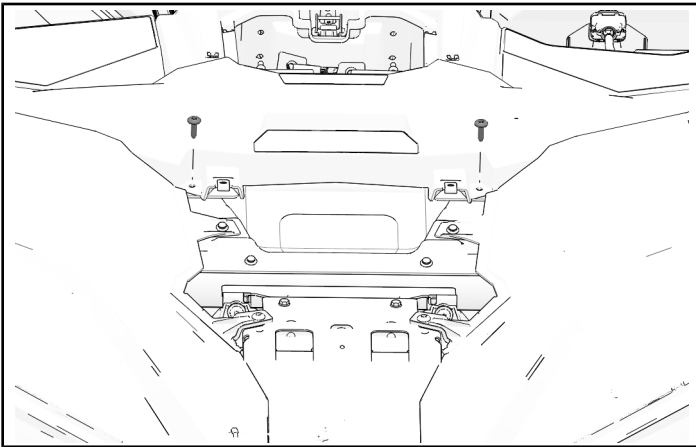
Make note of different screw sizes in steps 2 and 3.



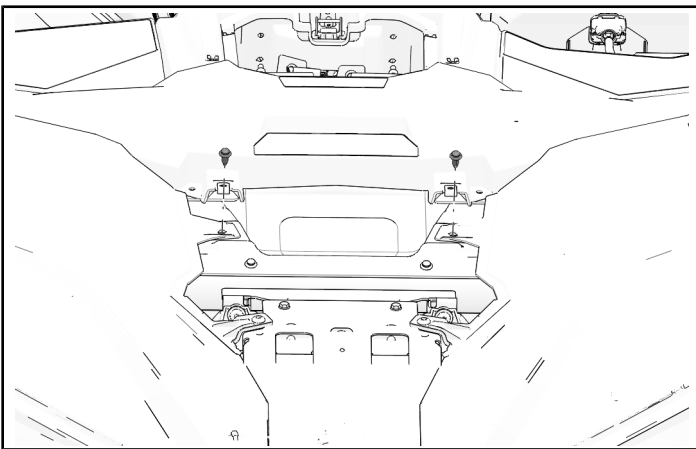
4. Tilt steering wheel down. Remove and retain four dashboard fasteners from dashboard surrounding steering wheel.



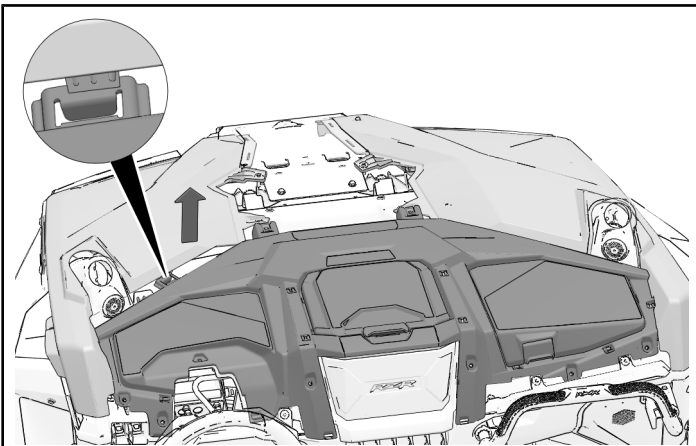
5. Remove and retain two dashboard fasteners from front of vehicle.



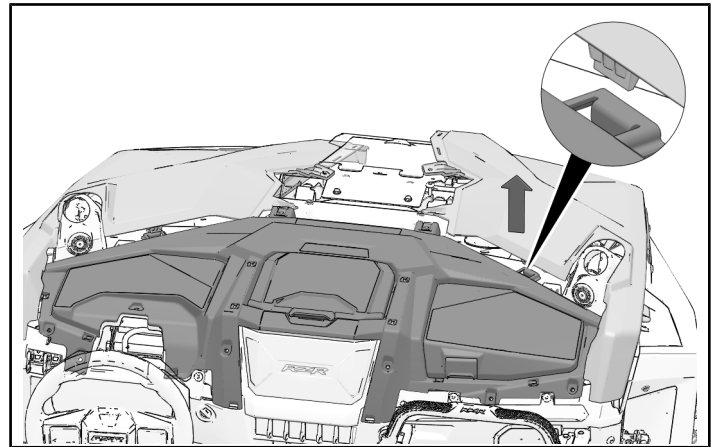
6. Remove and retain two push-pin rivets from front side hood panels.



7. Carefully lift edge of left front hood panel to release tab from dashboard top as shown.



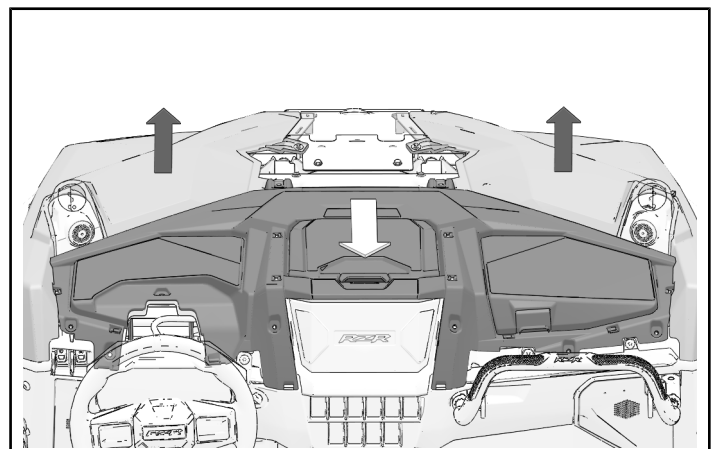
8. Carefully lift edge of right front hood panel to release tab from dashboard top as shown.



9. Carefully keep panels up-and-away from tabs and remove dashboard top by tilting rear section up and pulling out toward rear.

**TIP**

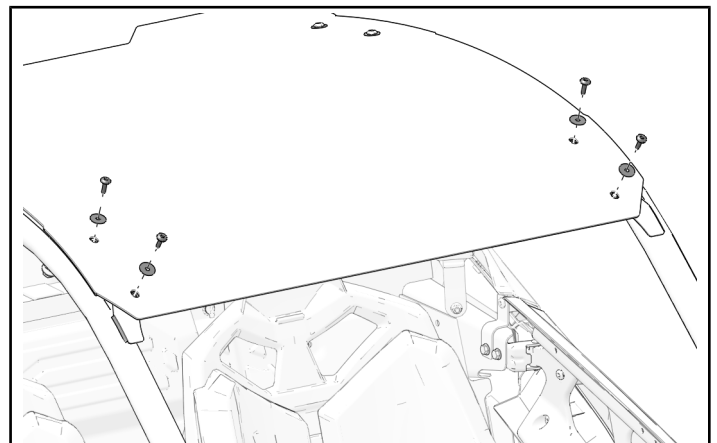
Two people are recommended to complete this step.



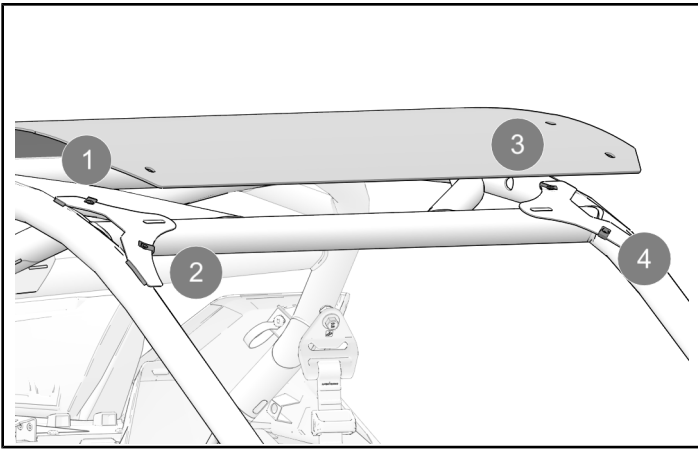
**ACCESSORY INSTALLATION**

**ROOF PREPARATION**

1. Remove and discard four fasteners and four washers from aluminum roof.



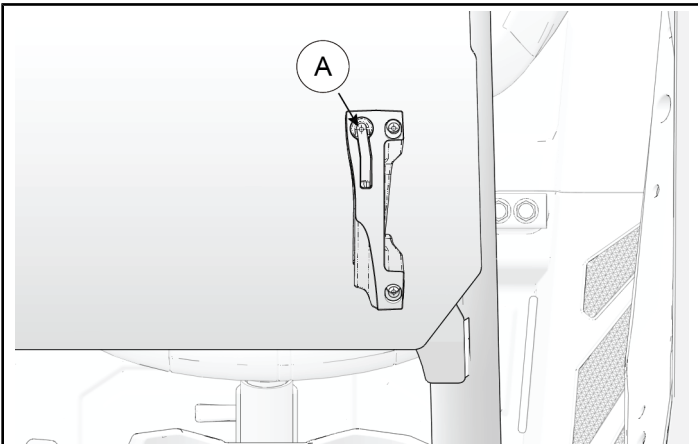
- Lift roof up and remove four U-nuts.



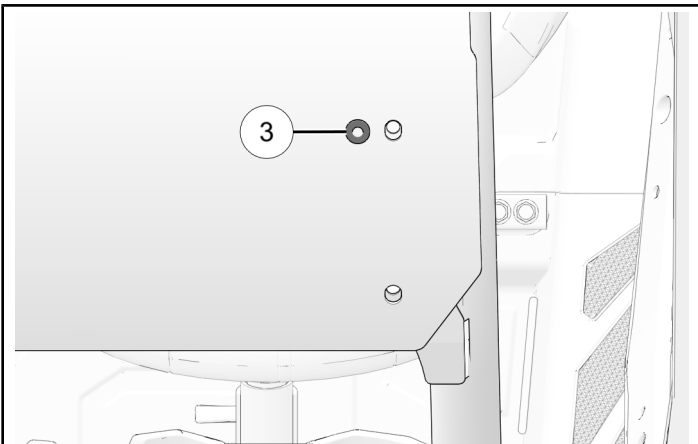
- Align template (included on last page of this instruction) with two roof mounting holes. Use a hole punch to mark roof to drill harness routing hole. Drill one **1/2 in (12.5 mm)** hole at marked location.

#### MEASUREMENT

Measurement (A):  
**1/2 in (12.5 mm)**



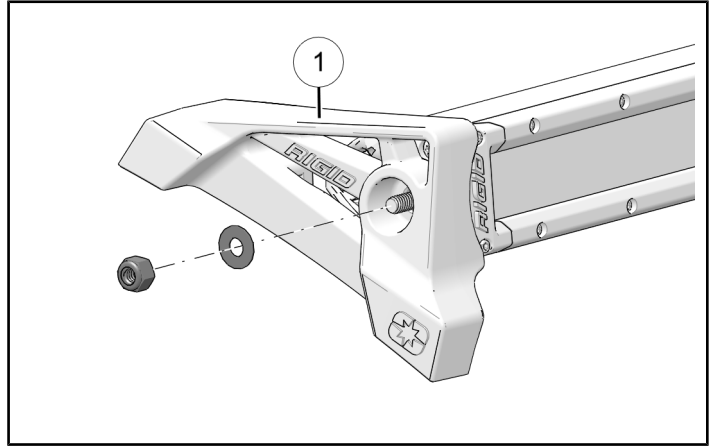
- Install grommet (3) in drilled hole.



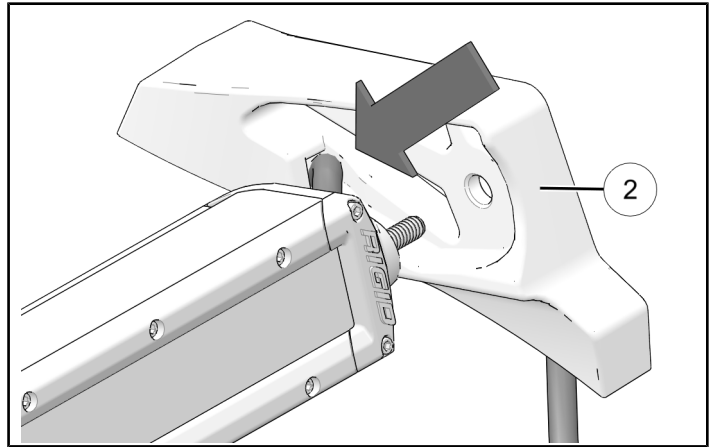
### LIGHT BAR MOUNT ASSEMBLY

- Install light bar (sold separately) to right-hand mount (1) with hardware supplied with light bar.

Do not torque end nut at this time.

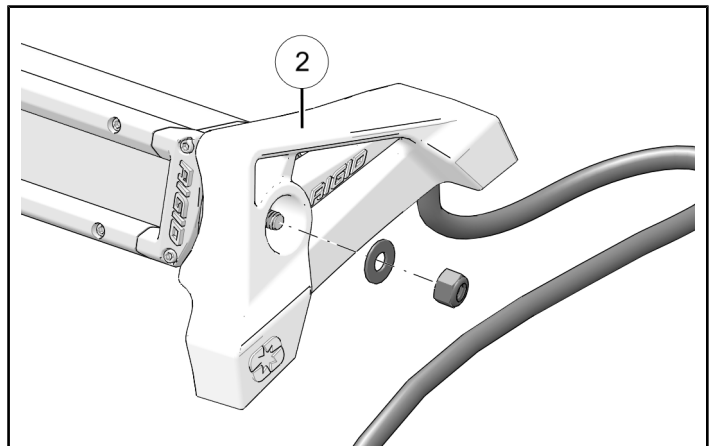


- Route light bar harness into left-hand mount (2).



- Install light bar to left-hand mount (2) with hardware supplied with light bar.

Do not torque end nut at this time.



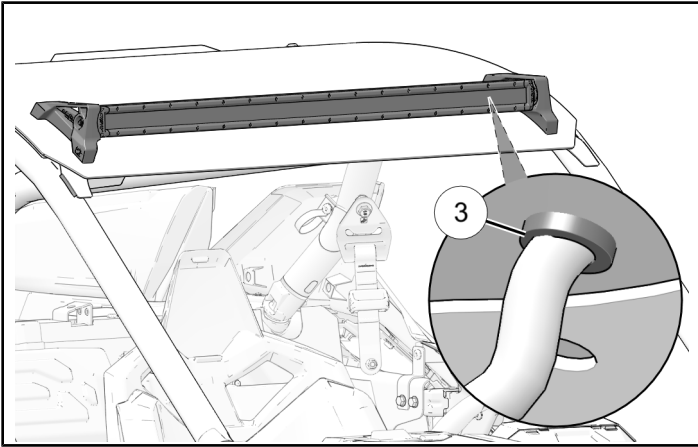


## LIGHT BAR INSTALLATION

1. Carefully set light bar assembly on roof and route harness through previously installed grommet ③.

### TIP

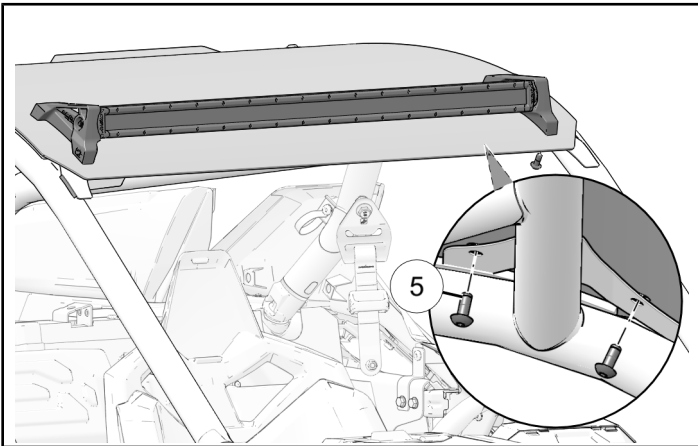
Apply a thin layer of grease to ease harness routing.



2. Install light bar mounts to roof and roll-cage with four fasteners ⑤. Torque four fasteners to specification.

### TORQUE

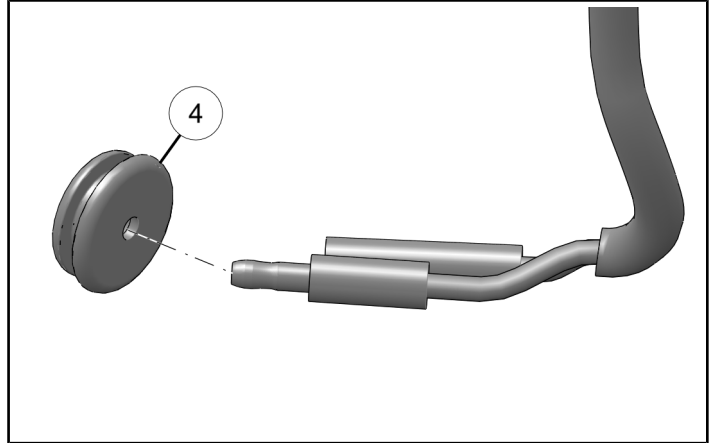
Light Bar Mount Fasteners ⑤:  
**15-20 ft-lbs (20-27 N·m)**



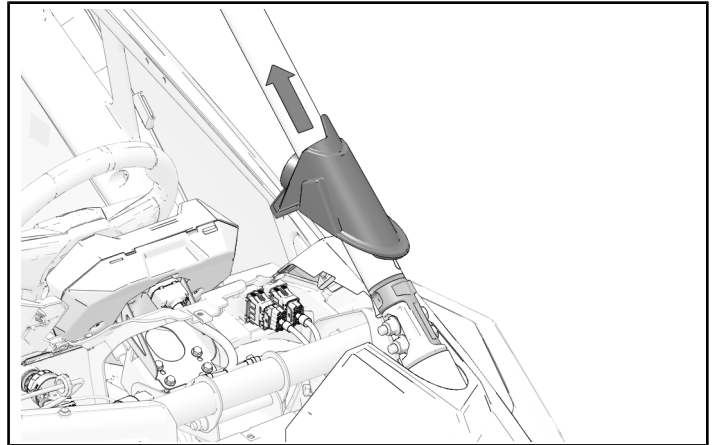
3. Route light bar harness through grommet ④.

### TIP

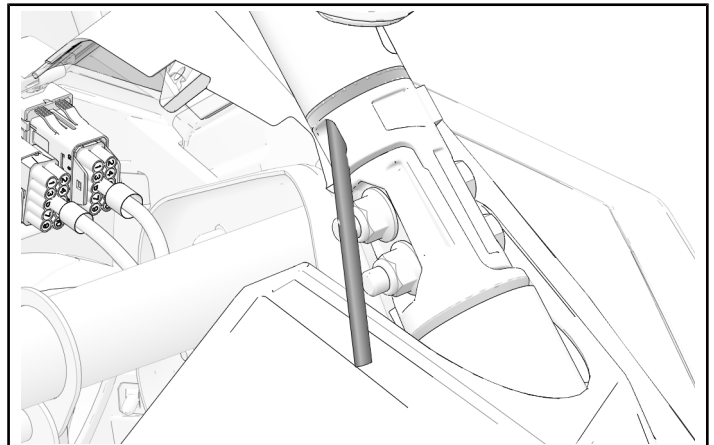
Apply a thin layer of grease to ease harness routing.



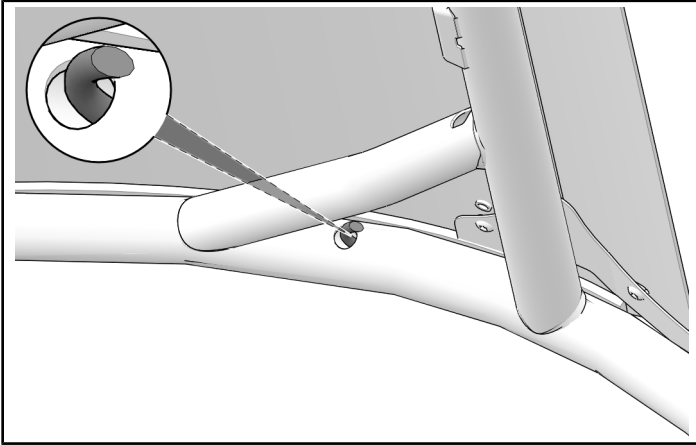
4. Slide left rubber boot up along roll-cage A-pillar to reveal lower brace.



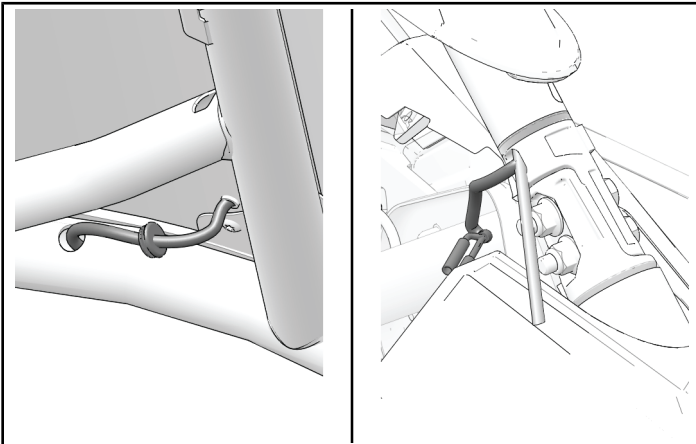
5. Feed fish tape (or equivalent) into opening in lower roll-cage brace and up tubing, toward roof.



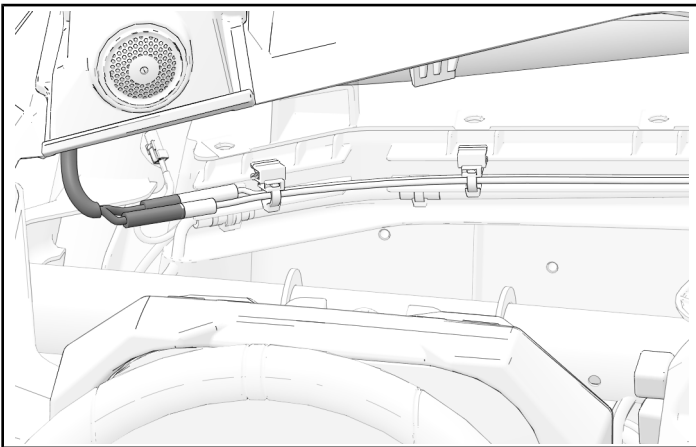
6. Locate fish tape, and pull from round opening in roll-cage.



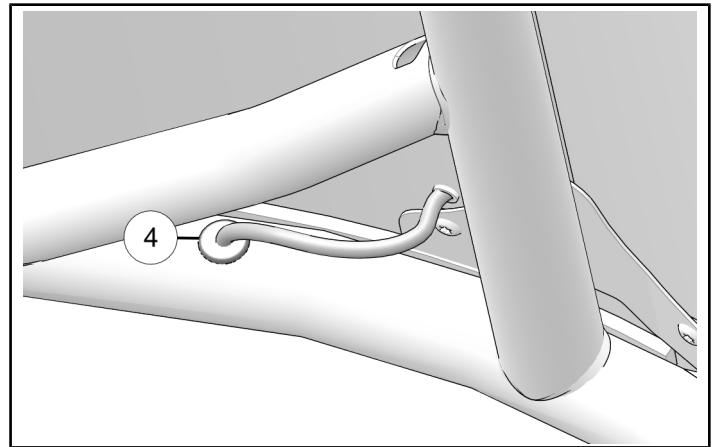
7. Tape light bar harness onto fish tape and pull both back through hole and out opening in roll-cage brace.



8. Connect light bar harness to corresponding connectors of *Light Bar Harness Kit*. Wrap connectors in electrical tape.



9. Install grommet ④ into roll-cage opening.



### **LIGHT BAR ADJUSTMENT**

1. Adjust aim of light bar to desired position and tighten outer nuts to specification.

#### **TORQUE**

Light Bar End Nuts:  
**16 ft-lbs (22 N·m)**

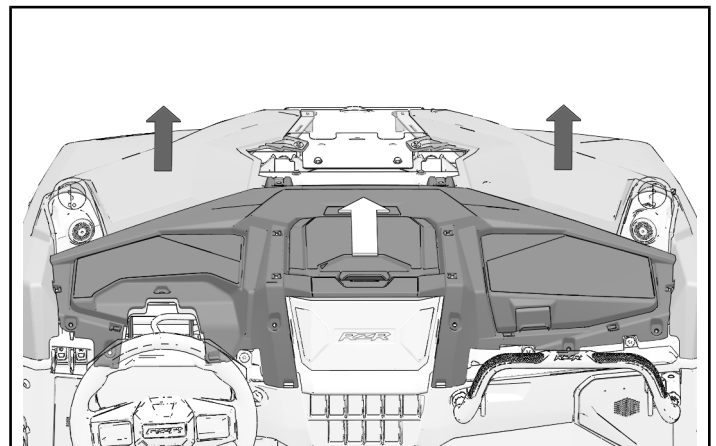
### **VEHICLE REASSEMBLY**

#### **DASHBOARD TOP INSTALLATION**

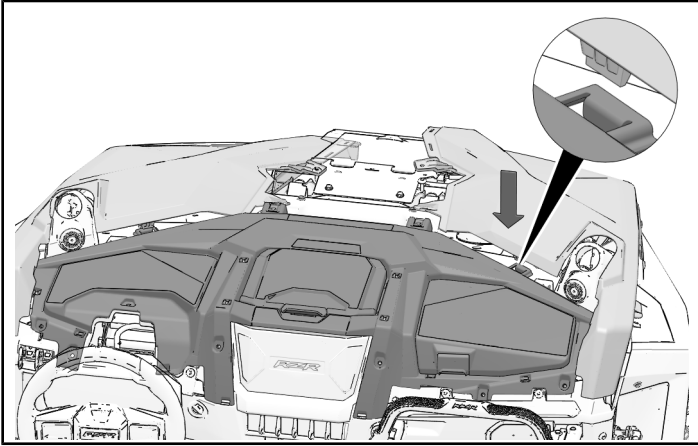
1. Carefully lift panels up-and-away from tabs and install dashboard top into place by tilting rear section up and installing front section first, then lower rear section into place.

#### **TIP**

Two people are recommended to complete this step.



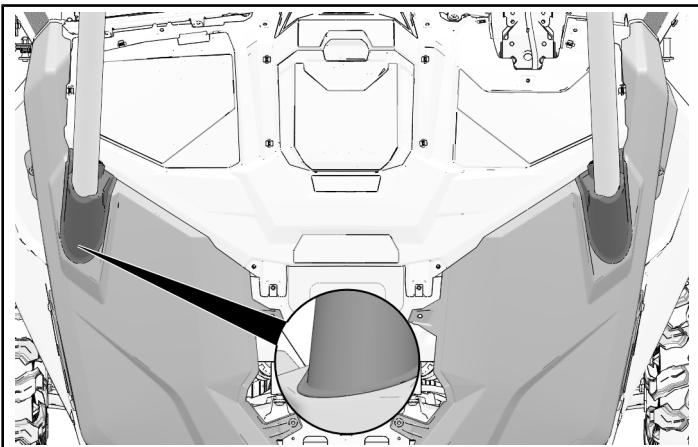
2. Ensure that tabs on panels are aligned in slots on dashboard top. (Passenger-side panel shown; driver-side panel similar.)



3. Ensure that both rubber boots are properly seated around hood panels. Only upper lip should be visible, as shown with inset.

**TIP**

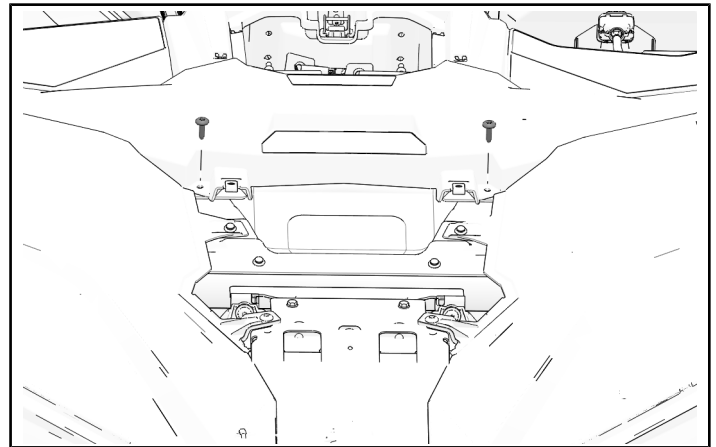
Push up on inside of fender to ease installation.



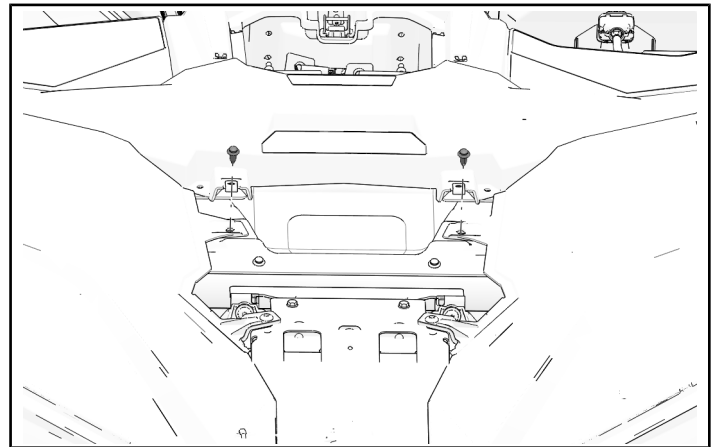
4. Reinstall two retained front dashboard fasteners into front edge of top dashboard.

**TORQUE**

Front Dashboard Fasteners:  
**88 in-lbs (10 N·m)**



5. Install hood panels to with two retained push-pin rivets

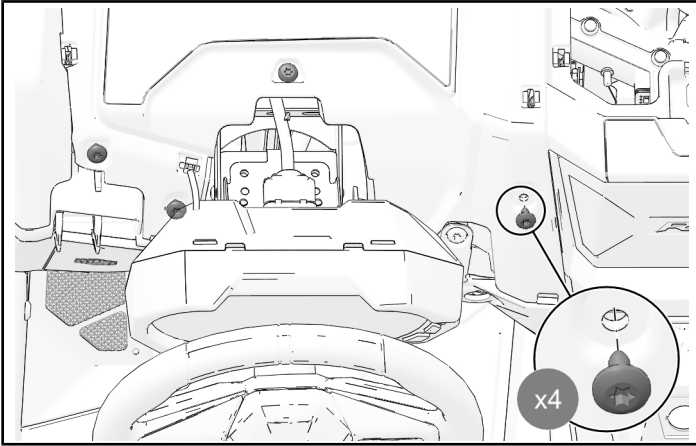




6. Tilt steering wheel down. Install four retained screws through dashboard top and torque to specification.

**TORQUE**

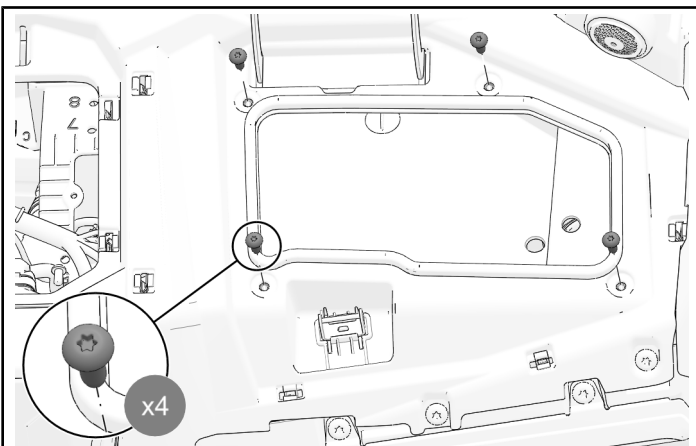
Dashboard Fasteners:  
**88 in-lbs (10 N·m)**



7. Open glove box lid and reinstall storage compartment. Install four retained dashboard fasteners around glove box opening.

**TORQUE**

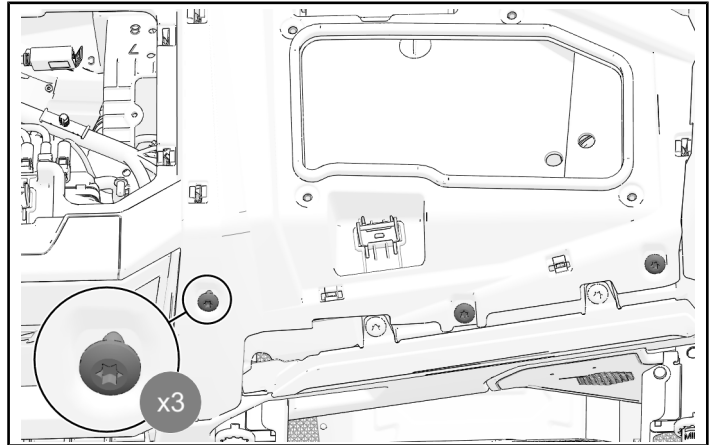
Dashboard Fasteners:  
**88 in-lbs (10 N·m)**



8. Install front of dashboard with three retained dashboard fasteners.

**TORQUE**

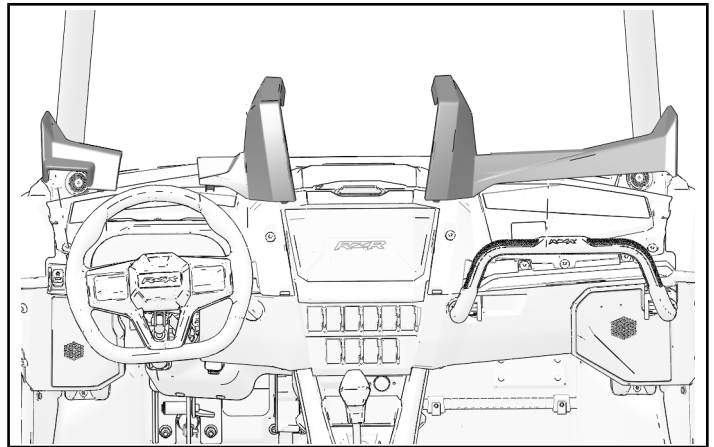
Dashboard Fasteners:  
**88 in-lbs (10 N·m)**



9. Install retained left, center, and right dashboard trim pieces.

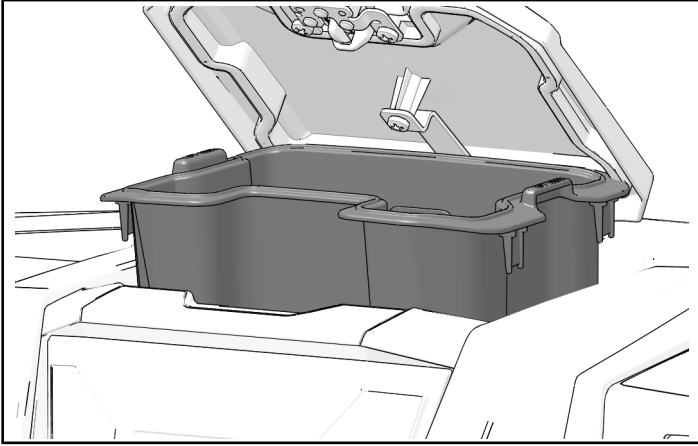
**TIP**

Release steering tilt lock for improved access.



## DASHBOARD STORAGE INSTALLATION

1. Slide storage compartment into dashboard cavity.

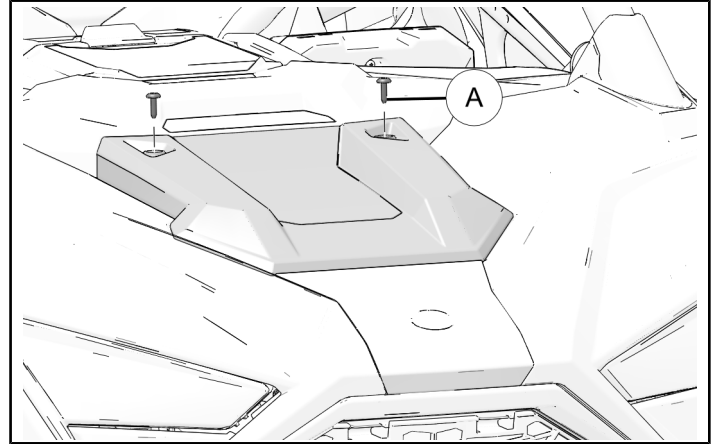


## CENTER HOOD PANEL INSTALLATION

1. Slide panel forward until tabs slide into front hood panel and install with two hood fasteners (A).

### TORQUE

Hood Fasteners (A):  
**88 in-lbs (10 N·m)**



## INSTRUCTION FEEDBACK FORM

A feedback form has been created for the installer to provide any comments, questions or concerns about the installation instructions. The form is viewable on mobile devices by scanning the QR code or by clicking [HERE](#) if viewing on a PC.



## TEMPLATE

1. Detach template page located at the end of this instruction.
2. Locate REFERENCE DIMENSION on each template page.

Verify REFERENCE DIMENSION is exact and template(s) were printed to proper scale.

### NOTE

If REFERENCE DIMENSION is not exact, reprint template page from electronic file. Adjust print setting to **“Actual Size”** to obtain 1:1 scale.

Electronic file available from your **Authorized Dealer**.

### MEASUREMENT

Measurement (A):  
**1/2 in (12.5 mm)**

