

FASCIA LIGHT BAR MOUNT KIT



P/N 2884595

BEFORE YOU BEGIN

Read these instructions and check to be sure all parts and tools are accounted for. Please retain these installation instructions for future reference and parts ordering information.

APPLICATION

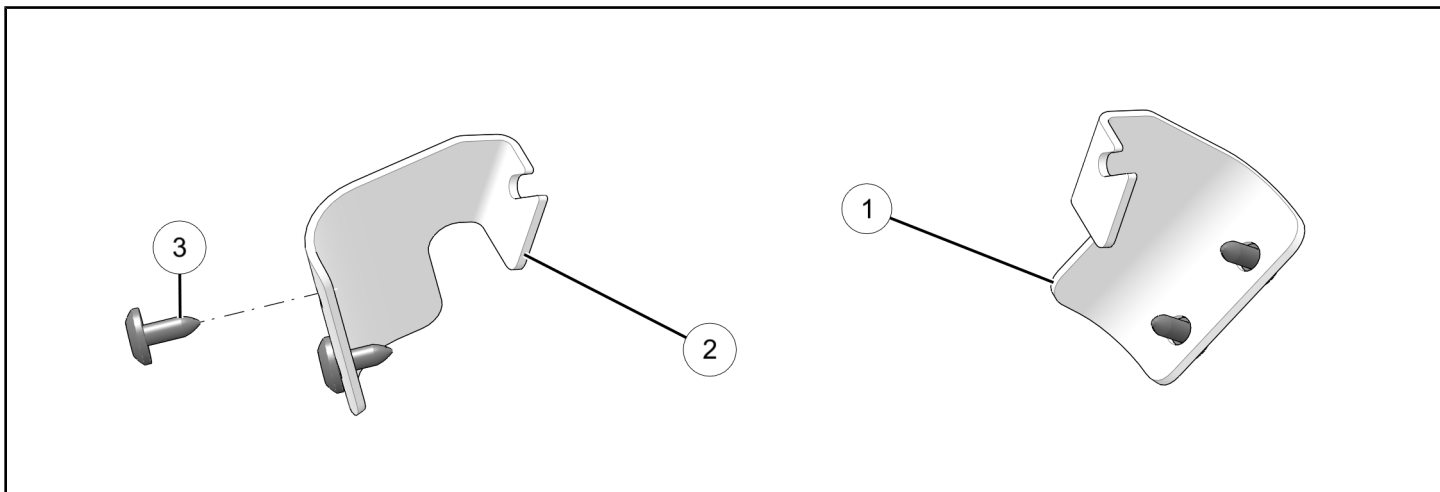
Verify accessory fitment at www.polaris.com.

REQUIRED SOLD SEPARATELY

Only parts for installation of the Fascia Light Bar Mount Kit are included. For complete installation, the following additional kits are required (sold separately):

- 6 Inch Light Bar, P/N 2884649
- Light Bar Harness Kit, (See dealer or website for compatible kit)

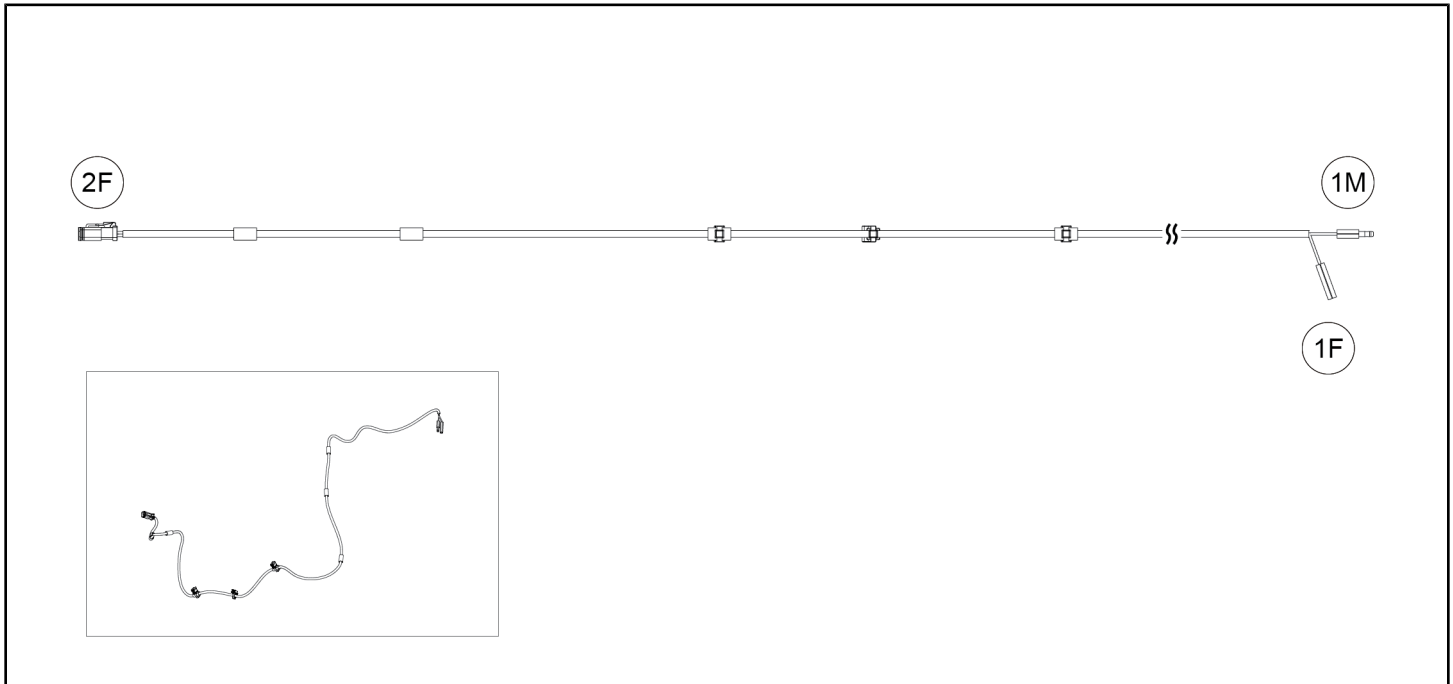
KIT CONTENTS



REF	QTY	PART DESCRIPTION	P/N AVAILABLE SEPARATELY
1	1	Bracket–Light Bar, Fascia, Left-Hand	n/a
2	1	Bracket–Light Bar, Fascia, Right-Hand	n/a
3	4	Screw–Torx® Truss Head, M6 x 1.0 x 16 mm	7518936
4	1	Harness–Light Bar, Fascia (see <i>Harness Detail</i> section)	2415377
5	3	Cable Ties	n/a

HARNESSES DETAIL

FASCIA LIGHT BAR HARNESSES ④



REF	PART DESCRIPTION	CONNECTS TO
2F	Connector–Light Bar	Light Bar (sold separately)
1M	Connector–Light Bar Harness, Power	Light Bar Harness (sold separately)
1F	Connector–Light Bar Harness, Ground	Light Bar Harness (sold separately)

Example: 16F = 16 pin, Female / 16M = 16 pin, Male (Male terminal fits inside female terminal)

TOOLS REQUIRED

- Safety Glasses
- Socket Set, SAE
- Socket Set, Torx® Bit
- Torque Wrench
- Wrench Set, SAE

CONSUMABLES REQUIRED

- Tape, Electrical

IMPORTANT

Your Fascia Light Bar Mount Kit is exclusively designed for your vehicle. Please read the installation instructions thoroughly before beginning. Installation is easier if the vehicle is clean and free of debris. For your safety, and to ensure a satisfactory installation, perform all installation steps correctly in the sequence shown.

INSTALLATION INSTRUCTIONS

VEHICLE PREPARATION

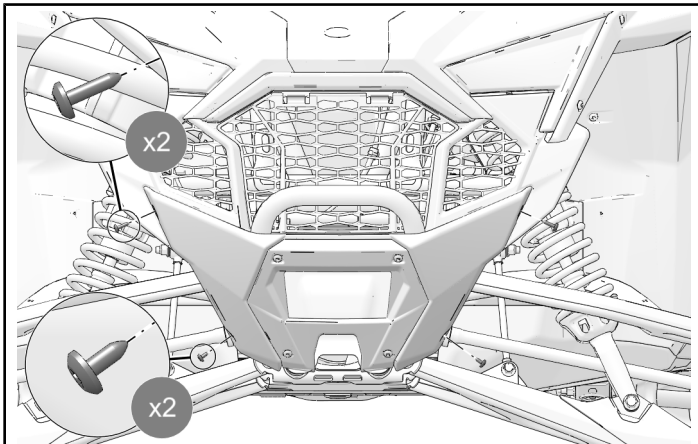
GENERAL

1. Shift vehicle transmission into PARK.
2. Turn key to OFF position and remove from vehicle.

3. Install *Light Bar Harness Kit* (sold separately).

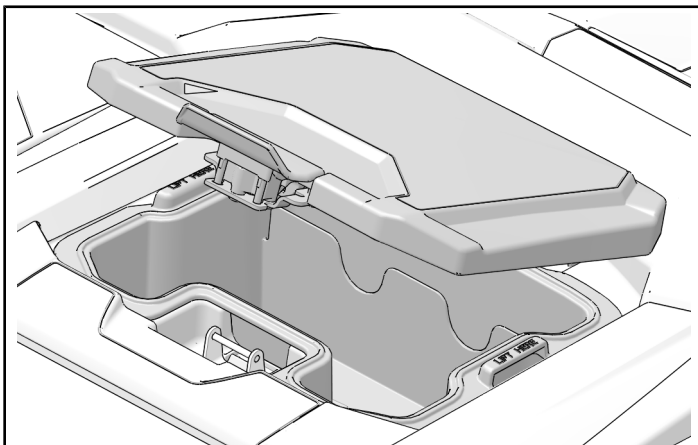
FRONT FASCIA REMOVAL

1. Remove two top mounting fasteners (longer) and two bottom mounting fasteners (shorter) to remove front fascia from vehicle.



DASHBOARD STORAGE REMOVAL

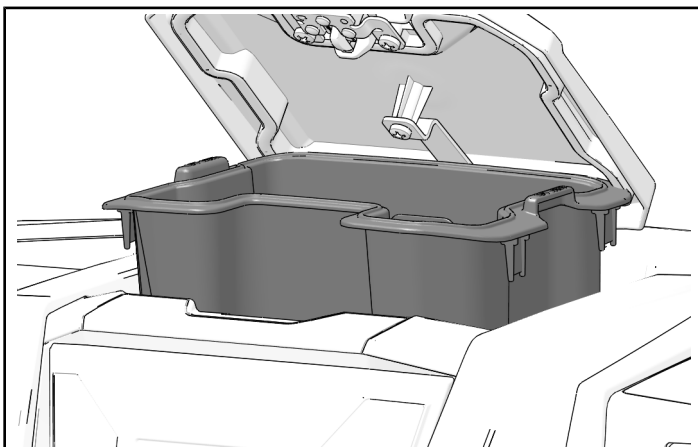
1. Open center dashboard storage compartment.



2. Remove storage compartment from dashboard.

TIP

If removing storage compartment is difficult, carefully use tool to pry storage compartment upwards where marked "LIFT HERE."

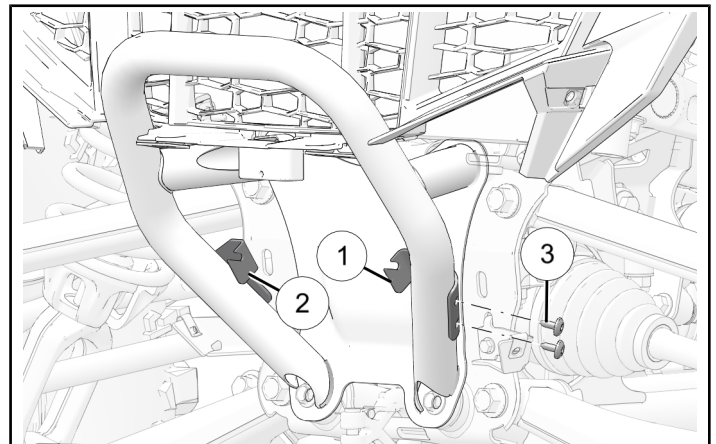


ACCESSORY INSTALLATION

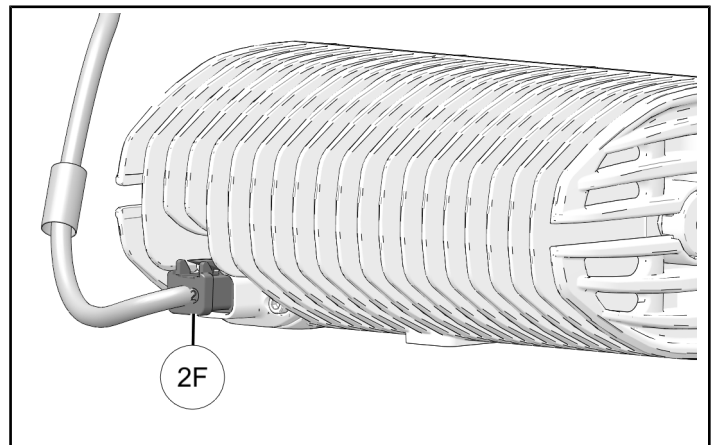
1. Align light bar mounts ① and ② with holes in bumper and install with two fasteners ③ per mount. Torque mount fasteners ③ to specification.

TORQUE

Mount Fasteners ③:
96 in-lbs (11 N·m)



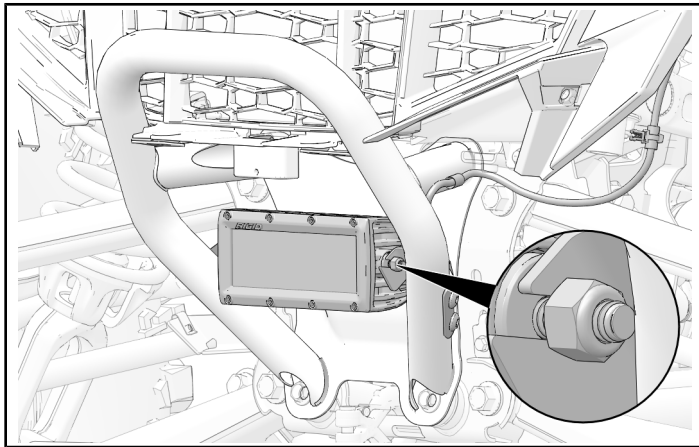
2. Connect light bar connector 2F into the back of fascia light bar (sold separately).



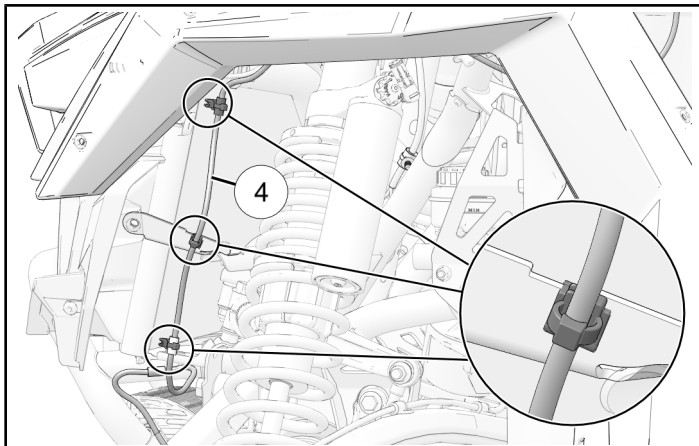
- Place light bar onto mounts and torque two end nuts to specification.

TORQUE

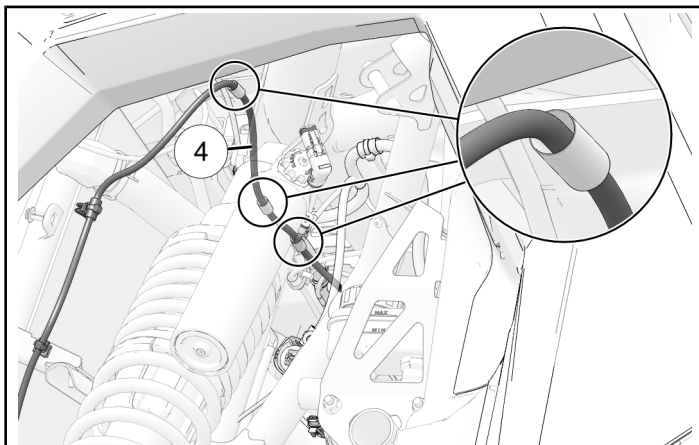
Light Bar End Nuts:
16 ft-lbs (22 N·m)



- Install light bar harness ④ along vehicle structure and radiator shroud with edge clips.



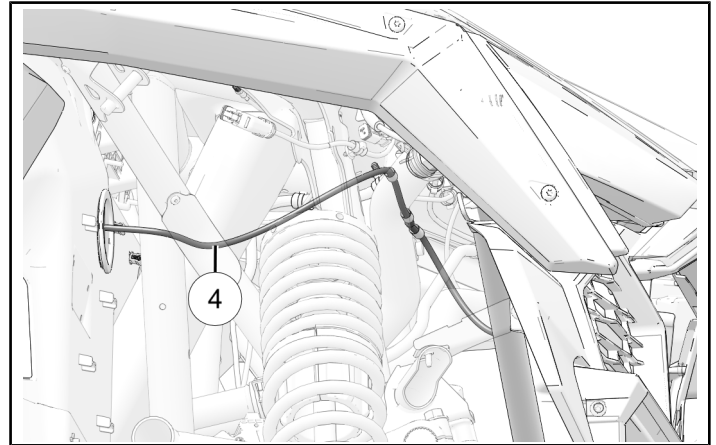
- Route light bar harness ④ from driver side to passenger side. Attach harness to chassis electrical harness with cable ties ⑤ at taped locations.



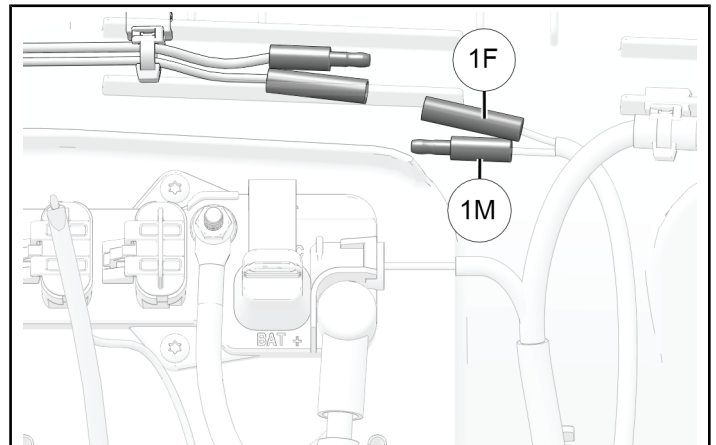
- Route light bar harness ④ through grommet in firewall.

IMPORTANT

Make sure harness is routed away from suspension and all other moving parts.



- Reach through empty storage compartment and pull light bar harness from firewall grommet. Connect bullet connectors 1F and 1M to corresponding connectors from *Light Bar Harness Kit*. Tape connections with electrical tape.



VEHICLE REASSEMBLY

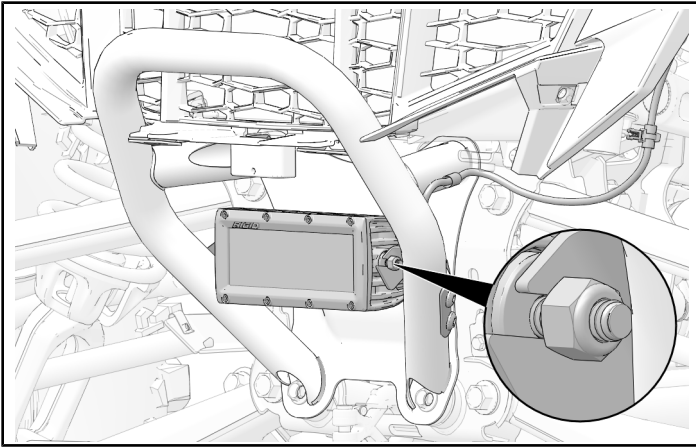
GENERAL

- Turn vehicle on.
- Turn fascia light bar on.

3. Loosen nuts to adjust light direction. Torque nuts to specification once light bar is in desired position.

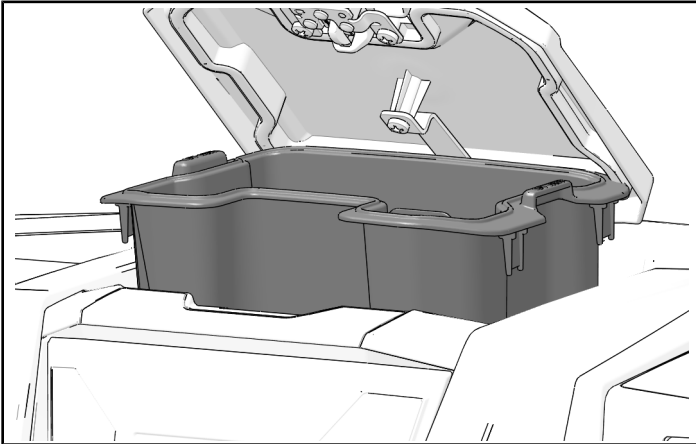
TORQUE

Light Bar End Nuts:
16 ft-lbs (22 N·m)



DASHBOARD STORAGE INSTALLATION

1. Slide storage compartment into dashboard cavity.



INSTRUCTION FEEDBACK FORM

A feedback form has been created for the installer to provide any comments, questions or concerns about the installation instructions. The form is viewable on mobile devices by scanning the QR code or by clicking [HERE](#) if viewing on a PC.

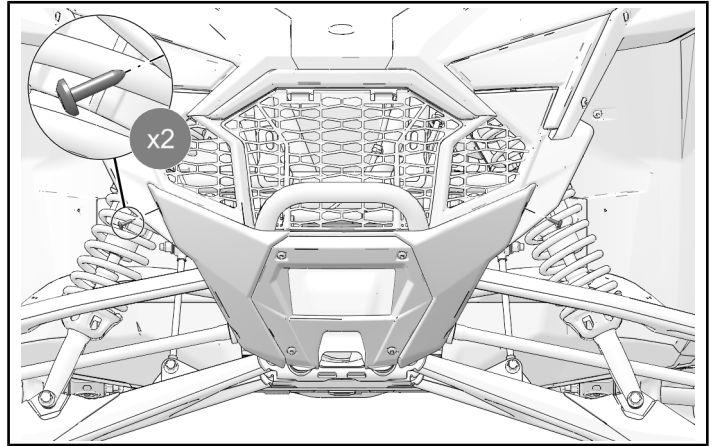


FRONT FASCIA INSTALLATION

1. Install top front fascia retained fasteners (longer).

TORQUE

Top Fascia Fasteners (longer):
7 ft-lbs (10 N·m)



2. Install bottom front fascia with retained fasteners (shorter).

TORQUE

Bottom Fascia Fasteners (shorter):
7 ft-lbs (10 N·m)

