

# REAR PANEL KIT



P/N 2884352, 2884594

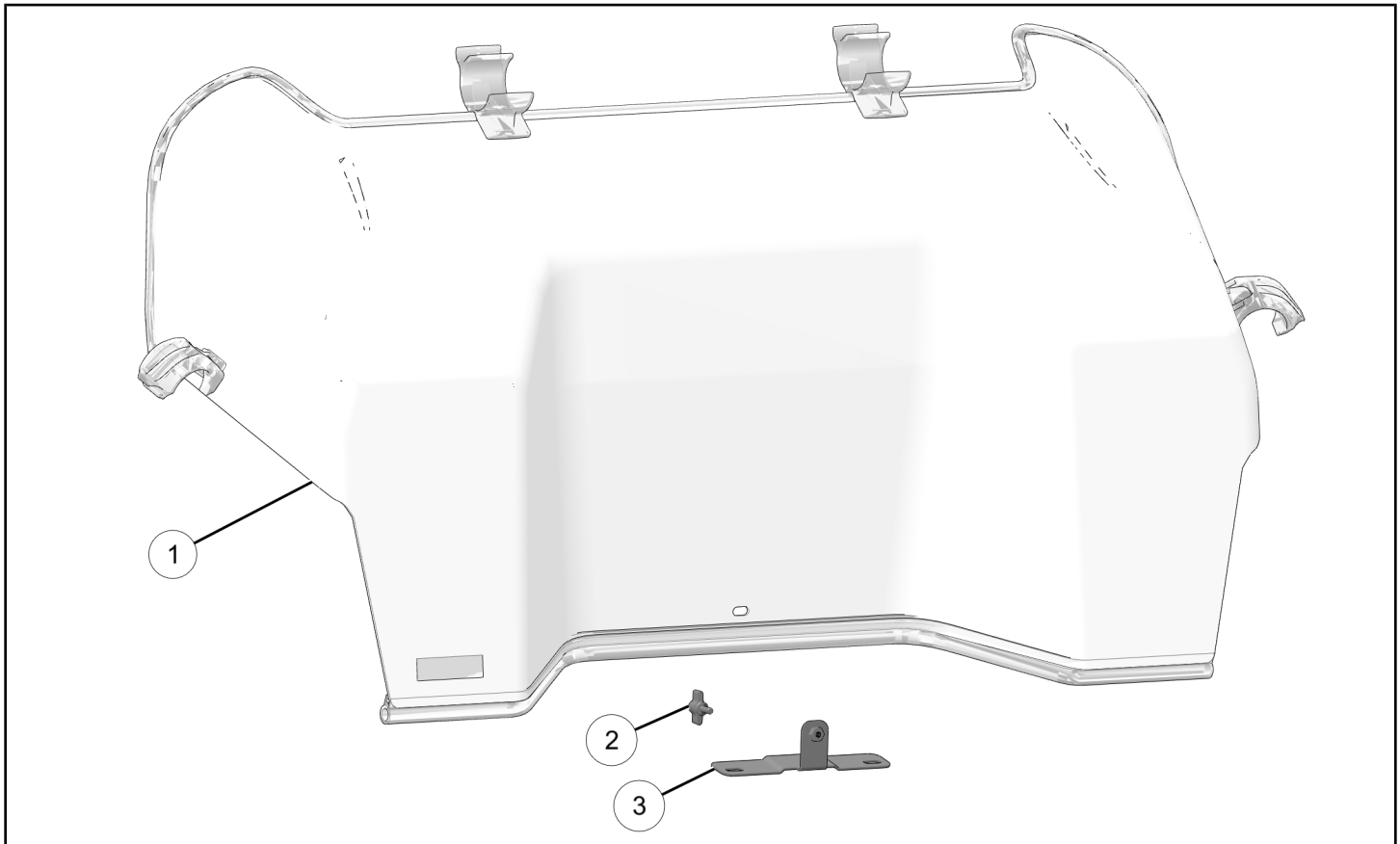
## APPLICATION

Verify accessory fitment at [www.polaris.com](http://www.polaris.com).

## BEFORE YOU BEGIN

Read these instructions and check to be sure all parts and tools are accounted for. Please retain these installation instructions for future reference and parts ordering information.

## KIT CONTENTS



REF	QTY	PART DESCRIPTION	P/N AVAILABLE SEPARATELY
1	1	Assembly–Rear Panel	n/a
2	1	Knob–M6 x 1.0 x 15 mm	7521155
3	1	Bracket–Center, Rear Panel	n/a

## TOOLS REQUIRED

- Safety Glasses
- Screwdriver Set, Torx®
- Socket Set, Torx® Bit
- Torque Wrench

## IMPORTANT

Your Rear Panel Kit is exclusively designed for your vehicle. Please read the installation instructions thoroughly before beginning. Installation is easier if the vehicle is clean and free of debris. For your safety, and to ensure a satisfactory installation, perform all installation steps correctly in the sequence shown.

## INSTALLATION INSTRUCTIONS

### VEHICLE PREPARATION

#### GENERAL

1. Shift vehicle transmission into PARK.
2. Turn key to OFF position and remove from vehicle.
3. Note hazard label, located on left-rear of rear panel. Make sure intake screens are clear of debris during each pre-ride check.

### **⚠ IMPORTANT**

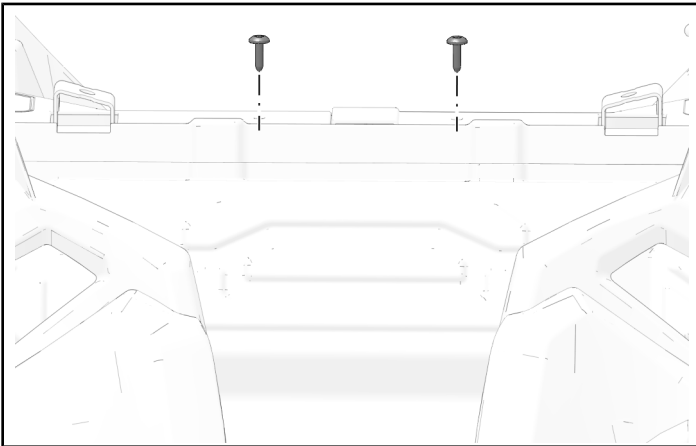
Keep intake screens clear of snow, dust and mud build-up

### ACCESSORY INSTALLATION

#### NOTICE

P/N 2884352 (two passenger vehicles) shown; P/N 2884594 (four passenger vehicles) similar.

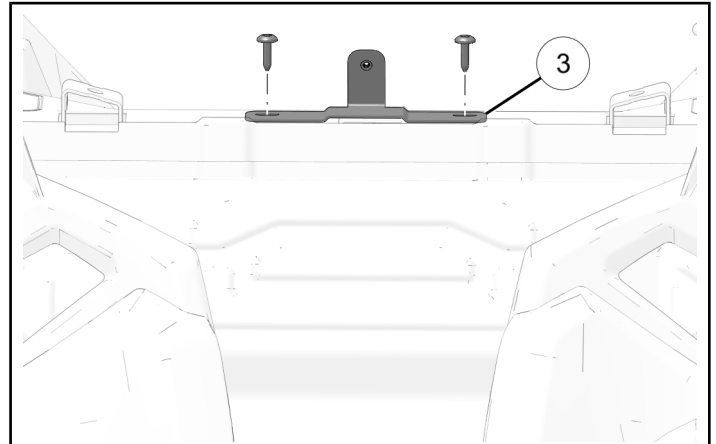
1. Remove and keep two body panel fasteners, located between seats.



2. Install rear panel bracket ③ with two retained fasteners. Make sure vertical part of bracket is facing rearward.

#### TORQUE

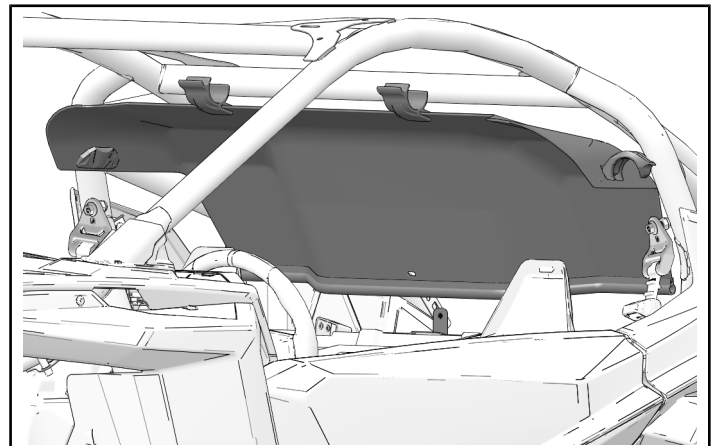
Body Fasteners:  
**89 in-lbs (10 N·m)**



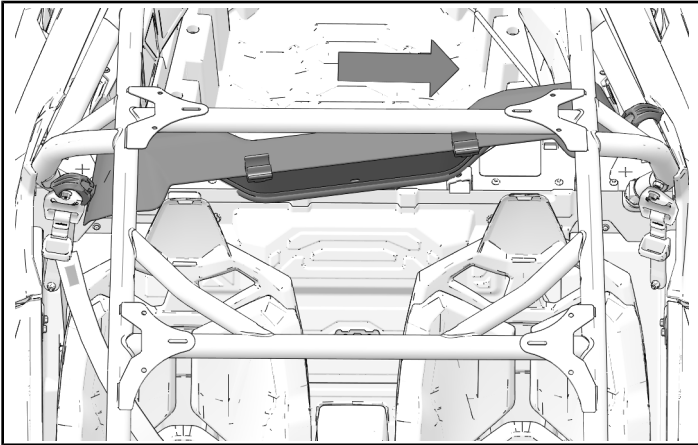
3. Move rear panel into cab and behind headrests.

#### TIP

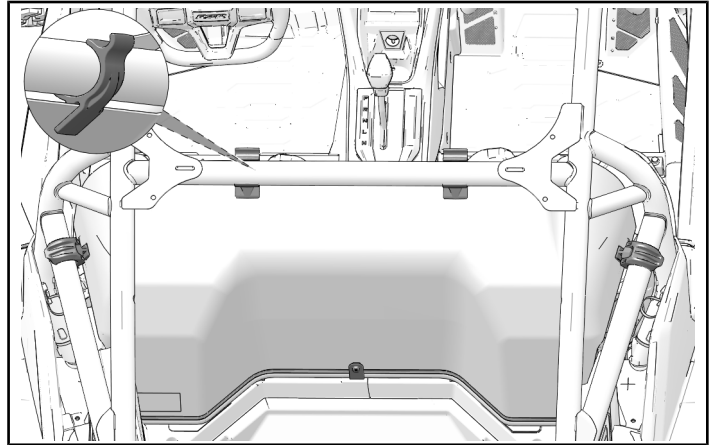
Use extra caution during installation if other accessories are installed.



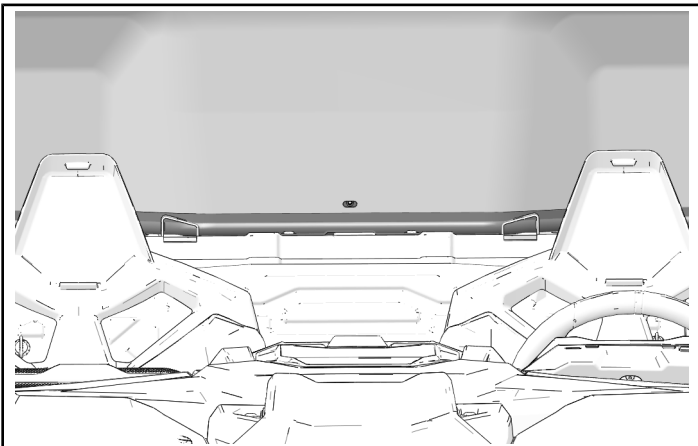
4. Carefully position rear panel so that side clamps rest on horizontal ROPS.



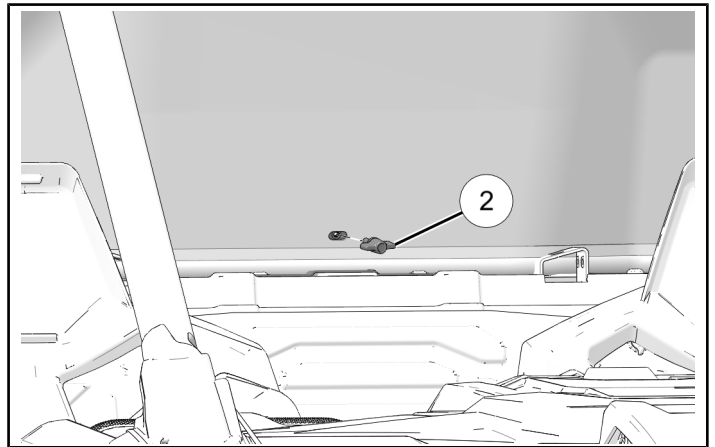
7. Press top clamps upward to engage beneath horizontal tube.



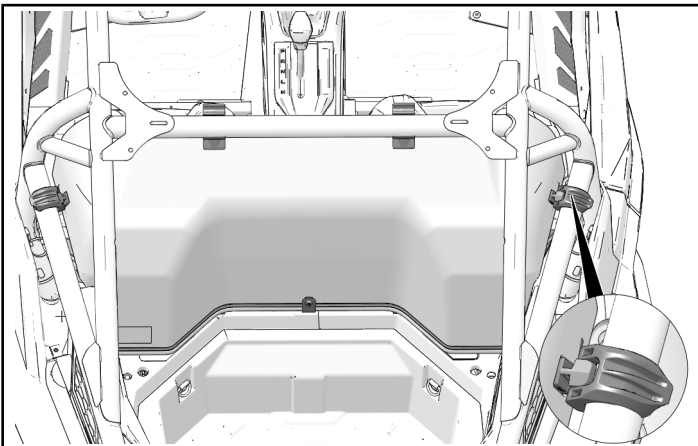
5. Compress seal to fit securely against body panel. Make sure mounting bracket is outside of rear panel.



8. Secure rear panel to bracket with knob fastener ②.



6. Press side clamps downward to engage on top of horizontal ROPS.



## INSTRUCTION FEEDBACK FORM

A feedback form has been created for the installer to provide any comments, questions or concerns about the installation instructions. The form is viewable on mobile devices by scanning the QR code or by clicking [HERE](#) if viewing on a PC.

