

ALUMINUM ROOF KIT



P/N 2884237

APPLICATION

Verify accessory fitment at www.polaris.com.

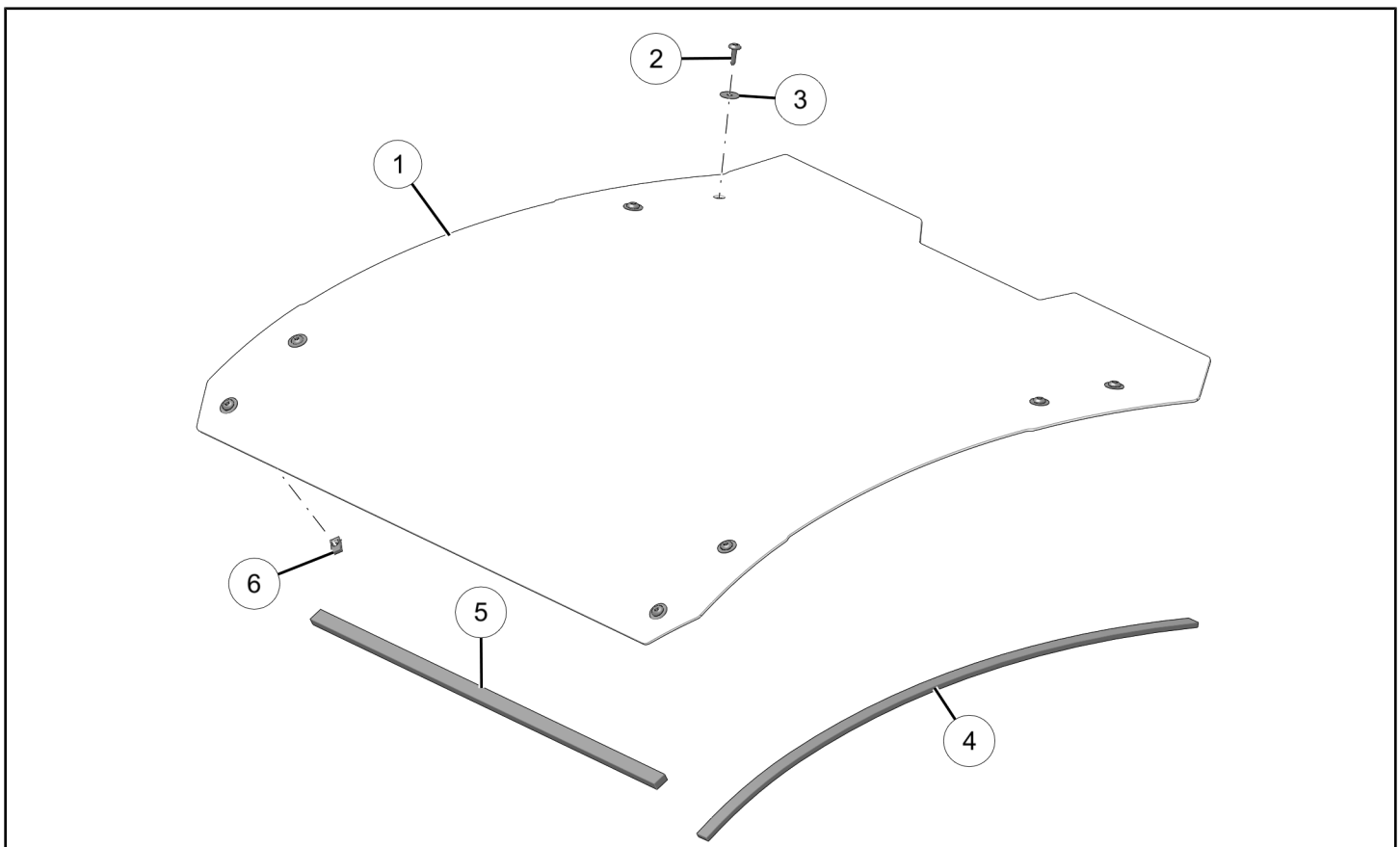
BEFORE YOU BEGIN

Read these instructions and check to be sure all parts and tools are accounted for. Please retain these installation instructions for future reference and parts ordering information.

ACCESSORY WEIGHT

Accessories, passenger, and other factors may negatively affect ride performance. Refer to your vehicle's owner's manual for maximum weight capacity and suspension adjustment procedures.

KIT CONTENTS



NOTICE

XXX = Polaris® color code (For example: 458 = Black)

REF	QTY	PART DESCRIPTION	P/N AVAILABLE SEPARATELY	AVAILABLE SERVICE KIT
1	1	Panel—Main Roof, Aluminum	n/a	n/a
2	8	Screw—Torx® Truss Head, M6 x 1.0 x 25 mm	n/a	2208196
3	8	Washer—0.281 x 1.00 x 0.051 mm	n/a	2208196

REF	QTY	PART DESCRIPTION	P/N AVAILABLE SEPARATELY	AVAILABLE SERVICE KIT
4	2	Foam—20 x 10.5 x 879 mm	n/a	n/a
5	2	Foam—20 x 10.5 x 718 mm	n/a	n/a
6	8	Clip—U Nut, Speed Nut	n/a	2208196

TOOLS REQUIRED

- Safety Glasses
- Screwdriver Set, Torx®
- Socket Set, Torx® Bit
- Torque Wrench

IMPORTANT

Your Aluminum Roof Kit is exclusively designed for your vehicle. Please read the installation instructions thoroughly before beginning. Installation is easier if the vehicle is clean and free of debris. For your safety, and to ensure a satisfactory installation, perform all installation steps correctly in the sequence shown.

INSTALLATION INSTRUCTIONS

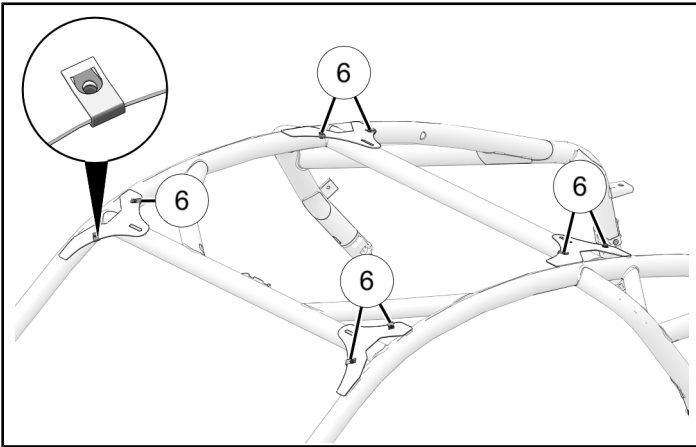
VEHICLE PREPARATION

GENERAL

1. Shift vehicle transmission into PARK.
2. Turn key to OFF position and remove from vehicle.

ACCESSORY INSTALLATION

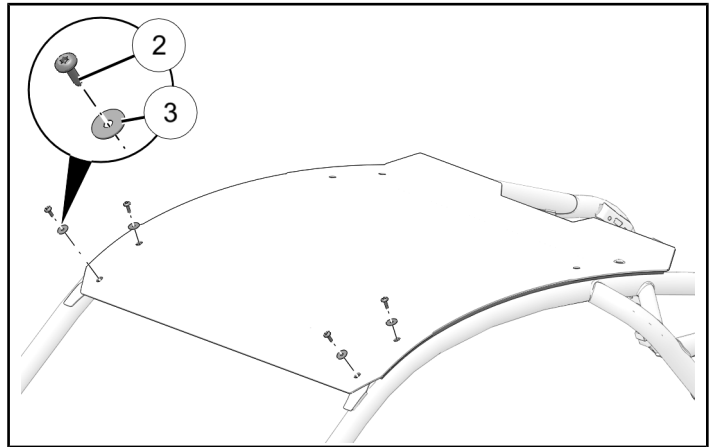
1. Install eight U-nuts ⑥ onto rear roof panel.



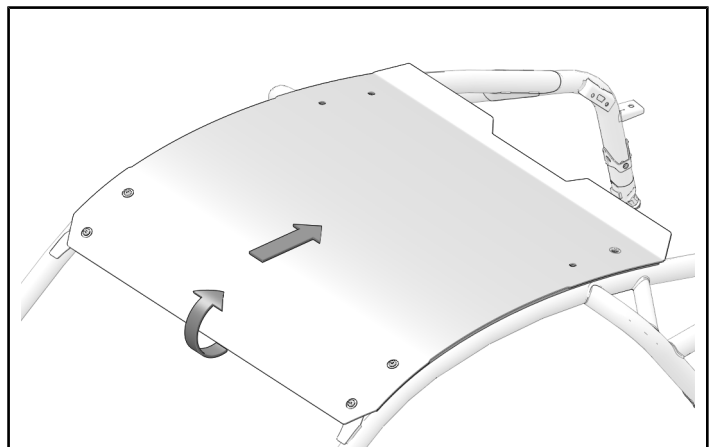
2. Install front roof panel with four fasteners ② and four washers ③.

TORQUE

Roof Fasteners ②:
11 ft-lbs (15 N·m)

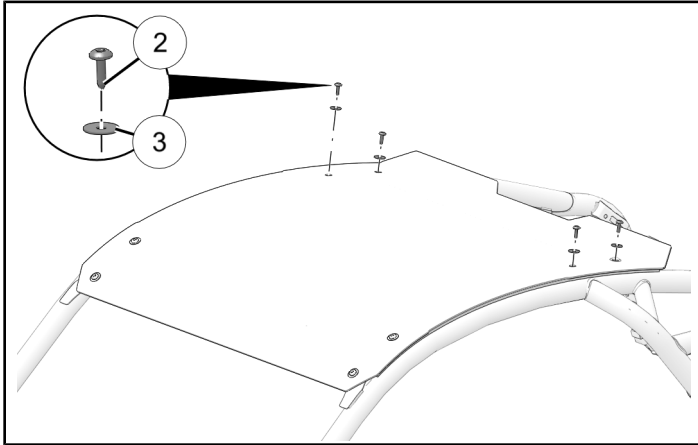


3. With front of roof panel secure to ROPS, begin to slowly pull roof panel back so that it molds to the curvature of the ROPS.



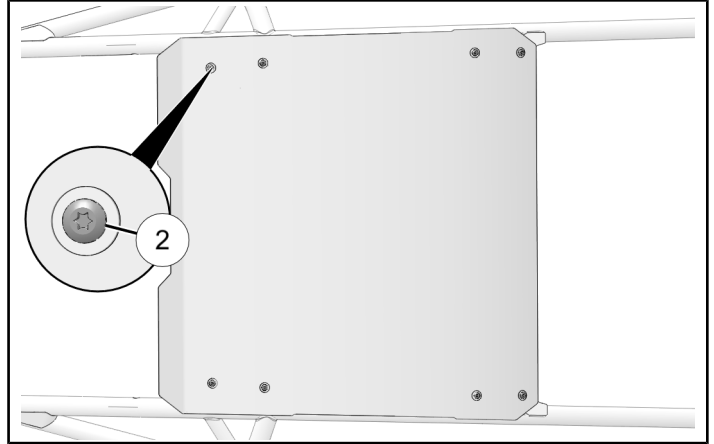
4. Install rear of roof panel with four fasteners ② and four washers ③.

TORQUE
Roof Fasteners ②:
11 ft-lbs (15 N·m)



5. Verify torque specification of roof fasteners.
Torque value may change due to foam compression.

TORQUE
Roof Fasteners ②:
11 ft-lbs (15 N·m)



INSTRUCTION FEEDBACK FORM

A feedback form has been created for the installer to provide any comments, questions or concerns about the installation instructions. The form is viewable on mobile devices by scanning the QR code or by clicking [HERE](#) if viewing on a PC.

