

WINDSHIELD WIPER KIT



P/N 2884579

BEFORE YOU BEGIN

Read these instructions and check to be sure all parts and tools are accounted for. Please retain these installation instructions for future reference and parts ordering information.

APPLICATION

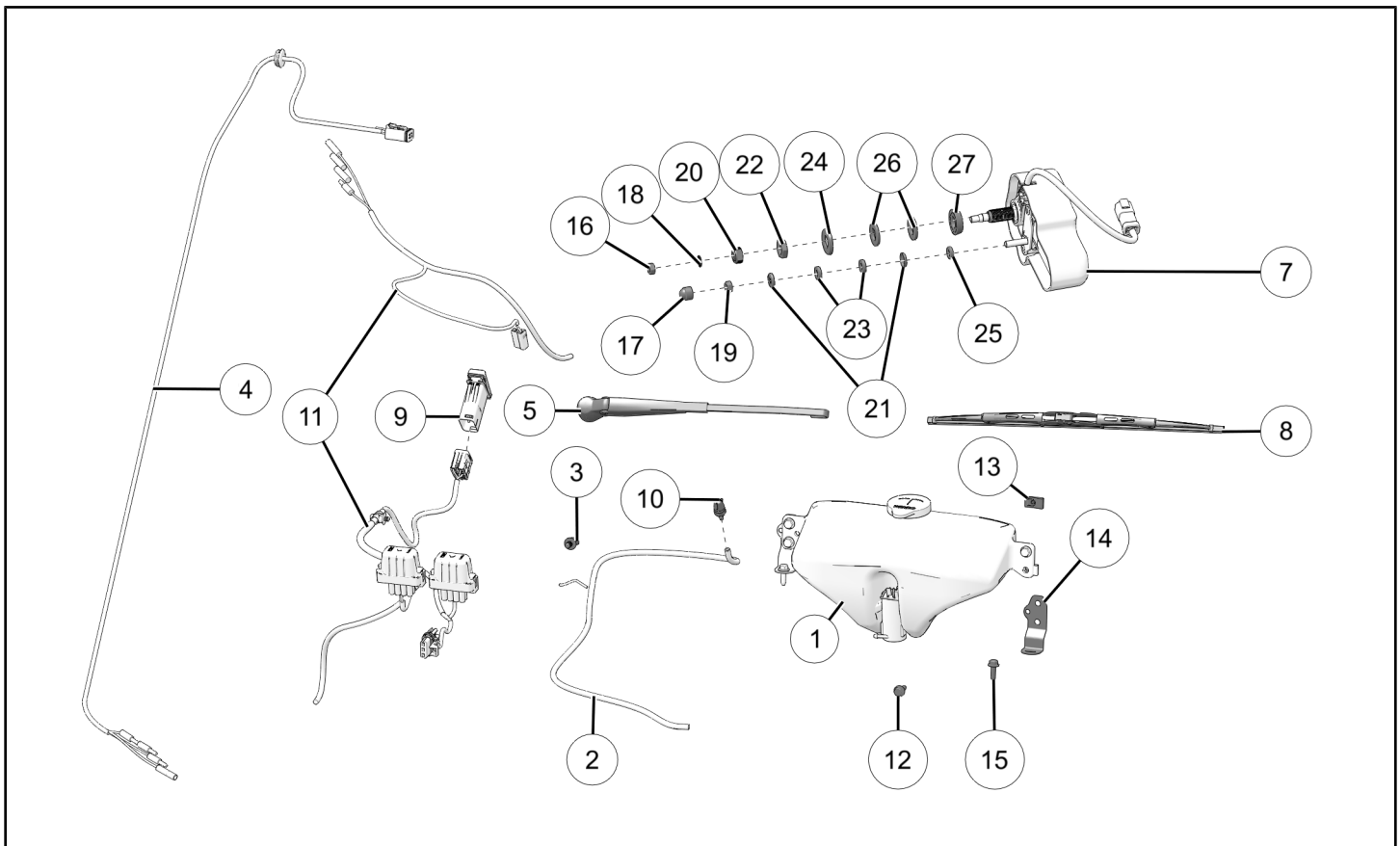
Verify accessory fitment at www.polaris.com.

REQUIRED SOLD SEPARATELY

Only parts for installation of the Windshield Wiper Kit are included. Prior installation of the following additional kits are also required (sold separately):

- Glass Windshield Kit, P/N 2884545

KIT CONTENTS

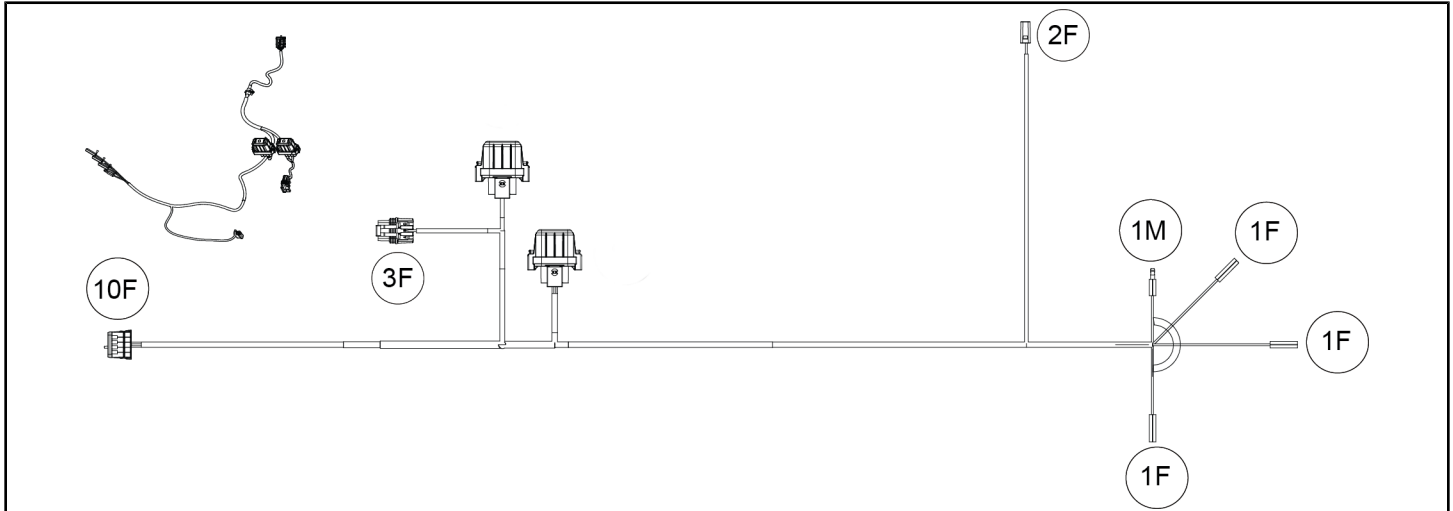


REF	QTY	PART DESCRIPTION	P/N AVAILABLE SEPARATELY	AVAILABLE SERVICE KIT
1	1	Washer Fluid Bottle	n/a	2208328
2	1	Wiper Washer Hose	n/a	2208348
3	2	Dart Push, Cable Tie	7081496	n/a
4	1	ROPS Wiper Harness	n/a	n/a

REF	QTY	PART DESCRIPTION	P/N AVAILABLE SEPARATELY	AVAILABLE SERVICE KIT
5	1	Windshield Wiper Arm	2638415	n/a
6	3	Cable Tie (not shown)	7080492	n/a
7	1	Windshield Wiper Motor	2637637	n/a
8	1	Windshield Wiper Blade	2637635	n/a
9	1	Windshield Wiper Switch	4080801-10	n/a
10	1	Windshield Wiper Nozzle	2637660	n/a
11	2	Main Wiper Harness	n/a	n/a
12	2	Screw, M6 x 1.0 x 20 mm	n/a	n/a
13	4	Speed Nut Clip	7081305	n/a
14	2	Bottle Mount Bracket	5269117	n/a
15	2	Screw-Hex Flange, M6 x 1.0 x 20 mm	n/a	n/a
16	1	Hex Nut M8 x 1.25 mm	n/a	2208225
17	1	Upper Cap	n/a	2208226
18	1	Locking Washer 8 x 15 x .08 mm	n/a	2208225
19	1	Hex Nut M6 1.0 x 8 mm	n/a	2208226
20	1	Washer Cap	n/a	2208225
21	2	Cupped Washer	n/a	2208226
22	1	Hex Nut M14 x 1.75 x 8 mm	n/a	2208225
23	2	Plastic Washer	n/a	2208226
24	1	Upper Rubber Washer	n/a	2208225
25	1	Support Spacer 8 x 16 x 4.2 mm	n/a	2208226
26	2	Washer 16.2 x 3 x 3.5 mm	n/a	2208225
27	1	Rubber Washer	n/a	2208226
28	2	Hood Removal Knob (not shown)	7521155	n/a

HARNESS DETAIL

MAIN WINDSHIELD WIPER HARNESS



REF	PART DESCRIPTION	CONNECTS TO
10F	Switch Connector	Wiper Switch
3F	Polaris Pulse Connector®	Pulse Bar
2F	Washer Pump Connector	Washer Pump
1M	Connector-Ground, Wiper (Black)	ROPS Windshield Wiper Harness
1F	Connector-Park, Wiper (Blue)	ROPS Windshield Wiper Harness
1F	Connector-Power, Wiper (Green)	ROPS Windshield Wiper Harness
1F	Connector-On, Wiper (Orange)	ROPS Windshield Wiper Harness

Example: 16F = 16 pin, Female / 16M = 16 pin, Male (Male terminal fits inside female terminal)

ROPS WINDSHIELD WIPER HARNESS



REF	PART DESCRIPTION	CONNECTS TO
4F	Connector-Motor, Wiper	Connector, Motor
1M	Connector-On, Wiper (Red)	Main Windshield Wiper Harness
1M	Connector-Park, Wiper (Green)	Main Windshield Wiper Harness

REF	PART DESCRIPTION	CONNECTS TO
1M	Connector-Power, Wiper (Blue)	Main Windshield Wiper Harness
1F	Connector-Power, Terminal (Brown)	Main Windshield Wiper Harness
Example: 16F = 16 pin, Female / 16M = 16 pin, Male (Male terminal fits inside female terminal)		

TOOLS REQUIRED

- Safety Glasses
- Deburring Tool
- Drill
- Drill Bit:
 - (7 mm) 9/32 in
 - (8 mm) 5/16 in
 - (19 mm) 3/4 in
- Rubber Mallet
- Screwdriver Set, Torx®
- Socket Set, Metric
- Socket Set, Torx® Bit
- Tape Measure
- Torque Wrench
- Wrench Set, Metric

CONSUMABLES REQUIRED

- Windshield Washer Fluid

IMPORTANT

Your Windshield Wiper Kit is exclusively designed for your vehicle. Please read the installation instructions thoroughly before beginning. Installation is easier if the vehicle is clean and free of debris. For your safety, and to ensure a satisfactory installation, perform all installation steps correctly in the sequence shown.

INSTALLATION INSTRUCTIONS

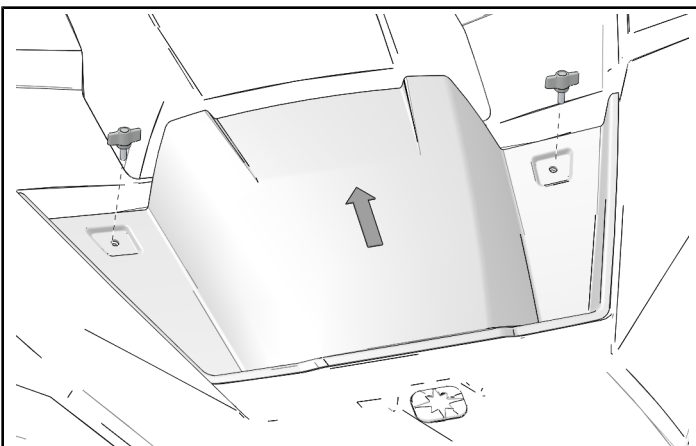
VEHICLE PREPARATION

GENERAL

1. Park vehicle on a flat surface.
2. Shift vehicle into PARK.
3. Turn key to OFF position and remove key.

HOOD REMOVAL

1. Remove and keep two hood knobs. Move hood rearward to remove.

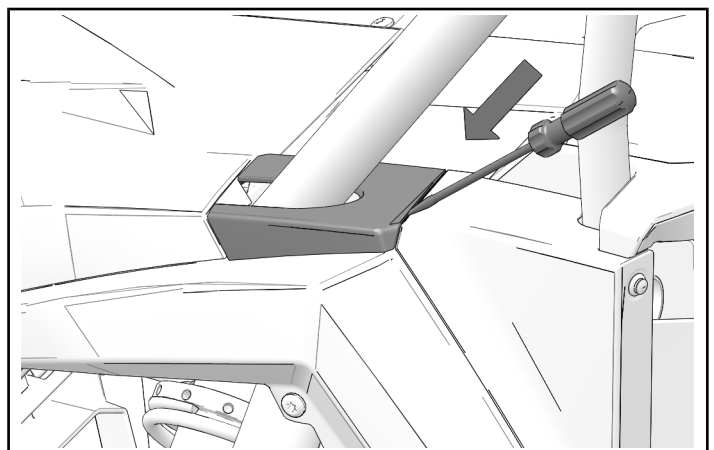


OUTER HOOD REMOVAL

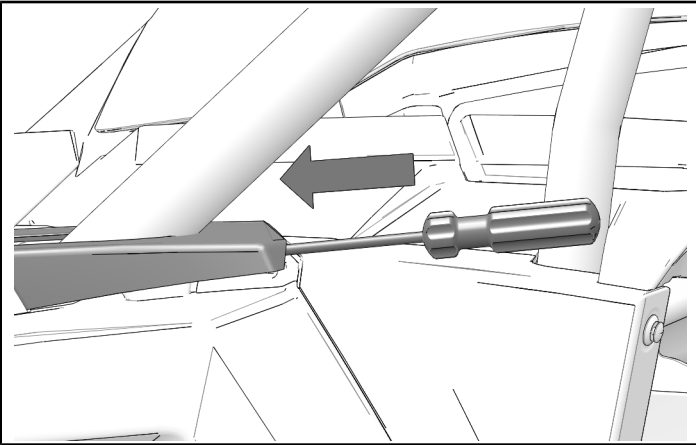
1. Gently insert flat head screwdriver under rear seam of front pocket fender

NOTE

Left side shown, right side similar.



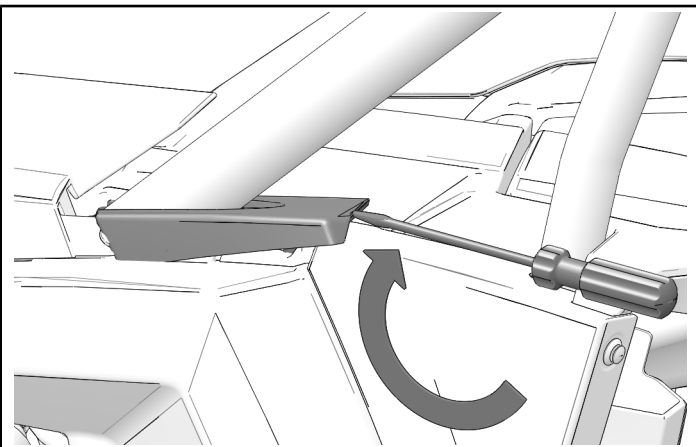
2. Slide flat head screwdriver under front pocket fender.



NOTE

Left side shown, right side similar.

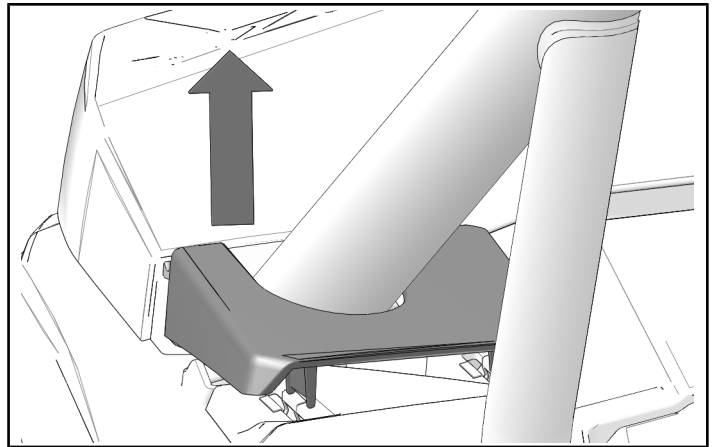
3. Gently lift screwdriver upward to free front pocket fender from clips.



NOTE

Left side shown, right side similar.

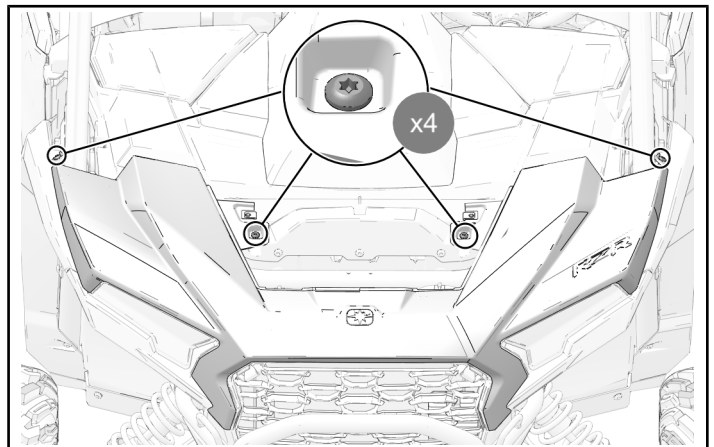
4. Remove and keep front pocket fender.



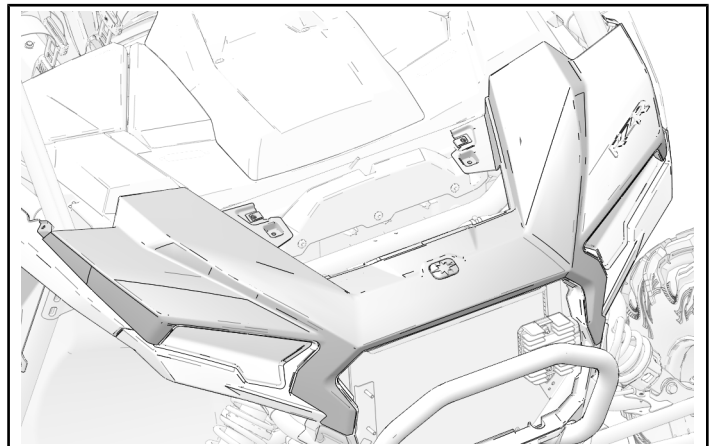
NOTE

Left side shown, right side similar.

5. Remove and keep four outer hood fasteners.

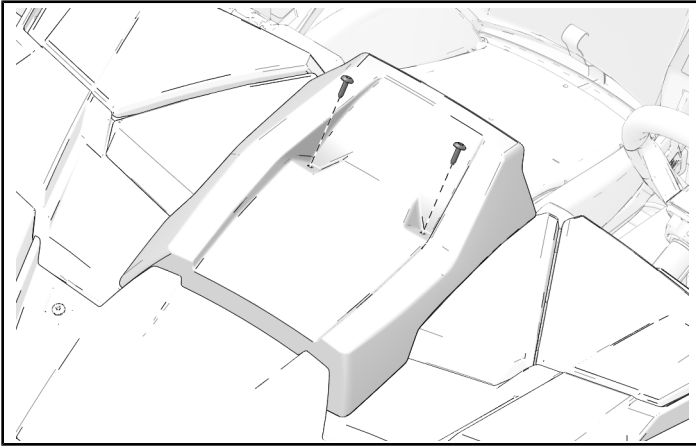


6. Remove outer hood from vehicle.

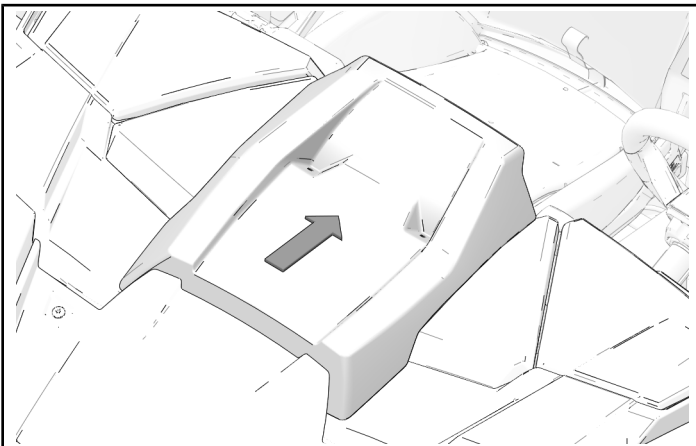


CENTER DASHBOARD REMOVAL

1. Remove and keep two dashboard fasteners.

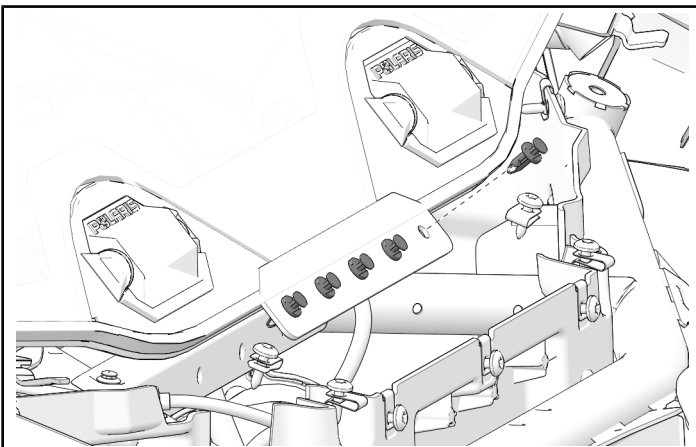


2. Pull panel rearward to remove.

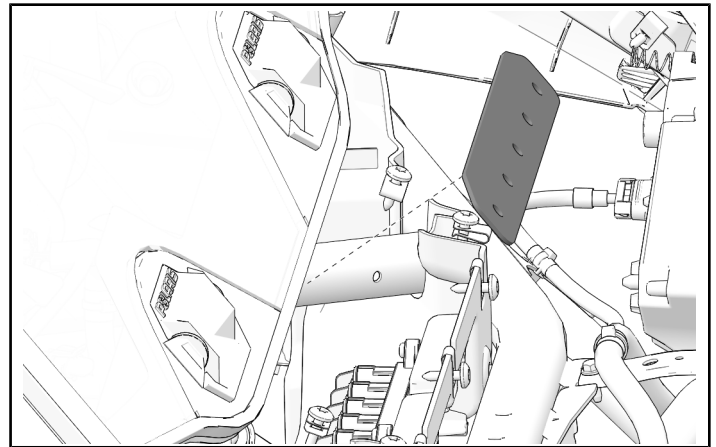


GLASS WINDSHIELD REMOVAL

1. Remove push darts from retaining plate in windshield.



2. Remove retaining plate from windshield.



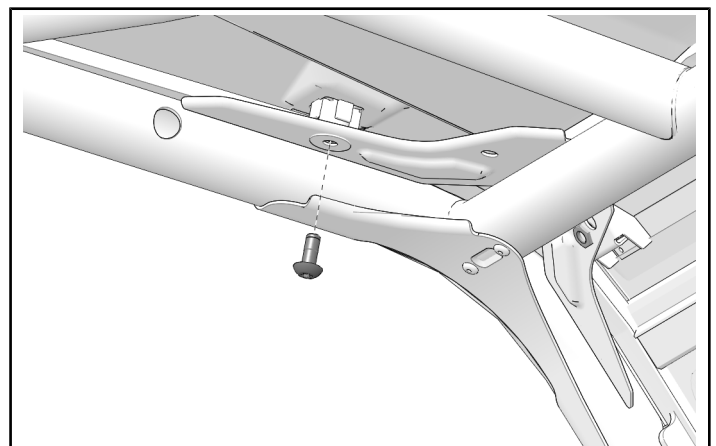
3. Remove one screw from each side as shown from roof.

NOTE

Aluminum roof shown, others similar.

NOTE

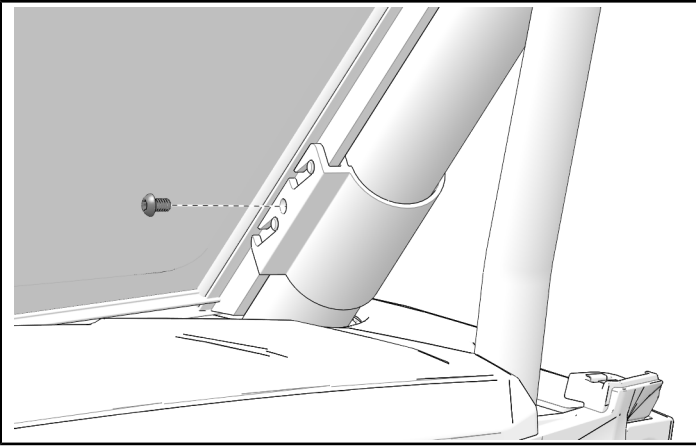
Left side shown, right side similar.



4. Remove locking screw from clamp on both left and right forward ROPS bars.

NOTE

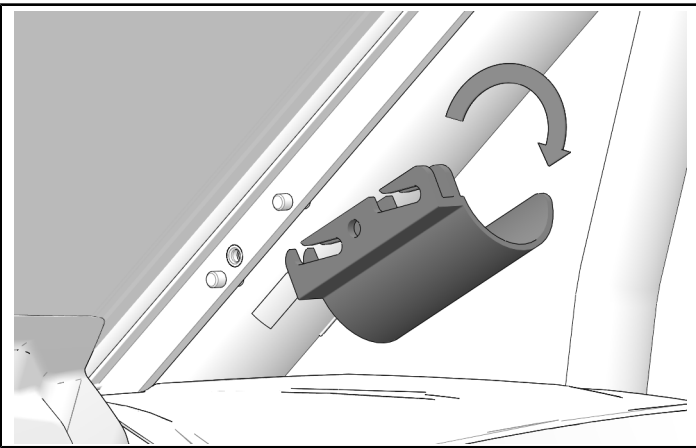
Left side shown, right side similar.



5. Use rubber mallet to remove side clamps on both left and right forward ROPS bars.

NOTE

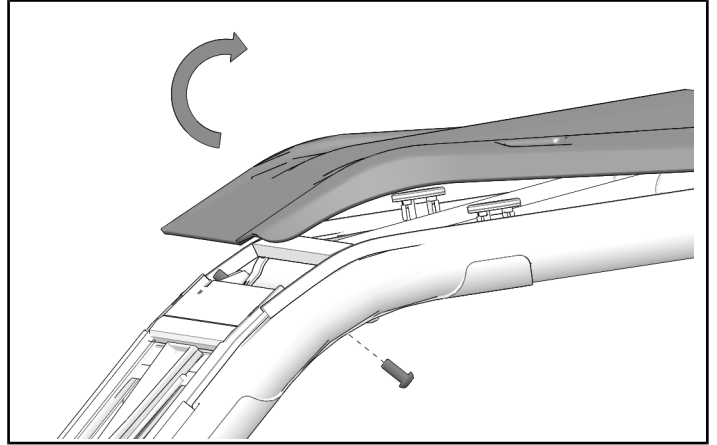
Left side shown, right side similar.



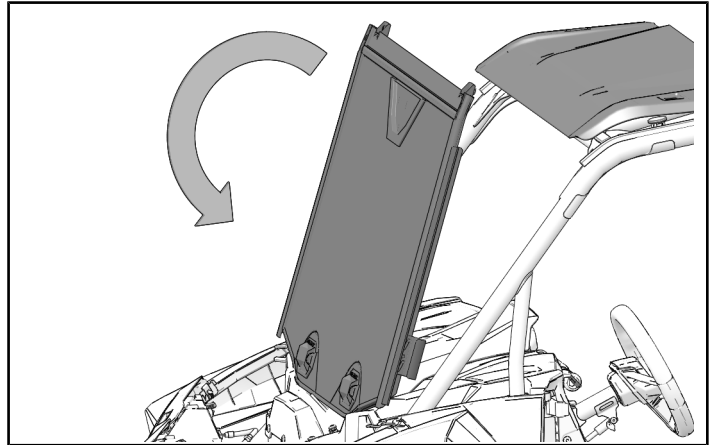
6. Lift front of roof and remove bolts from top of windshield.

NOTE

Left side shown, right side similar.



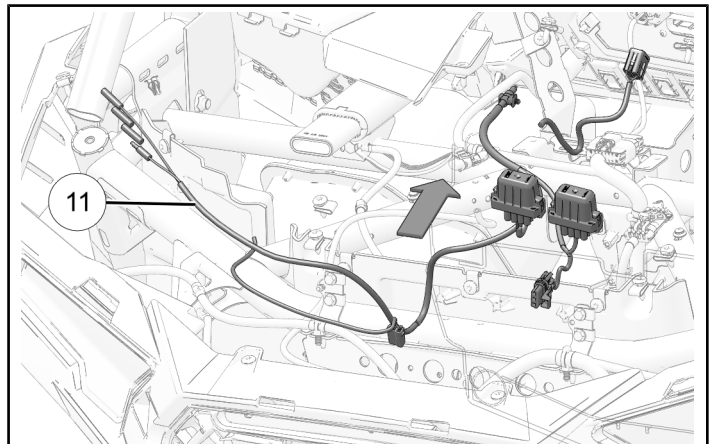
7. Lift front of roof and carefully tip windshiled out and clear it from vehicle. Store in a safe location.



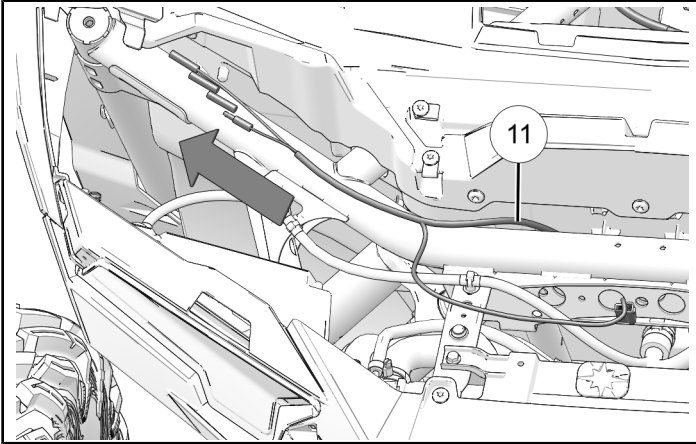
ACCESSORY INSTALLATION

WIRING HARNESS INSTALLATION

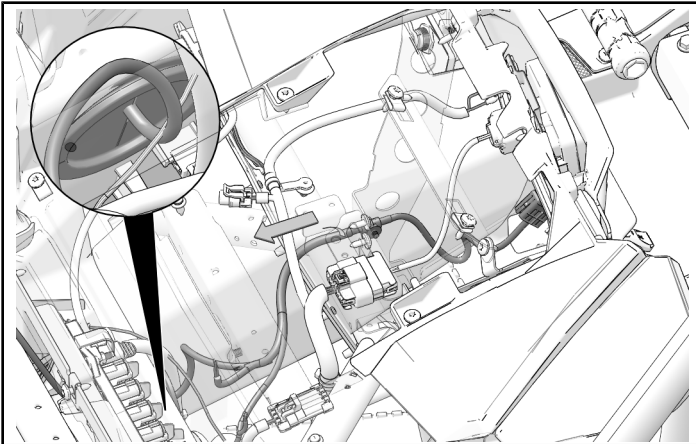
1. Place main wiring harness ⑪ in vehicle.



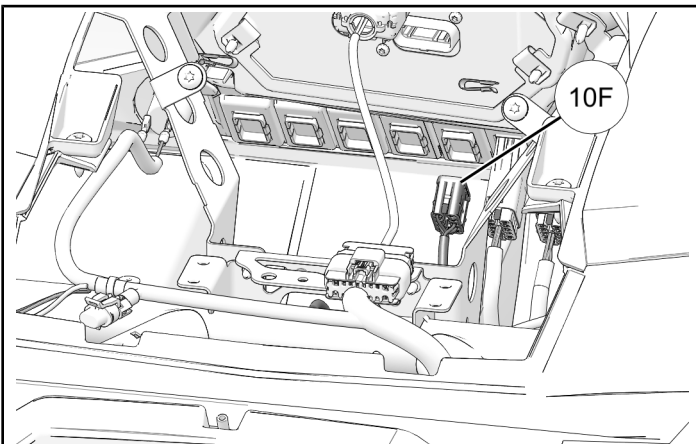
2. Route four bullet connectors of main harness ⑪ towards hole in the bottom of the passenger-side A-pillar.



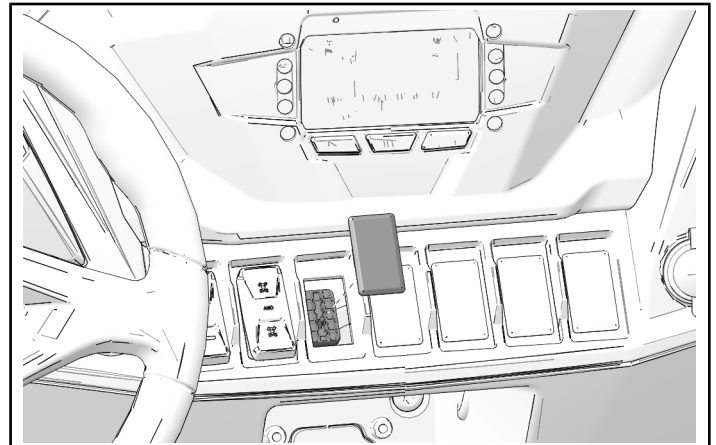
3. Route washer pump connector 2F through firewall grommet. Leave windshield switch ⑨ and fuse relays 10F (not shown) for later connection.



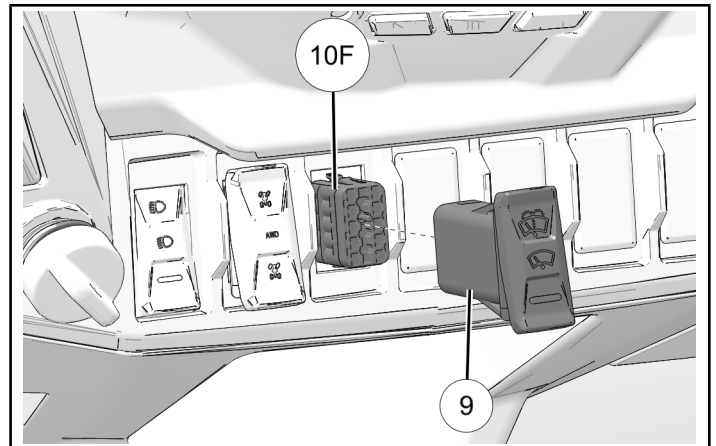
4. Place switch connector 10F near switch plate.



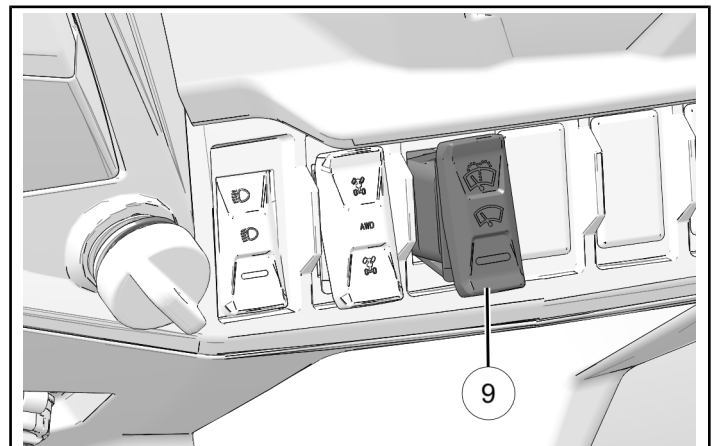
5. Remove and discard blank switch plate from dashboard.



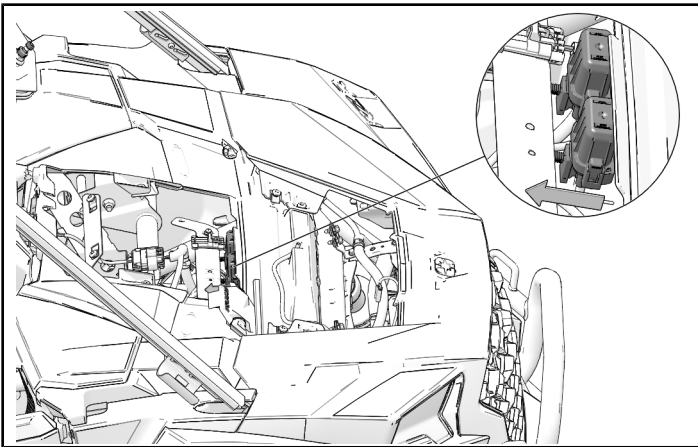
6. Slide connector 10F through dashboard and align to switch ⑨.



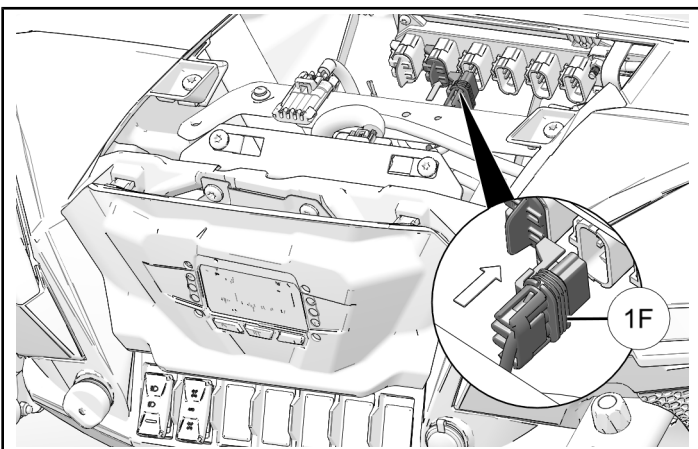
7. Connect switch ⑨ to harness connector 10F and snap into place on dashboard.



8. Install fuse relays to electrical mounting panel.

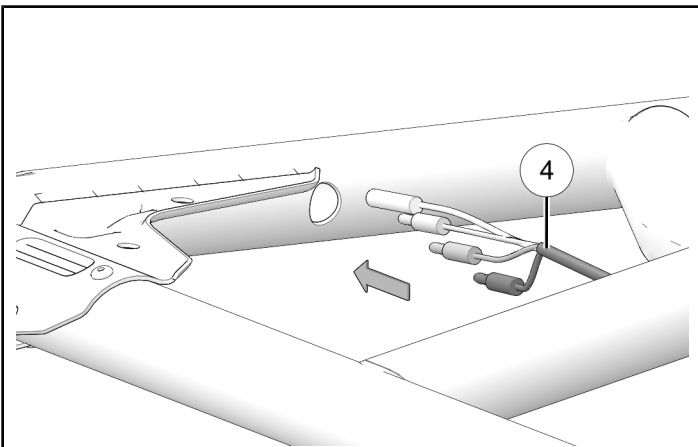


9. Remove cap from Polaris Pulse® bar and install power connector 1F.

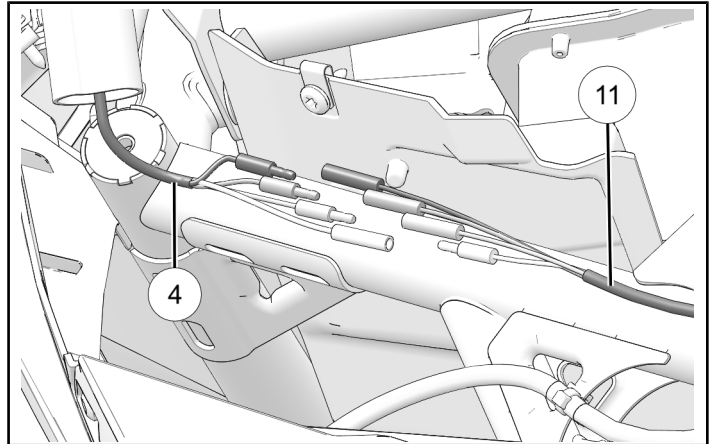


ROPS WIPER HARNESS INSTALLATION

1. Insert ROPS wiper harness ④ into circular opening in passenger-side ROPS frame and slide it down the frame towards the opening at the bottom.

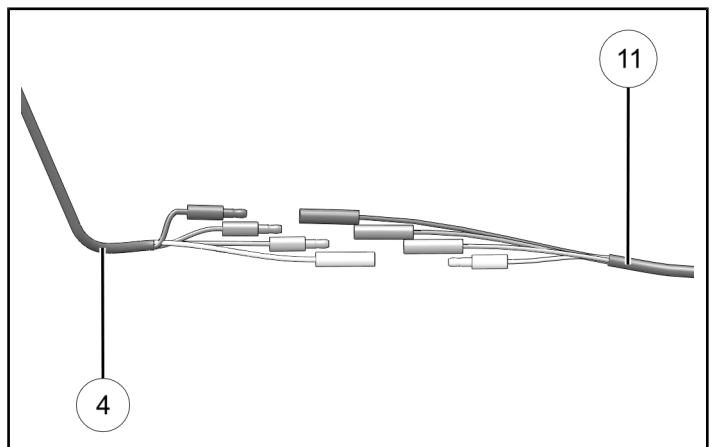


2. Pull ROPS wiper harness ④ from bottom of passenger-side ROPS frame and align connectors with main wiper harness connectors ⑪.



3. Connect ROPS wiper harness ④ to main wiper harness ⑪ as shown.

TIP
Match male and female wire colors.

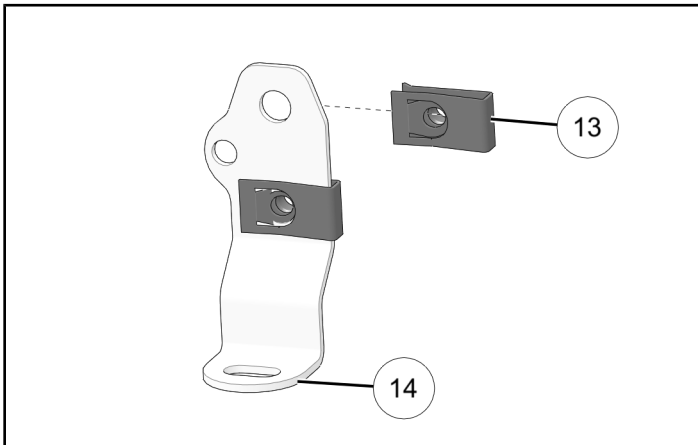


WASHER BOTTLE INSTALLATION

1. Attach two speed nuts ⑬ to two mounting brackets

NOTICE

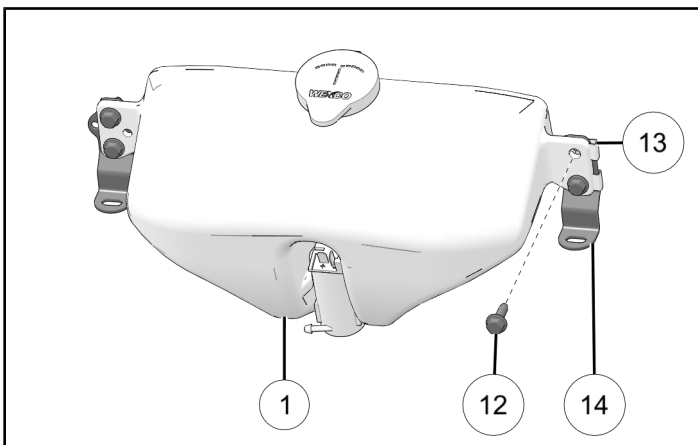
One bracket shown, other similar.



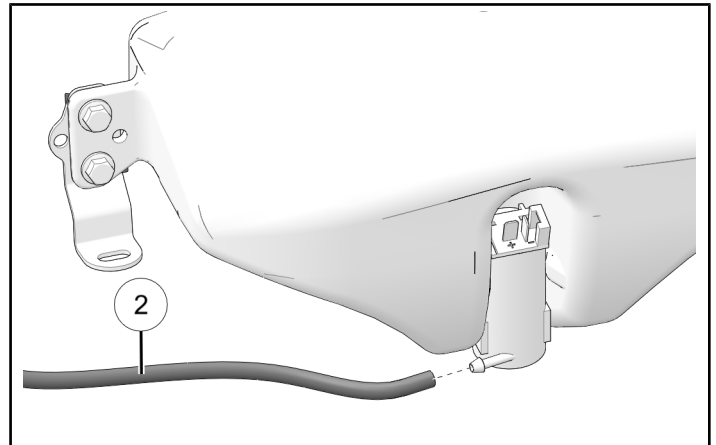
2. Install two brackets ⑭ to washer fluid bottle ① with four speed nuts ⑬ and four screws ⑫.

TORQUE

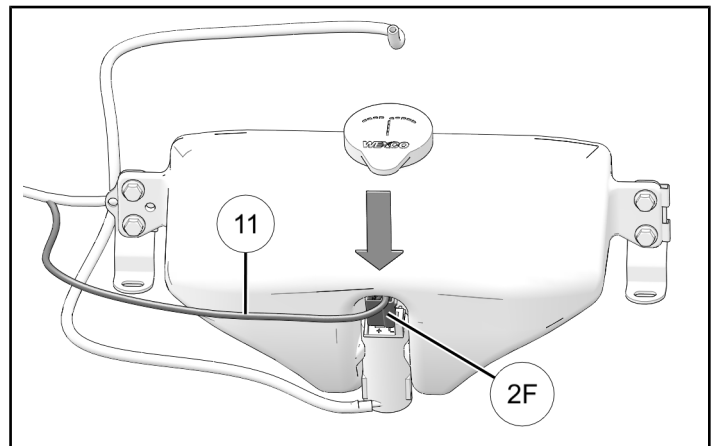
Screws ⑫:
27 in-lbs (3 nm N·m)



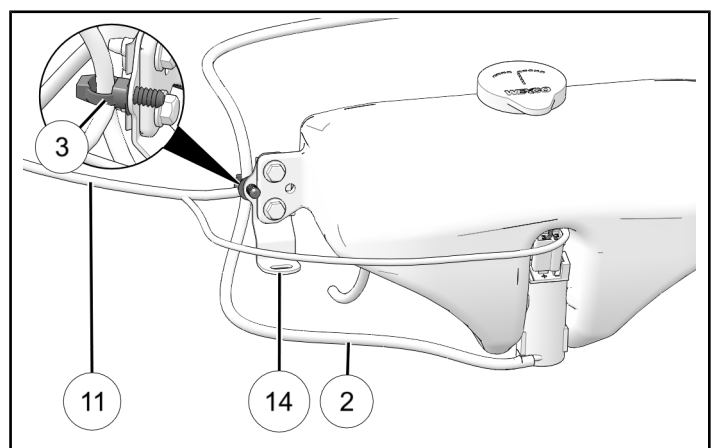
3. Install washer fluid hose ② to the bottom of the washer fluid pump.



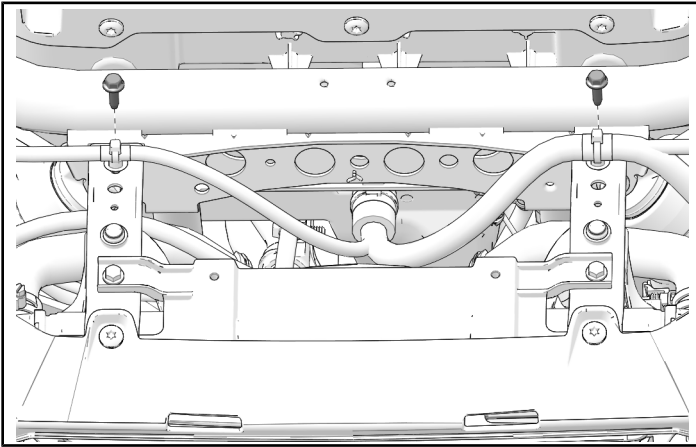
4. Connect main wiring harness ⑪ to washer fluid pump with connector 2F.



5. Attach clip tie ③ to mounting bracket ⑭, and route main wiring harness ⑪ and fluid hose ② through clip.



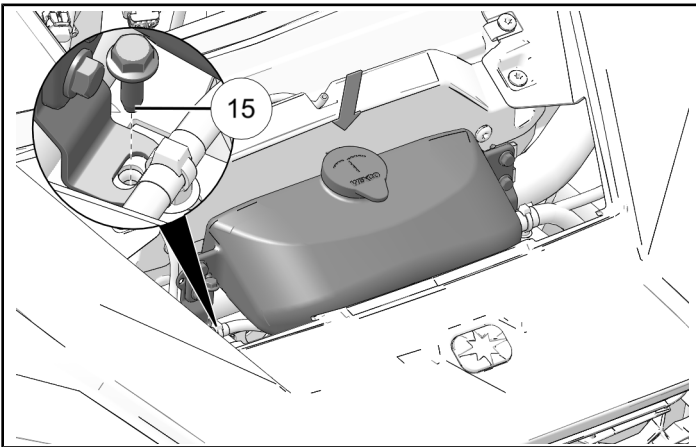
6. Remove two screws from chassis.



7. Install washer bottle assembly to chassis using two new screws 15.

TORQUE

Screw 15:
10 ft-lbs (14 N·m)



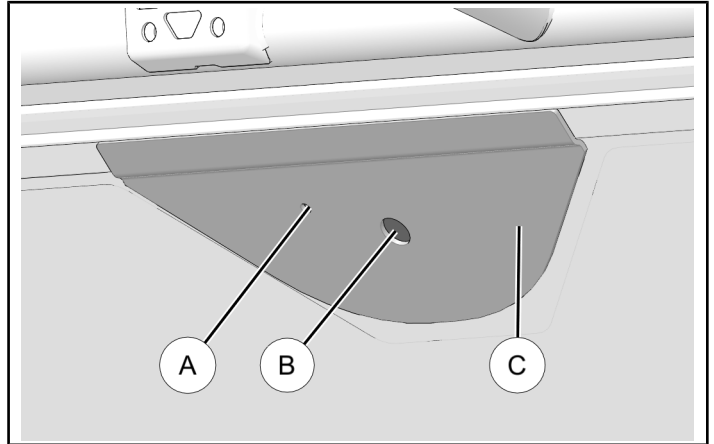
WIPER ASSEMBLY

1. Using windshield attach plate C as template, drill two holes through plastic trim.

ANTI ROTATION STUD (A)	WIPER MOTOR SHAFT (B)
(7 mm) 9/32	(19 mm) 3/4 in

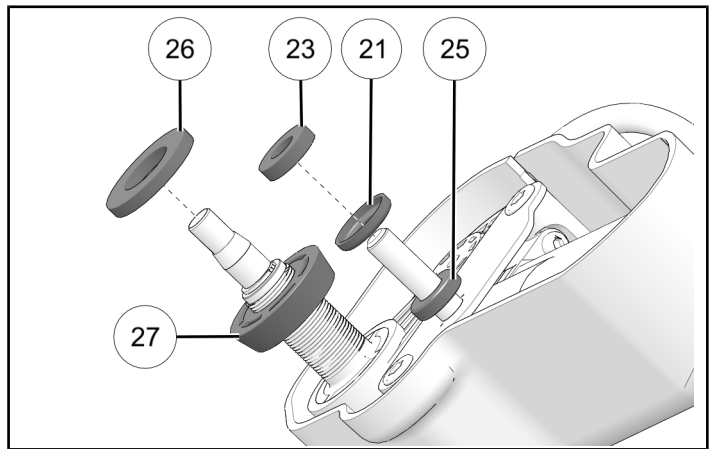
NOTE

Holes in metal attach plate are not enlarged. Drill only through plastic trim.

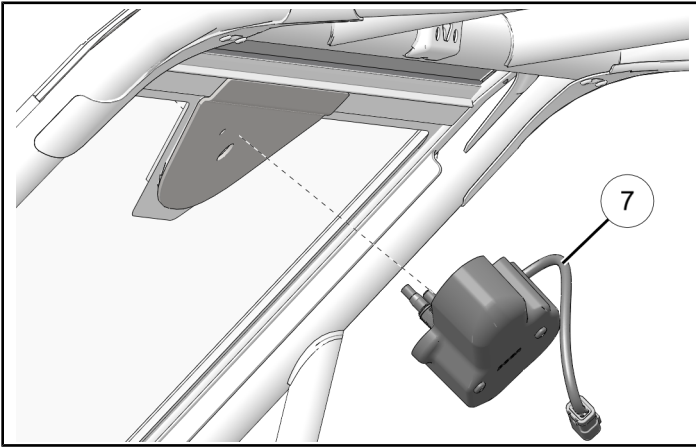


2. Slide the following hardware onto wiper arm shaft and arm stopper shaft:

WIPER ARM SHAFT	ARM STOPPER SHAFT
cupped washer 27	plastic washer 25
rubber washer 26	cupped washer 21
plastic washer 23	

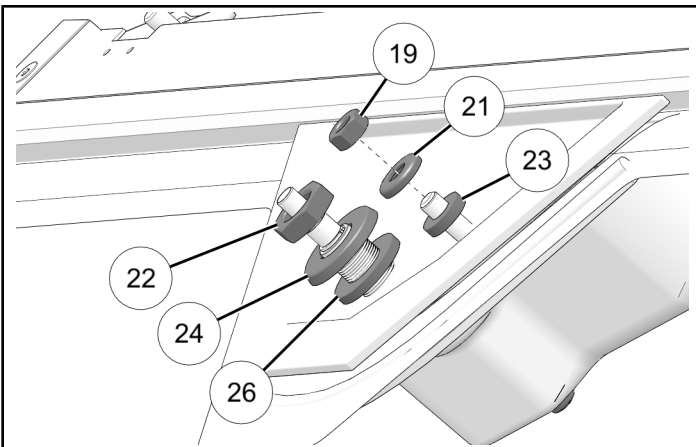


3. Install wiper motor ⑦ by sliding wiper arm shaft and arm stopper shaft through drilled holes.



4. Attach motor to windshield frame with the following hardware:

WIPER ARM SHAFT	ARM STOPPER SHAFT
rubber washer ⑳	rubber washer ㉓
cupped washer ㉔	cupped washer ㉑
nut ㉒	hex nut ㉙



5. Torque nuts to specifications.

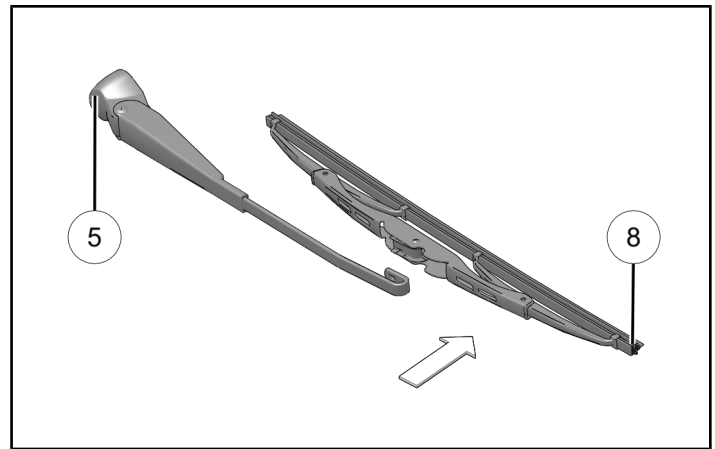
TORQUE

Nut ㉒:
27–35 in-lbs (3–4 N·m)

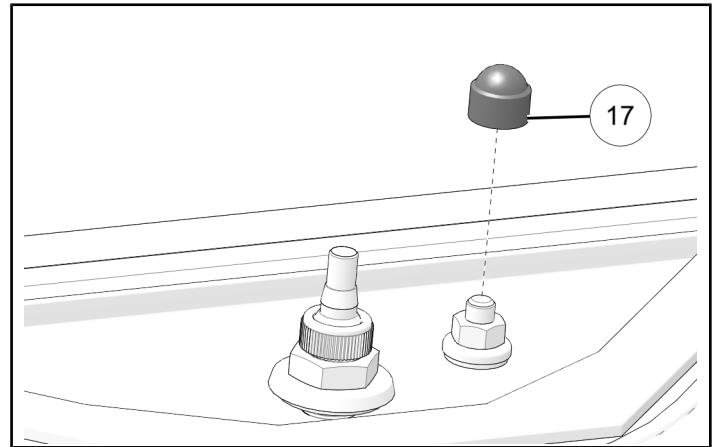
TORQUE

Hex Nut ㉙:
27–35 in-lbs (3–4 N·m)

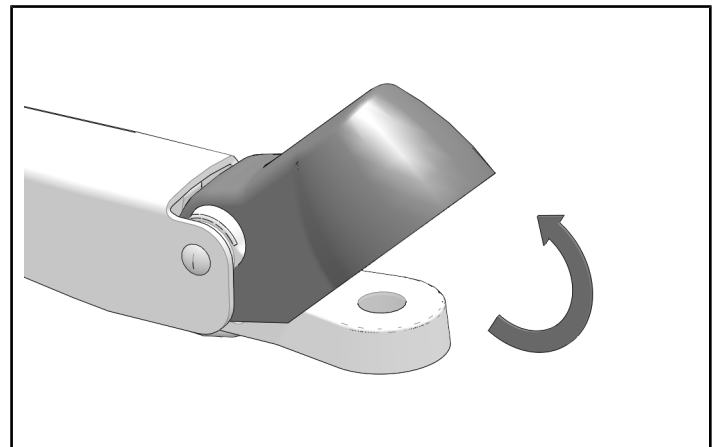
6. Put wiper arm ⑤ into wiper blade ⑧.



7. Put screw cap ⑰ on arm stopper shaft.



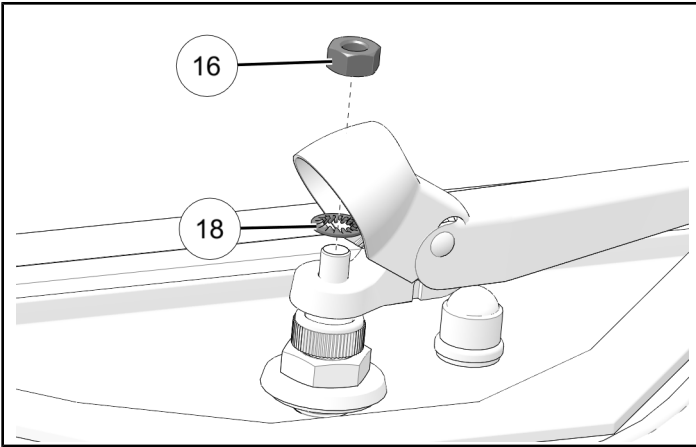
8. Lift wiper arm cap to reveal mounting bracket.



9. Install wiper arm onto wiper arm shaft with washer ⑱ and nut ⑰.

TORQUE

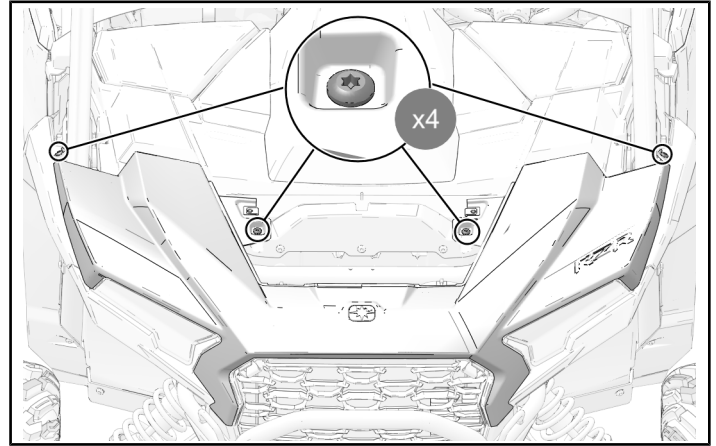
Nut ⑰:
14.8–16.2 ft-lbs (20–22 N·m)



2. Install outer hood fasteners with four retained fasteners. Torque the four fasteners to specification.

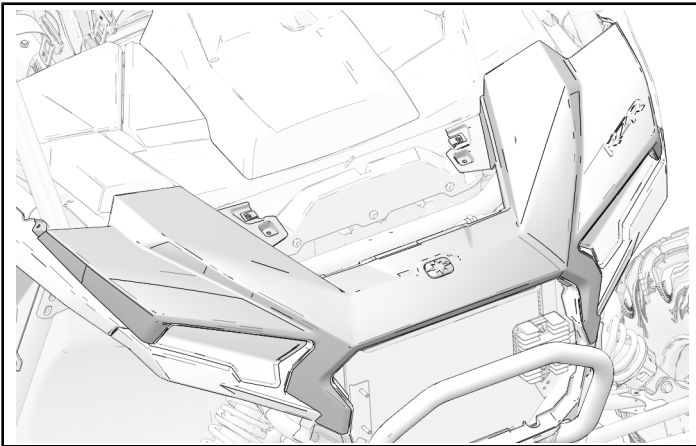
TORQUE

Outer Hood Fasteners
88 in-lbs (10 N·m)



OUTER HOOD INSTALLATION

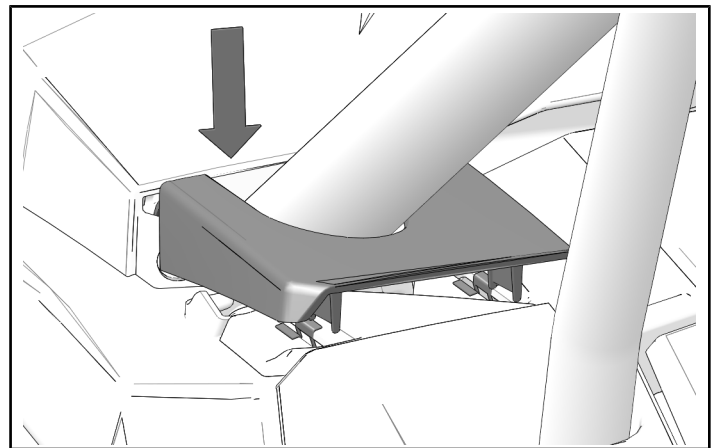
1. Put outer hood on vehicle in installed position.



3. Place front pocket fender around ROPS bar and into outer hood slots.

NOTE

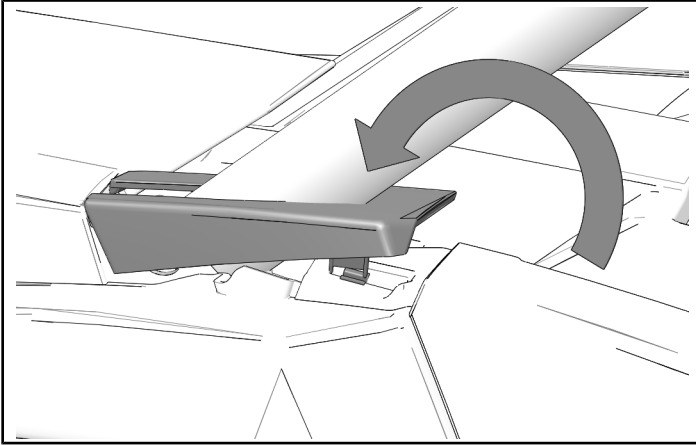
Left side shown, right side similar.



4. Gently push tab into clips until front pocket fender is secure.

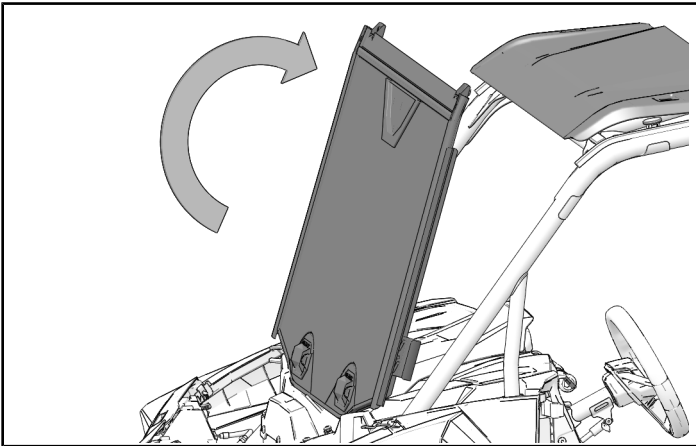
NOTE

Left side shown, right side similar.



WINDSHIELD INSTALLATION

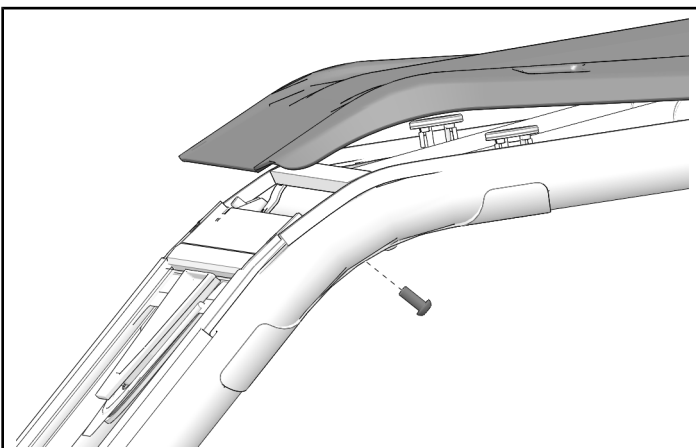
1. Lift front of roof and carefully tip windshield under roof and on to ROPS frame.



2. Lower roof into place and tighten bolts on top of windshield.

NOTE

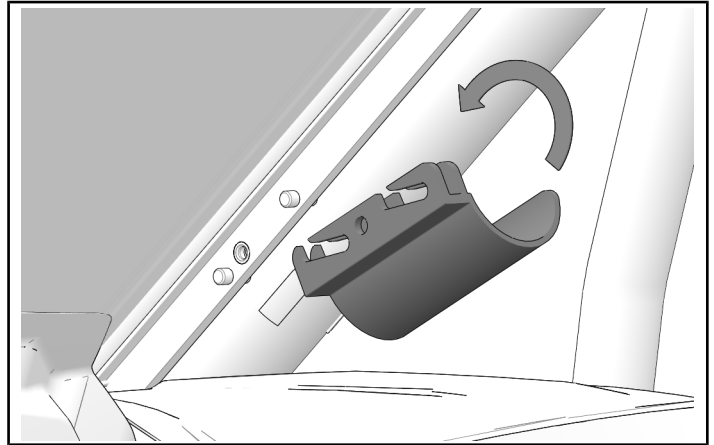
Left side shown, right side similar.



3. Attach side clamps on both left and right forward ROPS bars and use rubber mallet to secure it in place.

NOTE

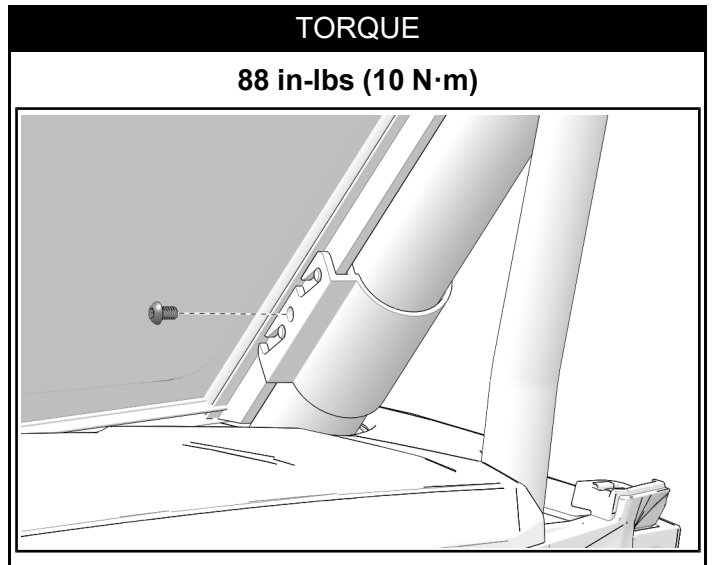
Left side shown, right side similar.



4. Tighten locking screw in side clamps on both left and right forward ROPS bars.

NOTE

Left side shown, right side similar.



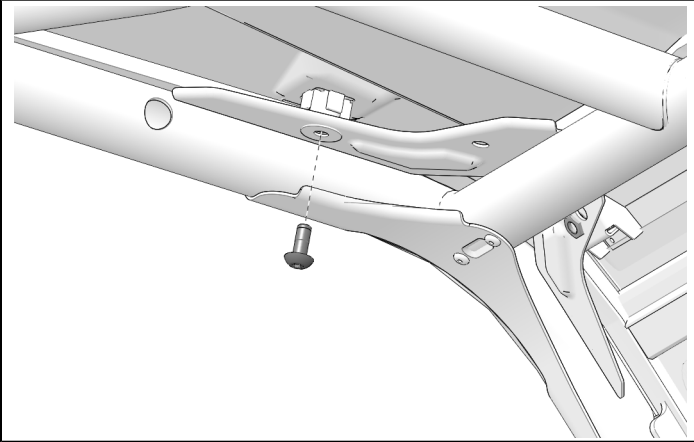
5. Attach two screws as shown to secure roof.

NOTE

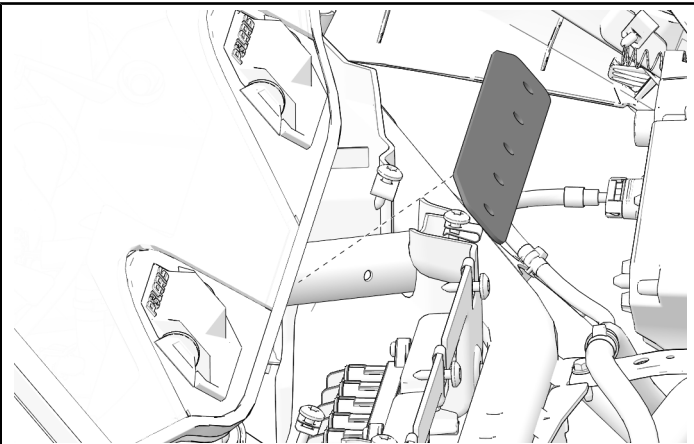
Left side shown, right side similar.

TORQUE

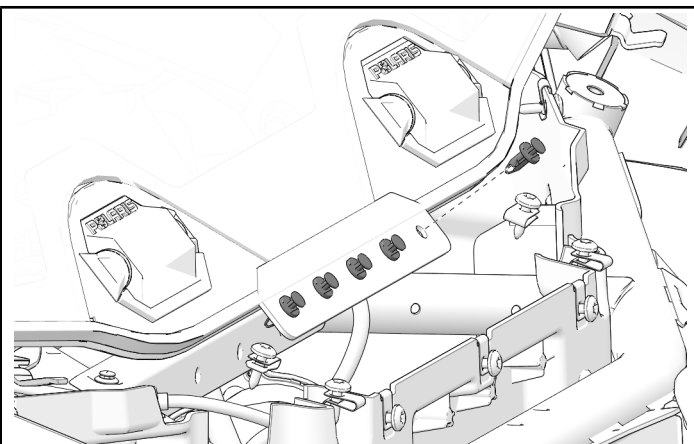
14.75 ft-lbs (20 N·m)



6. Attach retaining plate to windshield with push darts.

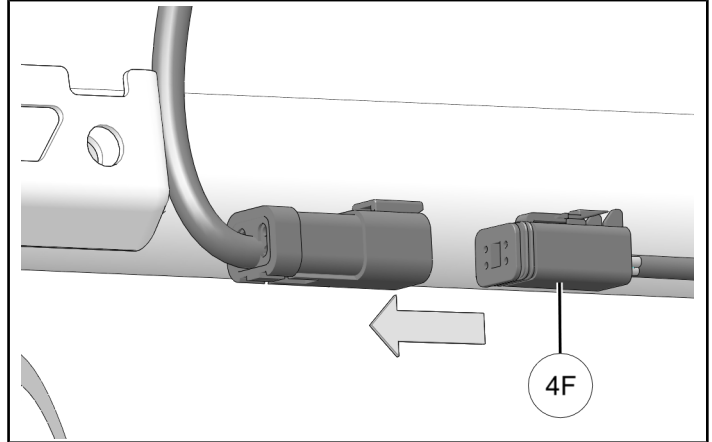


7. Attach push darts to retaining plate in windshield.

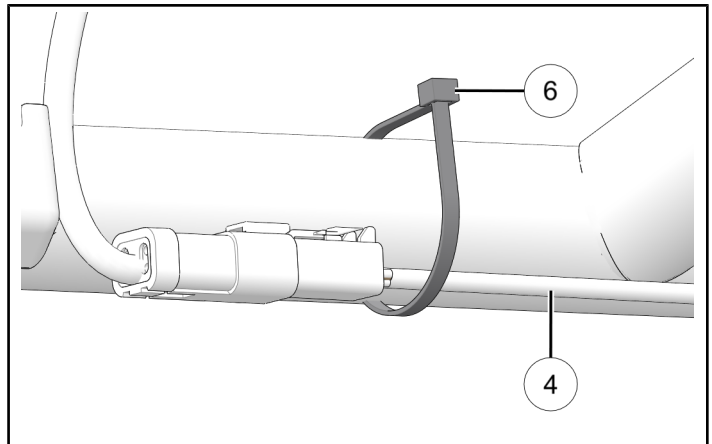


WIPER POWER CONNECTION

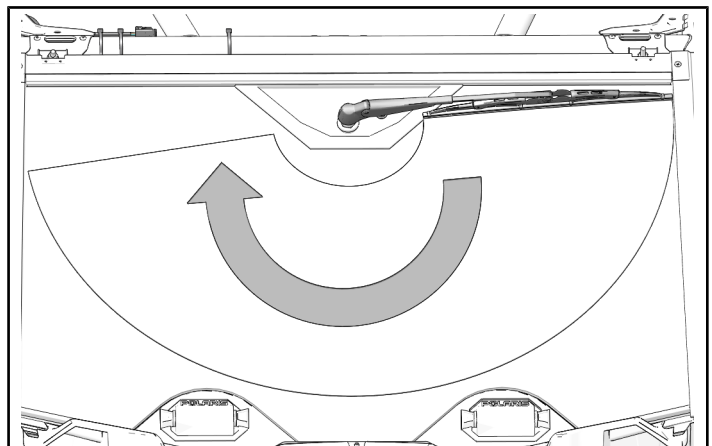
1. Connect wiper motor to ROPS wiper harness connector 4F.



2. Attach ROPS wiper harness ④ to ROPS with cable ties ⑥.

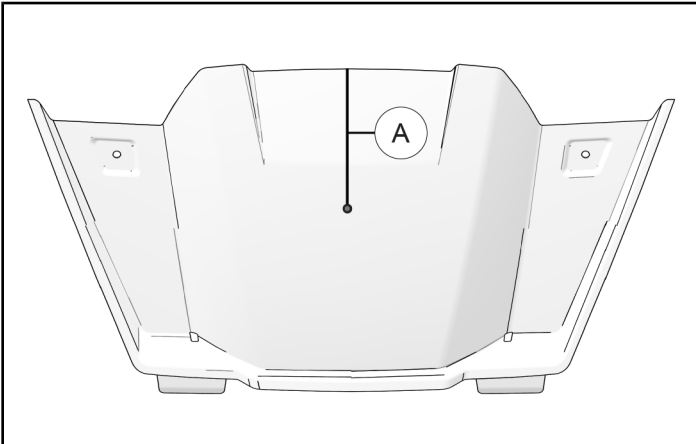


3. Turn on wiper and check movement. Wiper should move across windshield in the indicated direction.

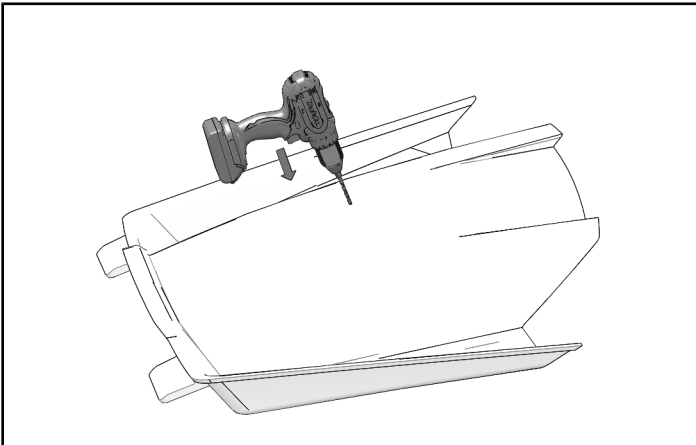


HOOD PREPARATION

1. Measure 5 in (127 mm) forward and centered on the rear edge and centered on hood and mark accordingly.



2. Drill $\frac{21}{64}$ in (8.5 mm) hole in position marked on hood.

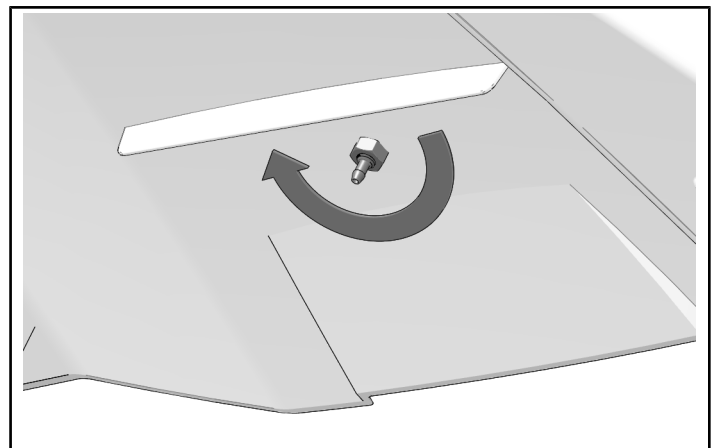
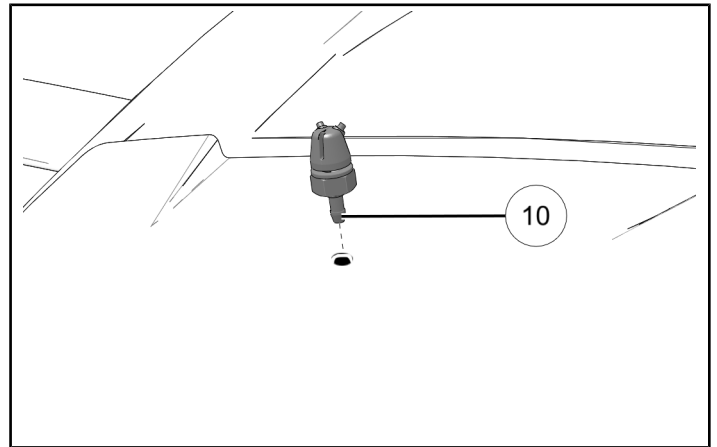


NOZZLE INSTALLATION

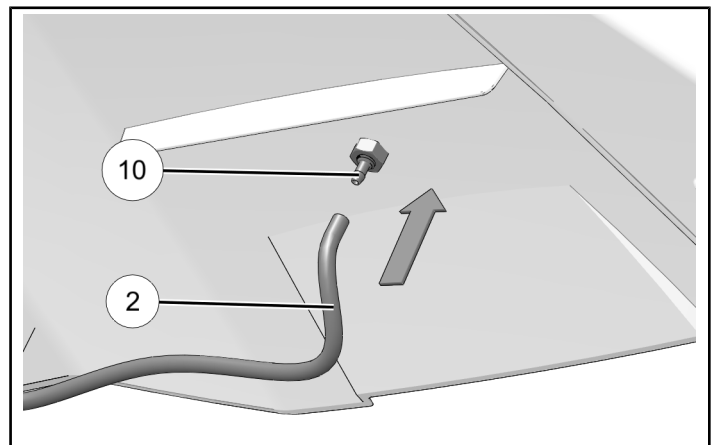
1. Place hood in position but do not install. Install nozzle ⑩ through hole in hood and tighten nut until fully seated.

NOTICE

Nut may need to be removed from nozzle prior to installation.



2. Connect wiper washer hose ② to wiper nozzle ⑩.



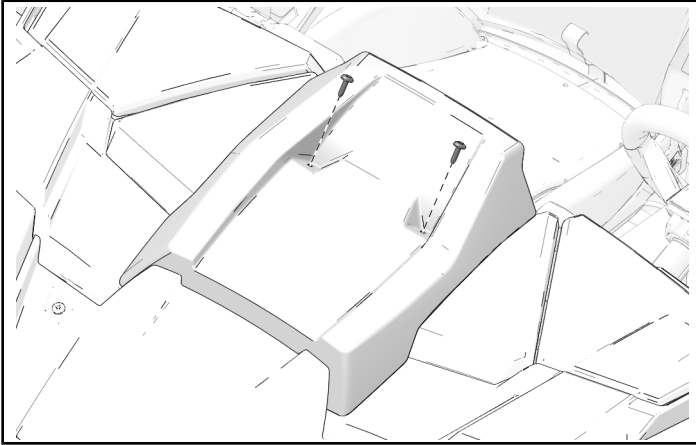
VEHICLE REASSEMBLY

DASHBOARD CENTER INSTALLATION

1. Install center dashboard panel with two retained fasteners. Torque fasteners to specification.

TORQUE

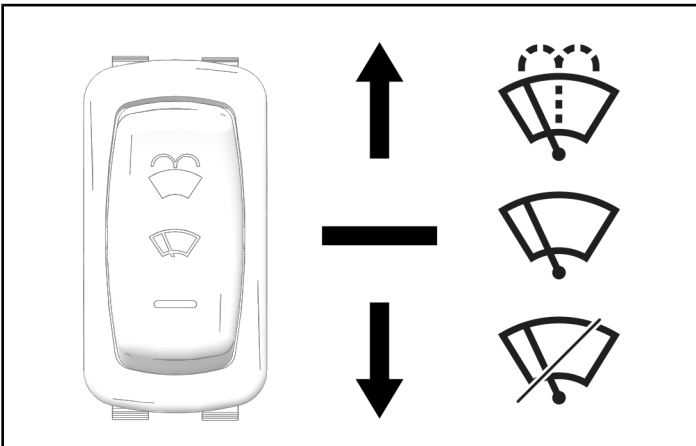
Dashboard Fasteners:
88 in-lbs (10 N·m)



OPERATION

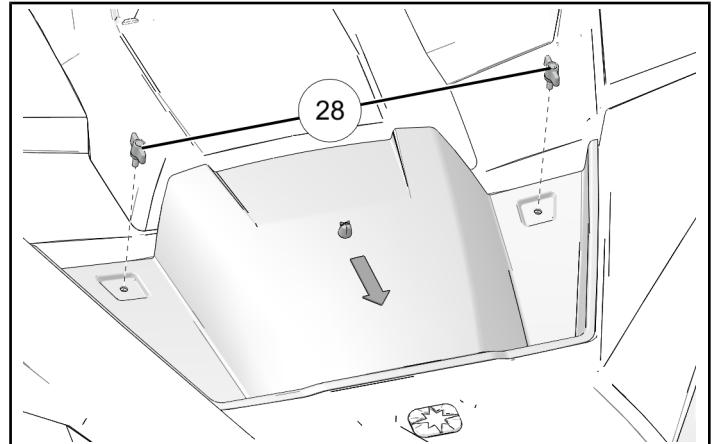
POWERING WINDSHIELD ON/OFF

Vehicle battery must be turned on for windshield wiper to function.



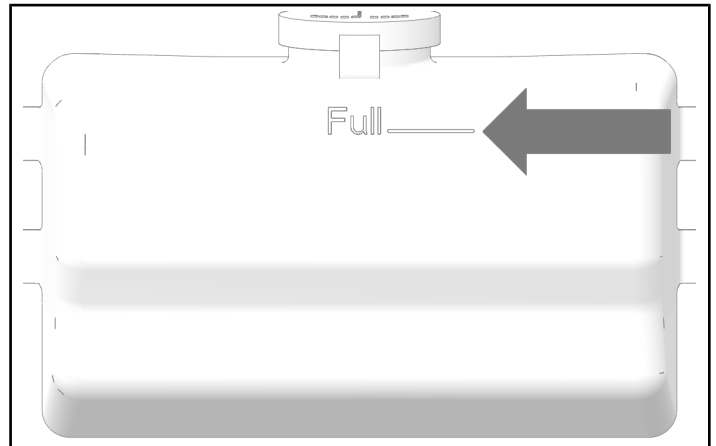
HOOD INSTALLATION

1. Move hood forward, into outer hood panel, and slide panel forward until tabs slide into front hood panel and install with two knobs 28.



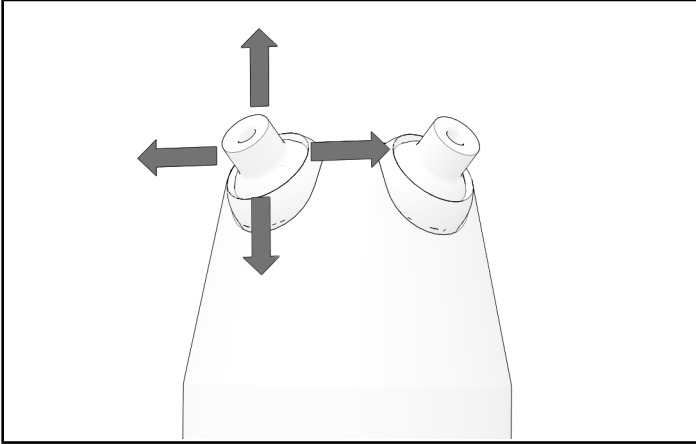
FILLING WASHER FLUID RESERVOIR

Fill reservoir to line marked "Full." Never fill past "Full" line.



NOZZLE ADJUSTMENT

Nozzle can be adjusted by pivoting nozzle opening within assembly.



INSTRUCTION FEEDBACK FORM

A feedback form has been created for the installer to provide any comments, questions or concerns about the installation instructions. The form is viewable on mobile devices by scanning the QR code or by clicking [HERE](#) if viewing on a PC.

