

RIDE COMMAND® MOUNT KIT



P/N 2884584

BEFORE YOU BEGIN

Read these instructions and check to be sure all parts and tools are accounted for. Please retain these installation instructions for future reference and parts ordering information.

APPLICATION

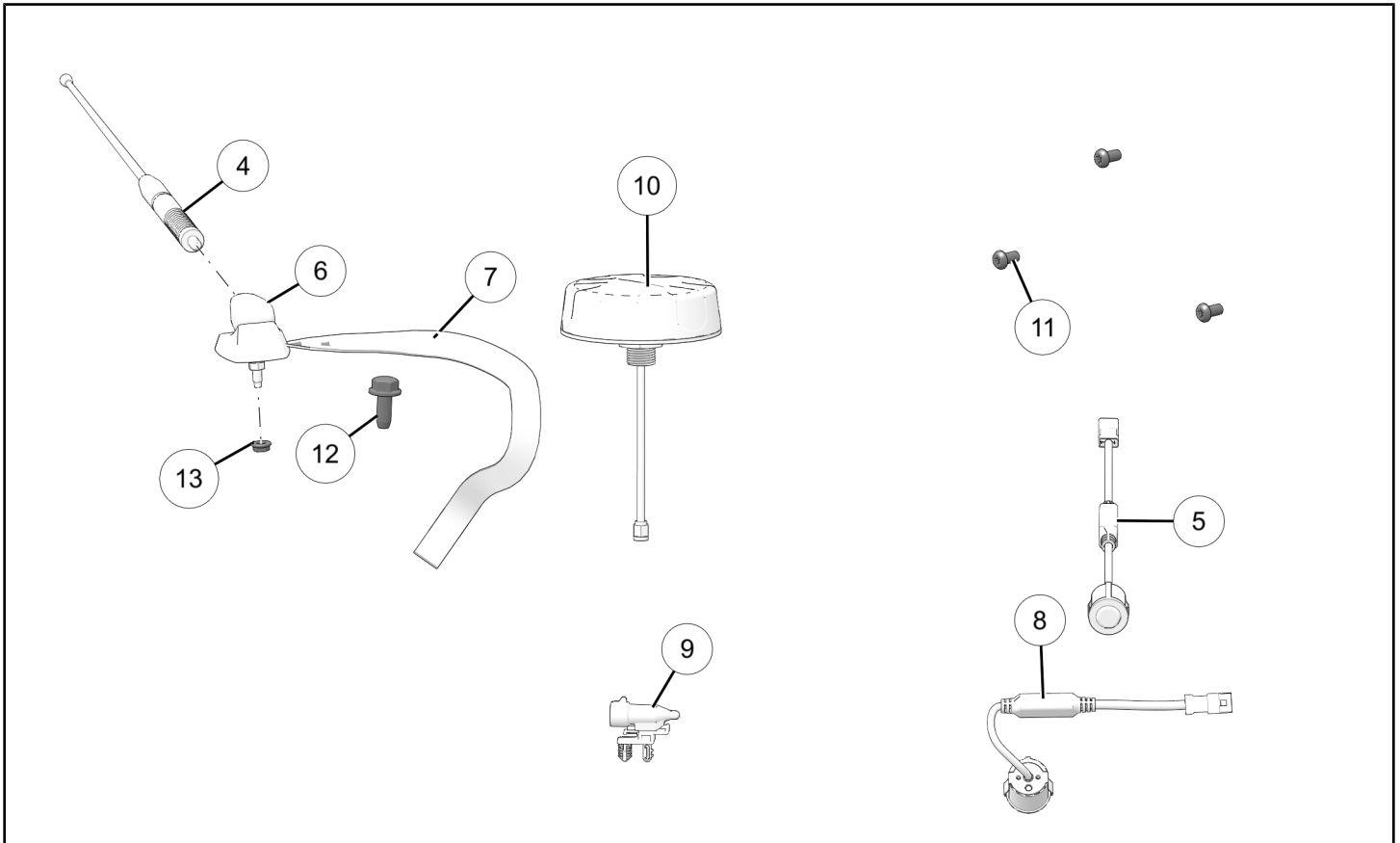
Verify accessory fitment at www.polaris.com.

REQUIRED SOLD SEPARATELY

Only parts for installation of the Ride Command® Mount Kit are included. For complete installation, the following additional kits are required (sold separately):

- *Ride Command® Display*, (See dealer or website for compatible kit)
- *Base Audio Kit*, (See dealer or website for compatible kit)

KIT CONTENTS

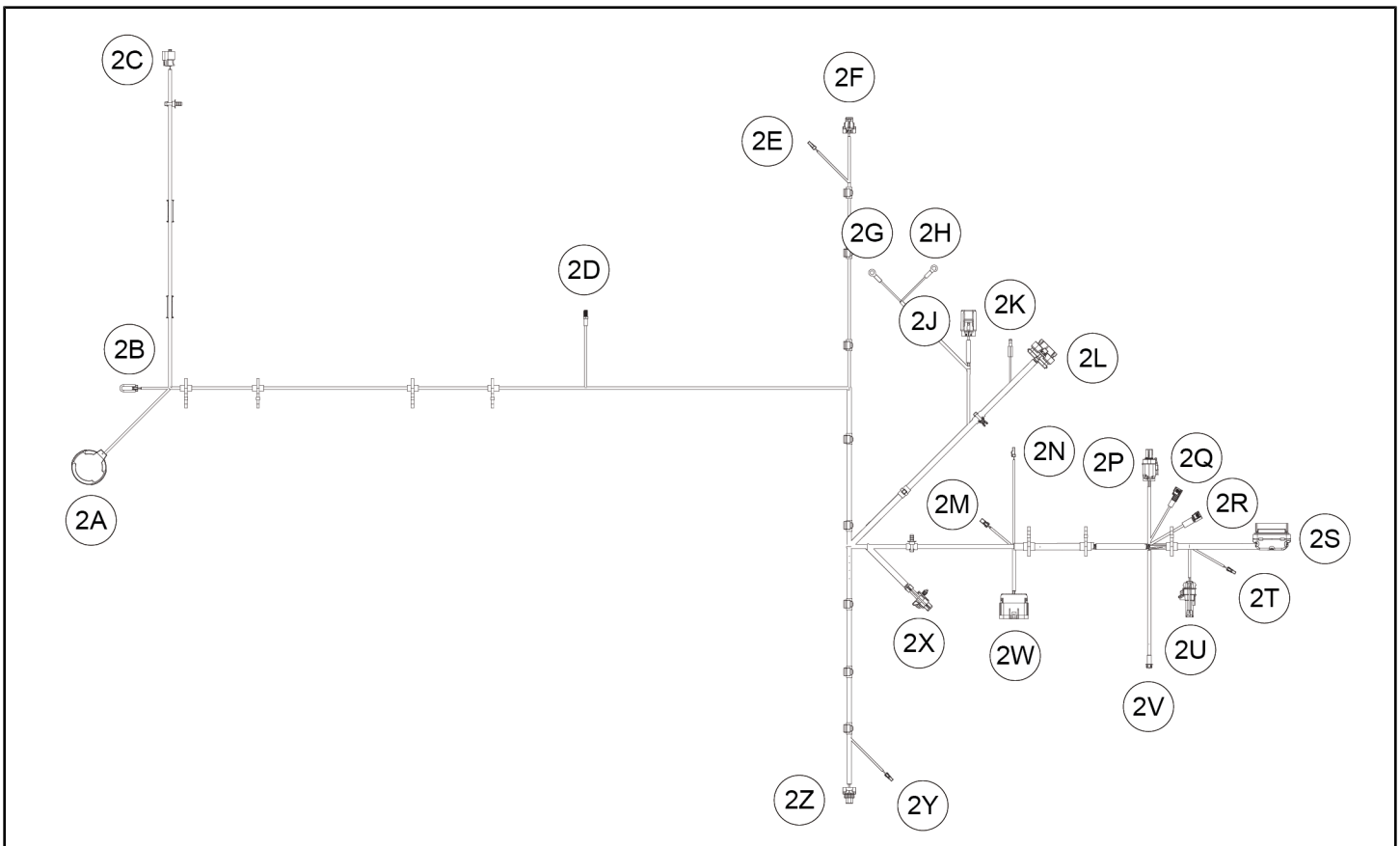


REF	QTY	PART DESCRIPTION	P/N AVAILABLE SEPARATELY
1	1	Harness–USB (not shown)	2414710
2	1	Harness–Ride Command® (see <i>Harness Detail</i> section)	2415312
3	1	Harness–AM/FM Antenna (not shown)	2415037

REF	QTY	PART DESCRIPTION	P/N AVAILABLE SEPARATELY
4	1	Antenna–Mast, AM/FM, Short	4014849
5	1	Camera–Front, Wide Angle	4016639
6	1	Mount–Antenna, 90°, Adjusting	4016695
7	1	Strap–Ground, Antenna, Braided	4016696
8	1	Camera–Rear	4017665
9	1	Sensor–Gauge, Air Temperature, Panel-Mount	4018205
10	1	Antenna, V2V	4018713
11	3	Screw–Torx® Button Head, M6 x 1.0 mm x 12 mm	7519063
12	1	Screw–Hex Flange, M8 x 1.25 mm x 20 mm	7520764
13	1	Nut–Hex Flange, M5 x 0.8 mm	7547437
14	2	Cable Tie (not shown)	n/a
15	1	Nut–Slip On (not shown)	n/a

HARNESS DETAIL

RIDE COMMAND® HARNESS ②



REF	PART DESCRIPTION	PIN QTY/ GENDER	CONNECTS TO
2A	Antenna–GPS	—	Vehicle Structure
2B	Connector–Video, Camera	4 Pin/ Female	Front Camera ⑤
2C	Connector–Gauge Sensor, Air Temperature	2 Pin/ Female	Air Temperature Sensor ⑨
2D	Connector–Coaxial	—	Vehicle-to-Vehicle Antenna ⑩
2E	Connector–Speaker, Tweeter	2 Pin/ Female	Speaker, Tweeter, Right
2F	Connector–Speaker, Driver	2 Pin/ Female	Speaker, Driver, Right
2G	Ring Terminal–Ground	—	Ground Terminal, Polaris Pulse® bar
2H	Ring Terminal–Positive	—	Positive Terminal, Polaris Pulse® bar
2J	Fuse–Holder	—	Accessory Mounting Panel
2K	Bullet Connector–Amplifier (Labeled as “Ground Audio Amp Chassis”)	—	Amplifier Ground Bullet Connector
2L	Connector–Amplifier	23 Pin/ Female	Amplifier
2M	Connector–Steering Wheel Controls	6 Pin/ Female	Steering wheel controls not available
2N	Connector–Light, Interior, Left	2 Pin/ Female	Interior Light (if equipped)
2P	Connector–Display Unit, Ride Command®	16 Pin/ Female	Display Unit, Ride Command®
2Q	Connector–GPS (Blue)	—	Display Unit, Ride Command®
2R	Connector–V2V (Gold)	—	Display Unit, Ride Command®
2S	Connector–Display Unit, Ride Command®	32 Pin/ Female	Display Unit, Ride Command®
2T	Connector–Light, Interior, Right	—	Interior Light (if equipped)
2U	Connector–Audio, Subwoofer	2 Pin/ Female	Subwoofer (if equipped)
2V	LED–Panel Mount, 12V, Blue	—	Vehicle Structure
2W	Connector–Infotainment, Ride Command®	16 Pin/ Male	Chassis Harness
2X	Connector–Audio, Rear	4 Pin/ Male	Harness–Rear Audio (if equipped)
2Y	Connector–Speaker, Tweeter	2 Pin/ Female	Speaker, Tweeter, Left
2Z	Connector–Speaker, Driver	2 Pin/ Female	Speaker, Driver, Left

TOOLS REQUIRED

- Safety Glasses
- Drill
- Drill Bit:
 - 13/32 in (10.5 mm)
 - 15/64 in (6 mm)
 - 3/16 in (4.5 mm)
- Hole Saw:
 - 13/16 in
- Pliers, Push Pin Rivet
- Scissors
- Socket Set, Metric
- Socket Set, Torx® Bit
- Tape Measure
- Torque Wrench
- Wrench Set, Metric

IMPORTANT

Your Ride Command® Mount Kit is exclusively designed for your vehicle. Please read the installation instructions thoroughly before beginning. Installation is easier if the vehicle is clean and free of debris. For your safety, and to ensure a satisfactory installation, perform all installation steps correctly in the sequence shown.

INSTALLATION INSTRUCTIONS

VEHICLE PREPARATION

GENERAL

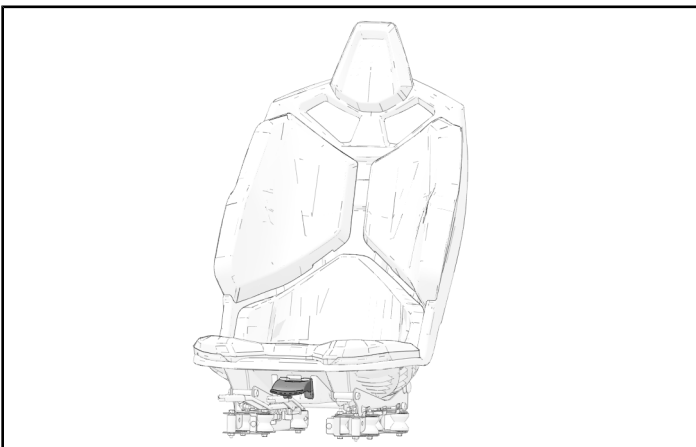
1. Shift vehicle transmission into PARK.
2. Turn key to OFF position and remove from vehicle.

FRONT SEAT REMOVAL

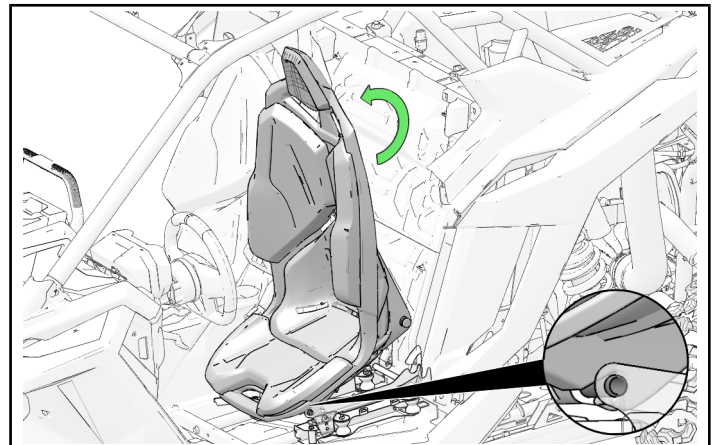
NOTICE

Driver seat shown; passenger seat similar.

1. Pull up on lever, located below front of seat.

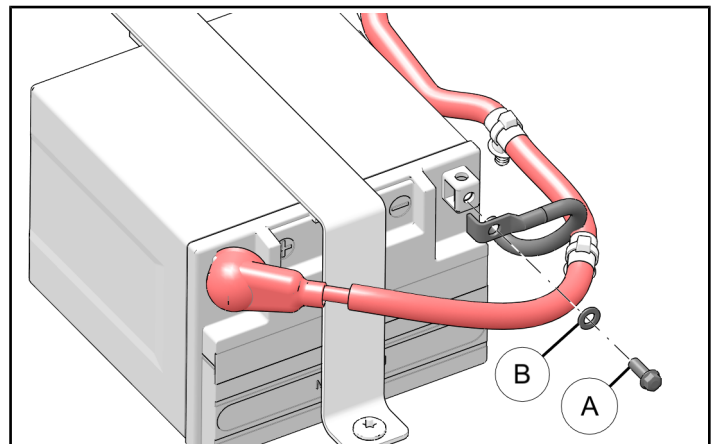


2. Tilt seat assembly forward and pull back slightly to disengage from receiver tube and remove seat from vehicle.



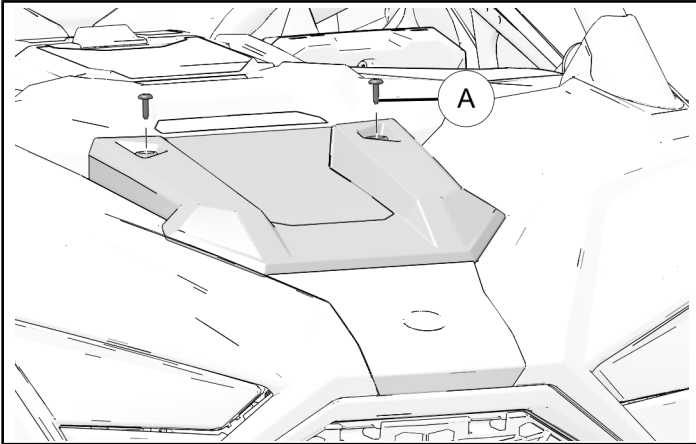
BATTERY DISCONNECT

1. Remove and retain battery terminal (A) and washer (B) to remove NEGATIVE battery cable.



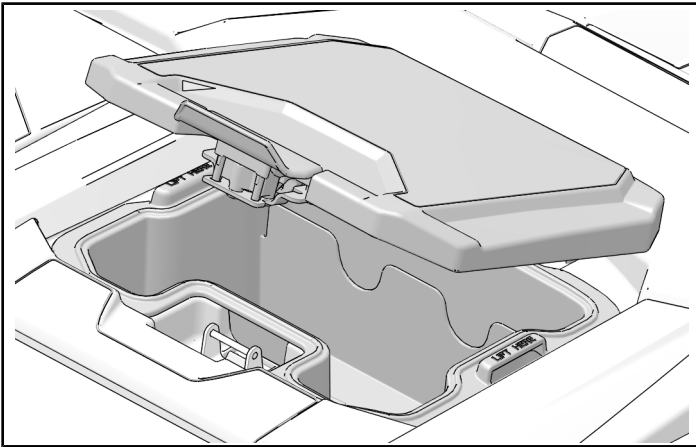
CENTER HOOD PANEL REMOVAL

1. Remove and retain two hood fasteners (A). Slide hood towards rear of vehicle to remove.



DASHBOARD STORAGE REMOVAL

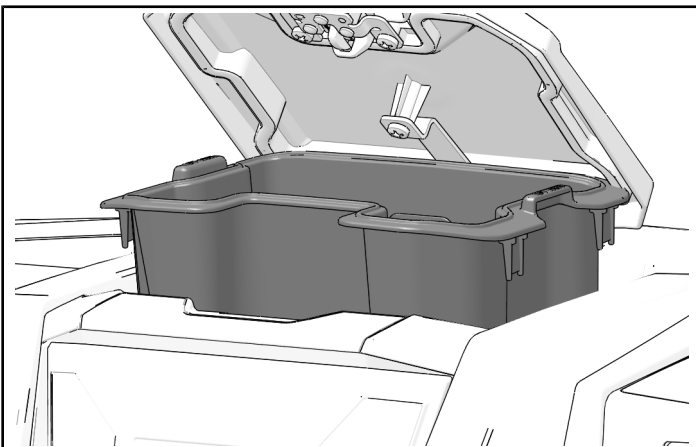
1. Open center dashboard storage compartment.



2. Remove storage compartment from dashboard.

TIP

If removing storage compartment is difficult, carefully use tool to pry storage compartment upwards where marked "LIFT HERE."

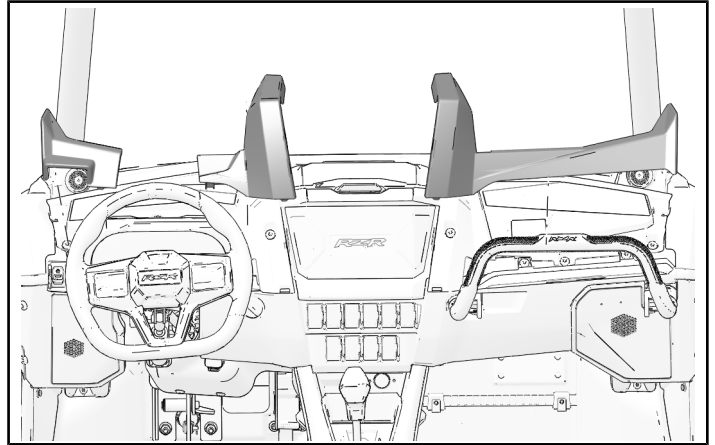


DASHBOARD TOP REMOVAL

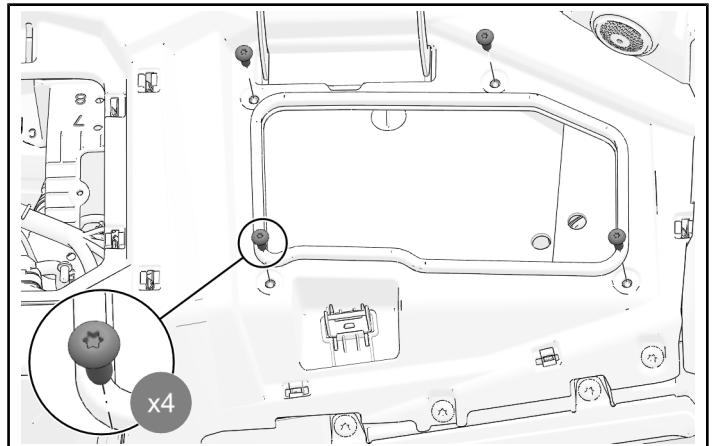
1. Carefully pull up to remove left, center, and right dashboard trim pieces.

TIP

Release steering tilt lock for improved access.



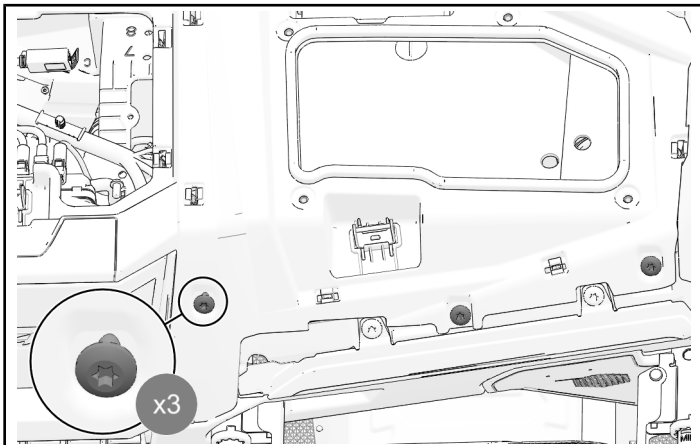
2. Open glove box lid. Remove and retain four dashboard fasteners around glove box opening.



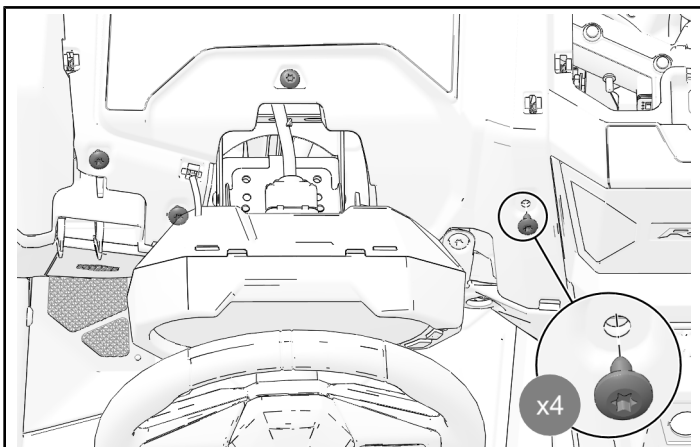
3. Remove and retain three front dashboard fasteners around glove box opening.

TIP

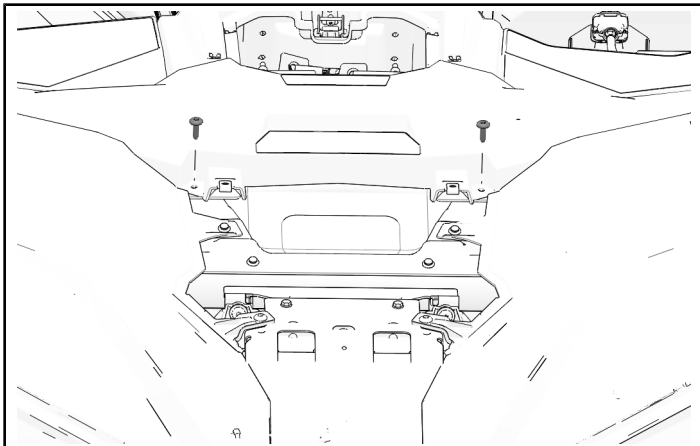
Make note of different screw sizes in steps 2 and 3.



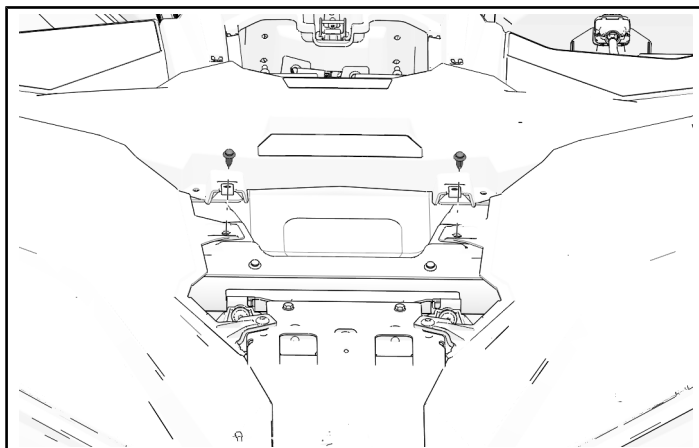
4. Tilt steering wheel down. Remove and retain four dashboard fasteners from dashboard surrounding steering wheel.



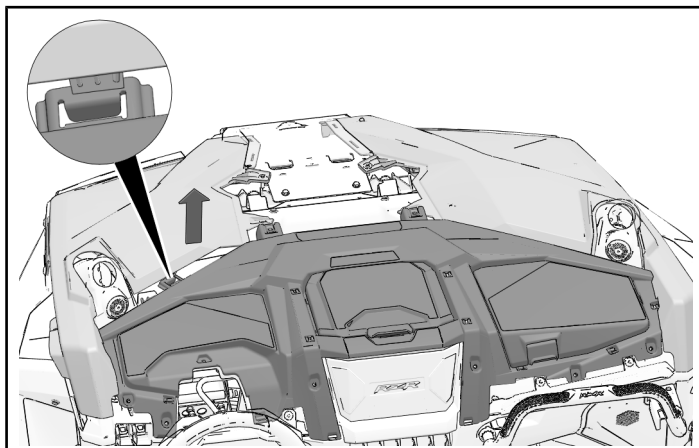
5. Remove and retain two dashboard fasteners from front of vehicle.



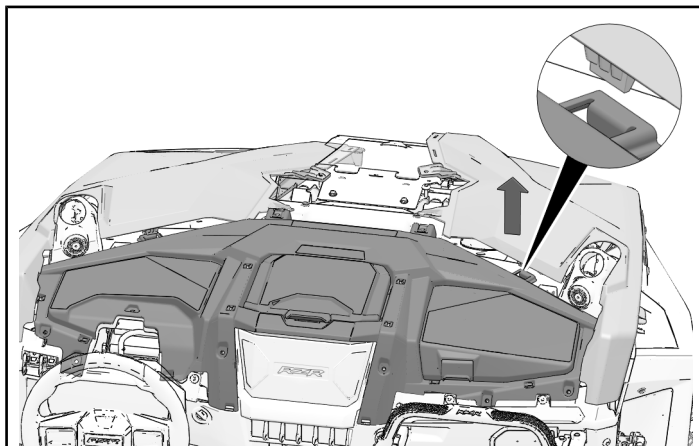
6. Remove and retain two push-pin rivets from front side hood panels.



7. Carefully lift edge of left front hood panel to release tab from dashboard top as shown.



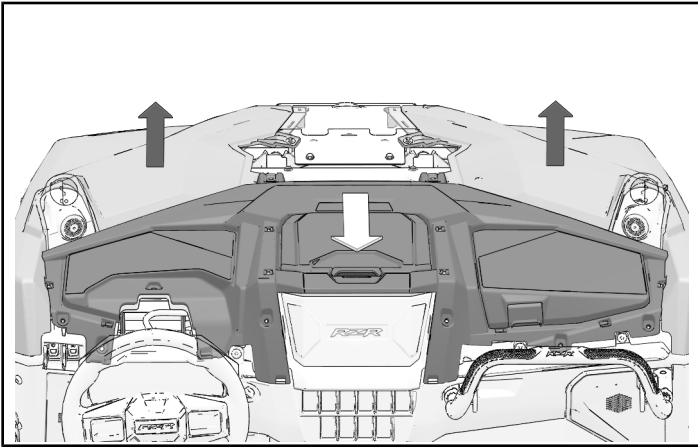
8. Carefully lift edge of right front hood panel to release tab from dashboard top as shown.



- Carefully keep panels up-and-away from tabs and remove dashboard top by tilting rear section up and pulling out toward rear.

TIP

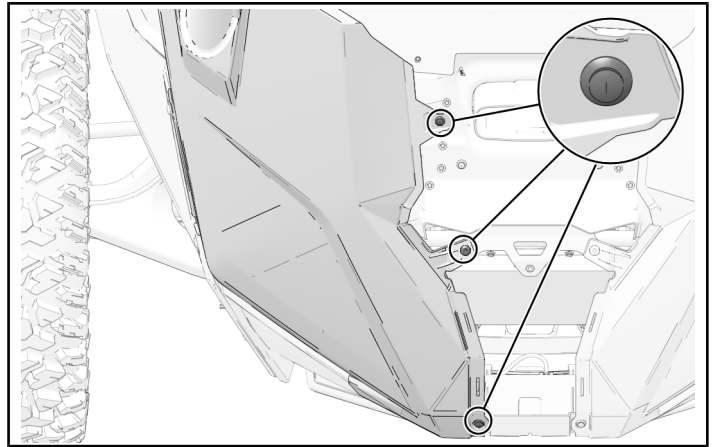
Two people are recommended to complete this step.



- Remove and keep these hood fasteners.

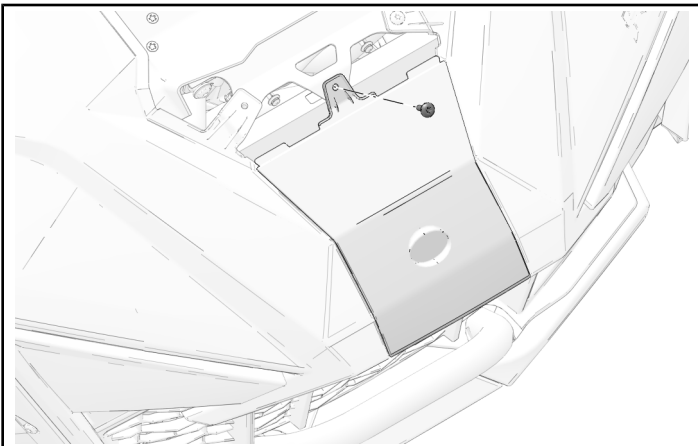
TIP

Note fastener installation locations. Fastener configuration may change depending on model and year.



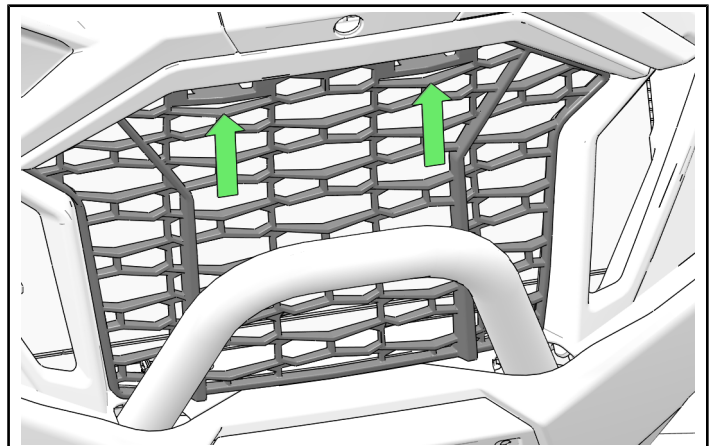
RIGHT-HAND HOOD DISASSEMBLY

- Remove and keep one fastener to remove front hood panel.

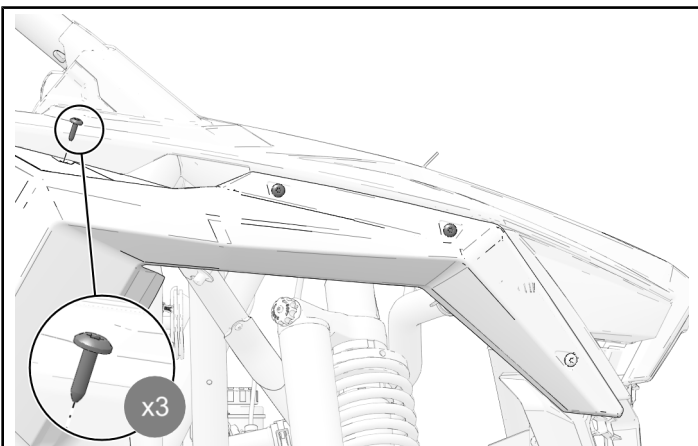


GRILLE REMOVAL

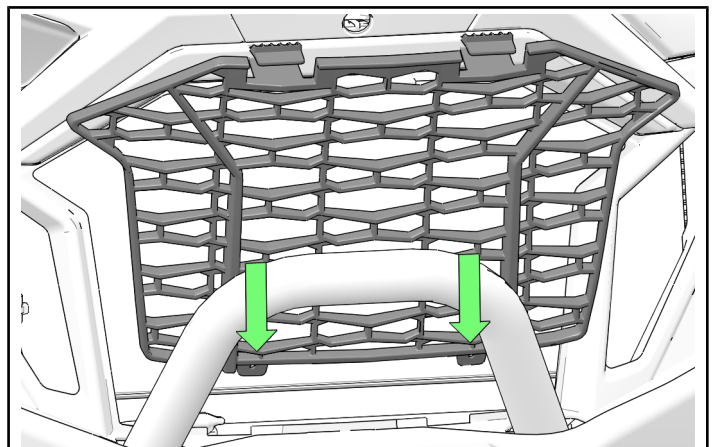
- Pull down on two tabs, located on top-edge of grille.



- Remove and keep three front fender fasteners.

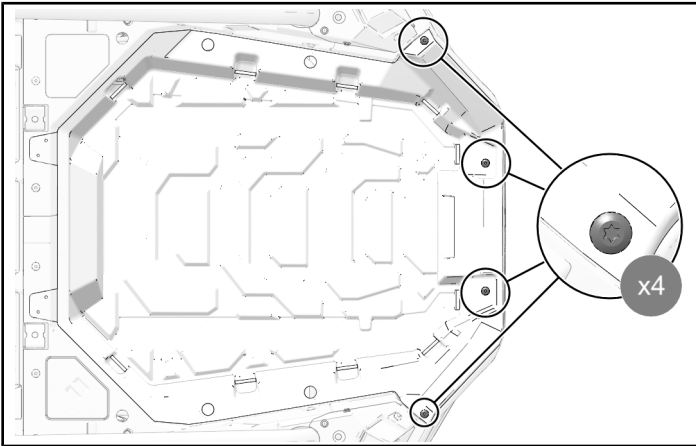


- Tip grille forward and pull out until bottom tabs are clear of front fascia and bull bumper.



CARGO BOX REMOVAL

1. Remove and retain four cargo box fasteners. Slide cargo box rearward to remove.



ACCESSORY INSTALLATION

ANTENNA INSTALLATION

HOOD PANEL PREPARATION

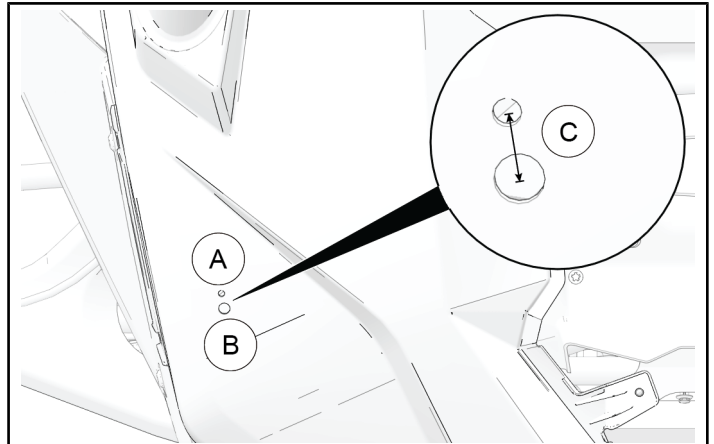
1. Mark two holes on top of right front fender for alignment pin and antenna mounting post.

NOTICE

Exact location is not critical. Make sure location allows ground strap to span distance of antenna base to chassis ground location (see step 4 of *Antenna Installation* section for ground strap location). If mast tilt functionality is desired, make sure location allows for tilt.

MEASUREMENT

Alignment Pin Measurement (A)	15/64 in (6 mm)
Antenna Mounting Post Measurement (B)	13/32 in (10.5 mm)
Distance Measurement (C)	9/16 in (14.5 mm)



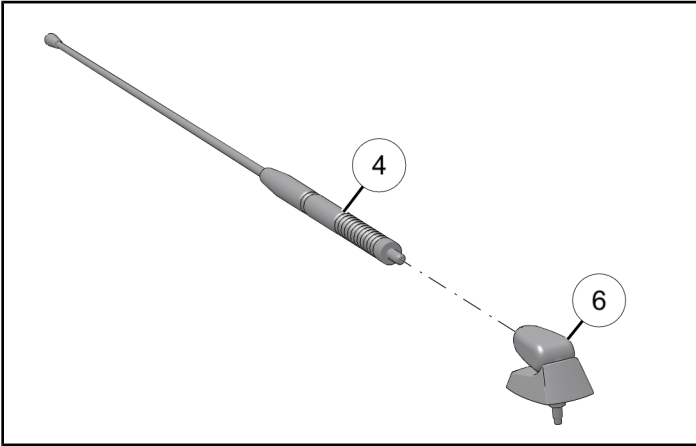
2. Drill at each marked location.

IMPORTANT

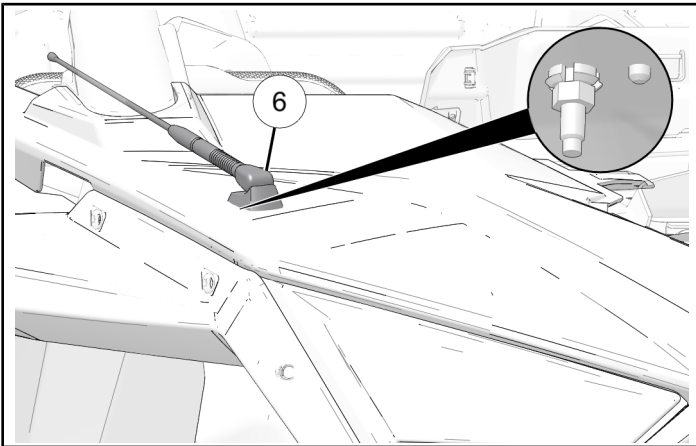
Control drill depth to prevent damage to underlying structure or components.

ANTENNA INSTALLATION

1. Install antenna mast ④ onto antenna mount ⑥.



2. Install antenna mount ⑥ in hood. Antenna mount will snap into place when fully seated.



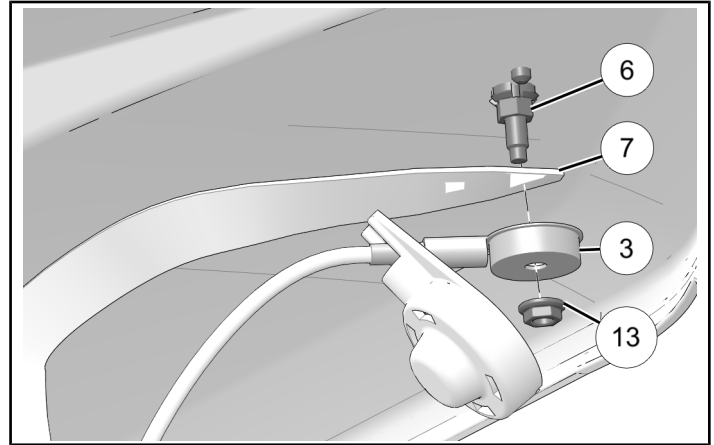
3. Put antenna mount post ⑥ through ground strap ⑦, antenna harness ③, and secure with one nut ⑬. Place harness boot over nut after torquing.

TORQUE

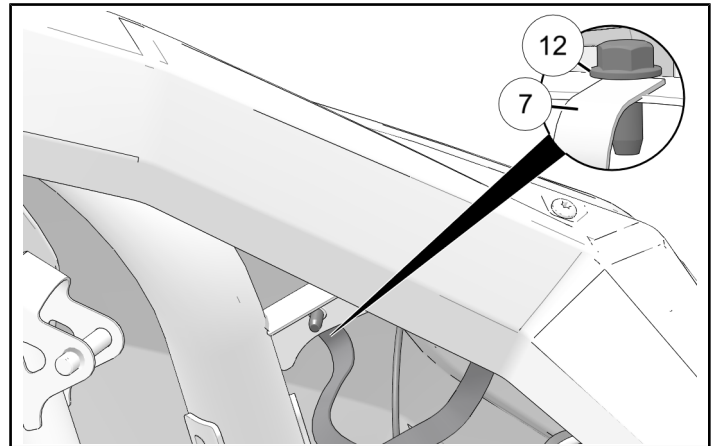
Antenna Nut ⑬:
89 in-lbs (10 N·m)

NOTICE

Vehicle body hidden for clarity.

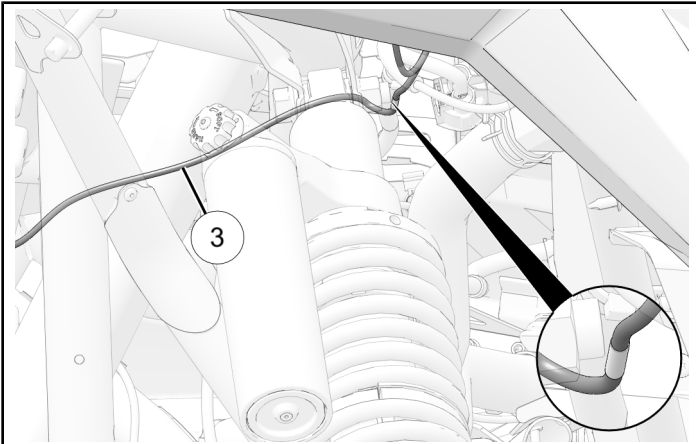


4. With harness sitting in front-right wheel well. Secure ground strap ⑦ to vehicle frame with one fastener ⑫.

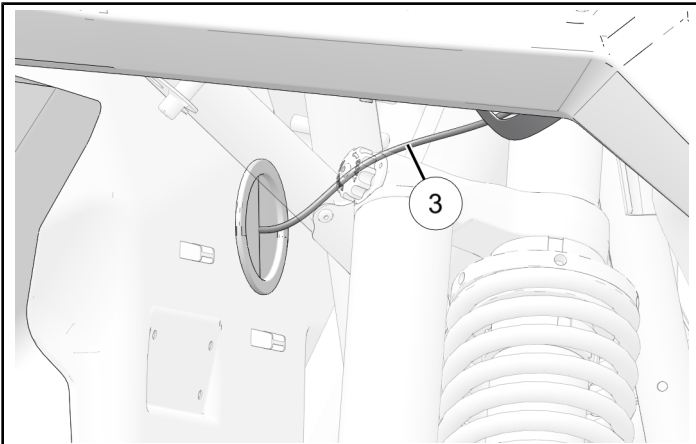


ANTENNA HARNESS ROUTING

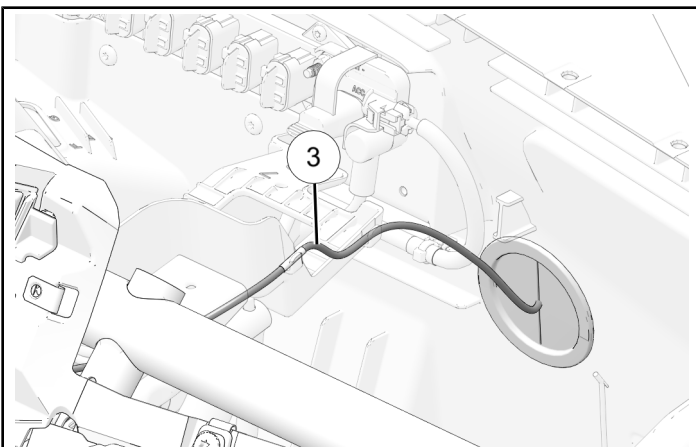
1. Begin routing antenna harness ③ towards firewall. Secure harness to electrical chassis harness with one cable tie ⑭ at taped location.



2. Pass harness ③ through grommet in firewall.



3. Route antenna harness ③ along accessory mounting panel. Secure in tabs along edge.

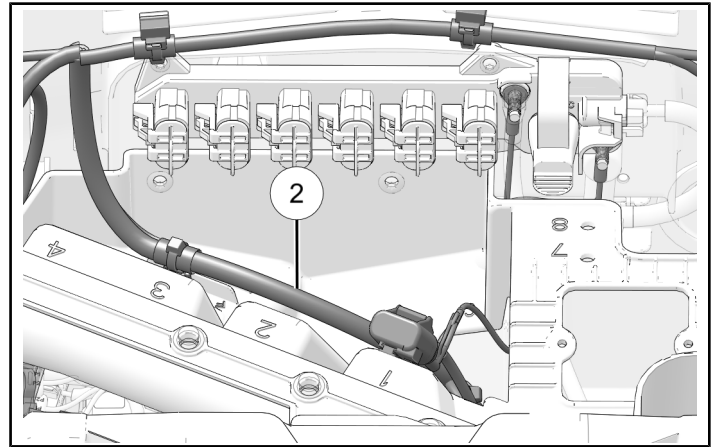


4. Installation will resume later.

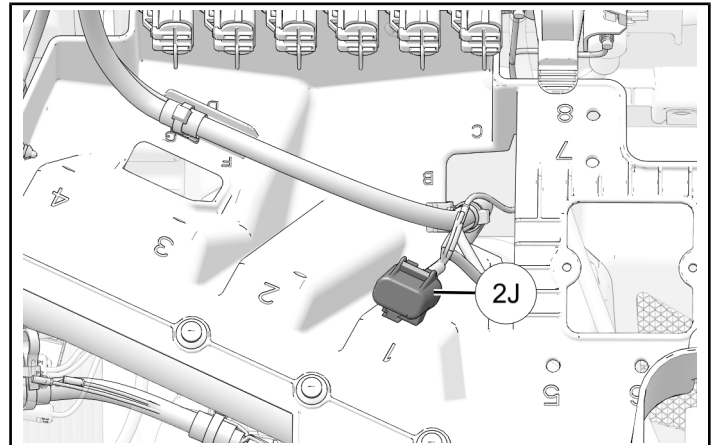
RIDE COMMAND® AUDIO HARNESS

AUDIO HARNESS ROUTING

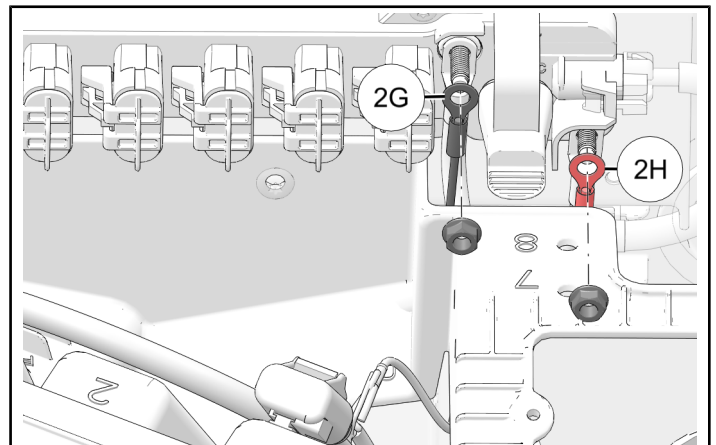
1. Place audio harness ② in accessory mounting panel.



2. Install fuse holder 2J onto accessory mounting panel. Secure harness to accessory mounting panel with one routing edge clip.



3. Remove two nuts from Polaris Pulse® bar.
 - Place negative terminal ring 2G onto GROUND terminal and reinstall nut.
 - Place positive terminal ring 2H onto POSITIVE terminal and reinstall nut.



4. Torque terminal block nuts to specification.

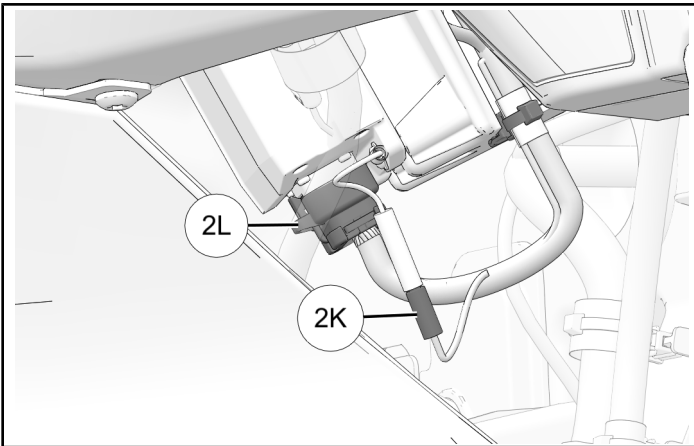
TORQUE

Terminal Block Nuts:
44 in-lbs (5 N·m)

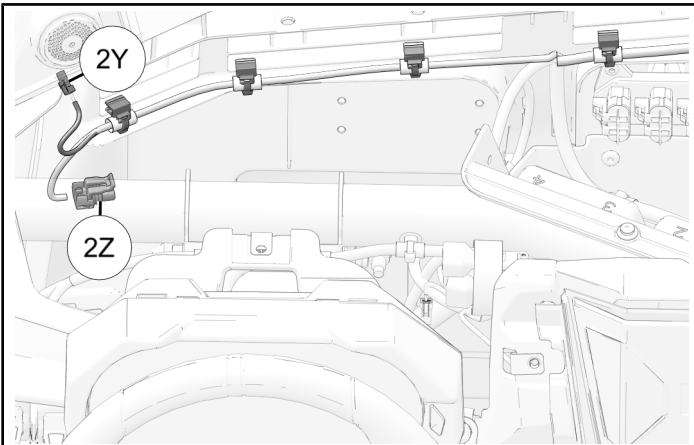
5. Route amplifier connectors **2L** and **2K** through bottom opening of accessory mounting panel. Secure harness to accessory mounting panel with one routed edge clip. Connect audio harness connector **2L** and **2K** to amplifier.

TIP

Access from passenger side.

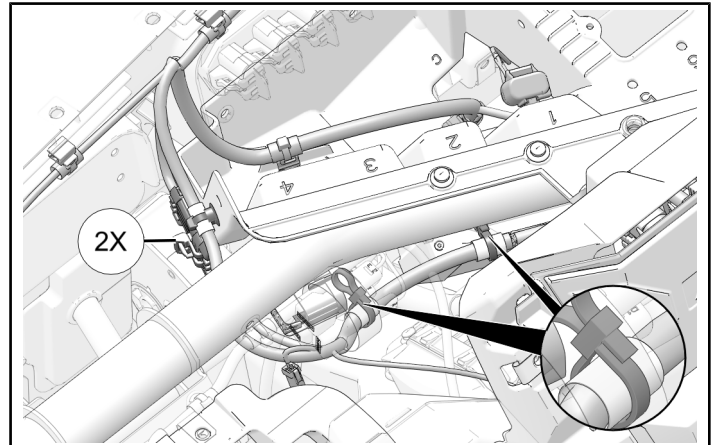


6. Route audio harness to driver side. Secure to front cab panel with routing clips.

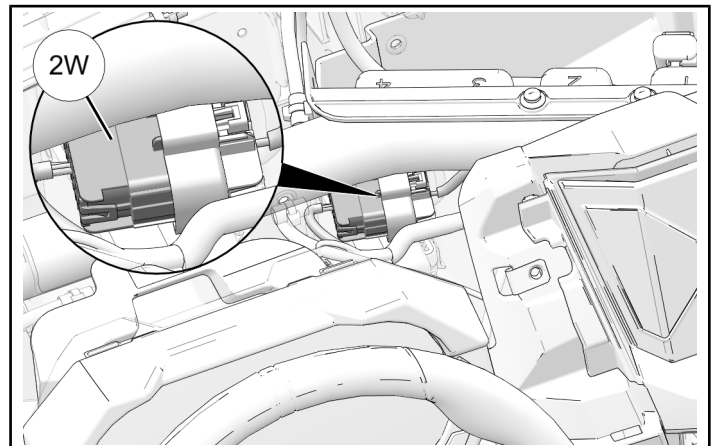


7. Connect audio harness connector **2Y** to tweeter and connector **2Z** to driver.

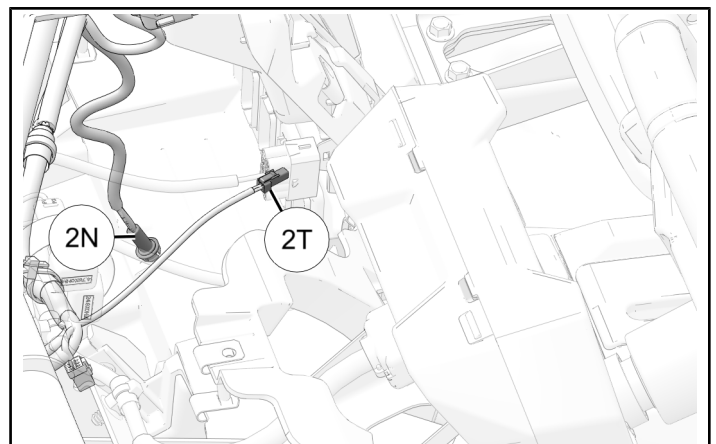
8. Route audio harness to head unit. Secure rear audio connector **2X** to accessory mounting panel with attached push-pin. Secure audio harness to accessory mounting panel with routing clip. Secure audio harness to chassis electrical harness with two attached cable ties.



9. Locate chassis connector beneath accessory mounting panel and remove cap from connector. Connect infotainment connector **2W** to chassis connector.



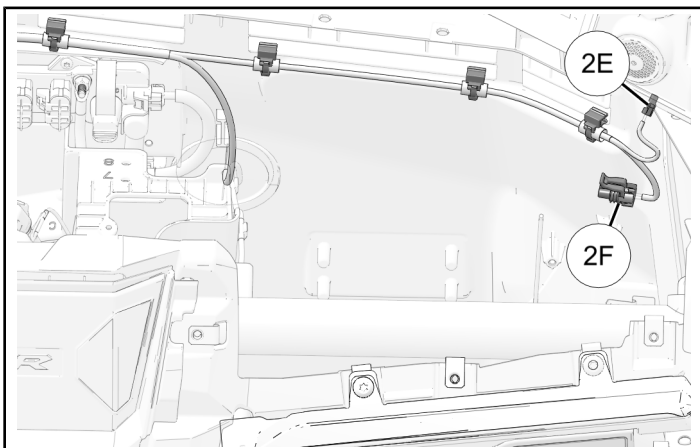
10. Insert LED light **2N** into center console panel and connect interior light connector **2T** to left-hand dash light connector (if equipped).



11. Connect interior light connector **2T** to right-hand dash light connector (if equipped).

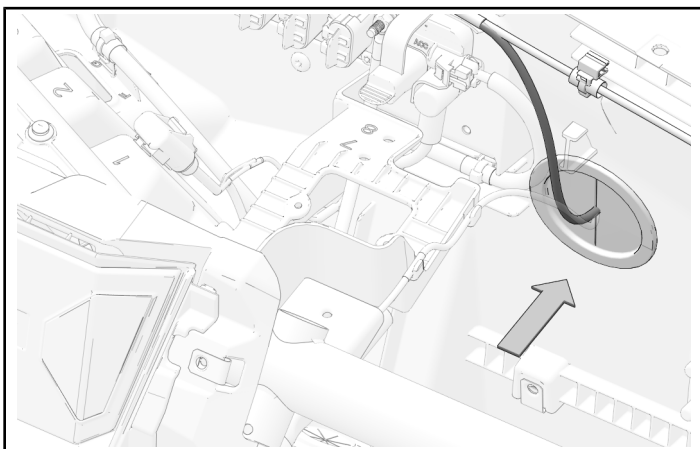


12. Route audio harness to passenger side. Secure to front cab panel with routing clips.

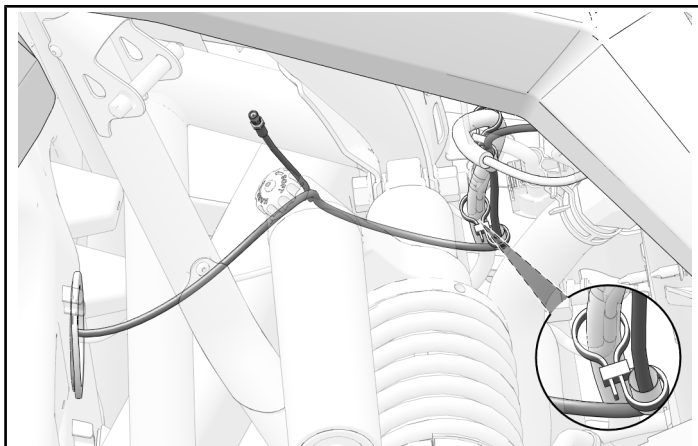


13. Connect audio harness connector **2E** to tweeter and connector **2F** to driver.

14. Route GPS and camera connectors through rubber grommet and front cab panel.



15. Secure audio harness to electrical chassis harness with two attached cable ties. Secure antenna harness with at least one attached cable tie.



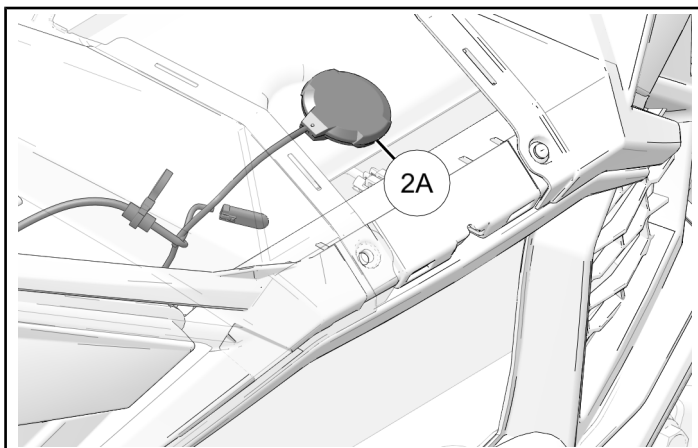
16. Route audio harness to front of vehicle along electrical chassis harness. Install GPS antenna **2A** onto vehicle structure.

NOTICE

Hood panel hidden for clarity.

TIP

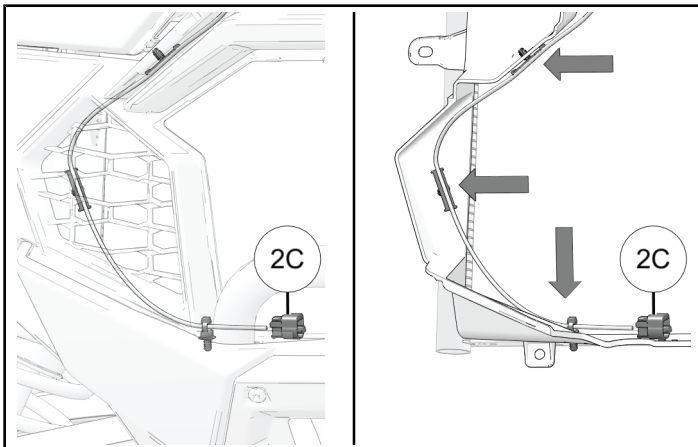
Harness routing may differ slightly depending on model and year.



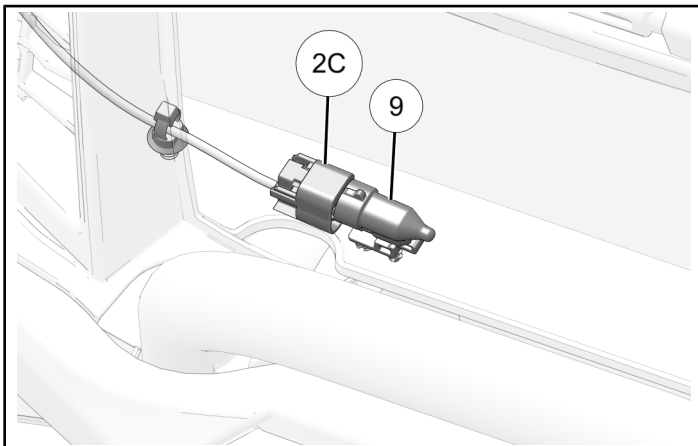
17. Route air temperature gauge connector **2C** along radiator shroud. Install with routing clips.

TIP

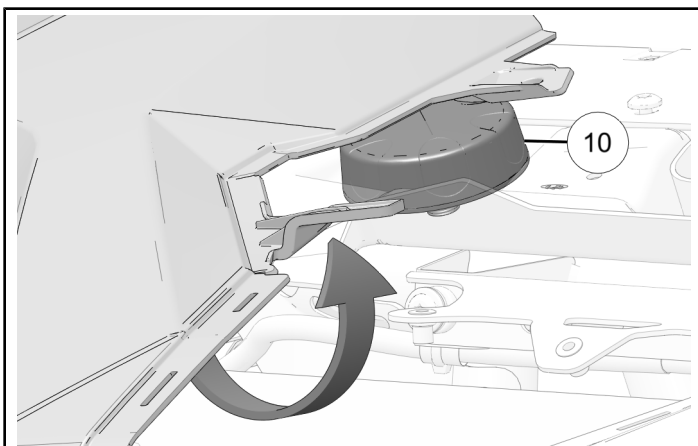
Harness routing may differ slightly depending on model and year.



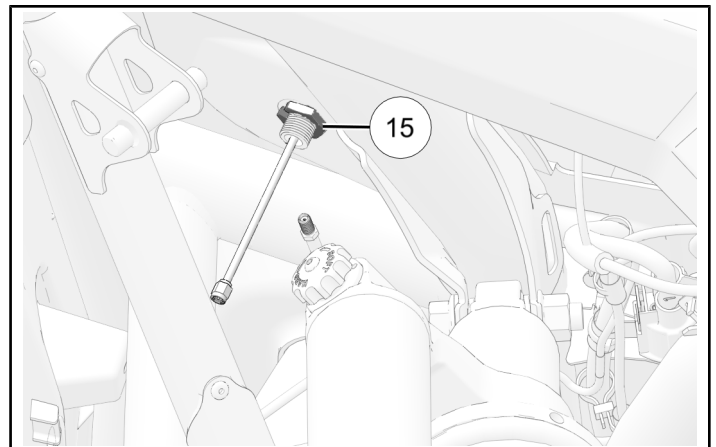
18. Connect air temperature gauge **9** to connector **2C** and install air temperature gauge **9** onto radiator shroud.



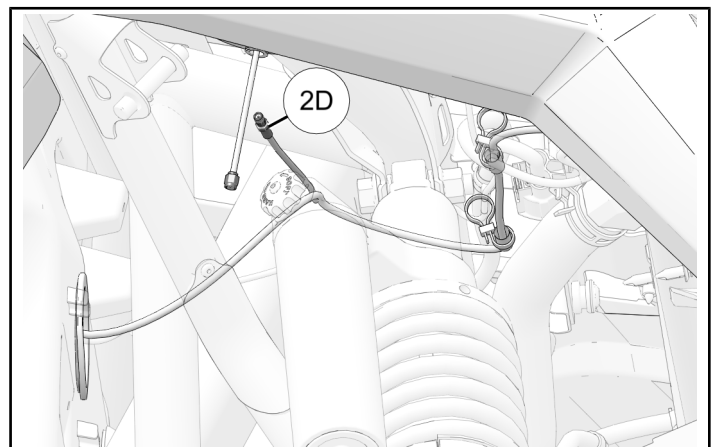
19. Carefully pull up on right-hand hood panel. Put V2V antenna harness through pre-drilled hole and install V2V antenna **10** onto vehicle.



20. Secure V2V antenna with slip-nut **15**.



21. Connect V2V antenna cable to coaxial connector **2D**.



FRONT CAMERA INSTALLATION

HOOD PANEL PREPARATION

1. Detach template page located at the end of this instruction.
2. Locate REFERENCE DIMENSION on template page.

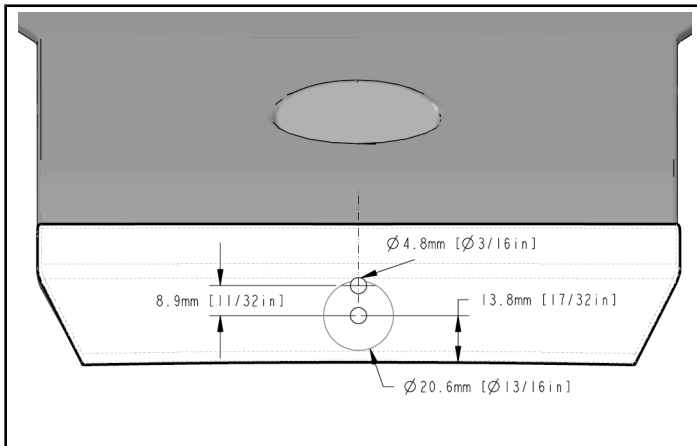
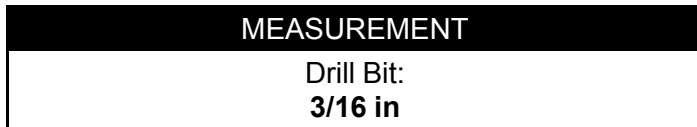
Verify REFERENCE DIMENSION is exact and template was properly printed to scale.

IMPORTANT

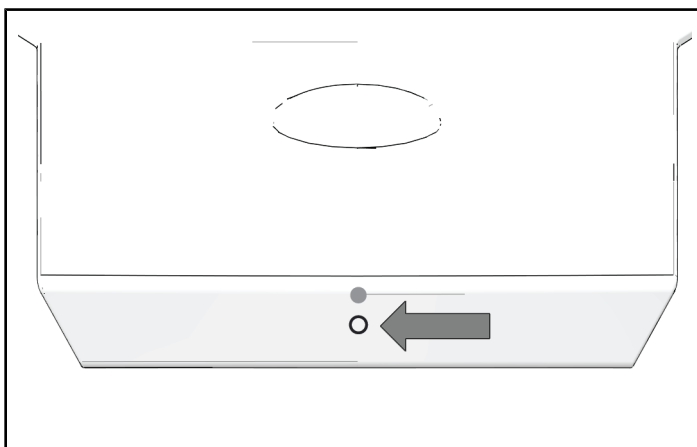
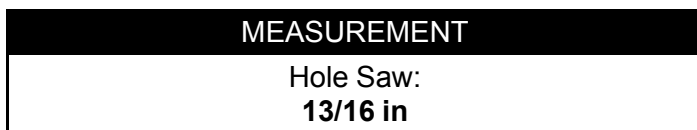
If REFERENCE DIMENSION is not exact, reprint template page from electronic file. Adjust print setting to **“Actual Size”** to obtain 1:1 scale. Electronic file available from your **Authorized Polaris® Dealer**.

3. Cut out template along outer border.
4. Align template with front hood panel. Use tape to hold template in place.

5. Mark two holes in plastic according to template with pick or equivalent tool. Remove template and drill holes using **3/16 in** drill bit.

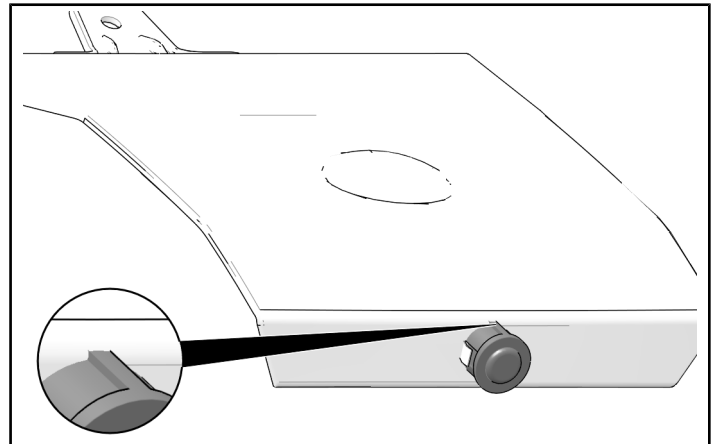


6. Drill out bottom hole with **13/16 in** hole saw.

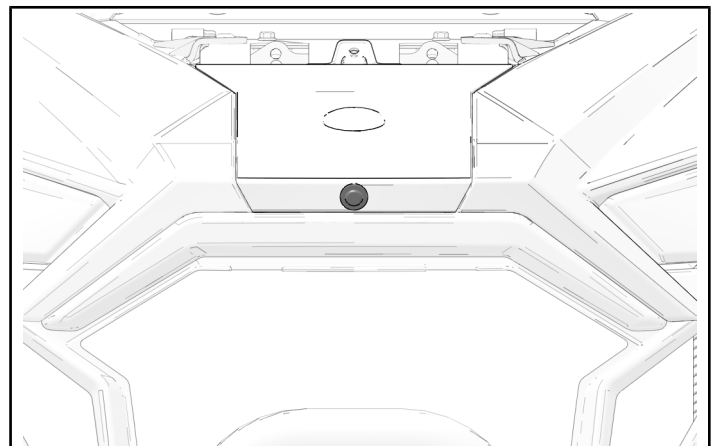


CAMERA INSTALLATION

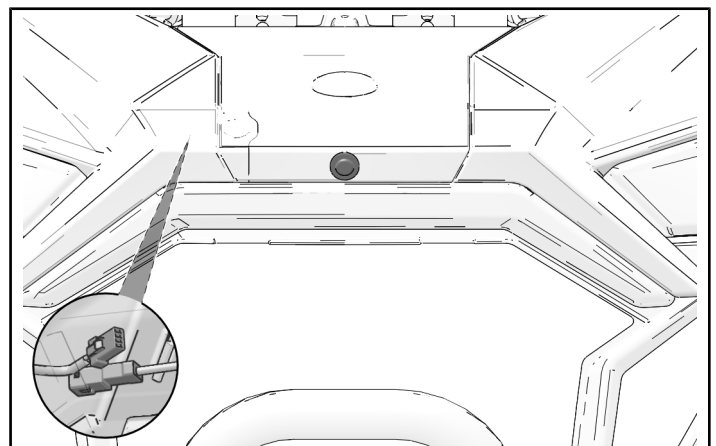
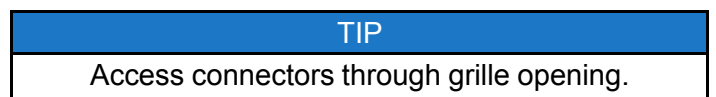
1. Slide front camera into hood panel. Ensure camera spline slides into top notch, created in previous section.



2. Replace hood panel to installed position.

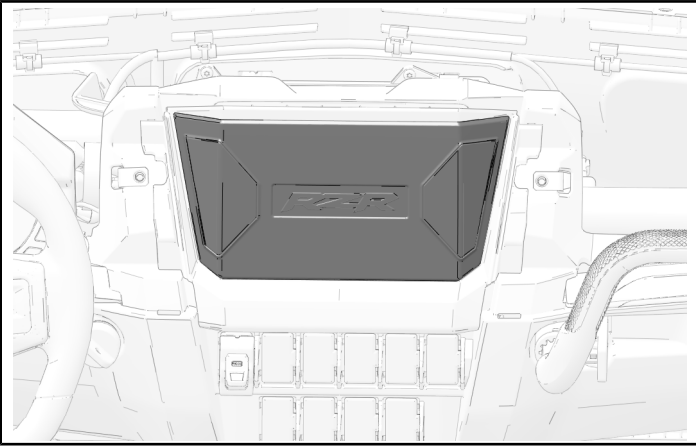


3. Connect camera connector to corresponding chassis or accessory harness connector.

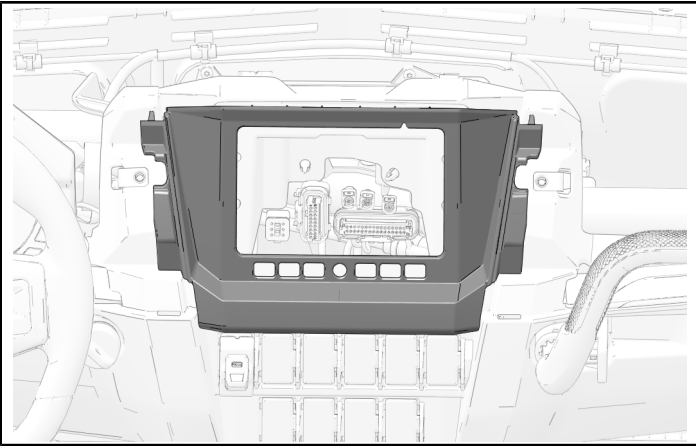


RIDE COMMAND® DISPLAY INSTALLATION

1. Remove and discard cover panel.

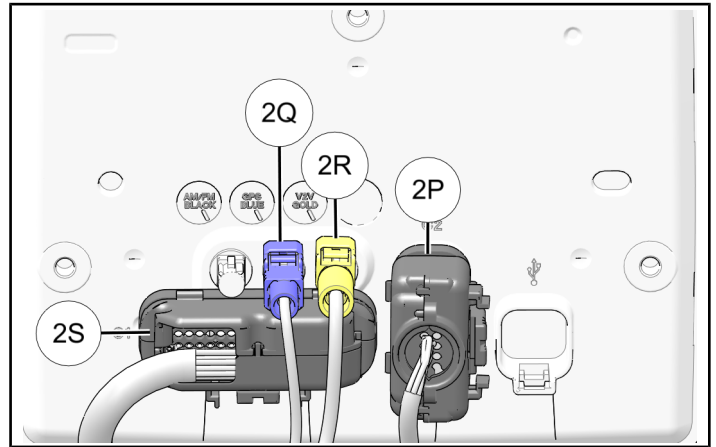


2. Remove and retain display bezel from dashboard.



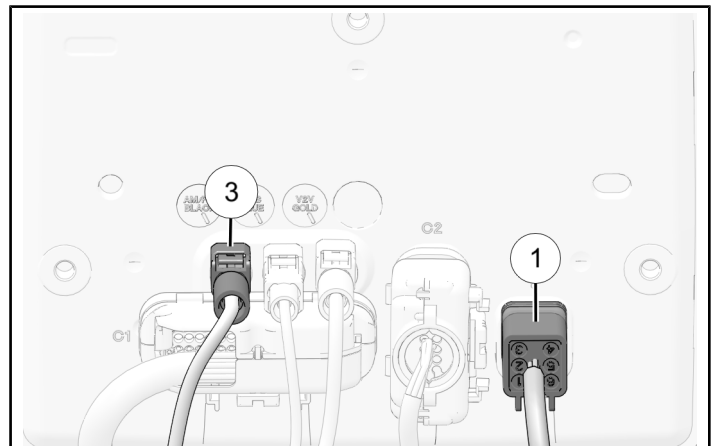
3. Connect Ride Command® harness to Ride Command® display.

REF	CONNECTS TO	MARKED AS
2S	Main Power	C1
2Q (Blue)	GPS Input	GPS BLUE
2R (Gold)	Vehicle-to-Vehicle Input	V2V GOLD
2P	Display	C2



4. Connect USB ① and antenna harness ③ to Ride Command® display.

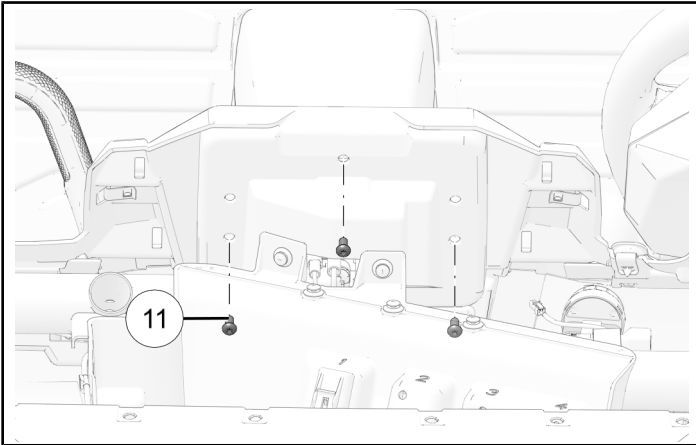
REF	CONNECTS TO	MARKED AS
1	USB Input	USB Icon
3	Antenna Input	AM/FM BLACK



5. Install Ride Command® display (sold separately) to front dashboard with three display fasteners ⑪.

TORQUE

Display Fasteners ⑪:
31 in-lbs (3.5 N·m)

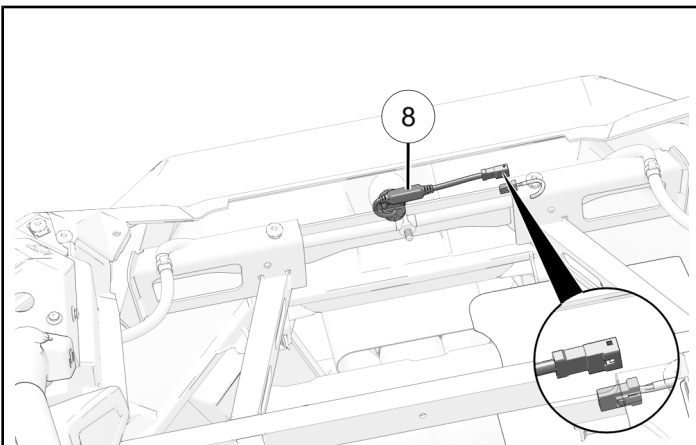


6. Reinstall display bezel.



REAR CAMERA INSTALLATION

1. Slide rear camera ⑧ into rear fascia until side tabs snap into place. Connect connector to chassis harness and secure with one cable tie ⑭.



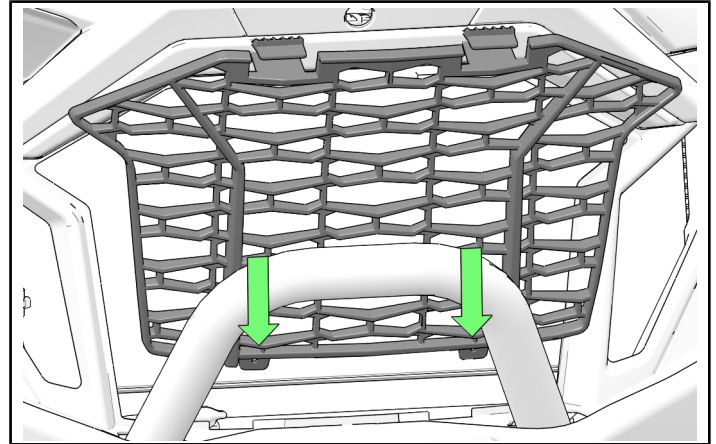
VEHICLE REASSEMBLY

GENERAL

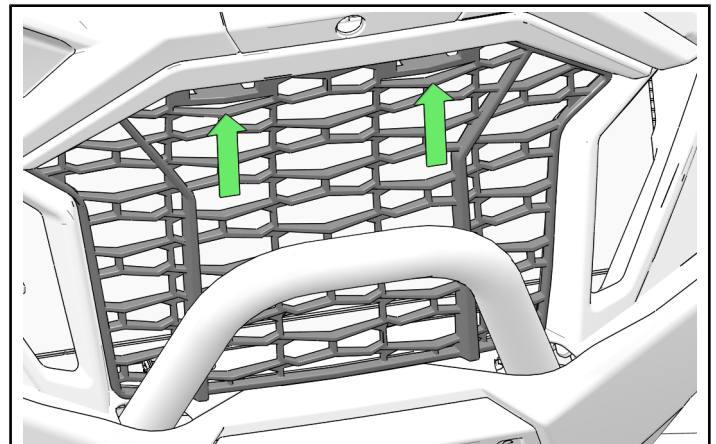
1. Turn vehicle on and test audio before proceeding with reinstallation procedures.

GRILLE INSTALLATION

1. Tip bottom of grille into front fascia.



2. Push top of grille into front fascia until two tabs engage with fascia and are secure.

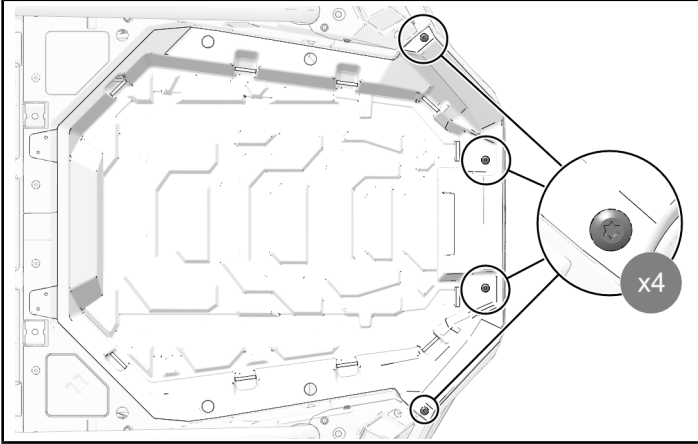


CARGO BOX INSTALLATION

1. Slide cargo box into vehicle. Ensure front tabs slide into vehicle body. Secure with four cargo box fasteners.

TORQUE

Cargo Box Fasteners:
89 in-lbs (10 N·m)

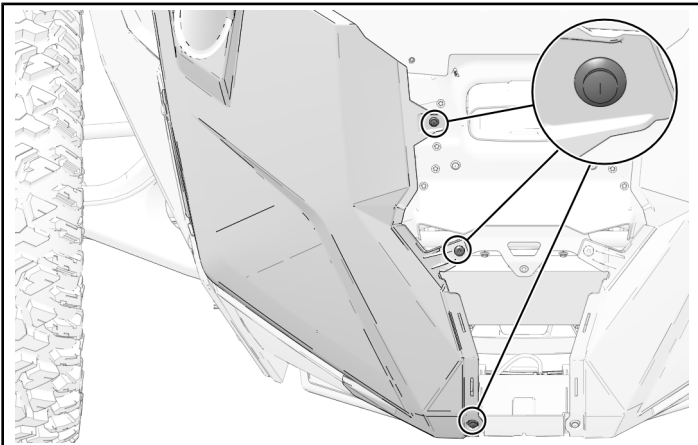


RIGHT-HAND HOOD PANEL ASSEMBLY

1. Install push-pin rivets where originally located and threaded fastener(s) where originally located.

TORQUE

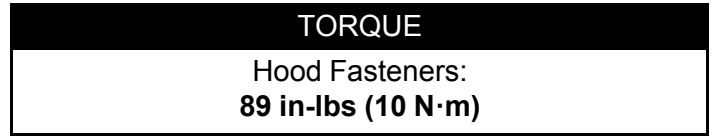
Hood Fasteners:
89 in-lbs (10 N·m)



2. Install three retained front fender fasteners. Torque hood and fender fasteners to specification

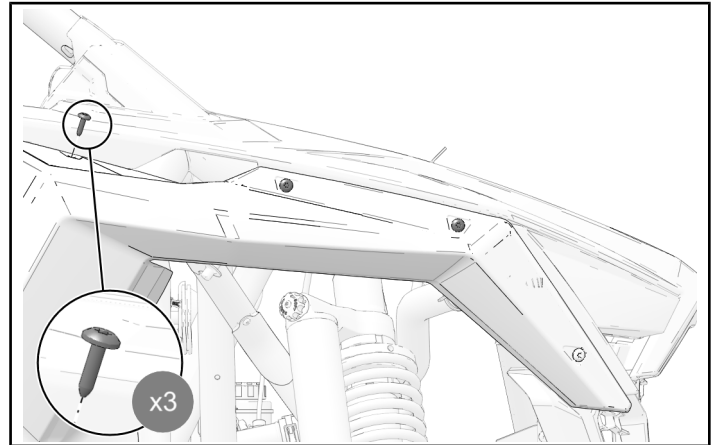
TORQUE

Fender Fasteners:
89 in-lbs (10 N·m)



TORQUE

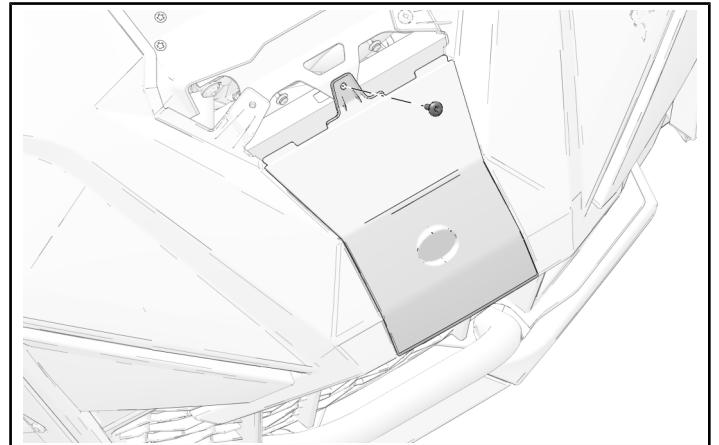
Hood Fasteners:
89 in-lbs (10 N·m)



3. Install front hood panel with one retained fastener.

TORQUE

Hood Fasteners:
89 in-lbs (10 N·m)

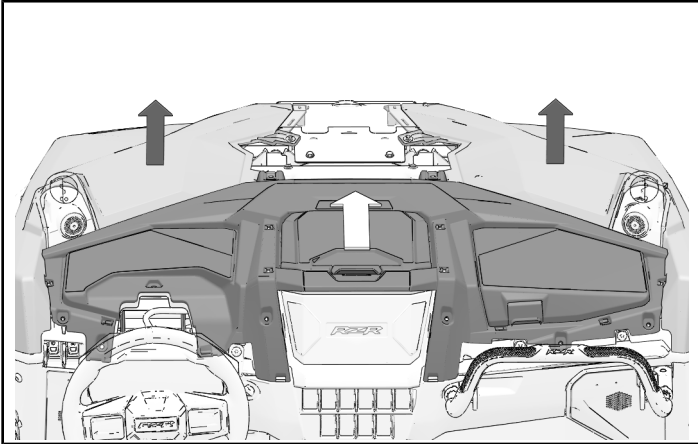


DASHBOARD TOP INSTALLATION

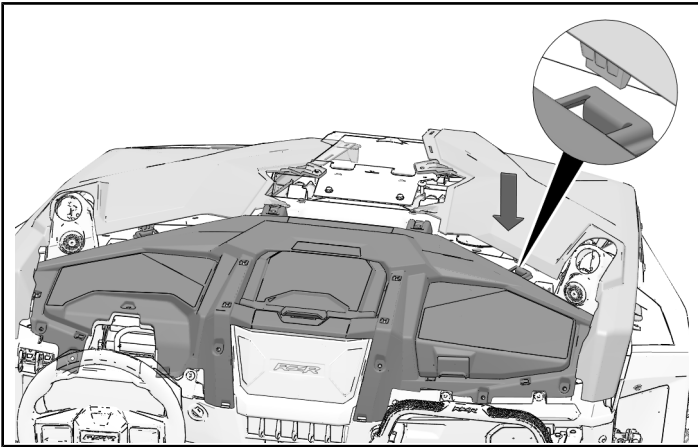
1. Carefully lift panels up-and-away from tabs and install dashboard top into place by tilting rear section up and installing front section first, then lower rear section into place.

TIP

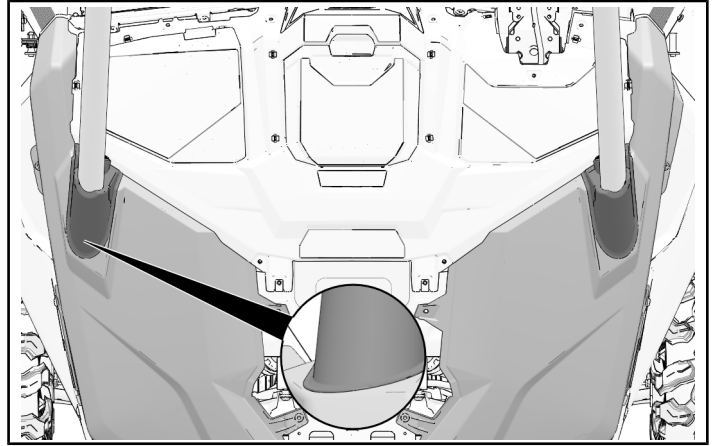
Two people are recommended to complete this step.



2. Ensure that tabs on panels are aligned in slots on dashboard top. (Passenger-side panel shown; driver-side panel similar.)



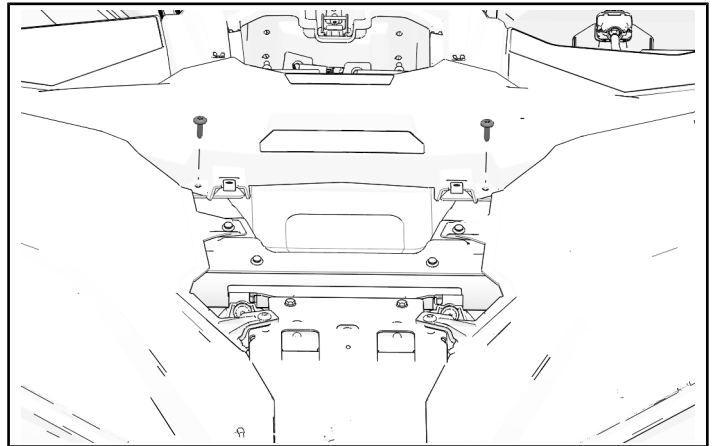
3. Ensure that both rubber boots are properly seated around hood panels. Only upper lip should be visible, as shown with inset.



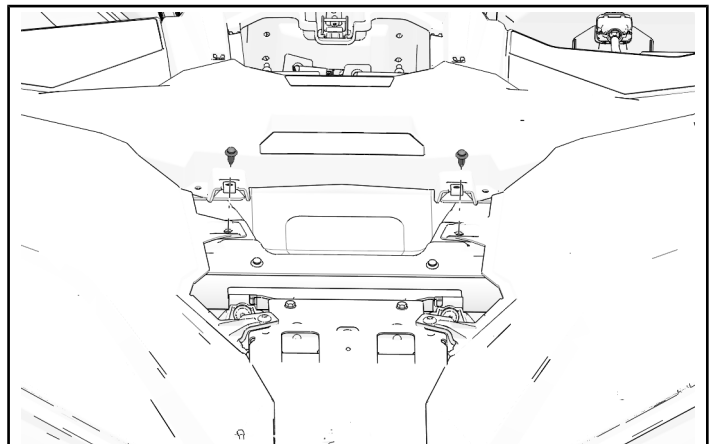
4. Reinstall two retained front dashboard fasteners into front edge of top dashboard.

TORQUE

Front Dashboard Fasteners:
88 in-lbs (10 N·m)



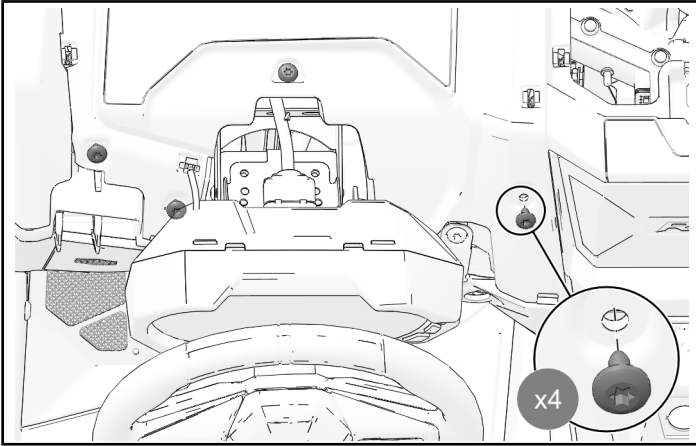
5. Install hood panels to with two retained push-pin rivets



6. Tilt steering wheel down. Install four retained screws through dashboard top and torque to specification.

TORQUE

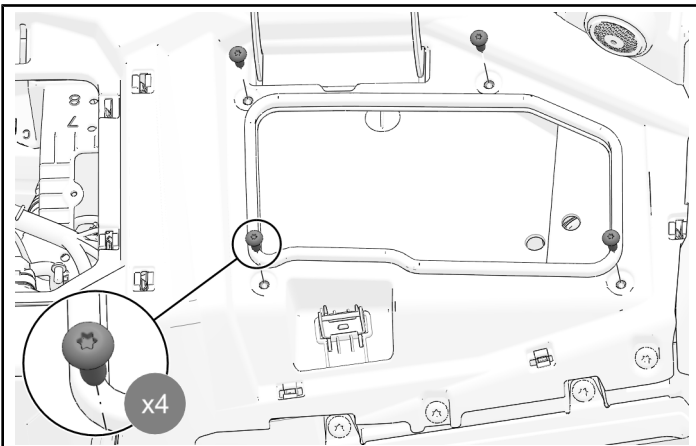
Dashboard Fasteners:
88 in-lbs (10 N·m)



7. Open glove box lid and reinstall storage compartment. Install four retained dashboard fasteners around glove box opening.

TORQUE

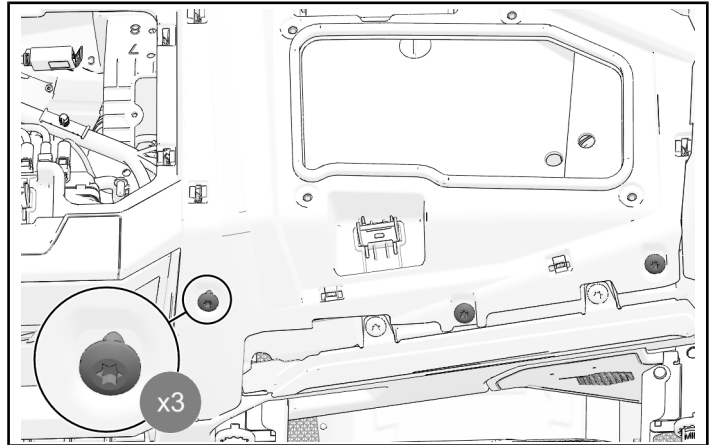
Dashboard Fasteners:
88 in-lbs (10 N·m)



8. Install front of dashboard with three retained dashboard fasteners.

TORQUE

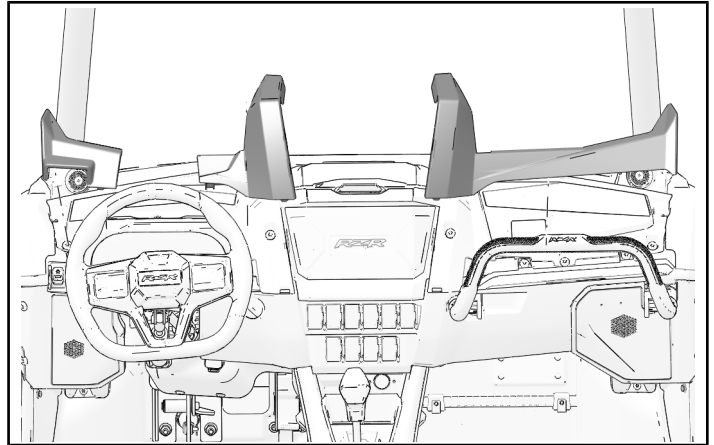
Dashboard Fasteners:
88 in-lbs (10 N·m)



9. Install retained left, center, and right dashboard trim pieces.

TIP

Release steering tilt lock for improved access.

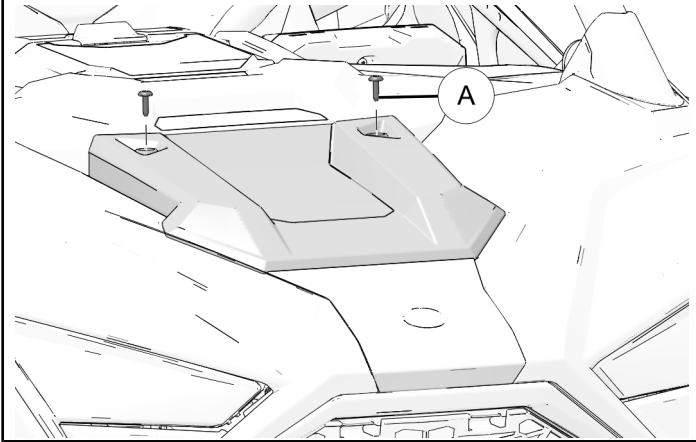


CENTER HOOD PANEL INSTALLATION

1. Slide panel forward until tabs slide into front hood panel and install with two hood fasteners (A).

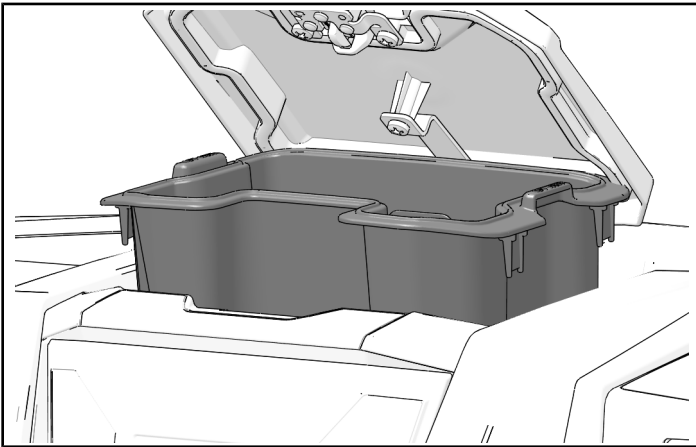
TORQUE

Hood Fasteners (A):
89 in-lbs (10 N·m)

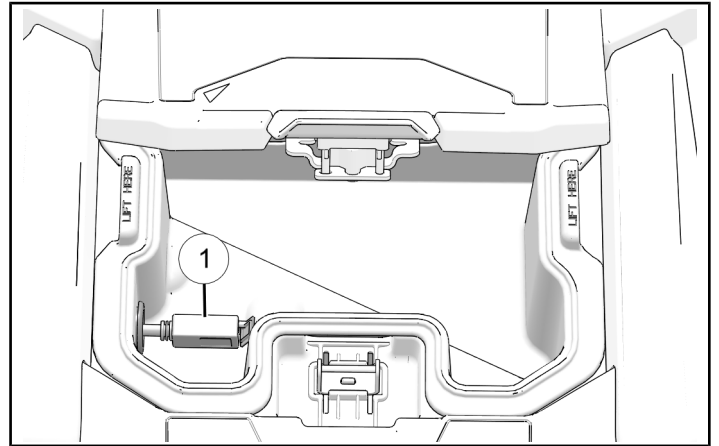


DASHBOARD STORAGE INSTALLATION

1. Loosely place storage compartment in dashboard cavity.



2. Route USB harness (1) into storage compartment. Make sure rubber grommet is fully seated in side wall of storage compartment before pushing storage compartment into dashboard.

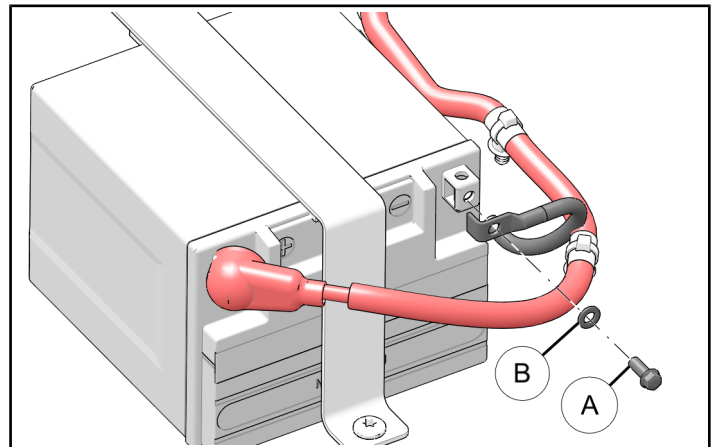


BATTERY CONNECT

1. Connect NEGATIVE battery cable with one battery terminal post (A) and washer (B).

TORQUE

Battery Terminal (A):
44 in-lbs (5 N·m)

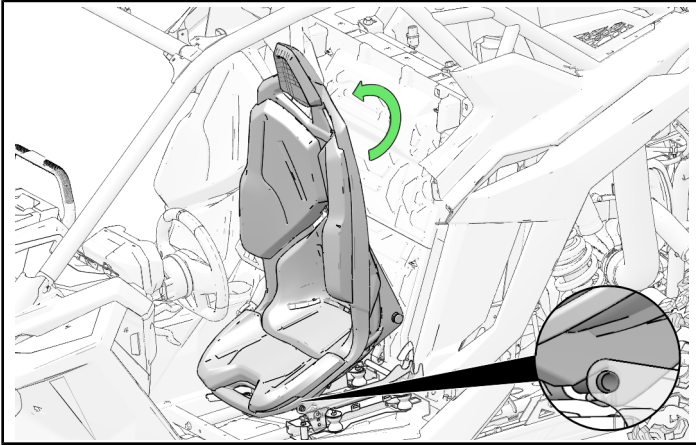


FRONT SEAT INSTALLATION

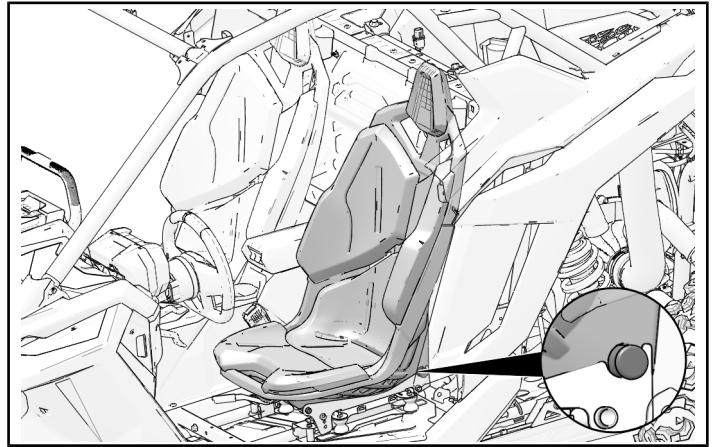
NOTICE

Driver seat shown; passenger seat similar.

1. Tilt seat towards steering wheel and hook seat base onto front receiver tubes.



2. Lower seat onto rear receiver tubes.



INSTRUCTION FEEDBACK FORM

A feedback form has been created for the installer to provide any comments, questions or concerns about the installation instructions. The form is viewable on mobile devices by scanning the QR code or by clicking [HERE](#) if viewing on a PC.



This page intentionally left blank.

