

STAGE 4 AUDIO KIT



P/N 2884562

BEFORE YOU BEGIN

Read these instructions and check to be sure all parts and tools are accounted for. Please retain these installation instructions for future reference and parts ordering information.

APPLICATION

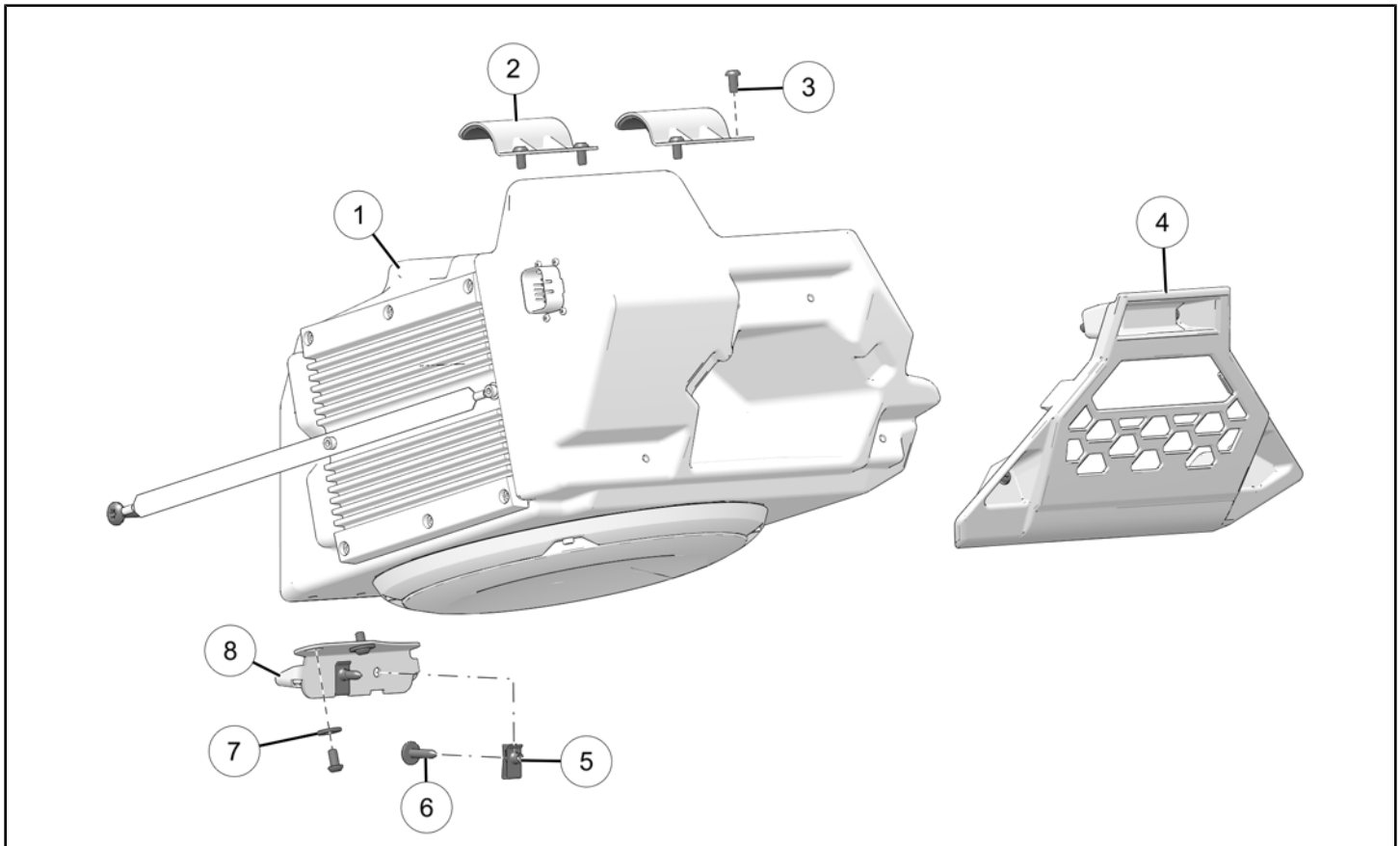
Verify accessory fitment at www.polaris.com.

REQUIRED SOLD SEPARATELY

Only parts for installation of the Stage 4 Audio Kit are included. Prior installation of one of the following audio configurations is also required (sold separately):

- *PMX Audio*
- *Ride Command® Audio*

KIT CONTENTS

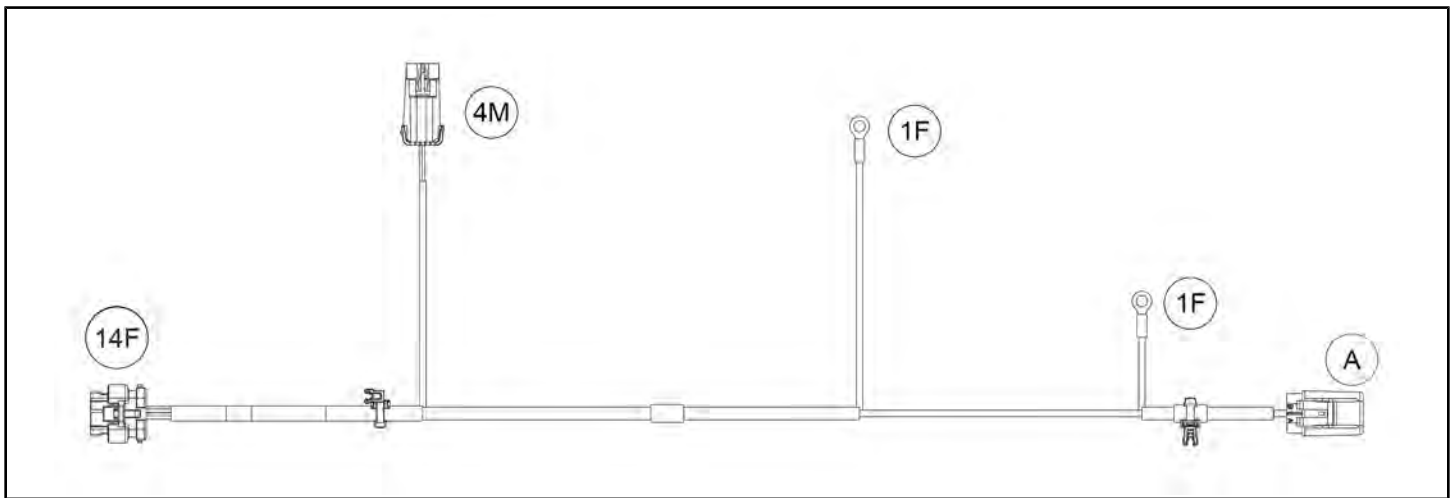


REF	QTY	PART DESCRIPTION	P/N AVAILABLE SEPARATELY
1	1	Assembly–Subwoofer 10”	n/a
2	2	Bracket – Clamp	n/a
3	10	Screw – Torx® Button Head, M6 x 1.0 x 12 mm	7519063

REF	QTY	PART DESCRIPTION	P/N AVAILABLE SEPARATELY
4	1	Net – Storage	n/a
5	2	U-Nut	7081305
6	3	Screw – Torx® Truss Head, M6 x 1.0 x 25 mm	7519650
7	2	Washer– 6.4 x 18.0 x 1.6 mm	7556064
8	1	Bracket – Mounting	n/a
9	1	Harness – Audio (see <i>Harness Detail</i> section)	2415744

HARNESS DETAIL

SUBWOOFER HARNESS ⑨



REF	PART DESCRIPTION	CONNECTS TO
14F	Connector–Subwoofer	Subwoofer
4M	Connector–Audio	Audio Harness
1F	Terminal–Ring, Ground (black)	Polaris Pulse® Bar
1F	Terminal–Ring, Positive (red)	Polaris Pulse® Bar
A	Fuse, Subwoofer	Right of Polaris Pulse® Bar

Example: 16F = 16 pin, Female / 16M = 16 pin, Male (Male terminal fits inside female terminal)

TOOLS REQUIRED

- Safety Glasses
- Drill
- Drill Bit:
 - 1/4 in 6 mm
- Hex Key Set, Metric
- Pliers, Push Pin Rivet
- Socket Set, Hex Bit, Metric
- Socket Set, Metric
- Socket Set, Torx® Bit
- Torque Wrench
- Wrench, Adjustable, 10 in
- Wrench Set, Metric

IMPORTANT

Your Stage 4 Audio Kit is exclusively designed for your vehicle. Please read the installation instructions thoroughly before beginning. Installation is easier if the vehicle is clean and free of debris. For your safety, and to ensure a satisfactory installation, perform all installation steps correctly in the sequence shown.

INSTALLATION INSTRUCTIONS

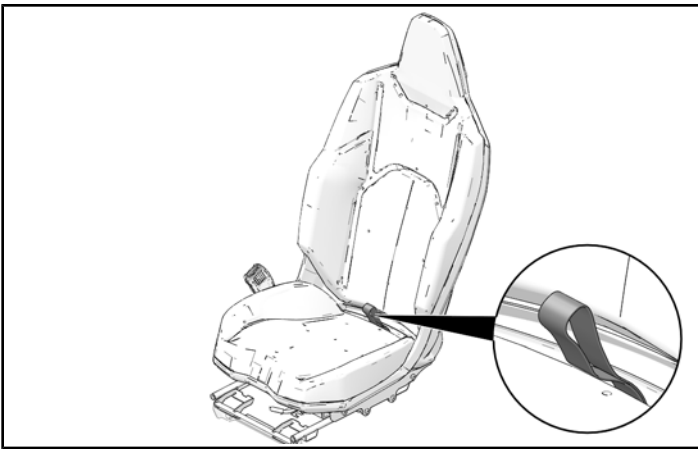
VEHICLE PREPARATION

GENERAL

1. Park vehicle on a flat surface.
2. Shift vehicle into PARK.
3. Turn key to OFF position and remove key.

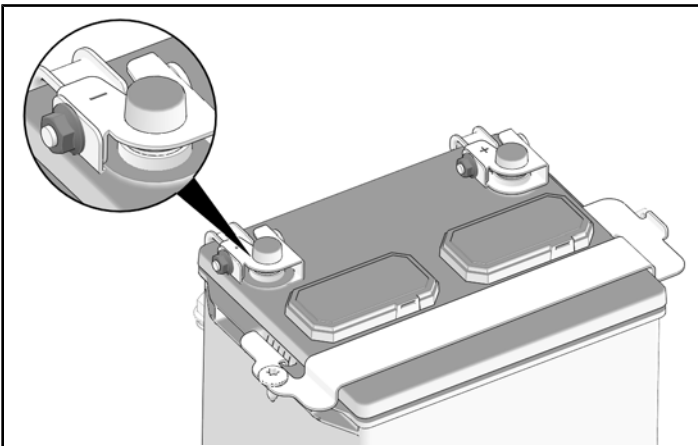
SEAT REMOVAL

1. Pull strap to disengage seat. Tilt seat forward and remove from vehicle.



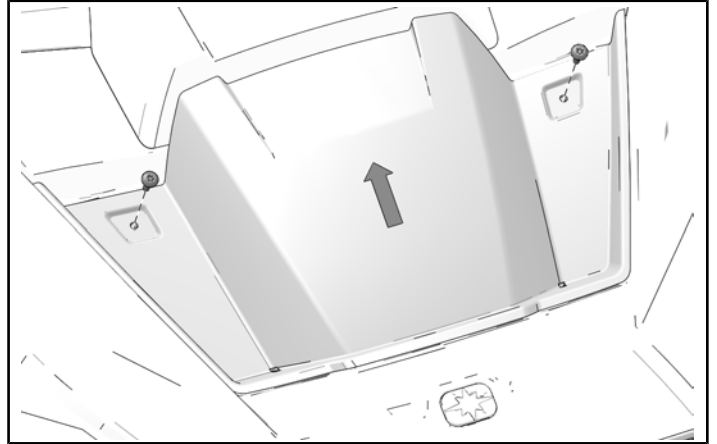
BATTERY DISCONNECT

1. Loosen nut on negative battery terminal and remove negative battery cable from battery.



HOOD REMOVAL

1. Remove and keep two hood fasteners. Move hood rearward to remove.

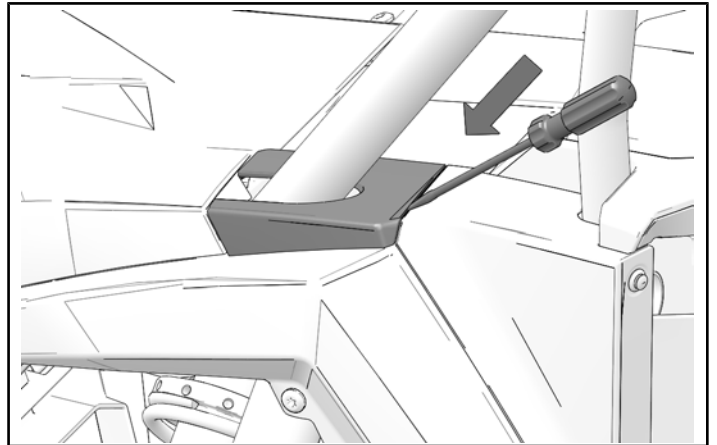


OUTER HOOD REMOVAL

1. Gently insert flat head screwdriver under rear seam of front pocket fender.

NOTICE

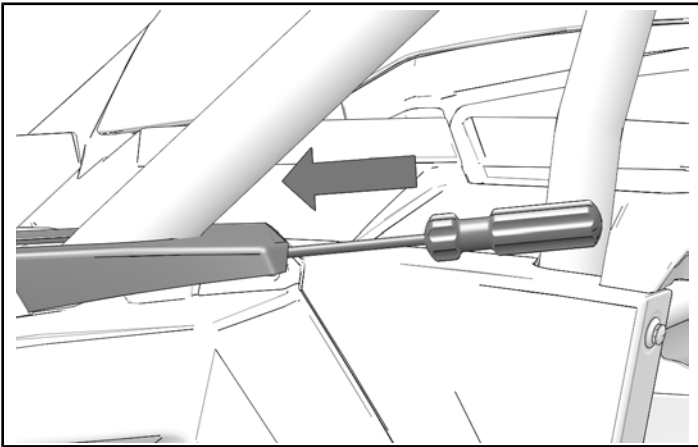
Left side shown, right side similar.



2. Slide flat head screwdriver under front pocket fender.

NOTICE

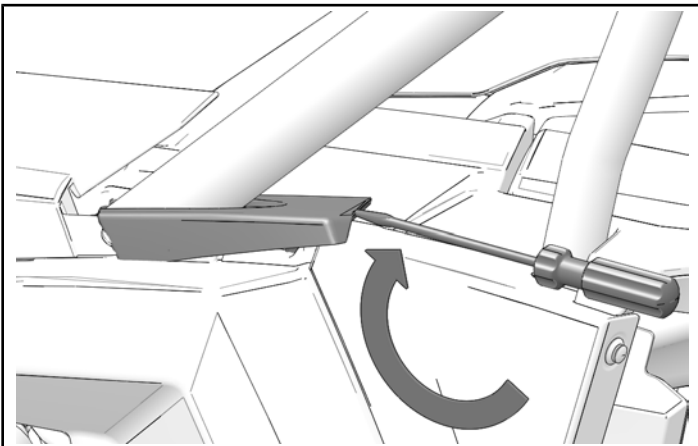
Left side shown, right side similar.



3. Gently lift screwdriver upward to free front pocket fender from clips.

NOTICE

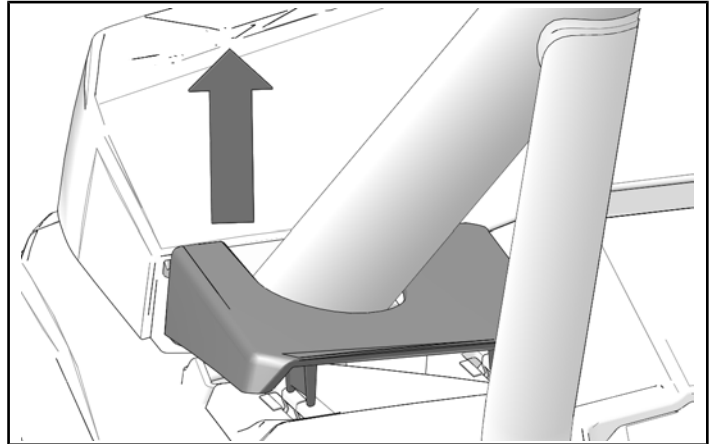
Left side shown, right side similar.



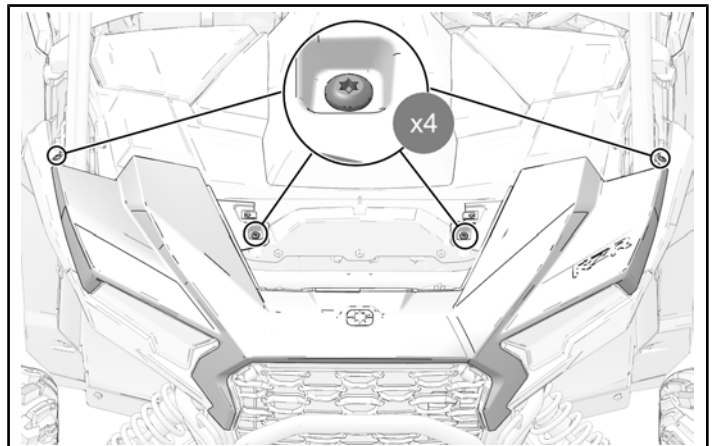
4. Remove and keep front pocket fender.

NOTICE

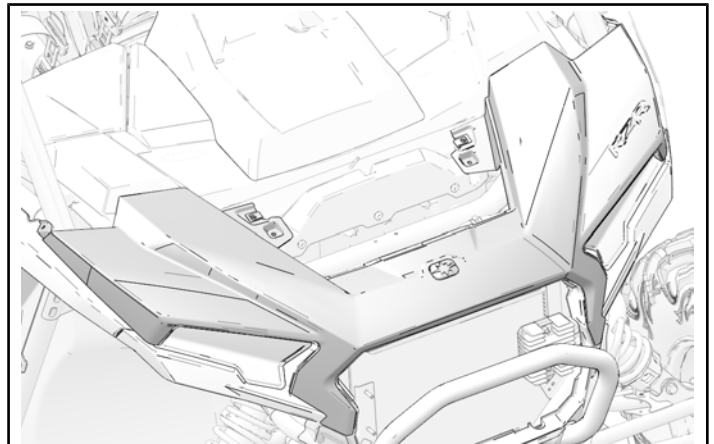
Left side shown, right side similar.



5. Remove and keep four outer hood fasteners.

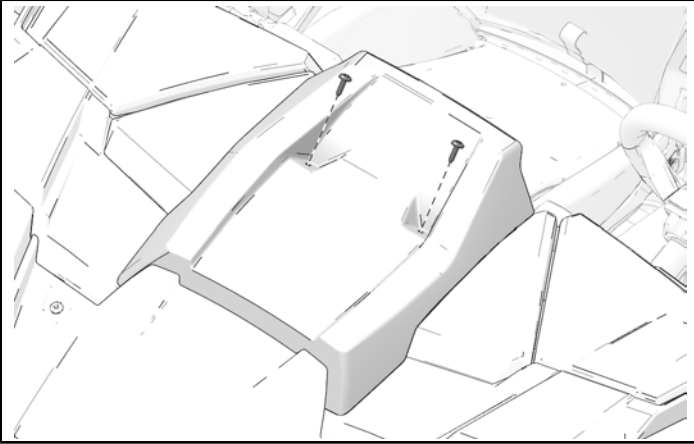


6. Remove outer hood from vehicle.

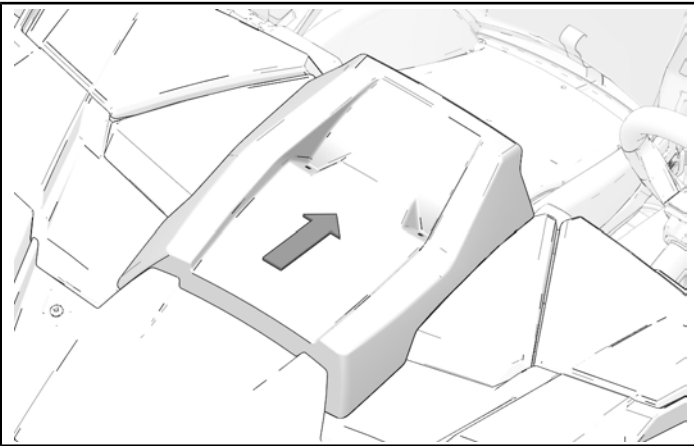


CENTER DASHBOARD REMOVAL

1. Remove and keep two dashboard fasteners.



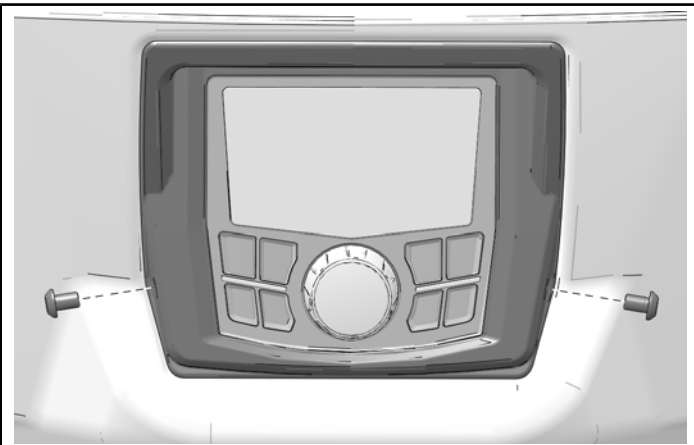
2. Pull panel rearward to remove.



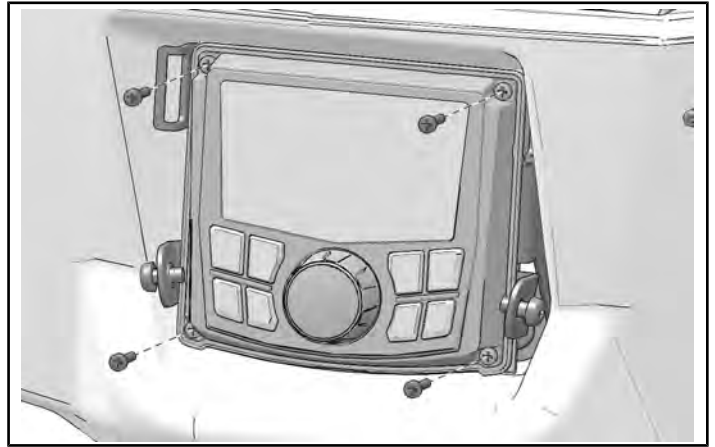
AUDIO HEAD UNIT REMOVAL (IF APPLICABLE)

PMX HEAD UNIT REMOVAL

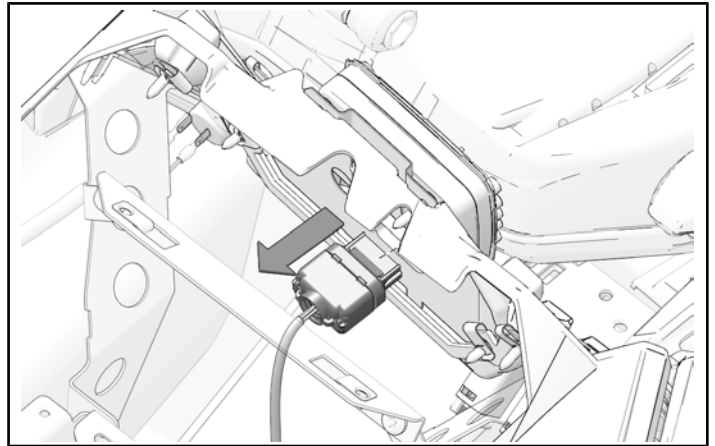
1. Remove two bezel screws to remove PMX bezel.



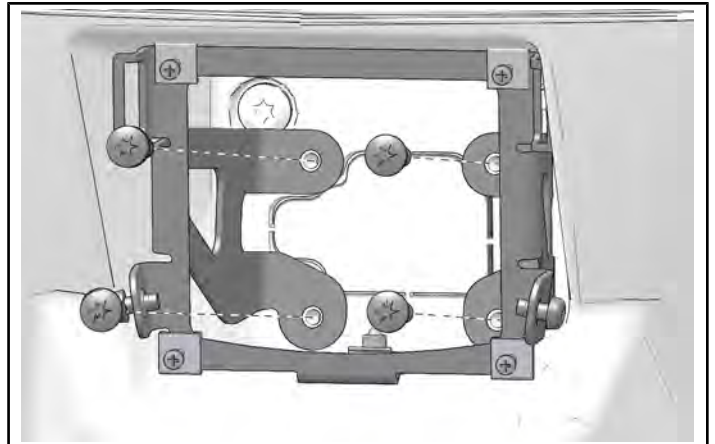
2. Remove four screws to disconnect PMX unit from mounting bracket.



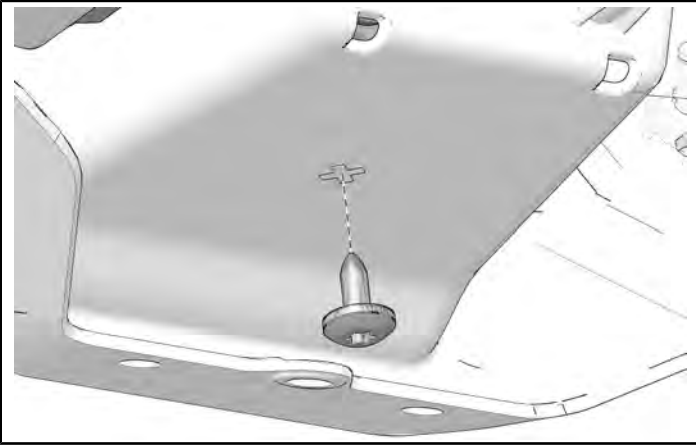
3. Pull PMX head unit out and disconnect antenna and power connectors.



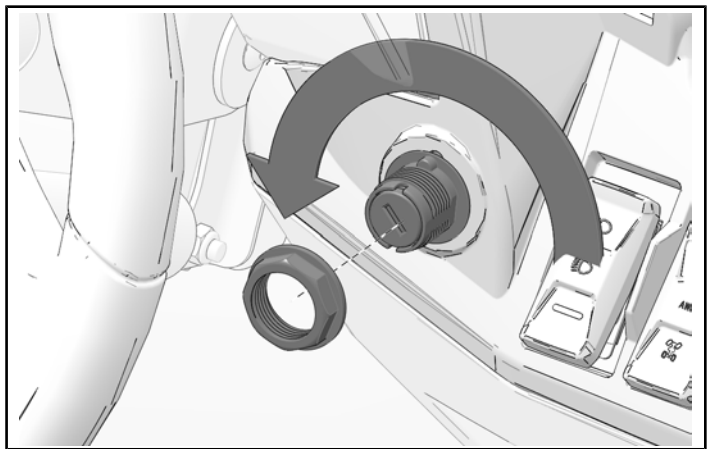
4. Remove four fasteners.



5. Remove one fastener to remove head unit bracket.

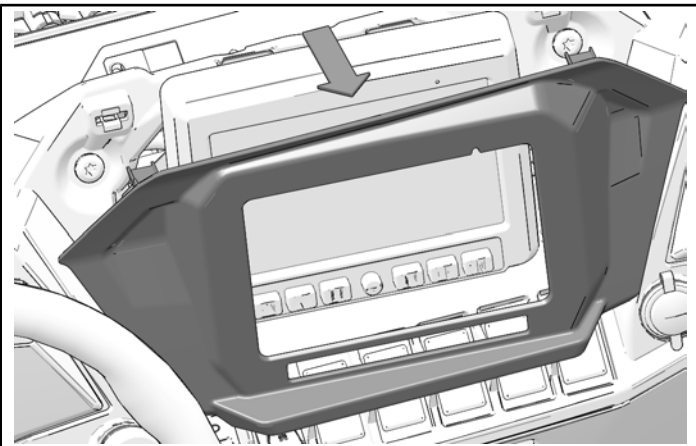


2. Remove and keep ignition switch retaining nut.

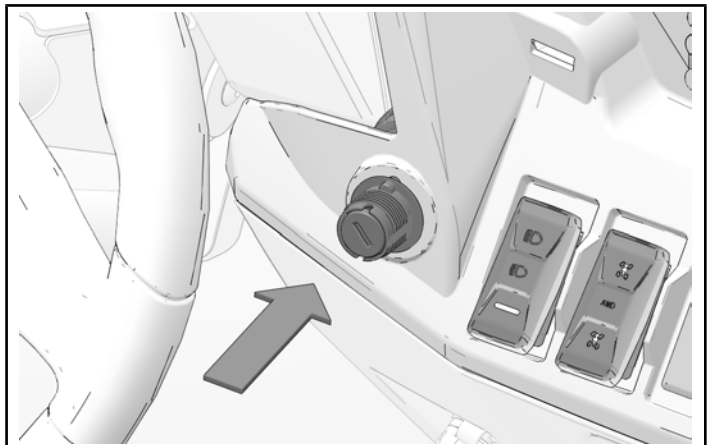


BEZEL COVER REMOVAL

1. Pull bezel cover outwards at each corner.

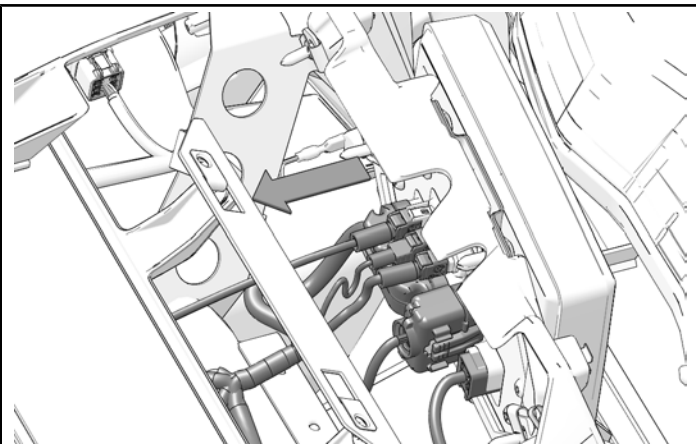


3. Push ignition switch through bezel.

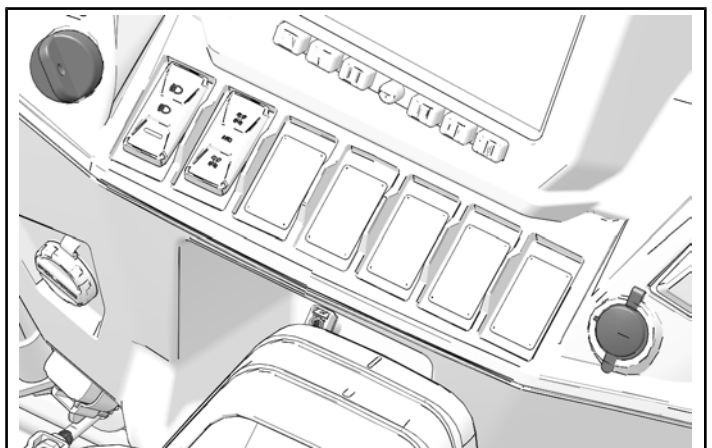


BEZEL REMOVAL

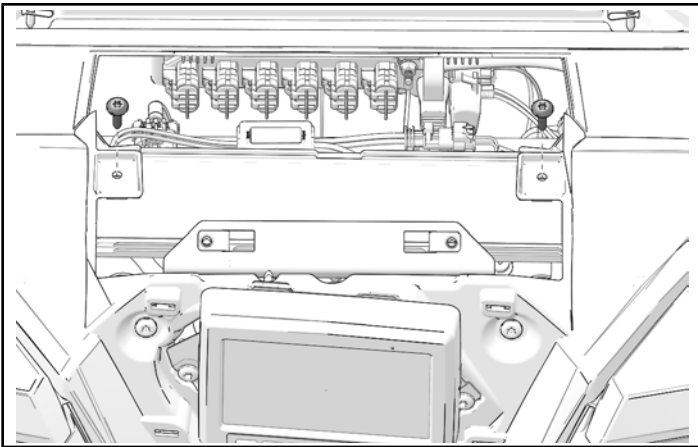
1. Disconnect instrument cluster.



4. Disconnect 12V port on right-hand side, if installed.

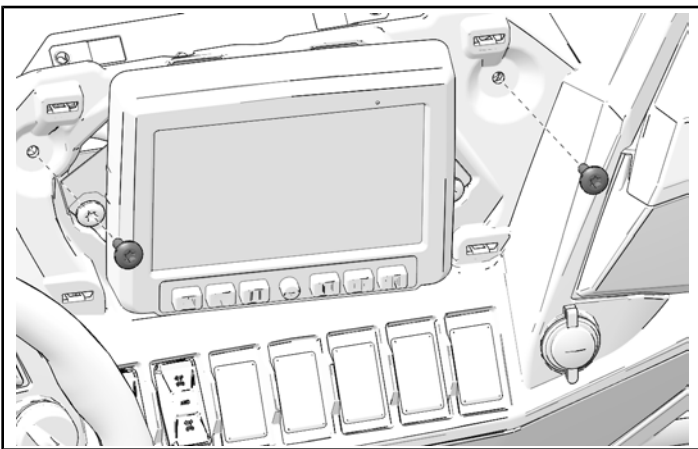


5. Remove and keep two top bezel fasteners.

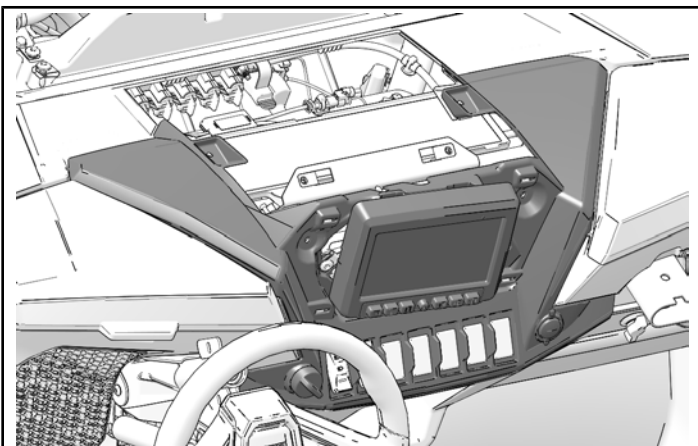


6. Remove and keep two lower bezel fasteners.

7.



8. Carefully pull bezel away from dashboard. Reach behind bezel and disconnect all remaining electrical connections.

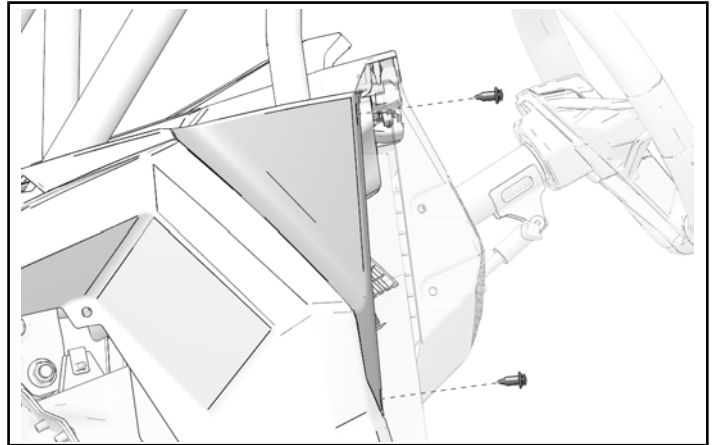


REAR POCKET FENDER REMOVAL

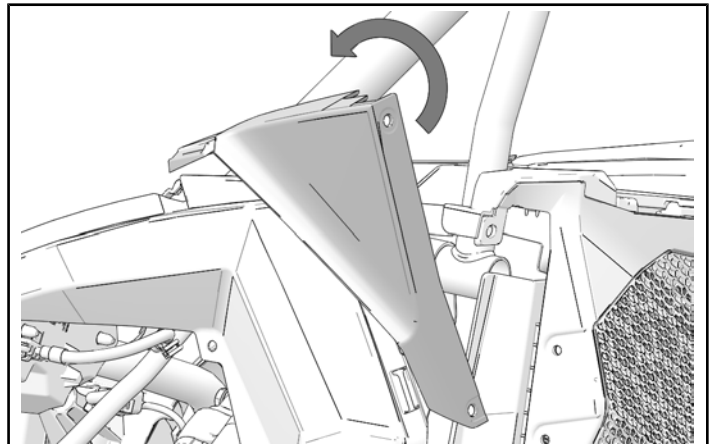
NOTICE

Left fender flare shown; right fender flare similar.

1. Remove two push-pin rivets from rear pocket fender.

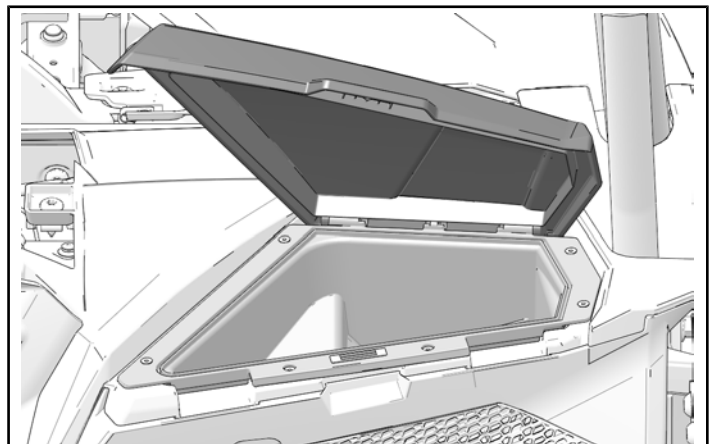


2. Rotate rear pocket fender away from vehicle body and remove.

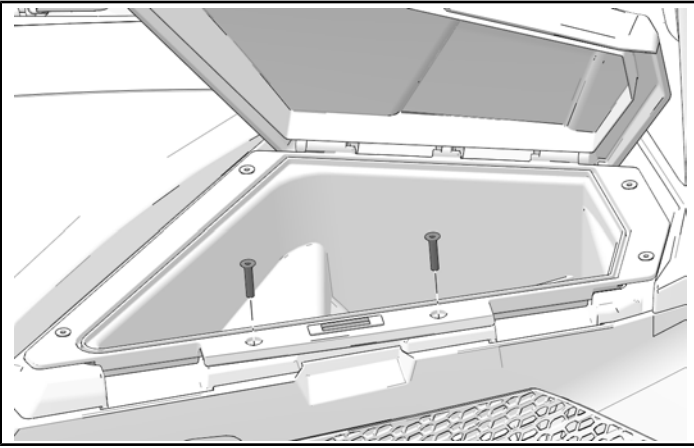


UPPER DASHBOARD REMOVAL

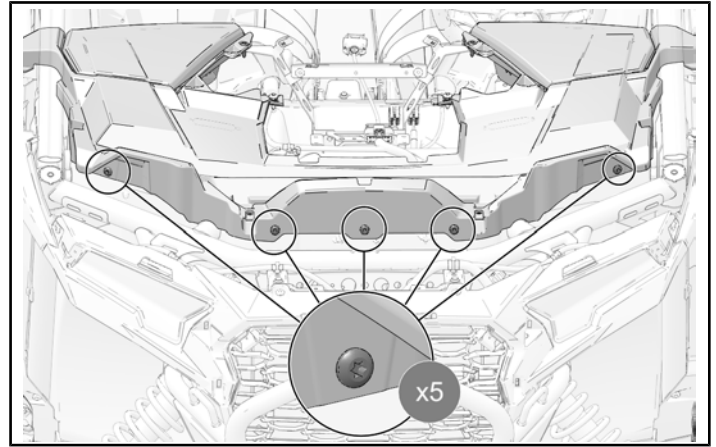
1. Open passenger storage compartment.



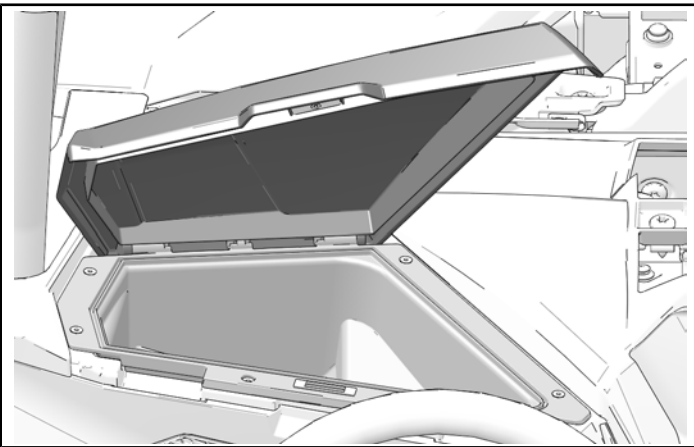
2. Remove and keep two storage compartment fasteners.



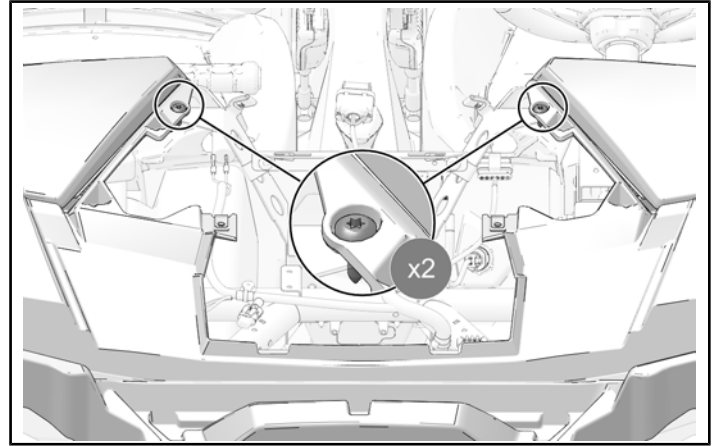
5. Remove and keep five fasteners from front of upper dashboard.



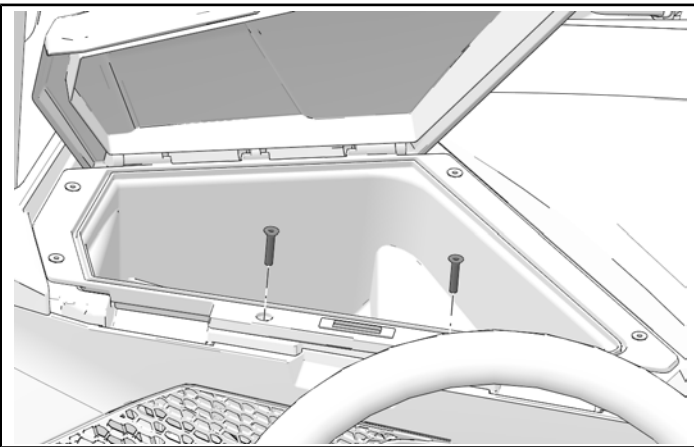
3. Open driver storage compartment.



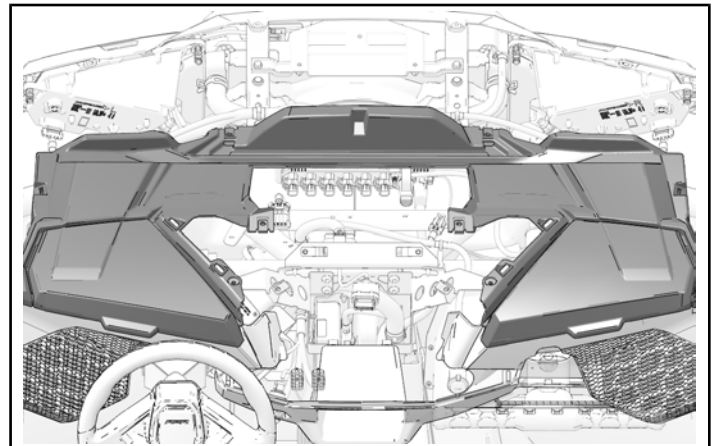
6. Remove and keep two fasteners from top of upper dashboard.



4. Remove and keep two storage compartment fasteners.

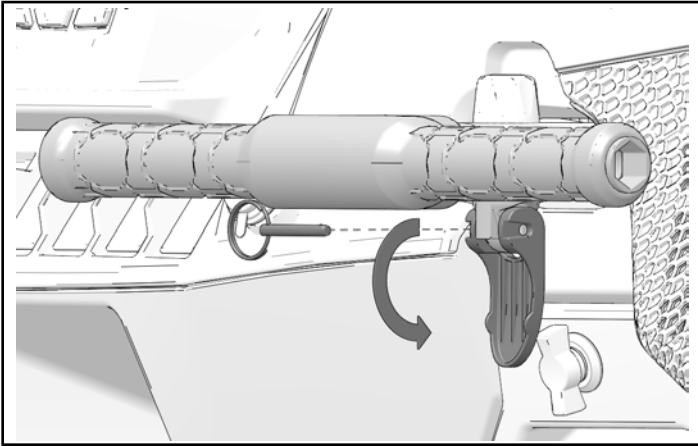


7. Remove upper dashboard panel from vehicle.

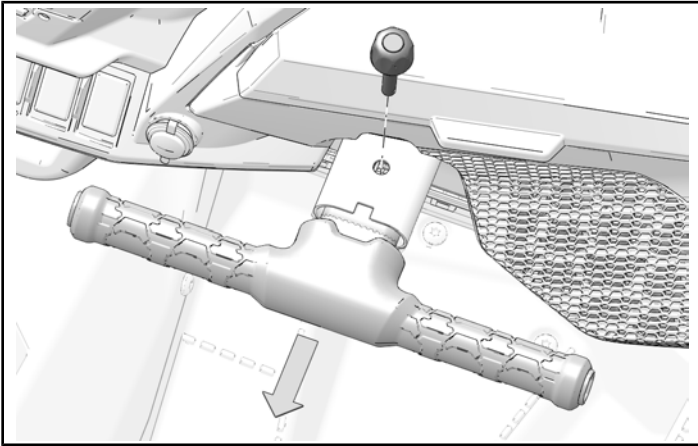


PASSENGER HANDLE REMOVAL

1. Open lever and remove retaining pin.

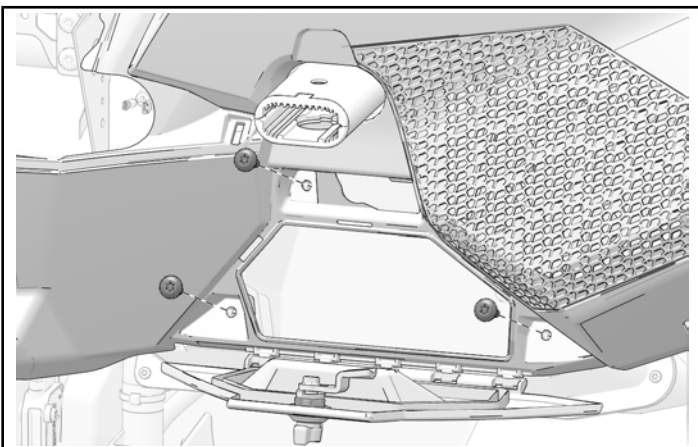


2. Remove top retaining pin to remove passenger handle.

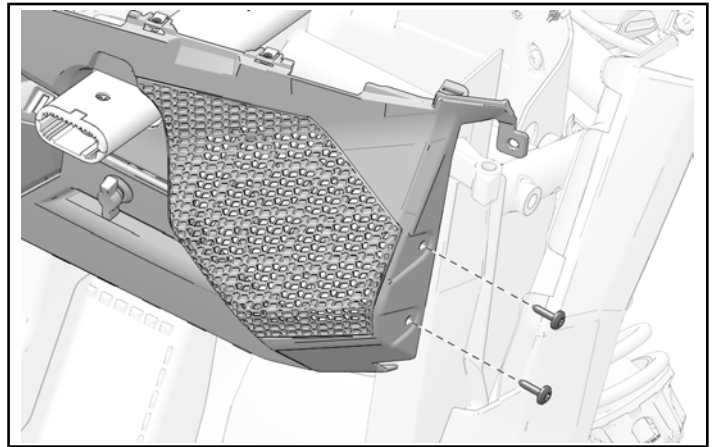


FRONT DASHBOARD REMOVAL

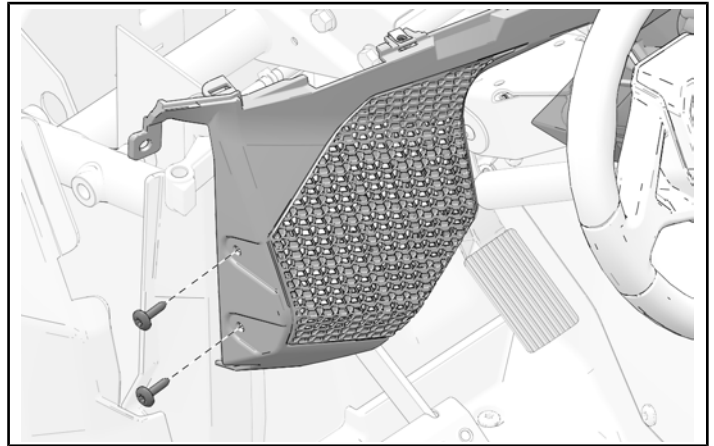
1. Open glove box and remove three fasteners.



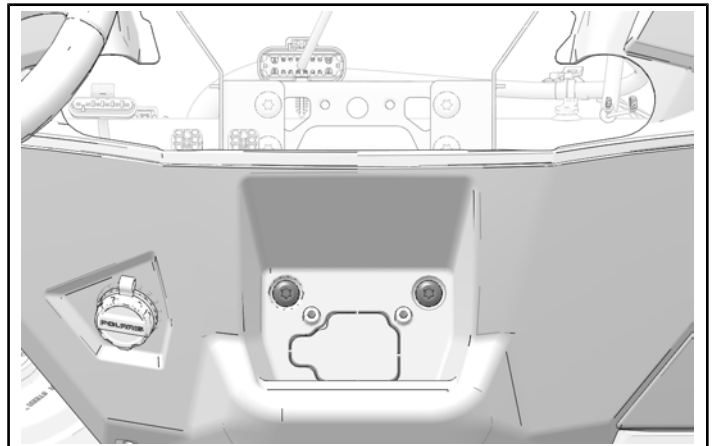
2. Remove and keep two fasteners from front dashboard.



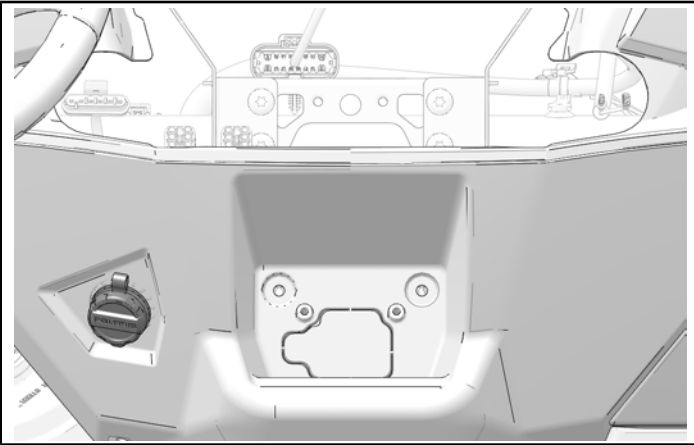
3. Remove and keep two fasteners from front dashboard.



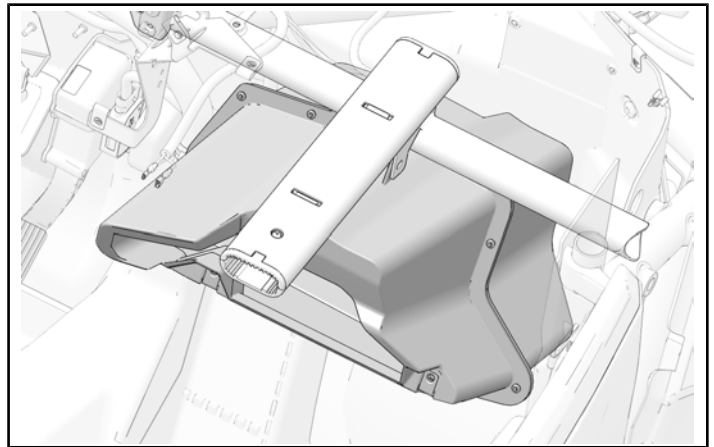
4. Remove two fasteners from front dashboard compartment.



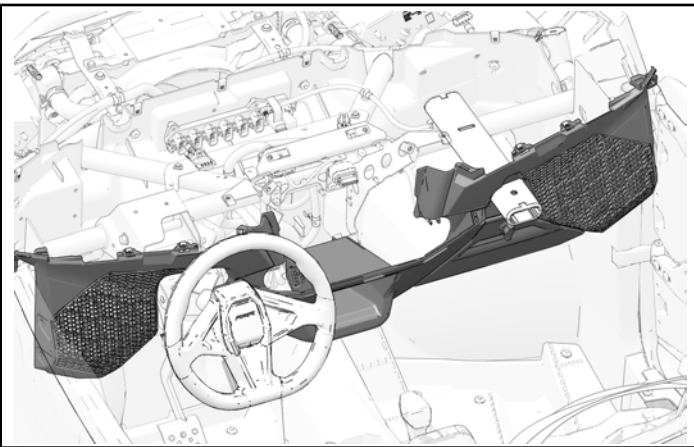
5. Disconnect accessory power port on left-hand side.



2. Remove glove box from vehicle.

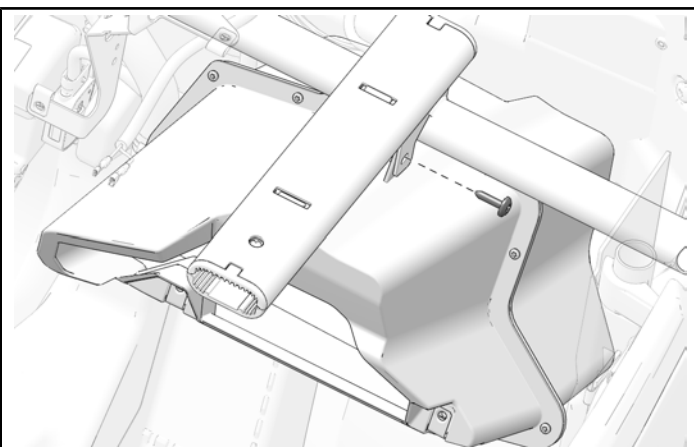


6. Remove dashboard from vehicle.



GLOVE BOX REMOVAL

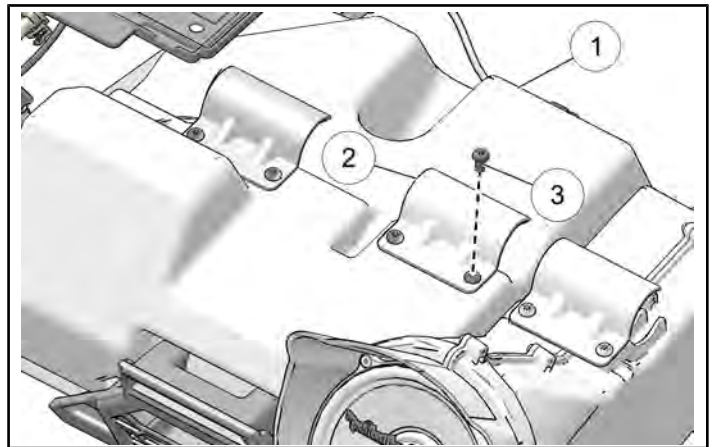
1. Remove one fastener, holding glove box to vehicle.



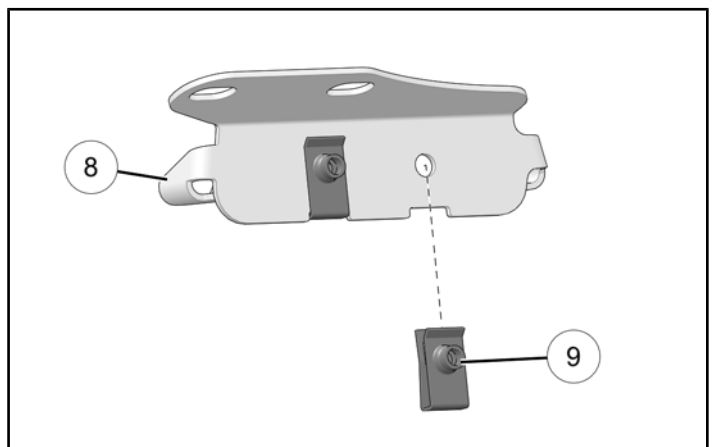
ACCESSORY INSTALLATION

SUBWOOFER ASSEMBLY

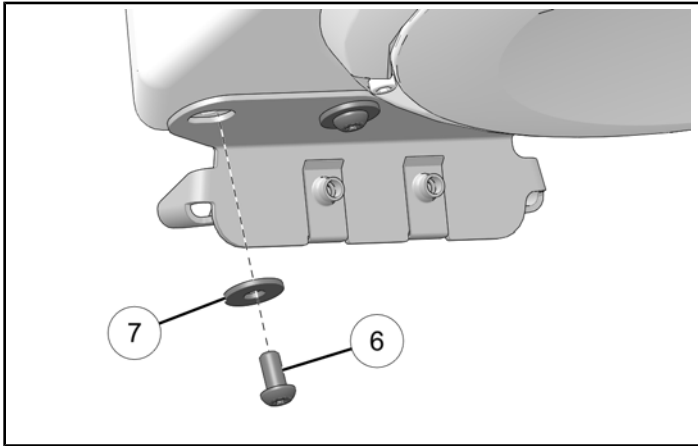
1. Loosely install two clamps ② to subwoofer ① with two fasteners ③ per clamp.



2. Install two U-nuts ⑨ onto mounting bracket ⑧.

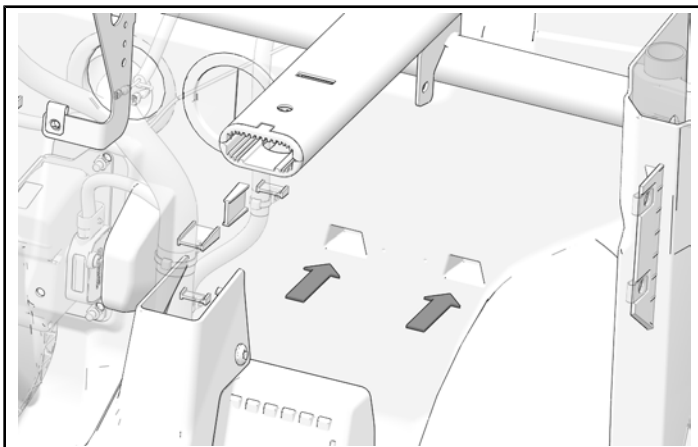


3. Install mounting bracket to bottom of subwoofer with two fasteners ⑥ and two washers ⑦. Torque fasteners until fully seated.



FRONT PANEL PREPARATION

1. Identify two indentations in front panel.



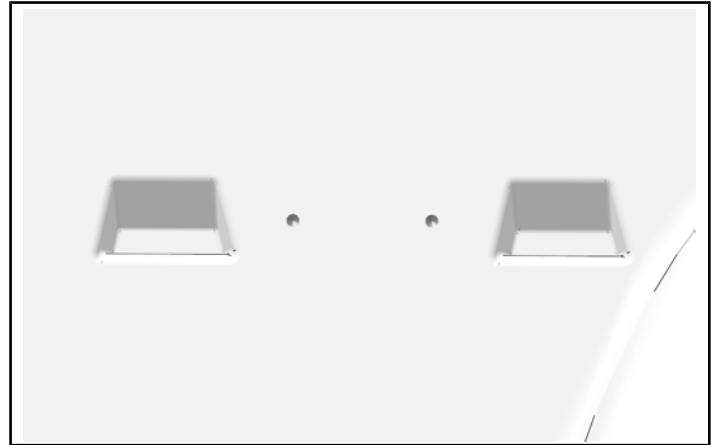
2. Drill two holes through dimples between indentations, identified in previous step.

MEASUREMENT

Drill Bit Size: 1/4 in (6 mm)

IMPORTANT

Control drill depth. Make sure drill bit is clear of all other parts and components to prevent damage to vehicle.



SUBWOOFER INSTALLATION

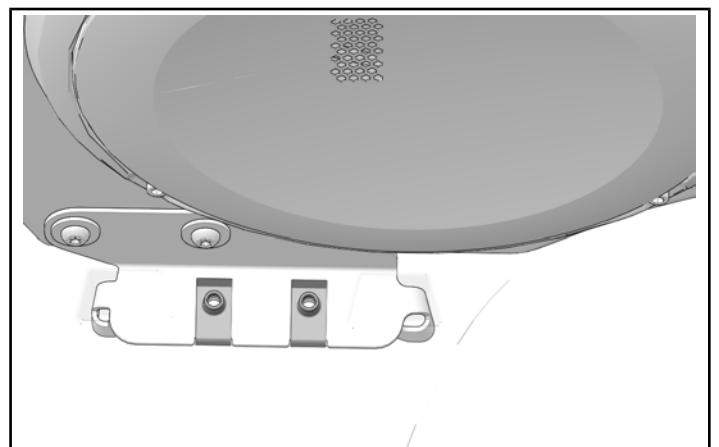
NOTICE

Antenna and other audio components hidden for clarity.

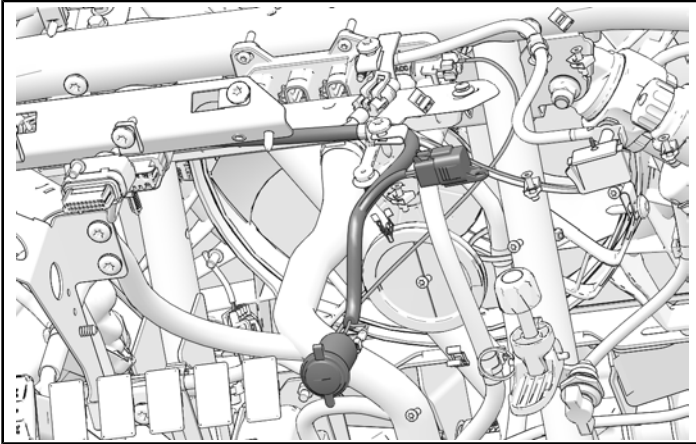
1. Install subwoofer in vehicle with mount in front panel.

NOTICE

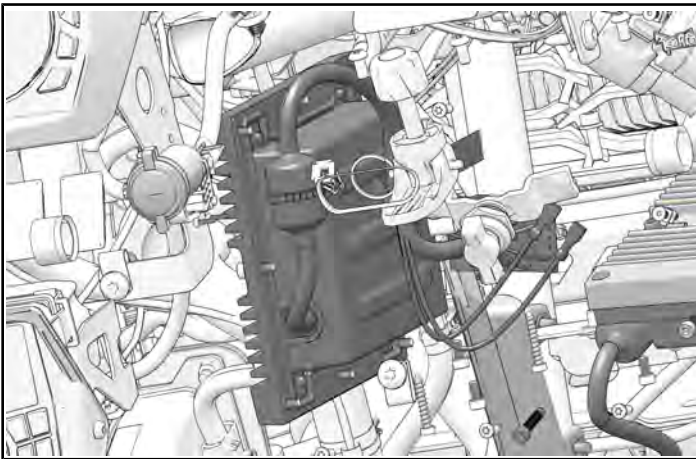
Make sure the harness does not get pinched before clamping the top mounting bracket.



2. Charging port and the dongle connector harness needs to be rerouted to clear the subwoofer housing.



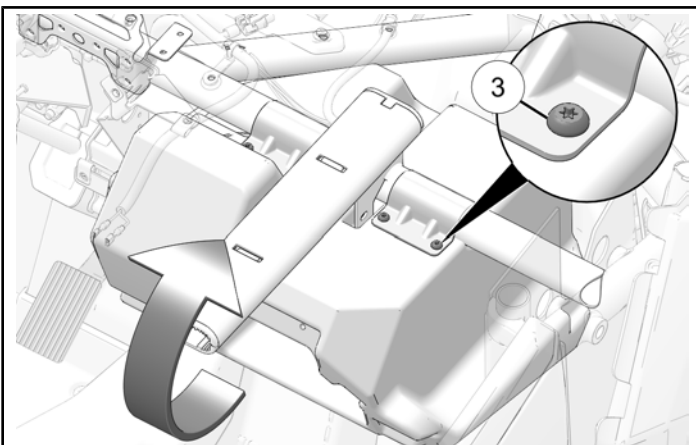
3. Make sure the ground wire does not get pressed between the subwoofer and speakers.



4. Tilt subwoofer upwards and hook clamps over chassis cross-beam, as shown. Torque clamp fasteners to specification.

TORQUE

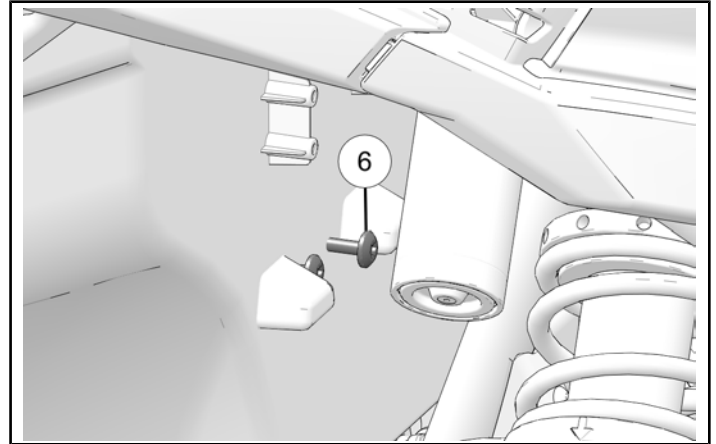
Clamp Fasteners ③:
35 in-lbs (4 N·m)



5. Install two fasteners ⑥ through front panel and into U-nuts on lower subwoofer mount. Torque fasteners to specification.

TORQUE

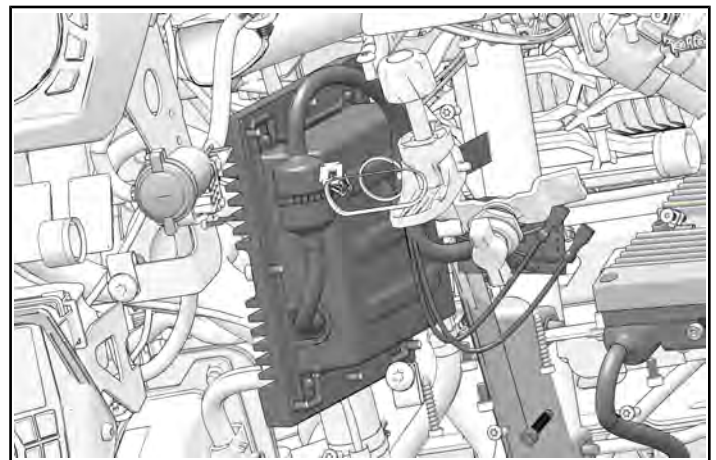
Mount Fasteners ⑥:
35 in-lbs (4 N·m)



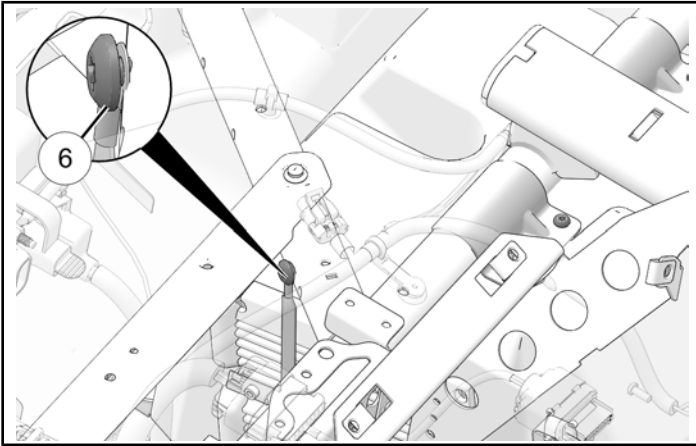
6. Install ground strap to the grab mounting bracket.

TORQUE

Ground Strap:
97 in-lbs (11 N·m)

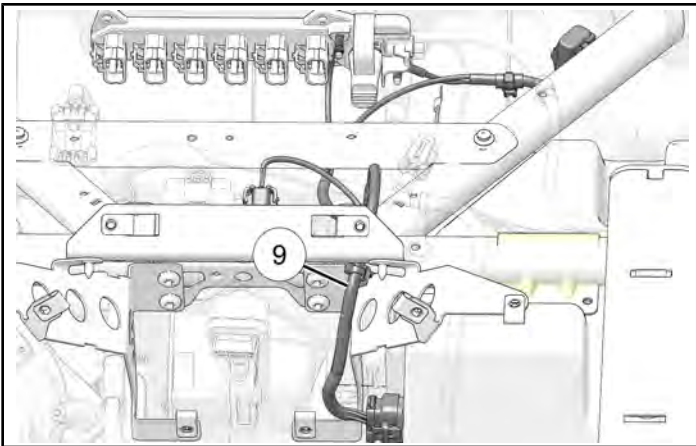


7. Install ground strap to chassis tube with one screw
⑥. Torque screw until fully seated.

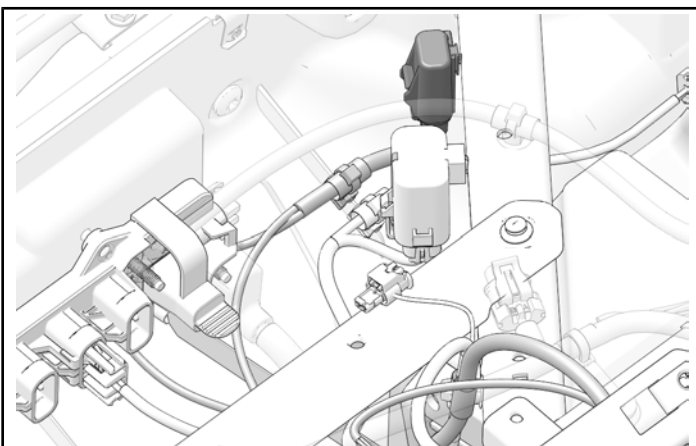


SUBWOOFER HARNESS INSTALLATION

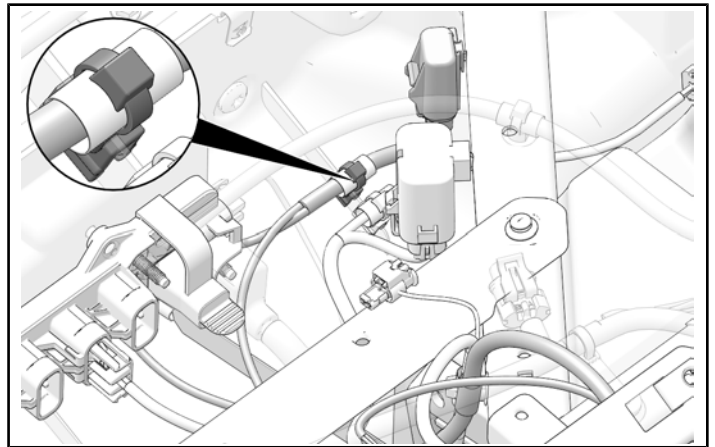
1. Install subwoofer harness ⑨ in vehicle.



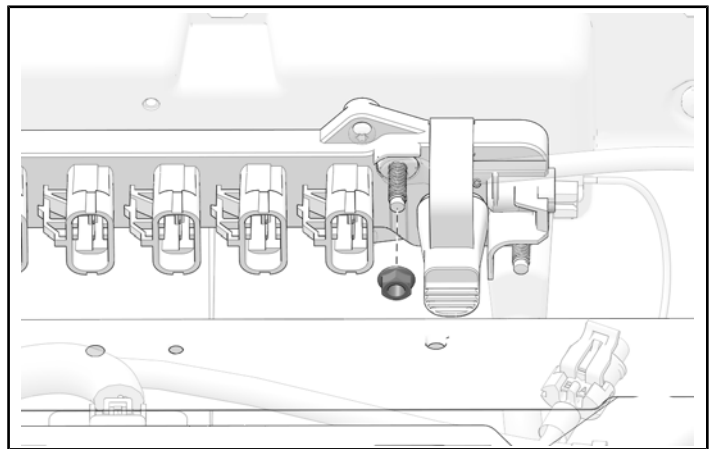
2. Install fuse relay to chassis tube, located to the right of the Polaris Pulse® bar.



3. Attach the harness to a ridge on the front panel.



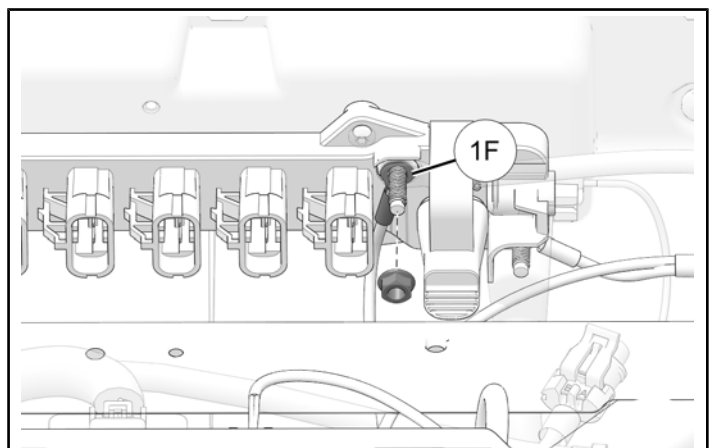
4. Remove and keep one nut from the negative terminal on the Polaris Pulse® bar.



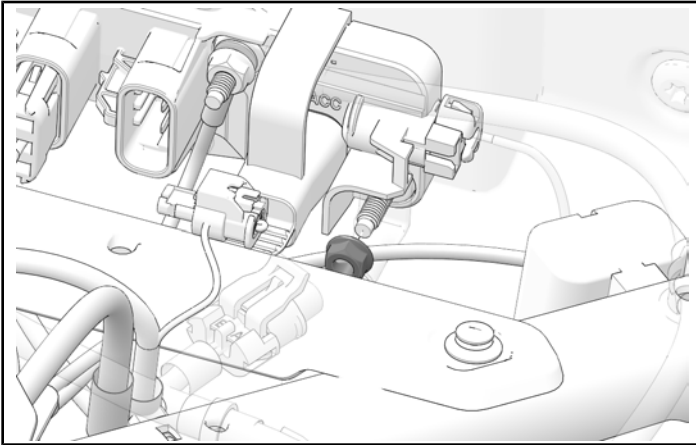
5. Install ground ring 1F (black) to negative terminal with retained nut. Torque nut to specification.

TORQUE

Polaris Pulse® Bar Nut:
44 in-lbs (5 N·m)



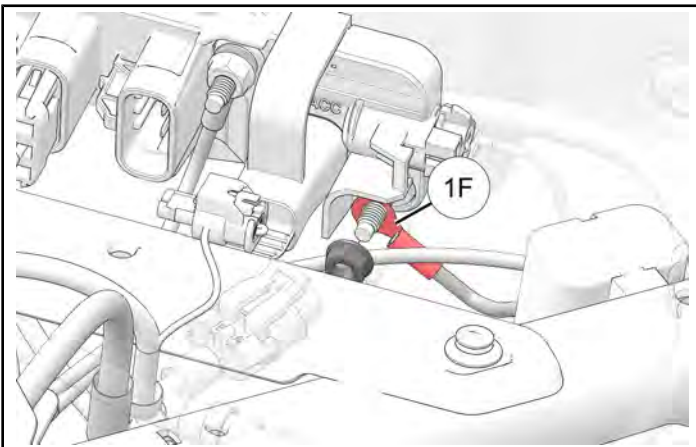
6. Remove and keep one nut from the positive terminal on the Polaris Pulse® bar.



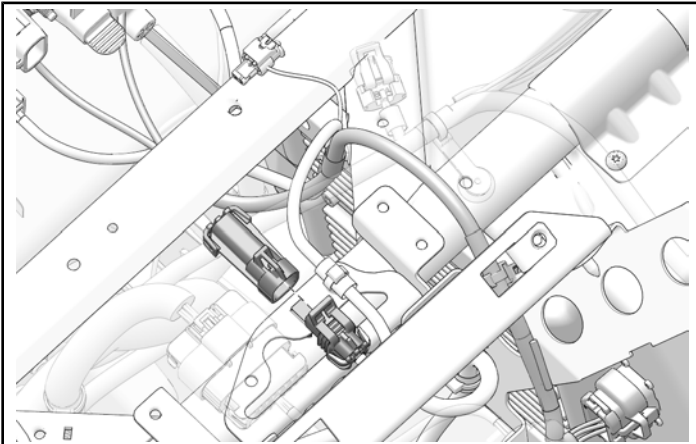
7. Install positive ring **1F** (red) to positive terminal with retained nut. Torque nut to specification.

TORQUE

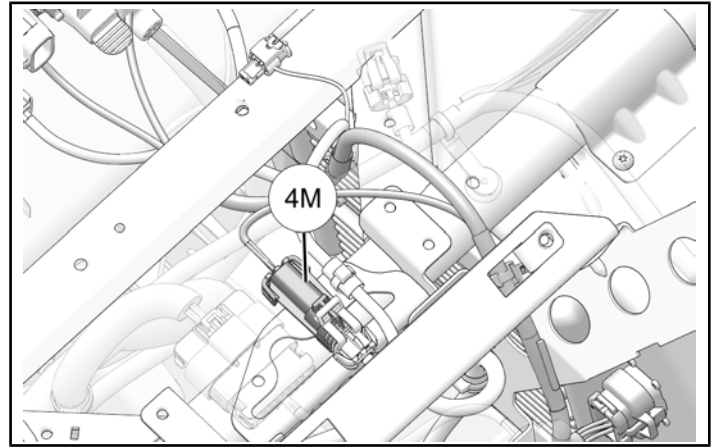
Polaris Pulse® Bar Nut:
44 in-lbs (5 N·m)



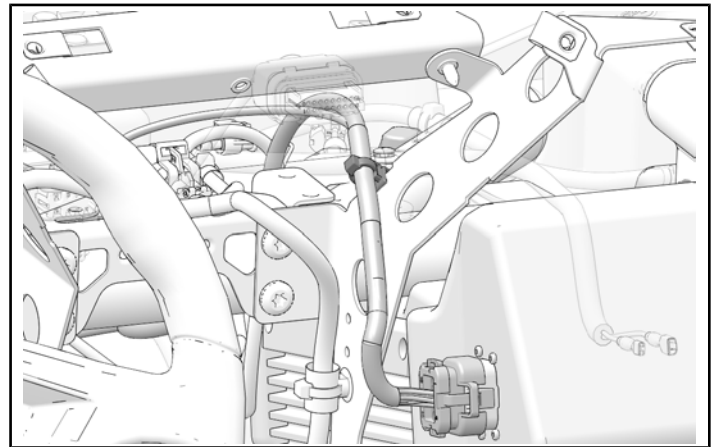
8. Remove and discard cap from subwoofer connector on PMX or Ride Command® harness.



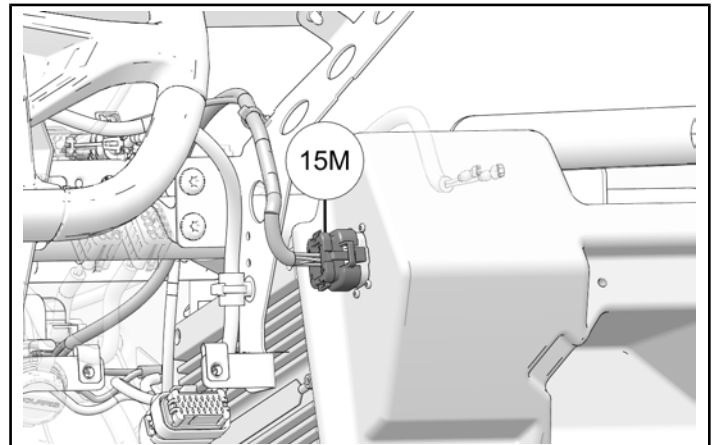
9. Install line-in connector **4M** to audio harness.



10. Install subwoofer harness under brackets, as shown, and connect to right-hand bracket with one edge clip.

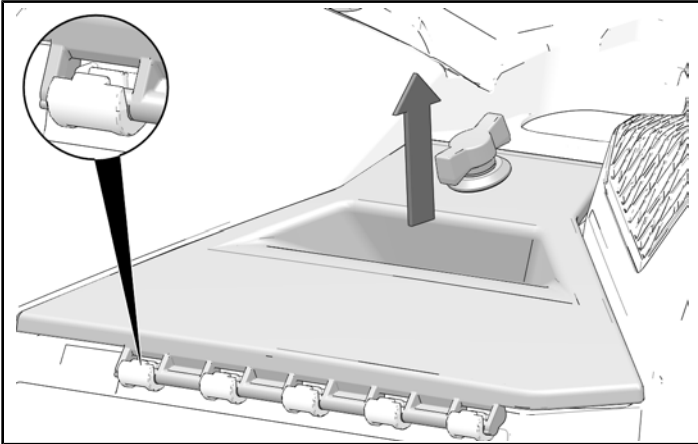


11. Install subwoofer connector **15M** to subwoofer.

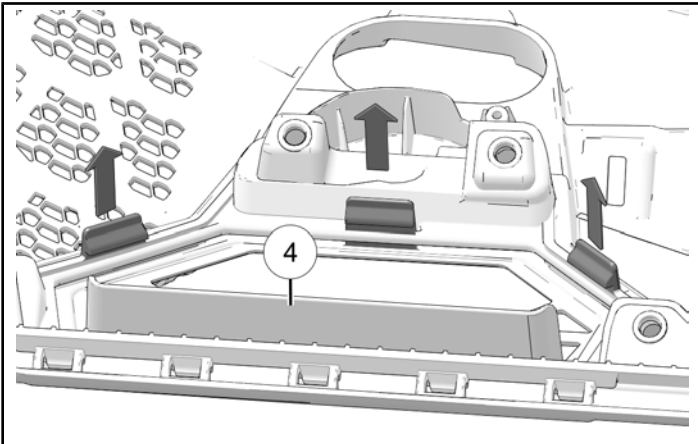


SUBWOOFER STORAGE NET INSTALLATION

1. Disengage storage compartment door at hinge location to remove from front dashboard panel.

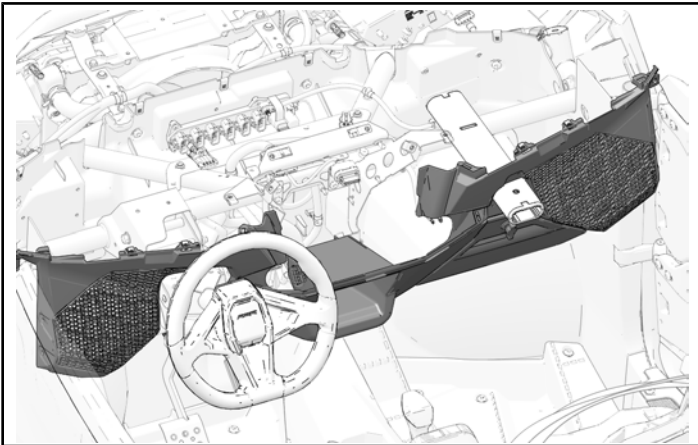


2. Align storage net ④ with front dashboard and pull three rubber ends through openings in dashboard.

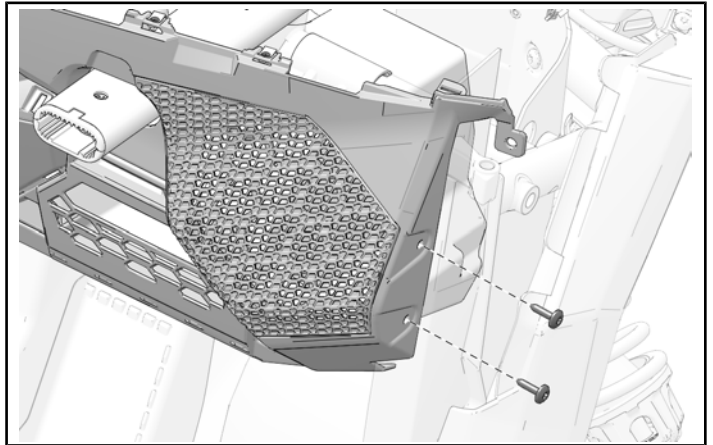


FRONT DASHBOARD INSTALLATION

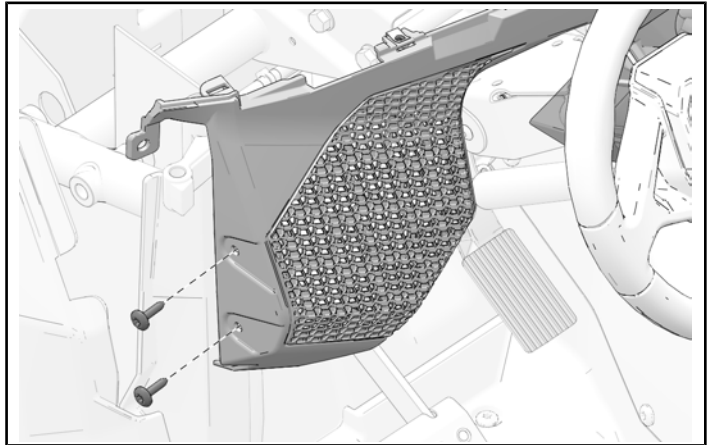
1. Put front dashboard into vehicle.



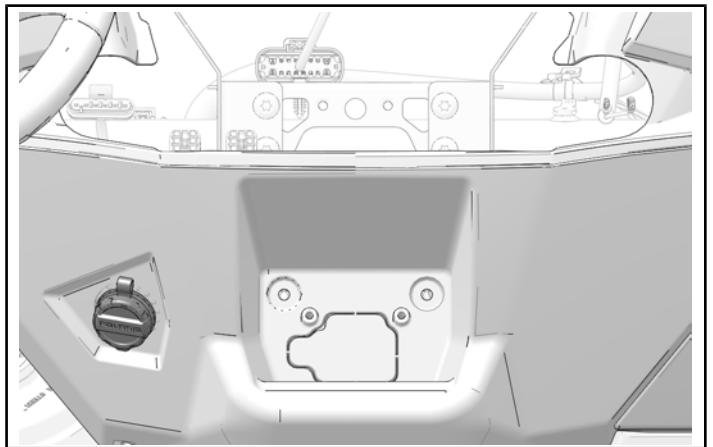
2. Install front dashboard with two fasteners.



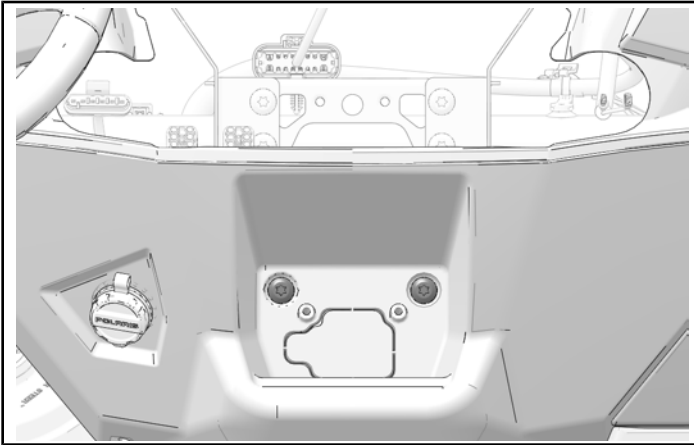
3. Install front dashboard with two fasteners.



4. Connect charging port on left-hand side.



- Ride Command® equipped vehicles only:
Install front dashboard with two fasteners.



- Torque the dashboard fasteners to specification.

TORQUE

Front Dashboard Fasteners:
88 in-lbs (10 N·m)

SUBWOOFER STORAGE NET INSTALLATION CONTINUED

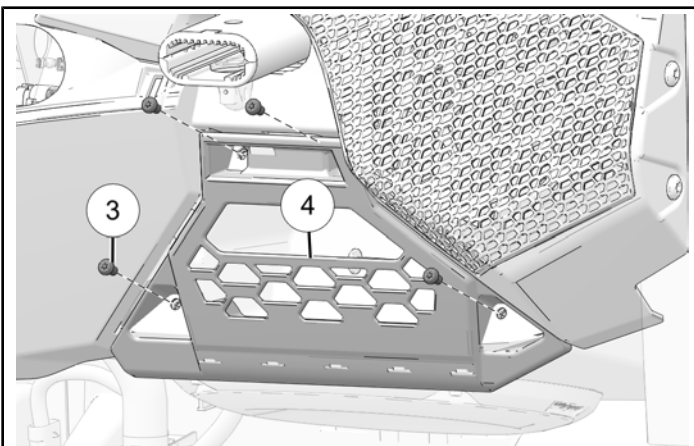
- Install storage net ④ with four fasteners ③. Torque fasteners until fully seated.

TIP

Place lower dash in vehicle unsecured, install sub net on the lower dash and install lower dash to sub enclosure with four mounting screws.

TIP

If holes through net, dashboard and sub woofer do not align, adjustments can be made by loosening the upper and lower sub enclosure mounting hardware to gain a greater range of movement to line up mounting holes.



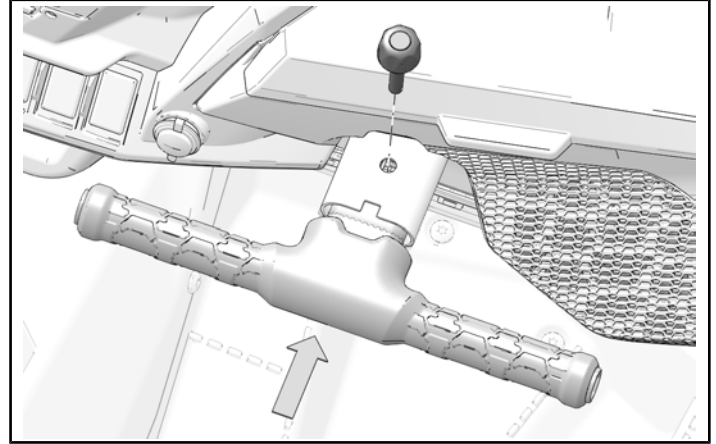
VEHICLE REASSEMBLY

PASSENGER HANDLE INSTALLATION

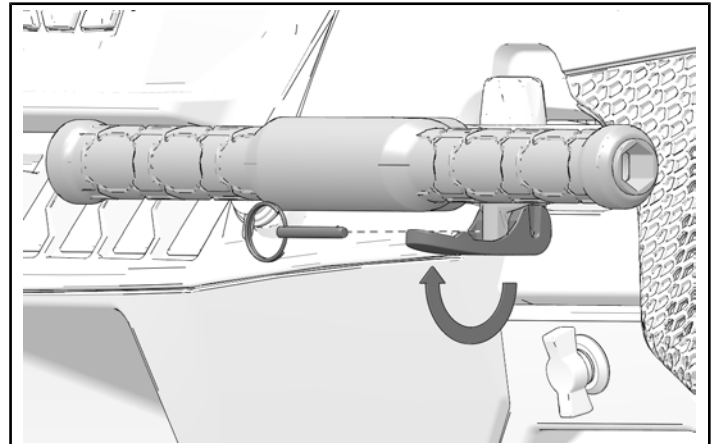
- Install passenger handle with top retaining pins.

TIP

Side pin installs into top pin.

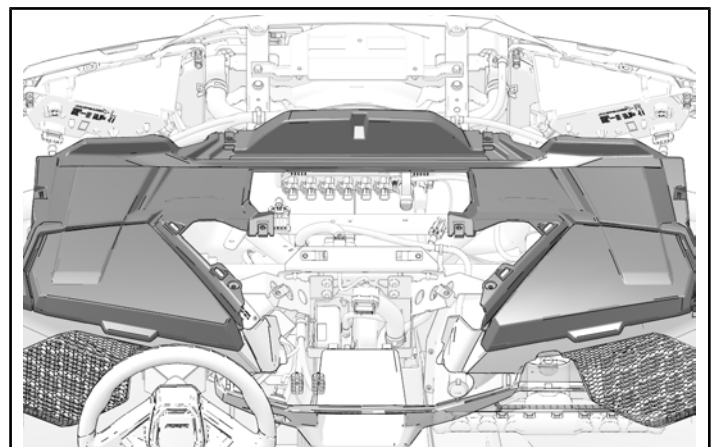


- Align lever with top retaining pin and install side retaining pin.

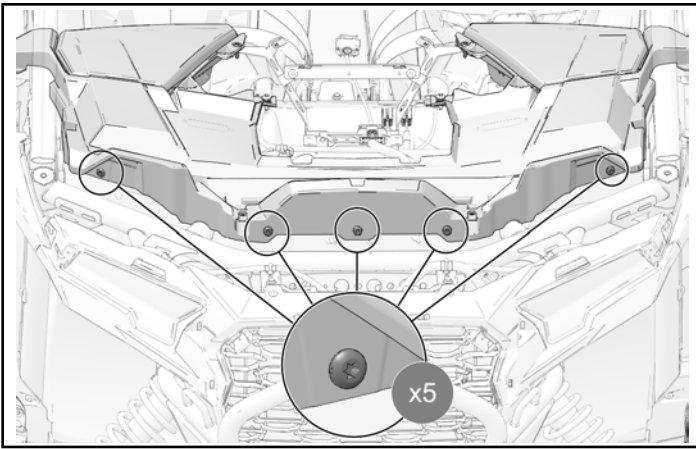


UPPER DASHBOARD INSTALLATION

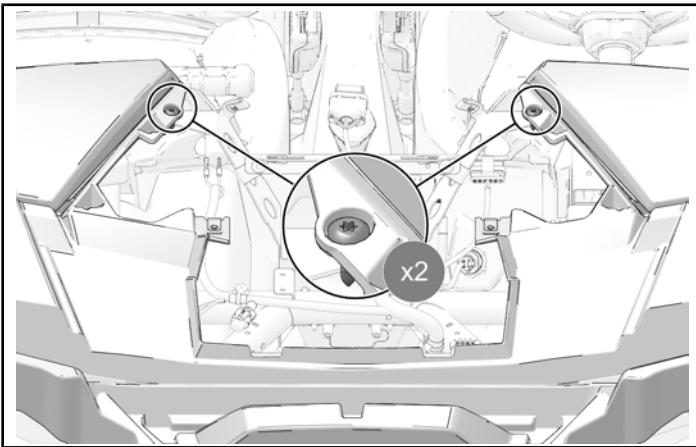
- Put the upper dashboard panel into the vehicle.



2. Install upper dashboard with five fasteners.



3. Install upper dashboard with two fasteners.

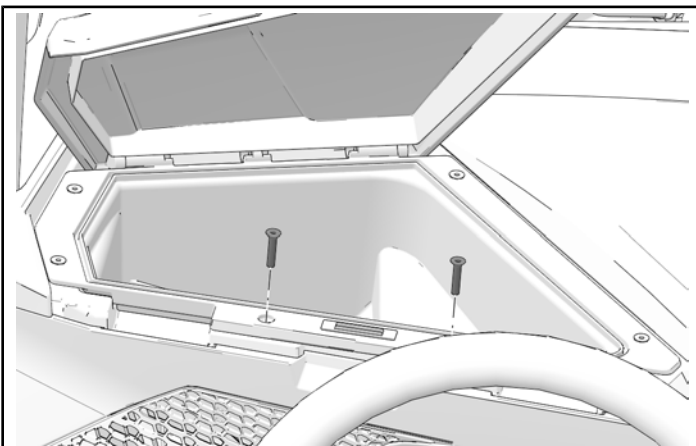


4. Torque the seven dashboard fasteners to specification.

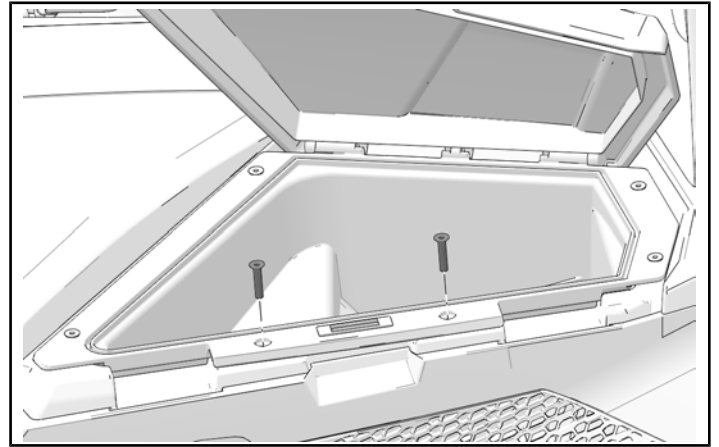
TORQUE

Upper Dashboard Fasteners:
88 in-lbs (10 N·m)

5. Install two storage compartment fasteners. Torque fasteners until fully seated.



6. Install two storage compartment fasteners. Torque fasteners until fully seated.

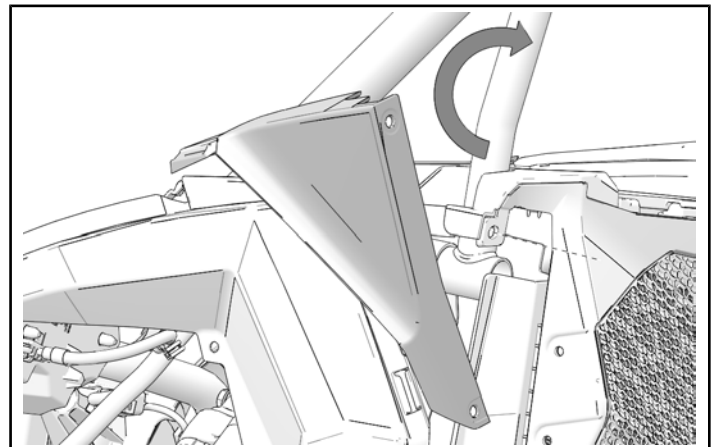


REAR POCKET FENDER INSTALLATION

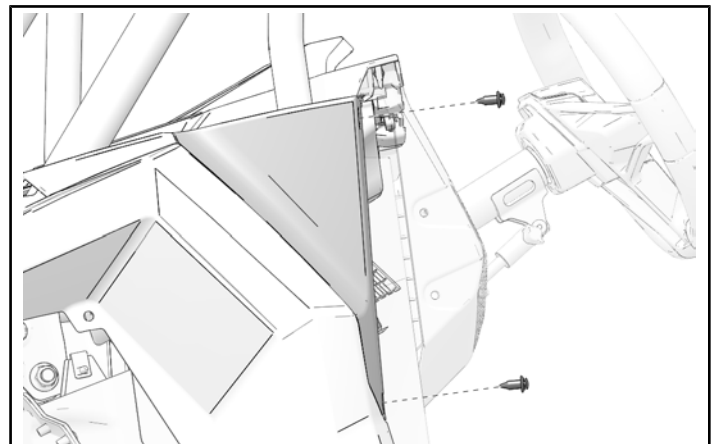
NOTICE

Left fender flare shown; right fender flare similar.

1. Rotate rear pocket fender towards vehicle body and slide into place.



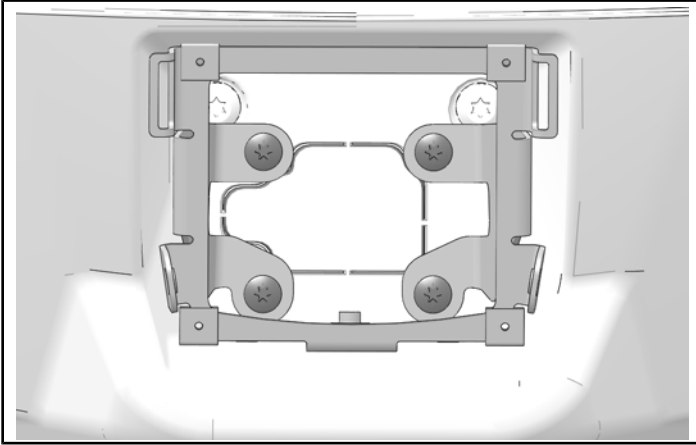
2. Attach rear pocket fender to vehicle using two push-pin rivets.



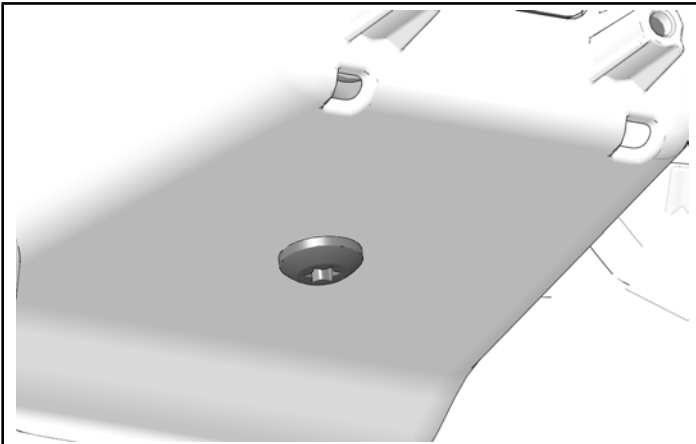
AUDIO HEAD UNIT INSTALLATION (IF APPLICABLE)

PMX HEAD UNIT INSTALLATION

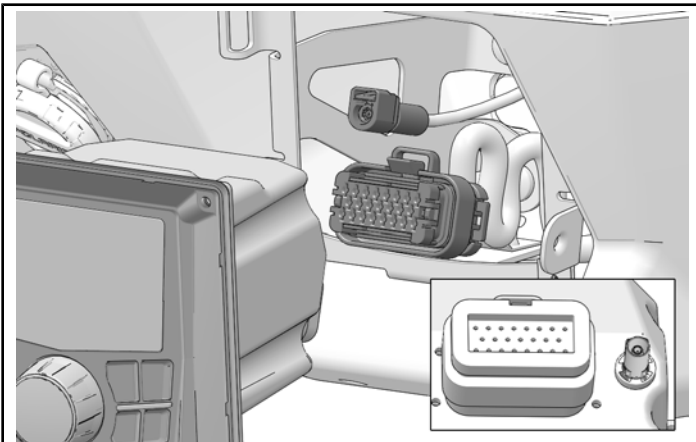
1. Install head unit bracket to front dashboard compartment with four fasteners. Torque fasteners until fully seated.



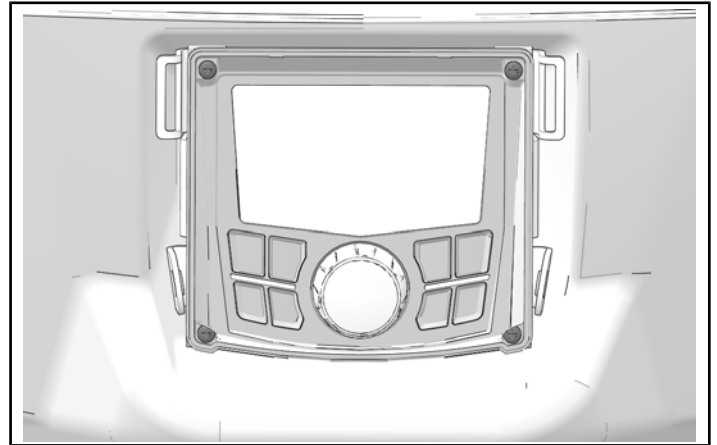
2. Install one fastener through hole and into U-nut. Torque fastener until fully seated.



3. Pull head unit connector and antenna connector from dashboard opening and install into the back of the head unit.



4. Install head unit to bracket with four retained fasteners. Torque fasteners until fully seated.

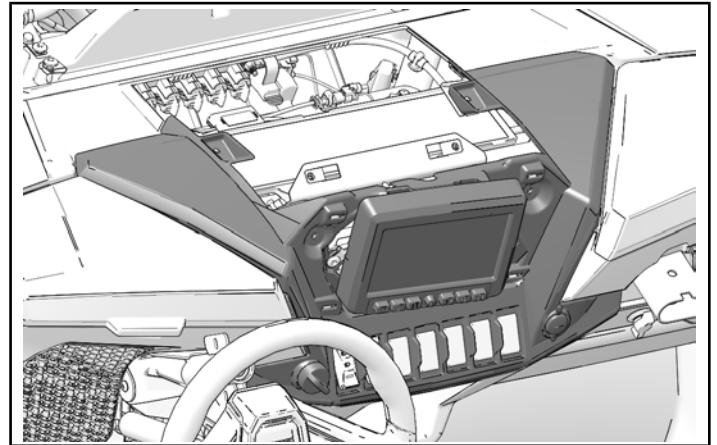


5. Install bezel to head unit bracket with two fasteners. Torque fasteners until fully seated.

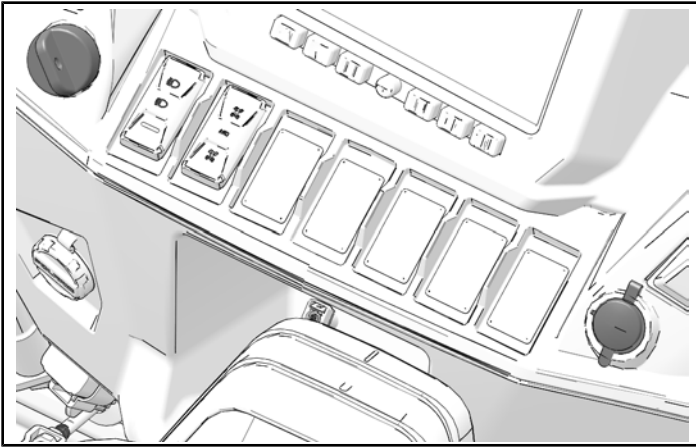


BEZEL INSTALLATION

1. Put bezel near dashboard. Reach behind bezel and connect all electrical connections.

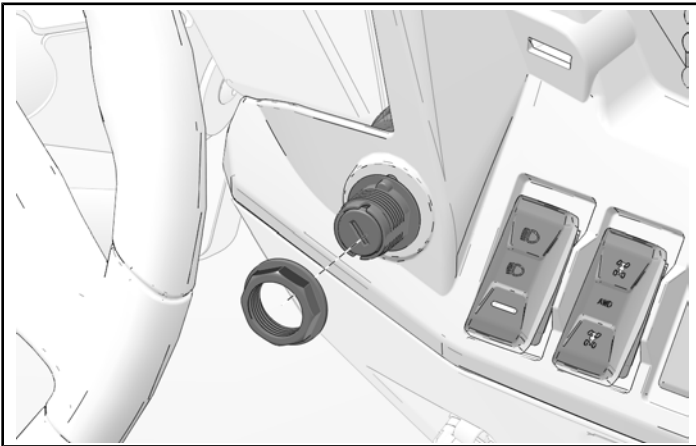


2. Install 12 V port on right-hand side.

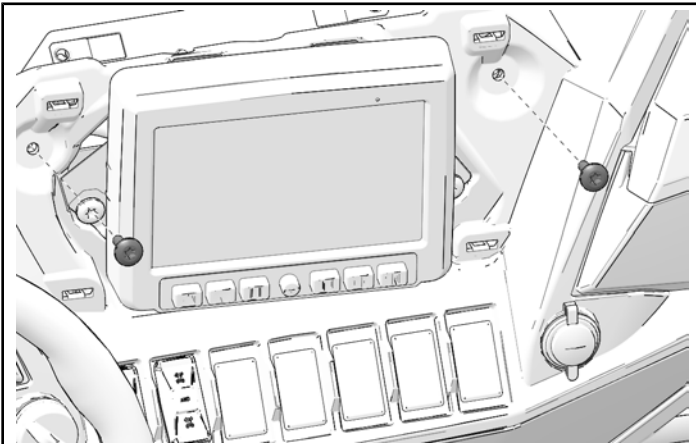


3. Push bezel into dashboard so that clips engage with dashboard.

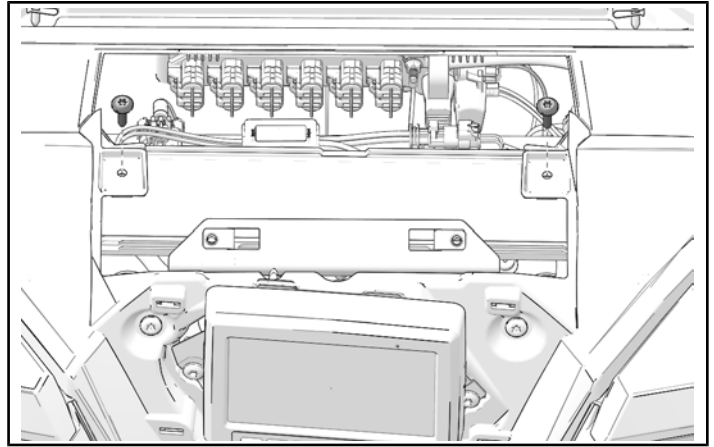
4. Install ignition switch retaining nut. Torque nut until fully seated.



5. Install bezel with two lower bezel fasteners.



6. Install bezel with two upper fasteners.



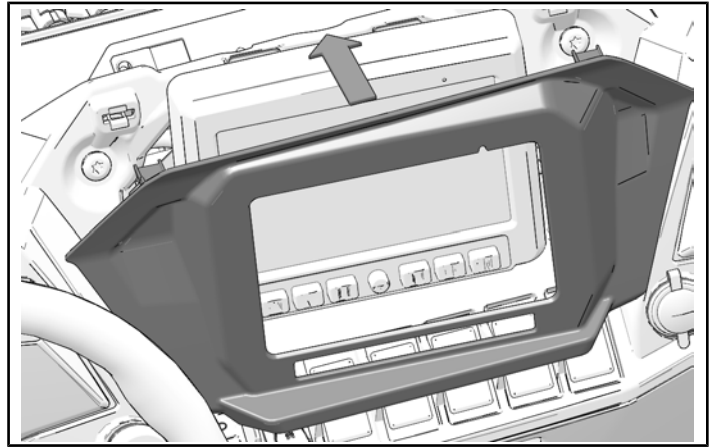
7. Torque four bezel fasteners to specification.

TORQUE

Bezel Fasteners:
88 in-lbs (10 N·m)

BEZEL COVER INSTALLATION

1. Pull bezel cover into dashboard panel at each corner, making sure each clip engages with dashboard.

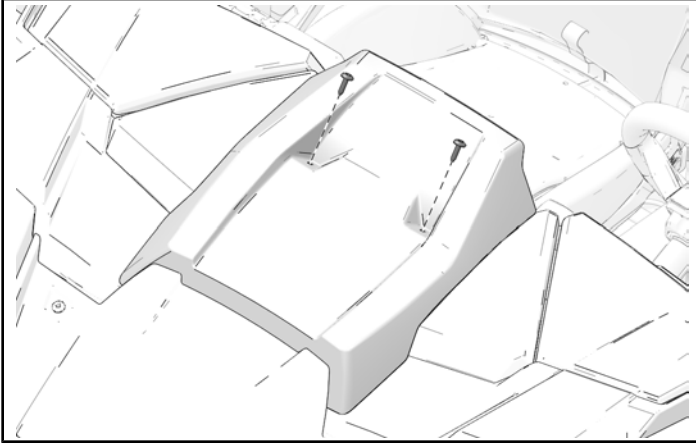


DASHBOARD CENTER INSTALLATION

1. Install center dashboard panel with two retained fasteners. Torque fasteners to specification.

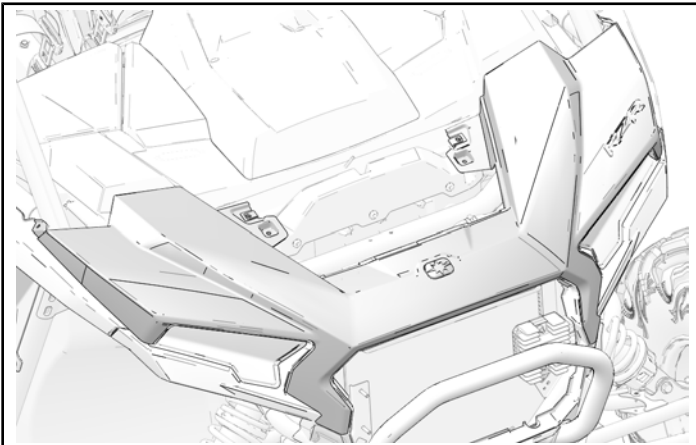
TORQUE

Dashboard Fasteners:
88 in-lbs (10 N·m)



OUTER HOOD INSTALLATION

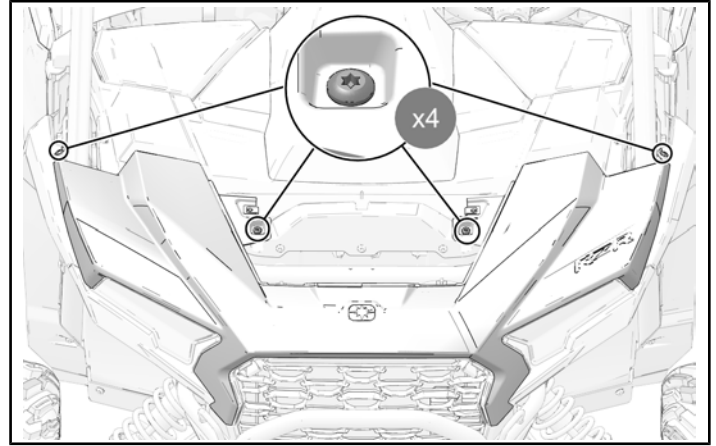
1. Put outer hood on vehicle in installed position.



2. Install outer hood fasteners with four retained fasteners. Torque the four fasteners to specification.

TORQUE

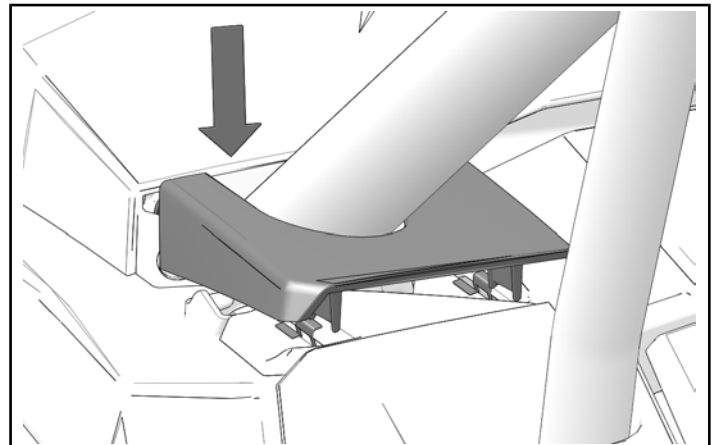
Outer Hood Fasteners
88 in-lbs (10 N·m)



3. Place front pocket fender around ROPS bar and into outer hood slots.

NOTICE

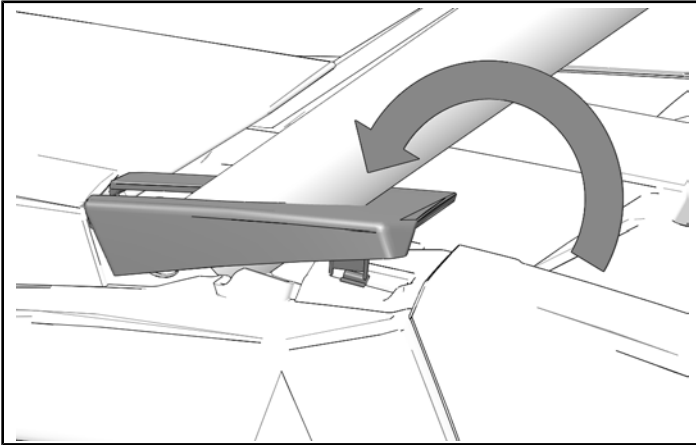
Left side shown, right side similar.



4. Gently push tab into clips until front pocket fender is secure.

NOTICE

Left side shown, right side similar.

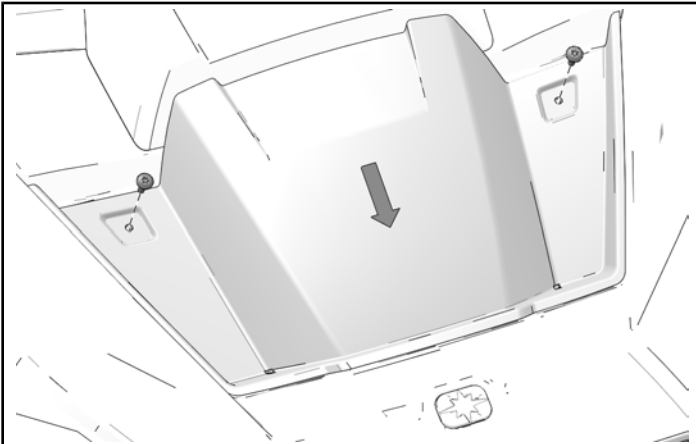


HOOD INSTALLATION

1. Move hood forward, into outer hood panel, and install with two retained fasteners. Torque fasteners to specification.

TORQUE

Hood Fasteners:
88 in-lbs (10 N·m)



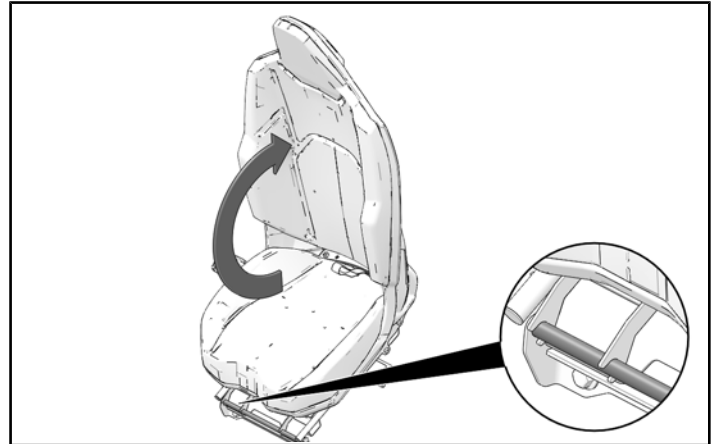
INSTRUCTION FEEDBACK FORM

A feedback form has been created for the installer to provide any comments, questions or concerns about the installation instructions. The form is viewable on mobile devices by scanning the QR code or by clicking [HERE](#) if viewing on a PC.



SEAT INSTALLATION

1. Put seat in vehicle with front resting on tube, as shown. Push seat back until it engages with rear tube.



BATTERY CONNECT

1. Put negative battery cable on battery and torque nut to specification.

TORQUE

Battery Nut:
26 ft-lbs (35 N·m)

