

# STAGE 2 AUDIO KIT



P/N 2884561

## BEFORE YOU BEGIN

Read these instructions and check to be sure all parts and tools are accounted for. Please retain these installation instructions for future reference and parts ordering information.

## APPLICATION

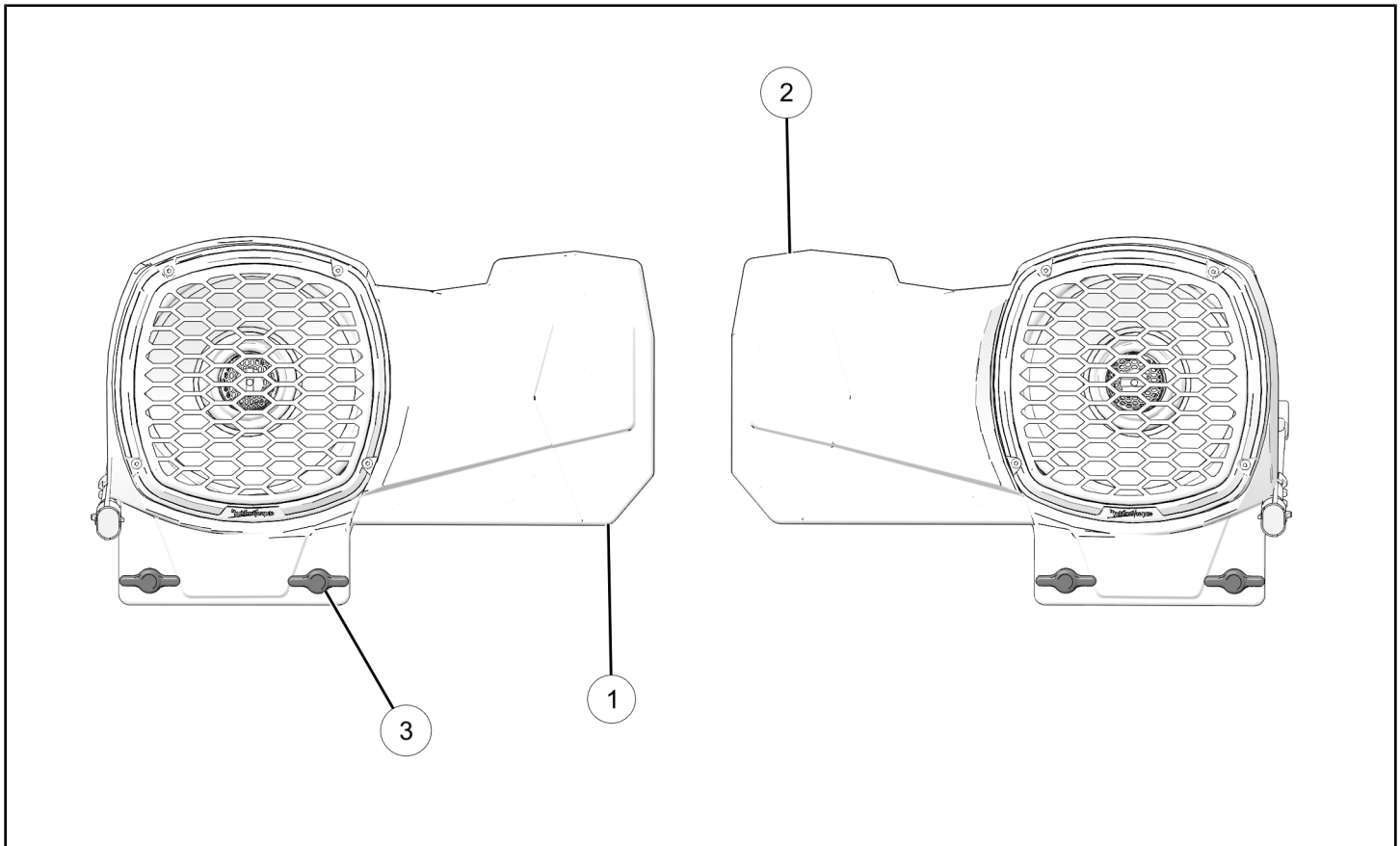
Verify accessory fitment at [www.polaris.com](http://www.polaris.com).

## REQUIRED SOLD SEPARATELY

Only parts for installation of the Stage 2 Audio Kit are included. Prior installation of one of the following audio configurations is also required (sold separately):

- *PMX Audio*
- *Ride Command® Audio*

## KIT CONTENTS



1	1	Assembly–Rear Speaker, Right-Hand	2416446
2	1	Assembly–Rear Speaker, Left-Hand	2416445
3	4	Knob– M6 x 1.0 x 15 mm	7521155

## TOOLS REQUIRED

- Safety Glasses
- Drill
- Hex Key Set, Metric
- Pliers, Push Pin Rivet
- Socket Set, Hex Bit, Metric
- Socket Set, Metric
- Socket Set, Torx® Bit
- Torque Wrench
- Wrench, Adjustable, 10 in
- Wrench Set, Metric

## IMPORTANT

Your Stage 2 Audio Kit is exclusively designed for your vehicle. Please read the installation instructions thoroughly before beginning. Installation is easier if the vehicle is clean and free of debris. For your safety, and to ensure a satisfactory installation, perform all installation steps correctly in the sequence shown.

## INSTALLATION INSTRUCTIONS

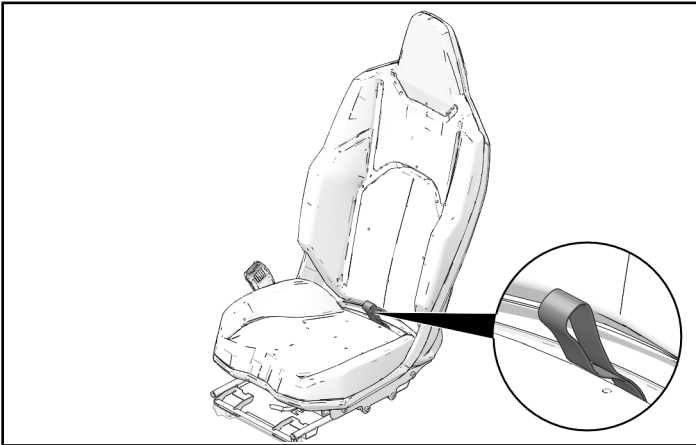
### VEHICLE PREPARATION

#### GENERAL

1. Park vehicle on a flat surface.
2. Shift vehicle into PARK.
3. Turn key to OFF position and remove key.

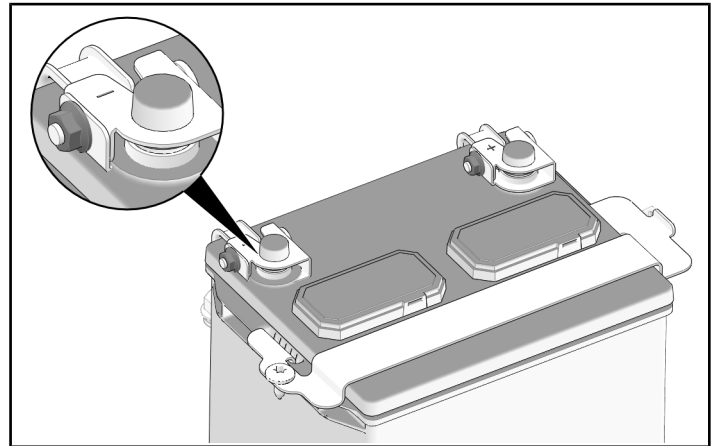
#### SEAT REMOVAL

1. Pull strap to disengage seat. Tilt seat forward and remove from vehicle.



#### BATTERY DISCONNECT

1. Loosen nut on negative battery terminal and remove negative battery cable from battery.



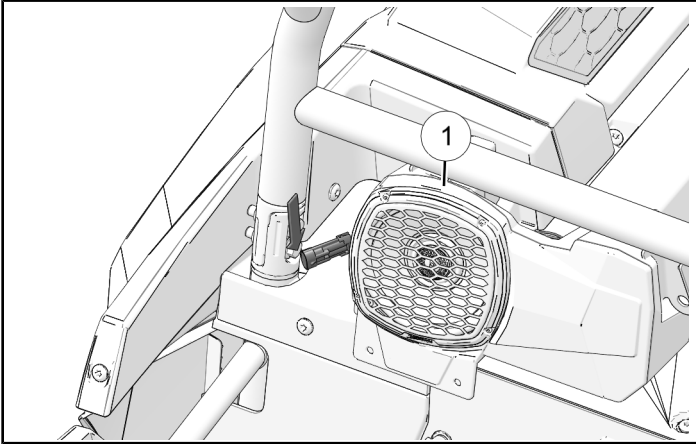
## ACCESSORY INSTALLATION

### REAR SPEAKER INSTALLATION

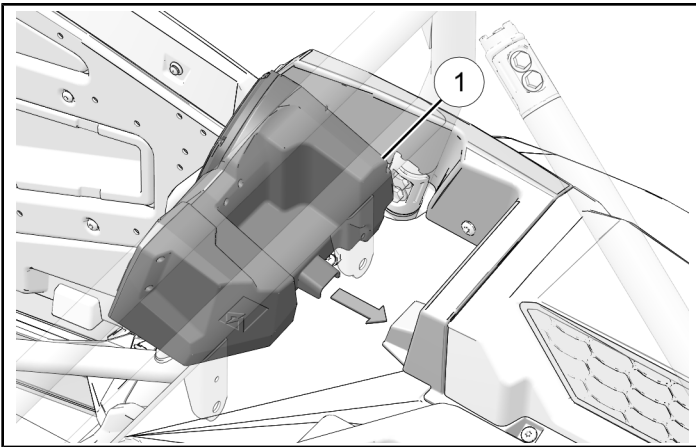
#### NOTICE

Right speaker shown; left speaker similar.

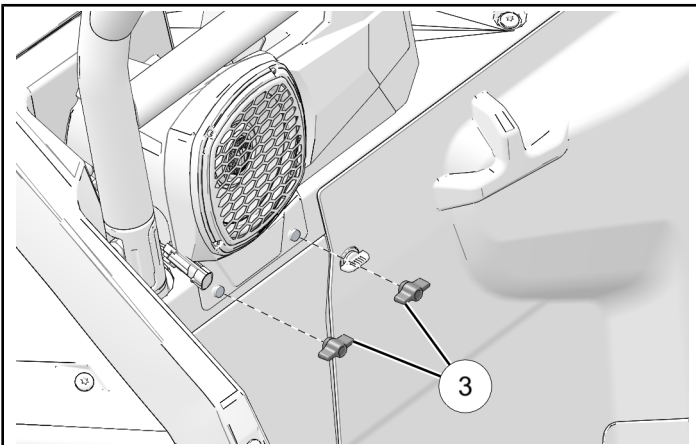
1. Put speaker ① on the vehicle, behind the seat. Carefully put the speaker harness between the plastic panel and roll-cage tube.



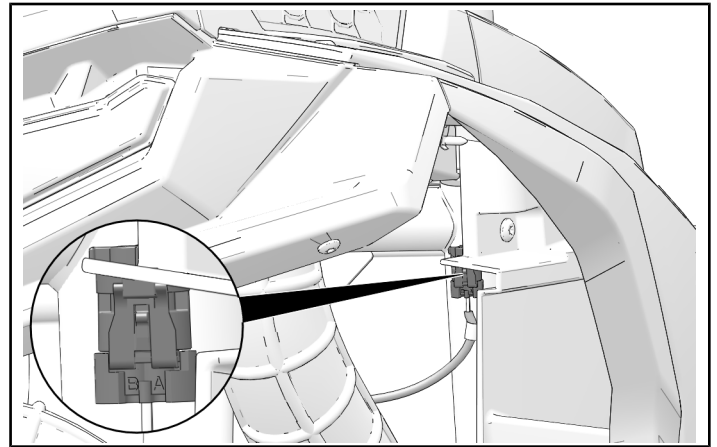
2. Reposition the speaker ① into the body plastic.



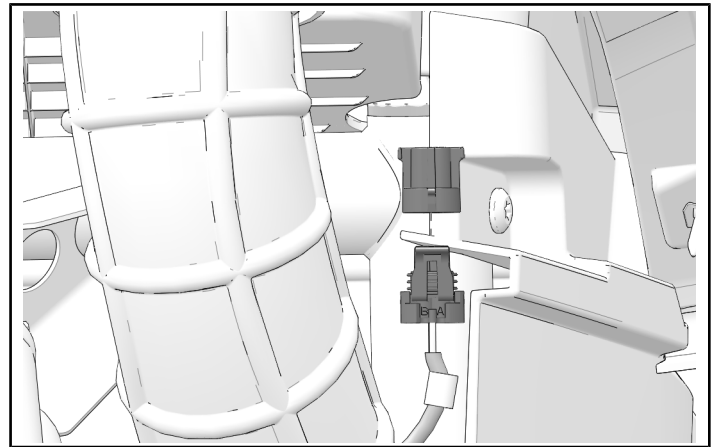
3. Install the speaker to the vehicle with two fasteners ③. Torque fasteners until fully seated.



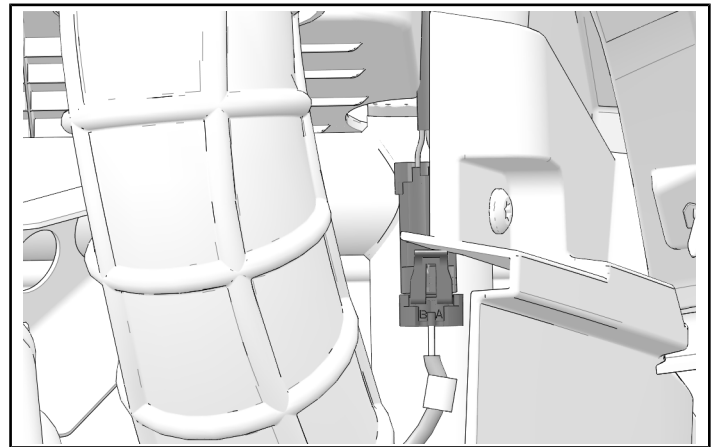
4. Identify the chassis harness speaker connector in the wheel well.



5. Remove the cap from the connector.



6. Install the speaker to the chassis harness.



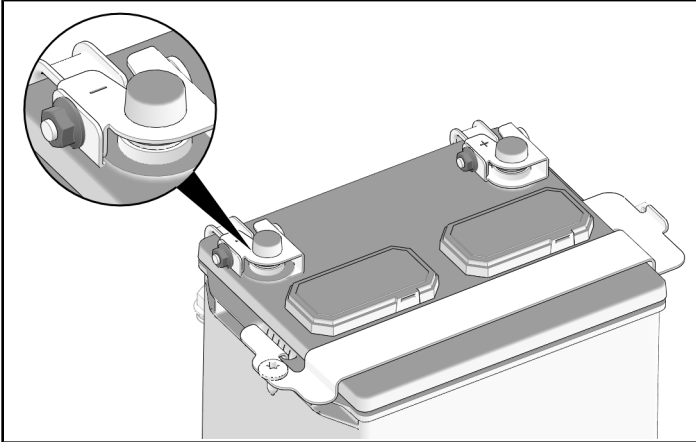
## VEHICLE REASSEMBLY

### BATTERY CONNECT

1. Put negative battery cable on battery and torque nut to specification.

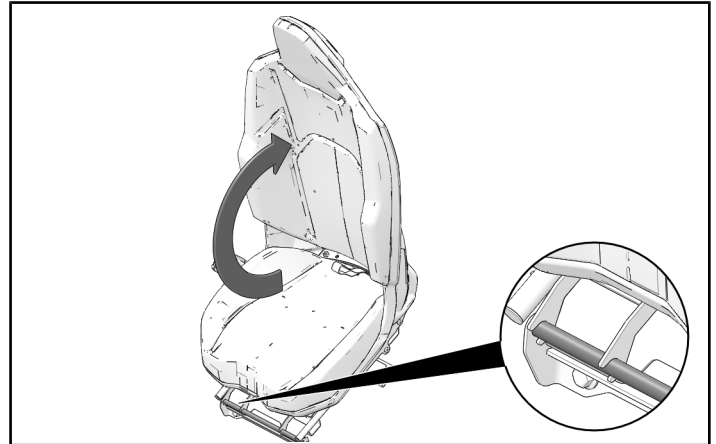
#### TORQUE

Battery Nut:  
**26 ft-lbs (35 N·m)**



### SEAT INSTALLATION

1. Put seat in vehicle with front resting on tube, as shown. Push seat back until it engages with rear tube.



### INSTRUCTION FEEDBACK FORM

A feedback form has been created for the installer to provide any comments, questions or concerns about the installation instructions. The form is viewable on mobile devices by scanning the QR code or by clicking [HERE](#) if viewing on a PC.

