

REAR BUMPER KIT



P/N 2884356, 2884357, 2884358

APPLICATION

Verify accessory fitment at www.polaris.com.

BEFORE YOU BEGIN

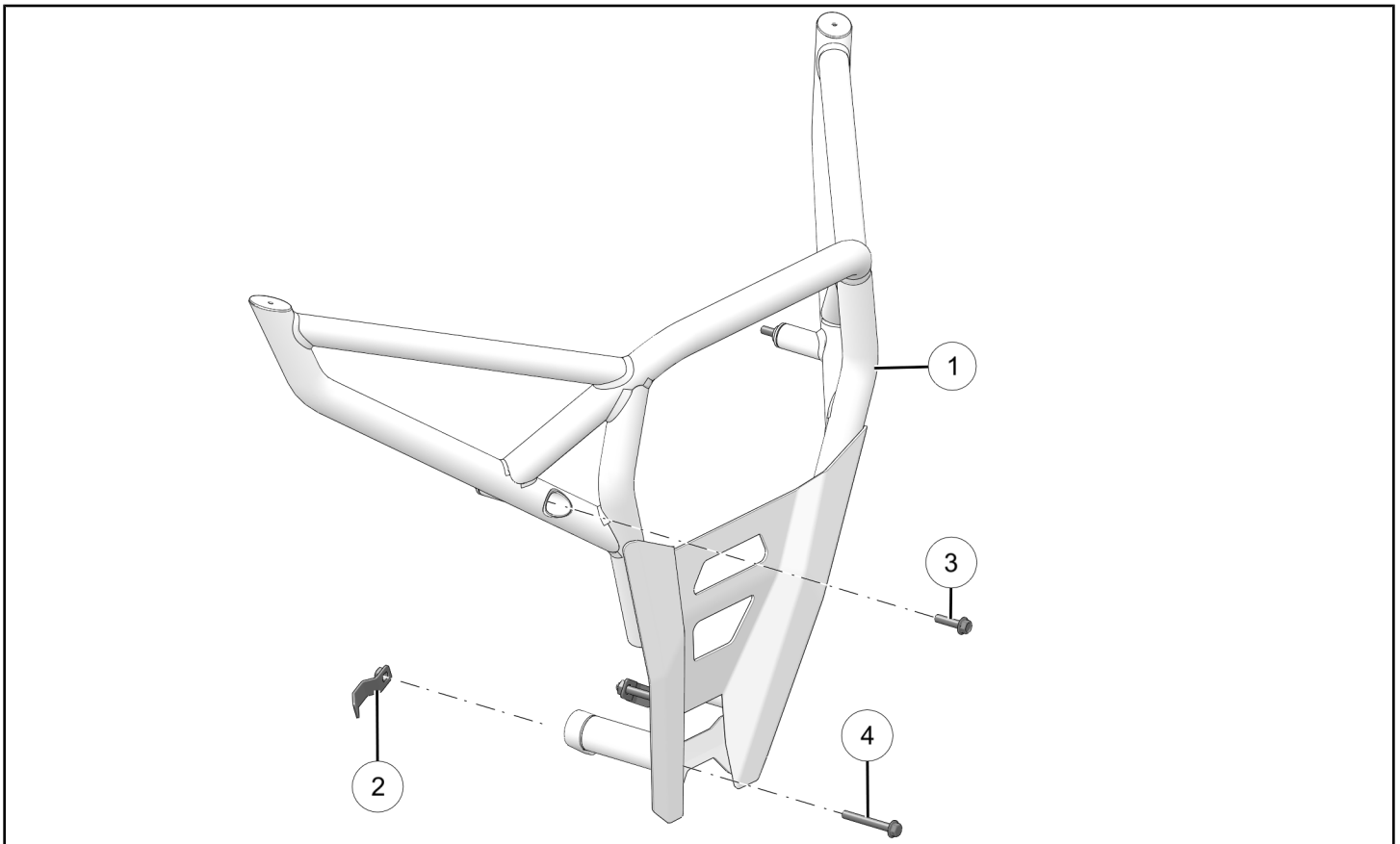
Read these instructions and check to be sure all parts and tools are accounted for. Please retain these installation instructions for future reference and parts ordering information.

KIT CONTENTS

NOTICE

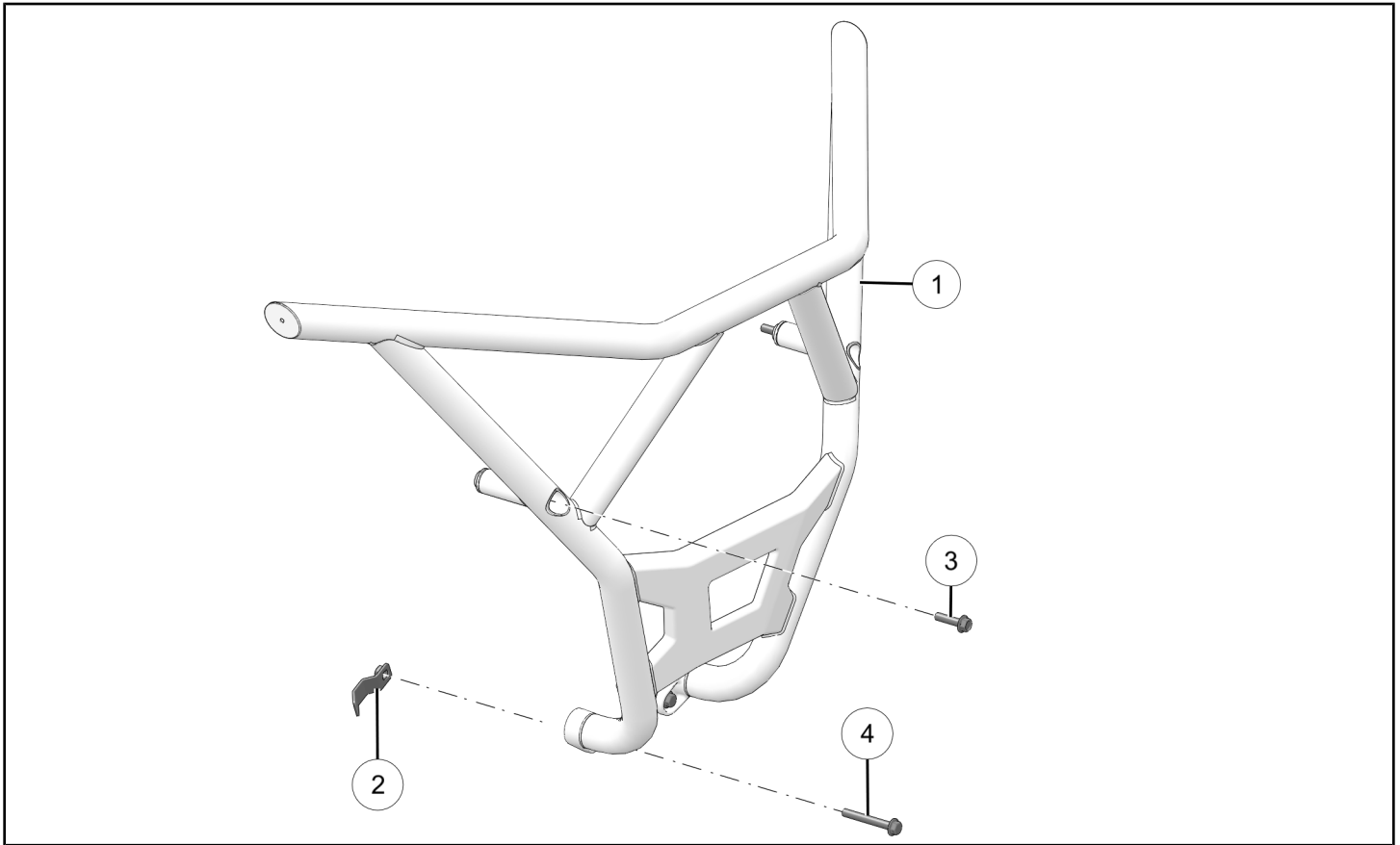
XXX = RZR® color code (For example: 458 = Black)

REAR BUMPER KIT, P/N 2884356-XXX



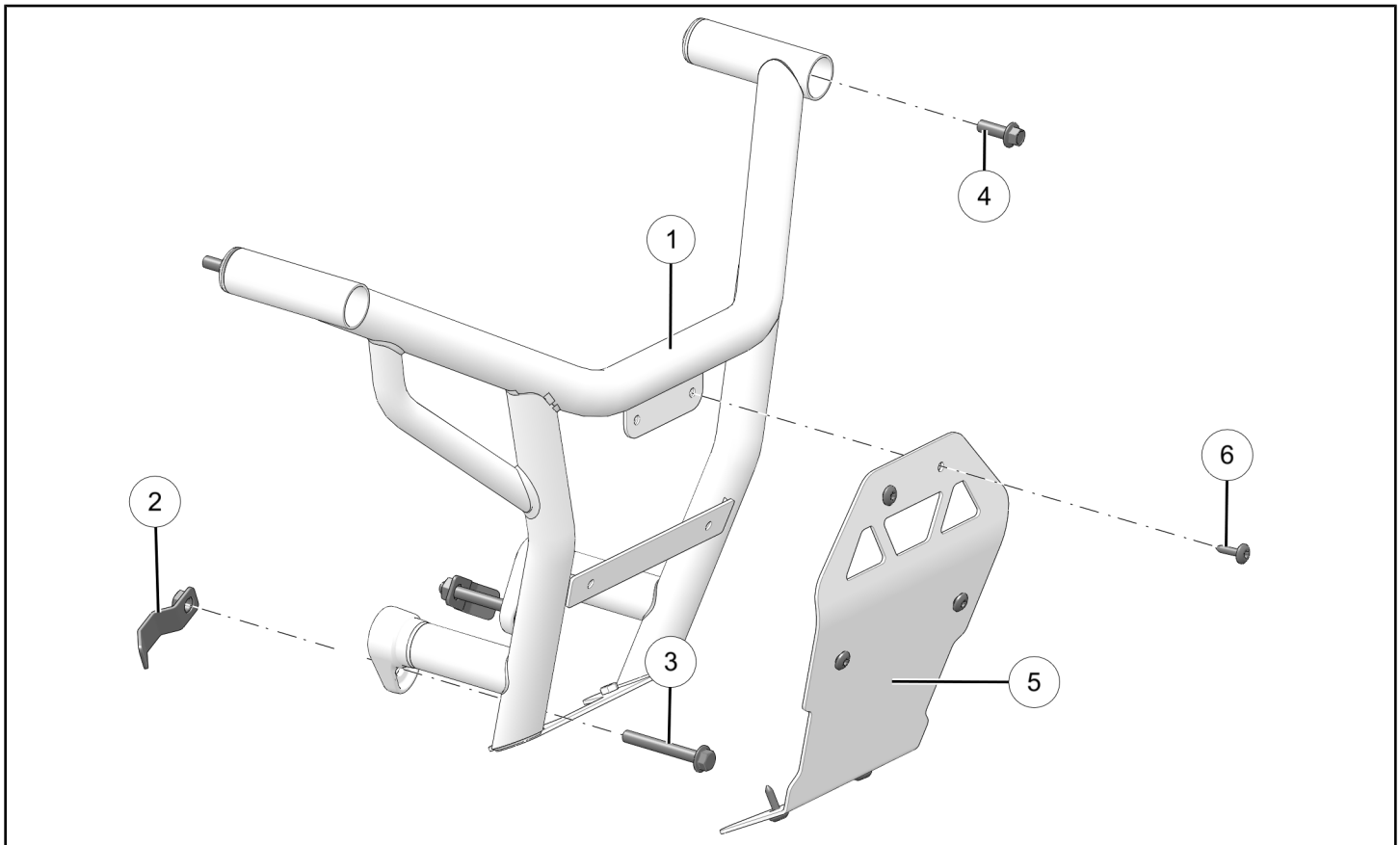
REF	QTY	PART DESCRIPTION	P/N AVAILABLE SEPARATELY	AVAILABLE SERVICE KIT
1	1	Weld-Bumper, Rear, Premium	n/a	n/a
2	2	Plate-Lower, Nut	n/a	2208310
3	2	Screw-Hex Flange, M10 x 1.5 mm x 75 mm	n/a	2208310
4	2	Screw-Hex Flange, M10 x 1.5 mm x 40 mm	n/a	2208310

REAR BUMPER KIT, P/N 2884357-XXX



REF	QTY	PART DESCRIPTION	P/N AVAILABLE SEPARATELY	AVAILABLE SERVICE KIT
1	1	Weld-Bumper, Rear, Basic	n/a	n/a
2	2	Plate-Lower, Nut	n/a	2208310
3	2	Screw-Hex Flange, M10 x 1.5 mm x 75 mm	n/a	2208310
4	2	Screw-Hex Flange, M10 x 1.5 mm x 40 mm	n/a	2208310

REAR BUMPER KIT, P/N 2884358-XXX



REF	QTY	PART DESCRIPTION	P/N AVAILABLE SEPARATELY	AVAILABLE SERVICE KIT
1	1	Weld-Bumper, Rear, PreRun	n/a	n/a
2	2	Plate-Lower, Nut	n/a	2208338
3	2	Screw-Hex Flange, M10 x 1.5 mm x 75 mm	n/a	2208338
4	2	Screw-Hex Flange, M10 x 1.5 mm x 30 mm	n/a	2208338
5	1	Plate-Bumper, Rear, PreRun	5269083	n/a
6	6	Screw-Torx® Truss Head, M6 x 1.0 mm x 20 mm	n/a	2208338

TOOLS REQUIRED

- Safety Glasses
- Pliers, Push Pin Rivet
- Screwdriver Set, Torx®
- Socket Set, Metric
- Socket Set, Torx® Bit
- Torque Wrench

IMPORTANT

Your Rear Bumper Kit is exclusively designed for your vehicle. Please read the installation instructions thoroughly before beginning. Installation is easier if the vehicle is clean and free of debris. For your safety, and to ensure a satisfactory installation, perform all installation steps correctly in the sequence shown.

INSTALLATION INSTRUCTIONS

VEHICLE PREPARATION

GENERAL

1. Shift vehicle transmission into PARK. Turn key to OFF position and remove from vehicle.

ACCESSORY INSTALLATION

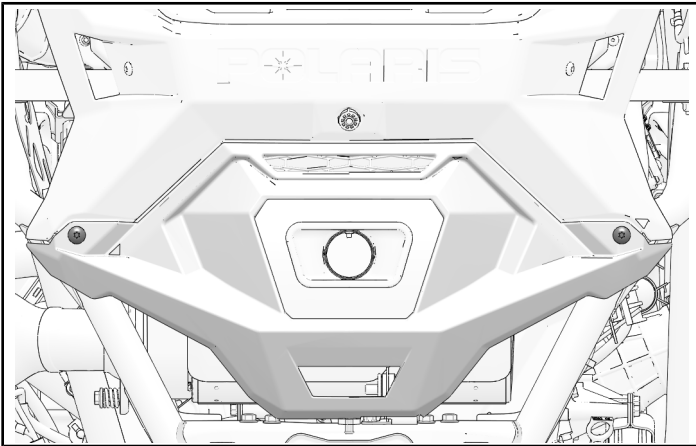
NOTICE

Basic Rear Bumper Kit, P/N 2884357-XXX shown; other bumpers similar, except where noted.

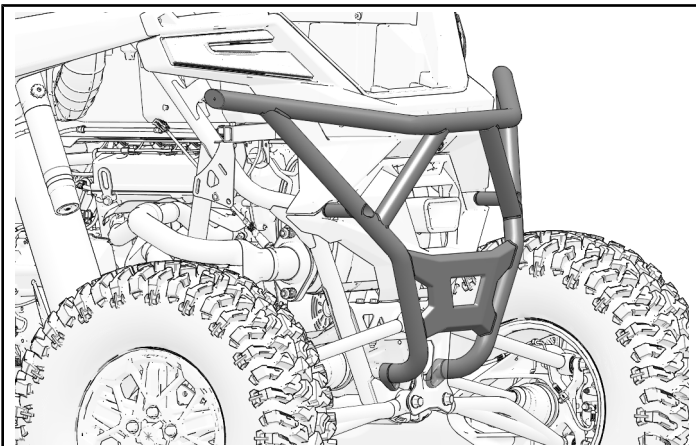
1. Remove and discard two rear fascia fasteners.

TIP

Rear fascia panel should remain connected via clips.

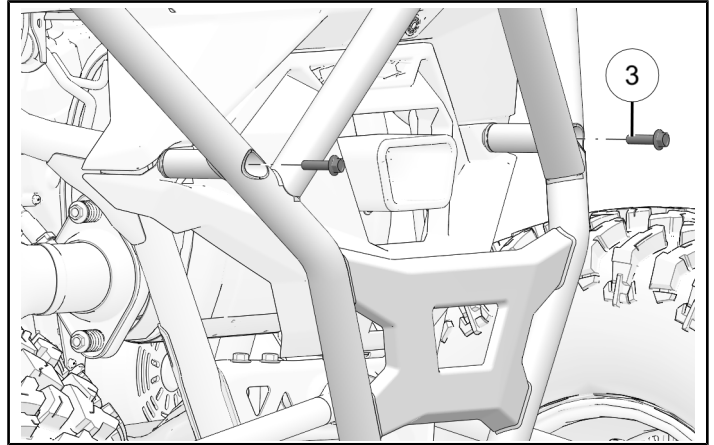


2. With an assistant, align bumper with vehicle rear. Align top mounting arms with top-rear fascia and lower mounting arms with transmission mount.

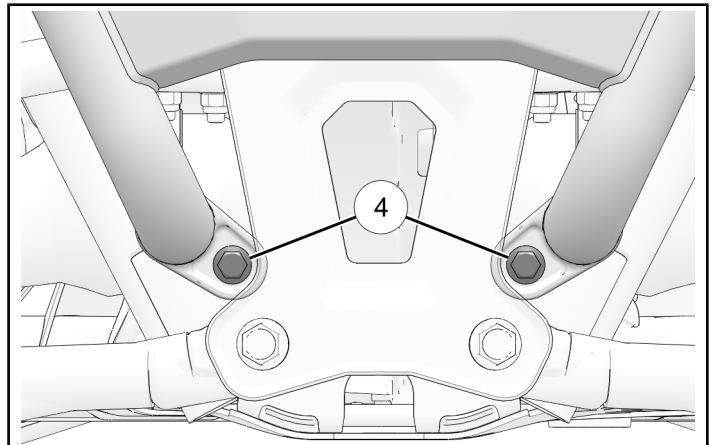


3. Secure bumper to top-rear fascia and chassis with two top mounting fasteners ③.

Do not torque fasteners at this time.

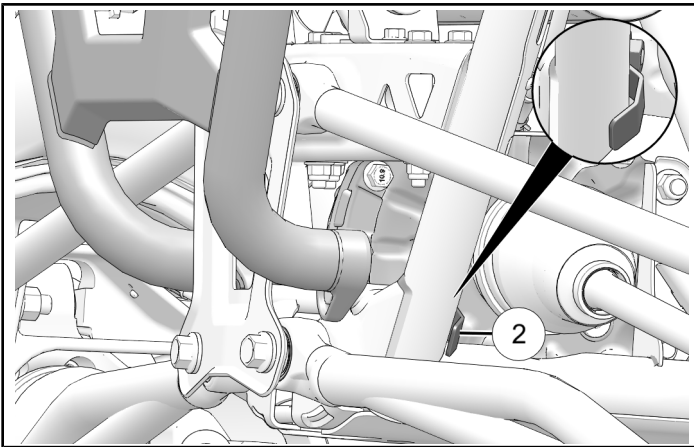
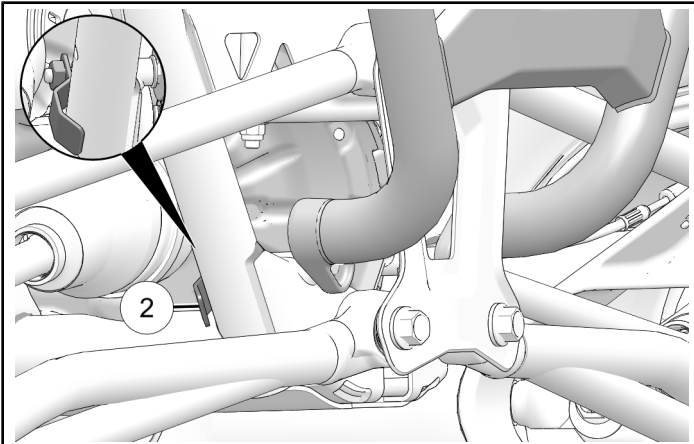


4. Pass two bottom mounting fasteners ④ through bumper mounts and transmission mount to ensure alignment.



5. Wrap one plate nut ② around each vertical tubes. Thread each fastener into plate nut.

Do not torque fasteners at this time.



6. With bumper properly aligned, torque four fasteners to specification.

TORQUE

Top Mounting Fasteners ④:
37 ft-lbs (50 N·m)

TORQUE

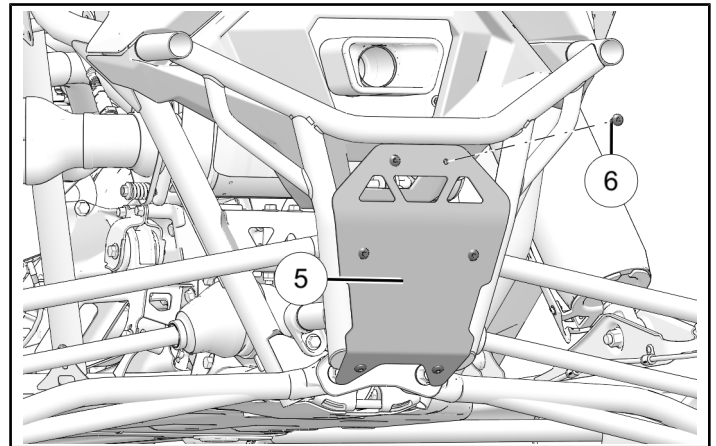
Bottom Mounting Fasteners ③:
37 ft-lbs (50 N·m)

REAR BUMPER, P/N 2884358-XXX ONLY

1. Install bumper plate ⑤ with six fasteners ⑥.

TORQUE

Bumper Plate Fasteners ⑥:
7 ft-lbs (10 N·m)



FEEDBACK FORM

A feedback form has been created for the installer to provide any comments, questions or concerns about the installation instructions. The form is viewable on mobile devices by scanning the QR code or by clicking [HERE](#) if viewing on a PC.

