

POLY ROOF KIT



P/N 2884554

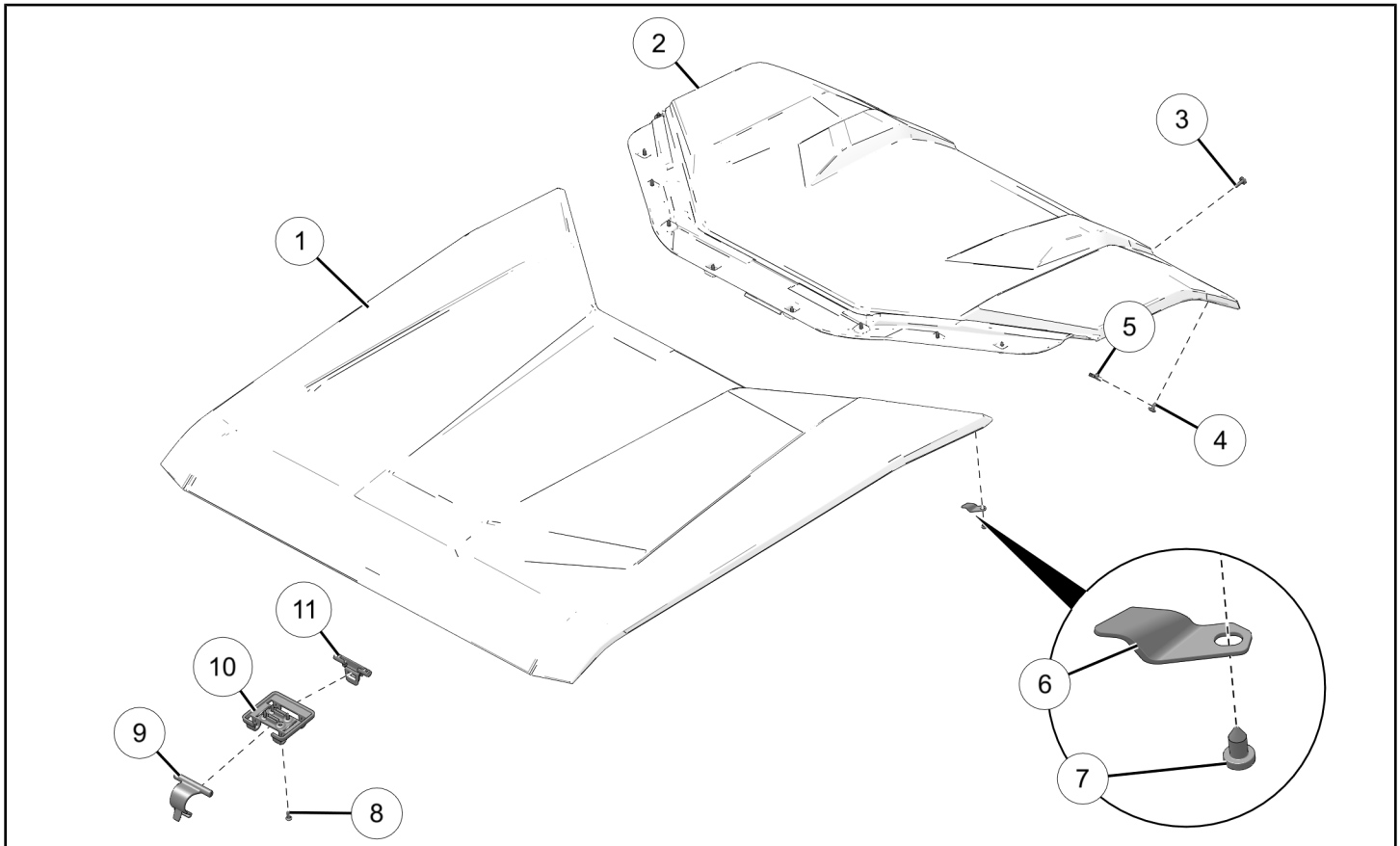
BEFORE YOU BEGIN

Read these instructions and check to be sure all parts and tools are accounted for. Please retain these installation instructions for future reference and parts ordering information.

APPLICATION

Verify accessory fitment at www.polaris.com.

KIT CONTENTS



REF	QTY	PART DESCRIPTION	P/N AVAILABLE SEPARATELY	AVAILABLE SERVICE KIT
1	1	Panel–Roof, Front	n/a	n/a
2	1	Panel–Roof, Rear	n/a	n/a
3	4	Screw–Torx® Truss Head, M6 x 1.0 x 25 mm	n/a	2208302
4	2	Screw–Torx® Truss Head, M6 x 1.0 x 16 mm	n/a	2208302
5	2	Nut–U, Clip	n/a	2208302
6	2	Bracket–Corner, Roof	n/a	2208302
7	2	Screw–Torx® Pan Head, Hi/Lo, #14 x 1/2 in	n/a	2208302
8	16	Screw–Torx® Truss Head, Hi/Lo, #14 x 3/4 in	n/a	2208302

REF	QTY	PART DESCRIPTION	P/N AVAILABLE SEPARATELY	AVAILABLE SERVICE KIT
9	2	Clamp–Hoop	n/a	2208302
10	2	Clamp–Base	n/a	2208302
11	2	Clamp–Latch	n/a	2208302
12	1	Seal–Bulb, Rear Panel (not shown)	n/a	2208302
13	1	Seal–Clip, Front Panel (not shown)	n/a	2208302

TOOLS REQUIRED

- Safety Glasses
- Socket Set, Torx® Bit
- Torque Wrench

IMPORTANT

Your Poly Roof Kit is exclusively designed for your vehicle. Please read the installation instructions thoroughly before beginning. Installation is easier if the vehicle is clean and free of debris. For your safety, and to ensure a satisfactory installation, perform all installation steps correctly in the sequence shown.

INSTALLATION INSTRUCTIONS

VEHICLE PREPARATION

GENERAL

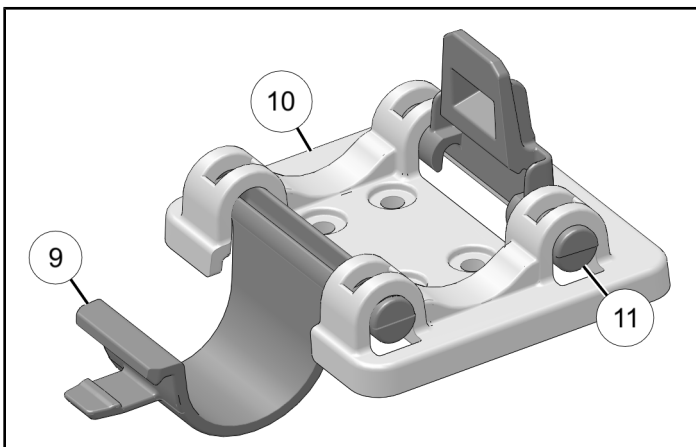
1. Park vehicle on a flat surface.
2. Shift vehicle into PARK.
3. Turn key to OFF position and remove key.

ACCESSORY INSTALLATION

1. Install hoop ⑨ and latch ⑪ into clamp base ⑩.

NOTICE

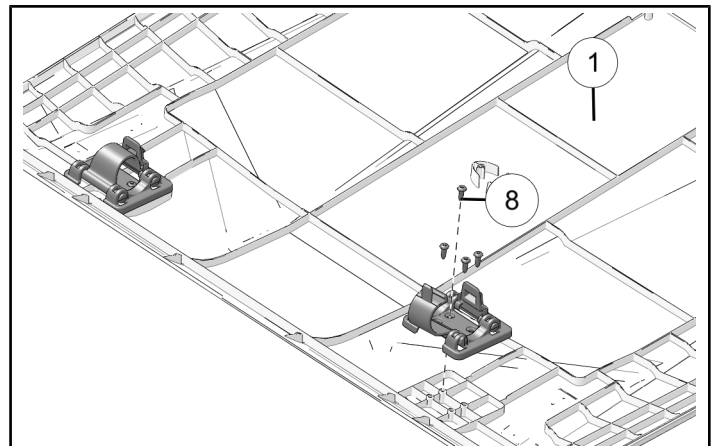
One clamp shown; other similar.



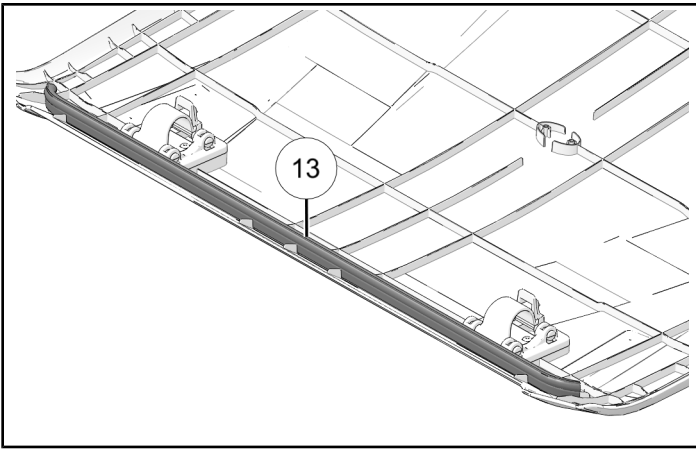
2. Install clamp assemblies to roof panel ① with four fasteners ⑧ per assembly. Torque fasteners until fully seated.

IMPORTANT

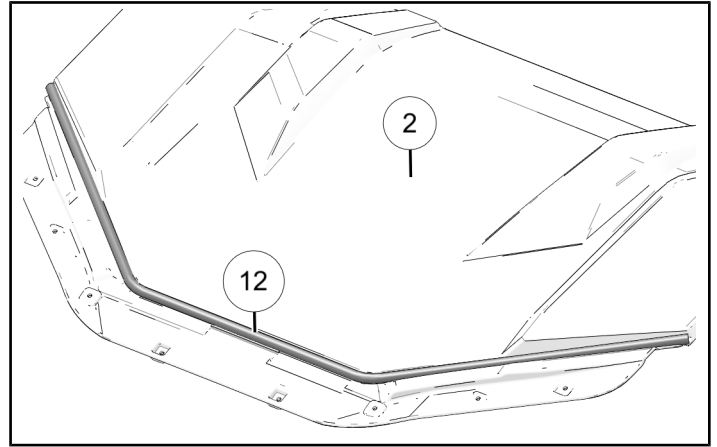
Do not over-tighten fasteners.



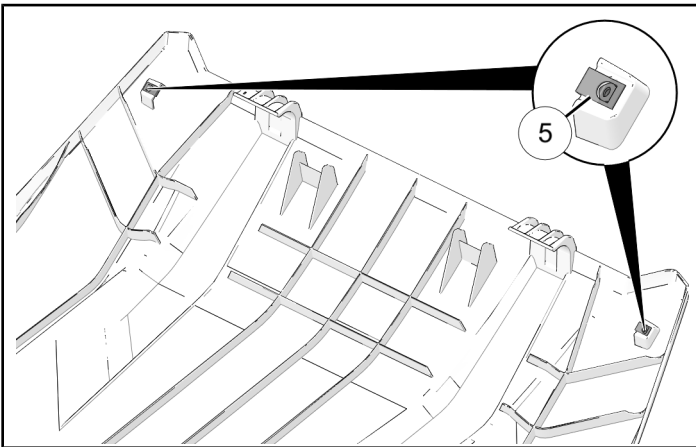
3. Install seal ⑬ onto front of panel, as shown.



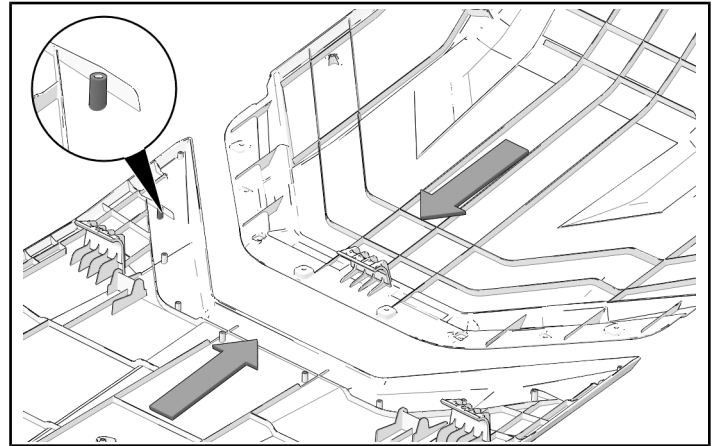
6. Peel paper backing from seal ⑫ and install seal in channel of rear roof panel ②.



4. Install two U-nuts ⑤ onto rear mounting points.



7. With both roof panels upside down, align rear roof panel with bosses on front roof panel.



5. Clean seal channel on rear roof panel ② with isopropyl alcohol.

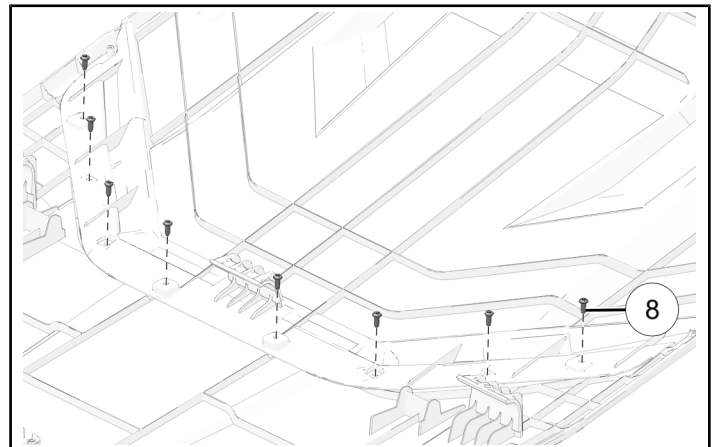
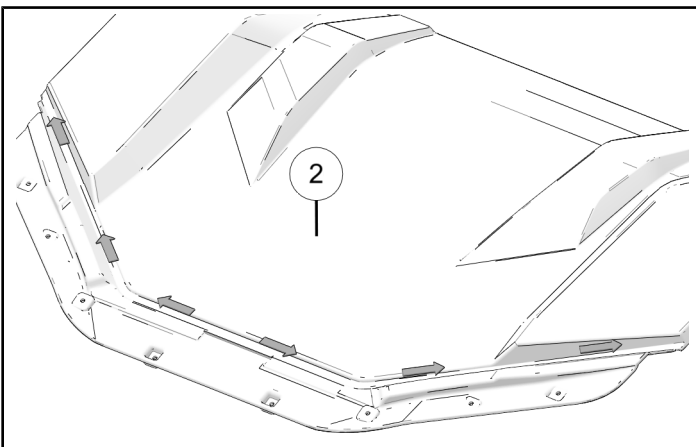
⚠ WARNING

Follow all chemical manufacturer instructions and safety precautions. Failure to follow all manufacturer instructions and precautions may result in severe injury or death.

8. Install roof panels together with eight screws ⑧. Torque fasteners until fully seated.

IMPORTANT

Do not over-tighten fasteners.



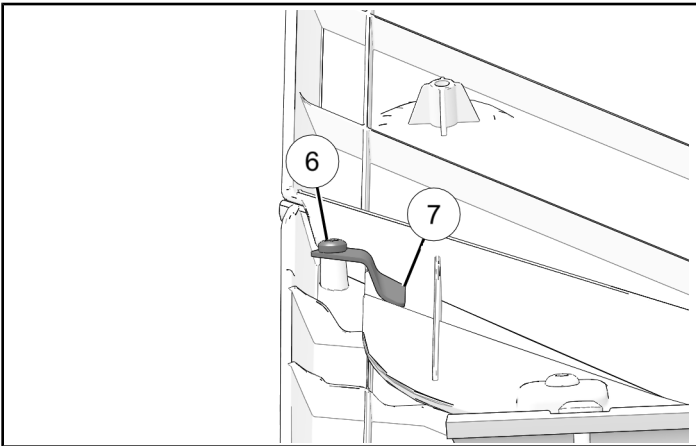
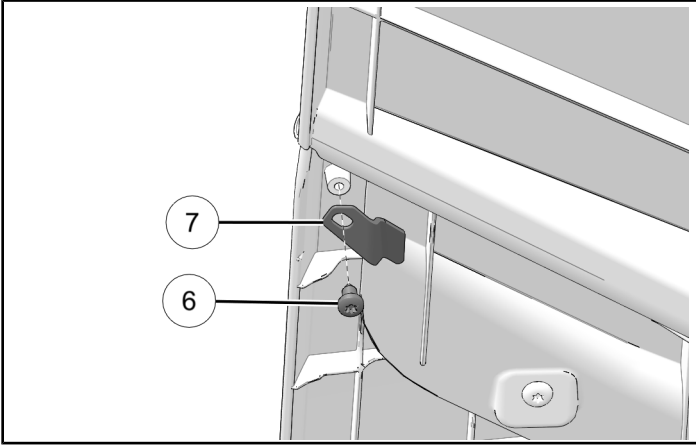
9. Install left corner roof bracket ⑥ with one screw ⑦ and torque fastener until fully seated.

TIP

Corner roof brackets should be installed in front roof panel and overlap rear roof panel.

IMPORTANT

Do not over-tighten fastener.



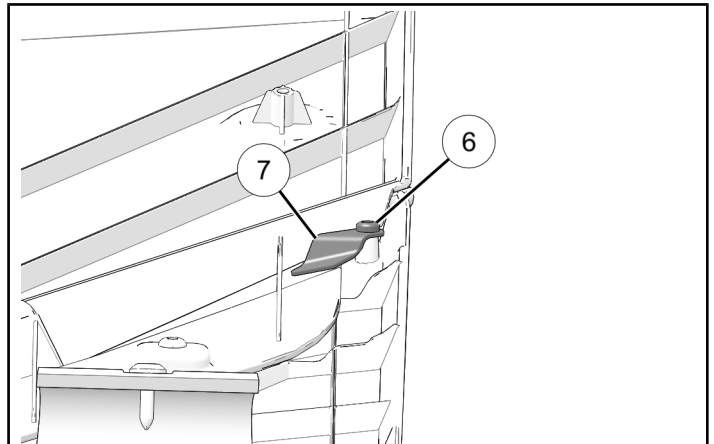
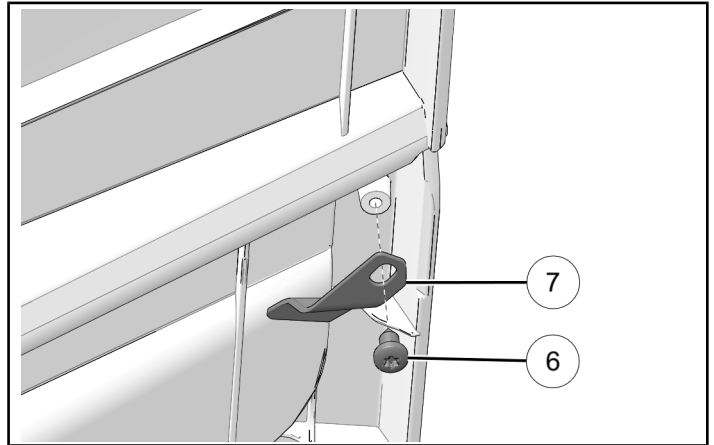
10. Install right corner roof bracket ⑥ with one screw ⑦ and torque fastener until fully seated.

TIP

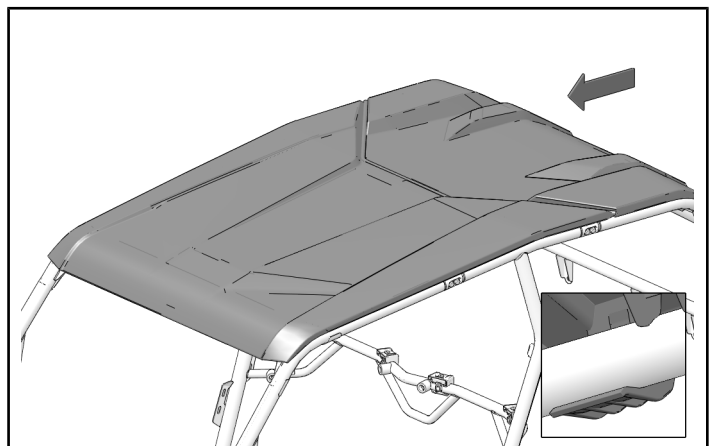
Corner roof brackets should be installed in front roof panel and overlap rear roof panel.

IMPORTANT

Do not over-tighten fastener.



11. Put roof panel on top of roll-cage.

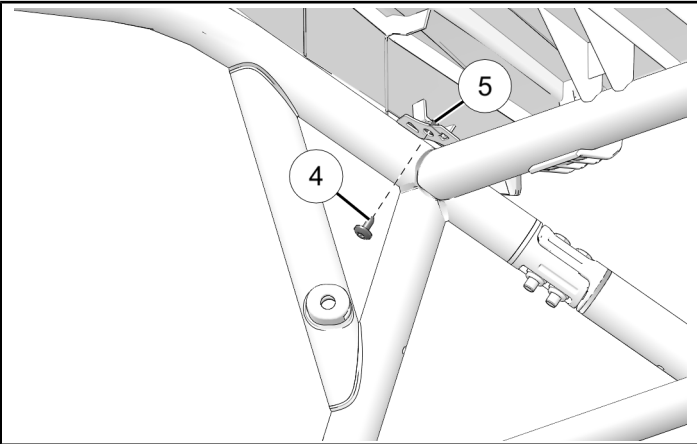


12. Install roof panel to roll cage with two fasteners ④ installing into U-nuts ⑤ (previously installed).

Do not torque fasteners at this time.

NOTICE

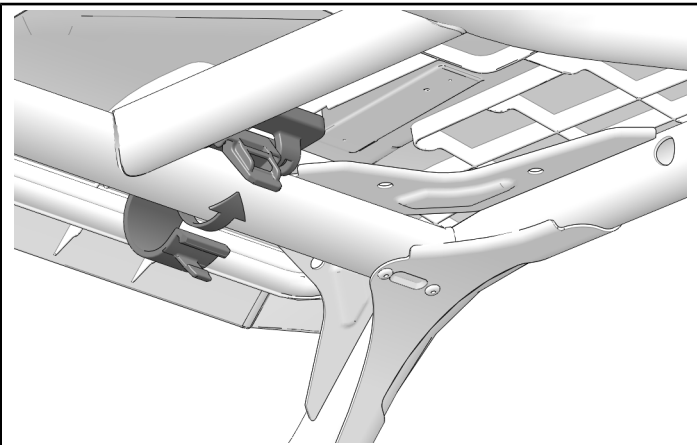
One side shown; other side similar.



13. Install roof panel to roll cage with two clamp assemblies.

NOTICE

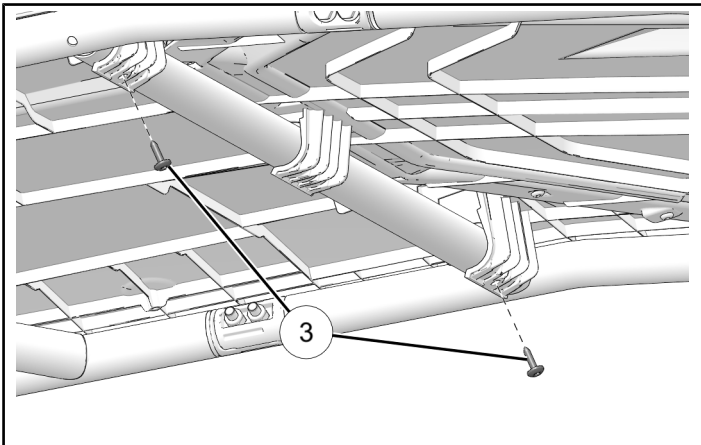
One side shown; other side similar.



14. Install rear roof panel to center tube with two fasteners ③. Torque fasteners to specification.

TORQUE

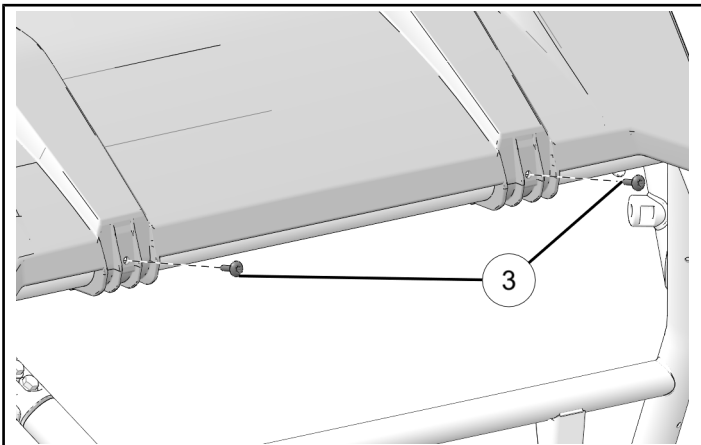
Roof Fasteners ③:
88 in-lbs (10 N·m)



15. Install rear roof panel to roll cage with two fasteners ③. Torque fasteners to specification.

TORQUE

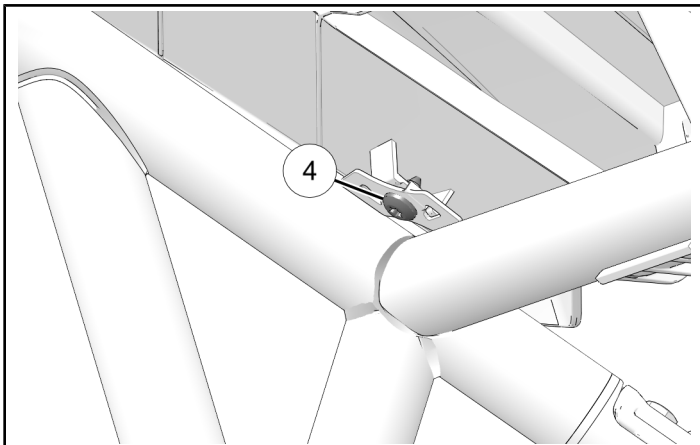
Roof Fasteners ③:
88 in-lbs (10 N·m)



16. Torque two roof fasteners ④ to specification.

TORQUE

Roof Fasteners ④:
88 in-lbs (10 N·m)



INSTRUCTION FEEDBACK FORM

A feedback form has been created for the installer to provide any comments, questions or concerns about the installation instructions. The form is viewable on mobile devices by scanning the QR code or by clicking [HERE](#) if viewing on a PC.

