

# POLY ROOF KIT



P/N 2884553

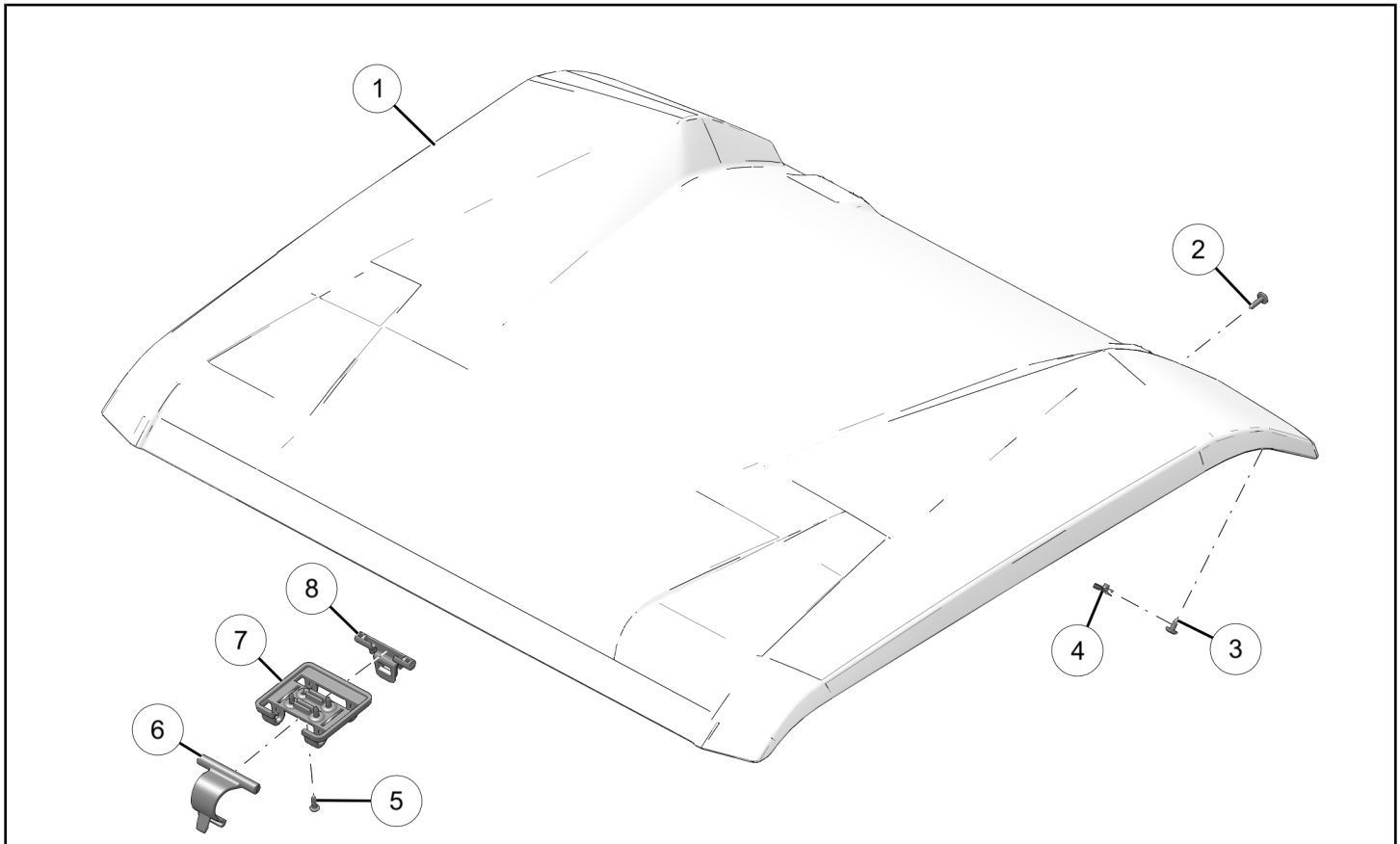
## BEFORE YOU BEGIN

Read these instructions and check to be sure all parts and tools are accounted for. Please retain these installation instructions for future reference and parts ordering information.

## APPLICATION

Verify accessory fitment at [www.polaris.com](http://www.polaris.com).

## KIT CONTENTS



REF	QTY	PART DESCRIPTION	P/N AVAILABLE SEPARATELY	AVAILABLE SERVICE KIT
1	1	Panel–Roof, Polycarbonate	n/a	n/a
2	2	Screw–Torx® Truss Head, M6 x 1.0 x 25 mm	n/a	2208301
3	2	Screw–Torx® Truss Head, M6 x 1.0 x 16 mm	n/a	2208301
4	2	Nut–U Clip	n/a	2208301
5	8	Screw–Torx® Truss Head, Hi/Lo, #14 x 3/4 in	n/a	2208301
6	2	Clamp–Hoop	n/a	2208301
7	2	Clamp–Base	n/a	2208301

REF	QTY	PART DESCRIPTION	P/N AVAILABLE SEPARATELY	AVAILABLE SERVICE KIT
8	2	Clamp–Latch	n/a	2208301
9	1	Seal–Bulb (not shown)	n/a	2208301

## TOOLS REQUIRED

- Safety Glasses
- Socket Set, Torx® Bit
- Torque Wrench

## IMPORTANT

Your Poly Roof Kit is exclusively designed for your vehicle. Please read the installation instructions thoroughly before beginning. Installation is easier if the vehicle is clean and free of debris. For your safety, and to ensure a satisfactory installation, perform all installation steps correctly in the sequence shown.

## INSTALLATION INSTRUCTIONS

### VEHICLE PREPARATION

#### GENERAL

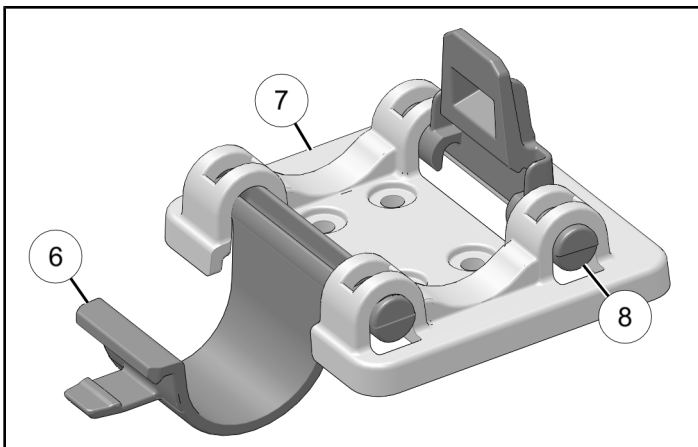
1. Park vehicle on a flat surface.
2. Shift vehicle into PARK.
3. Turn key to OFF position and remove key.

### ACCESSORY INSTALLATION

1. Install hoop ⑥ and latch ⑧ into clamp base ⑦.

#### NOTICE

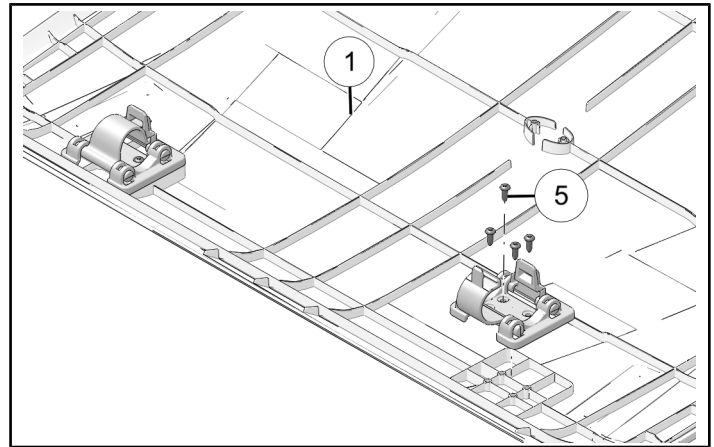
One clamp shown; other similar.



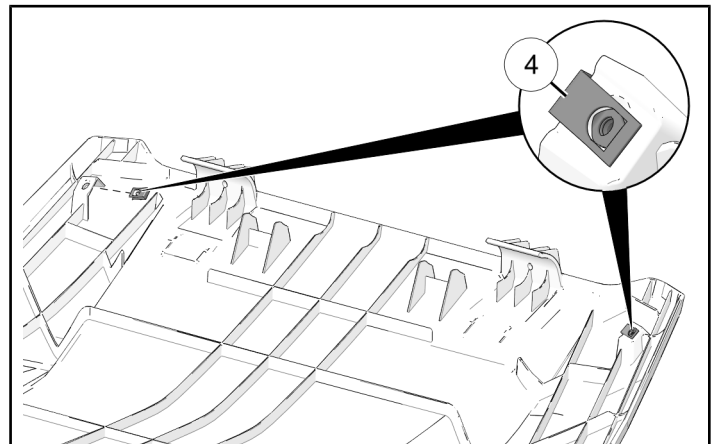
2. Install clamp assemblies to roof panel ① with four fasteners ⑤ per assembly. Torque fasteners until fully seated.

#### IMPORTANT

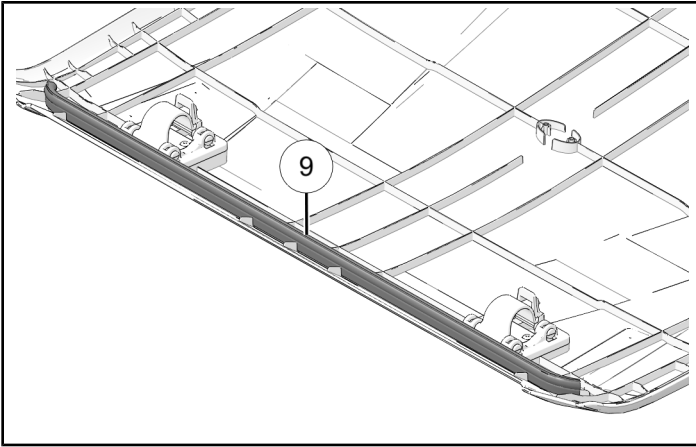
Do not over-tighten fasteners.



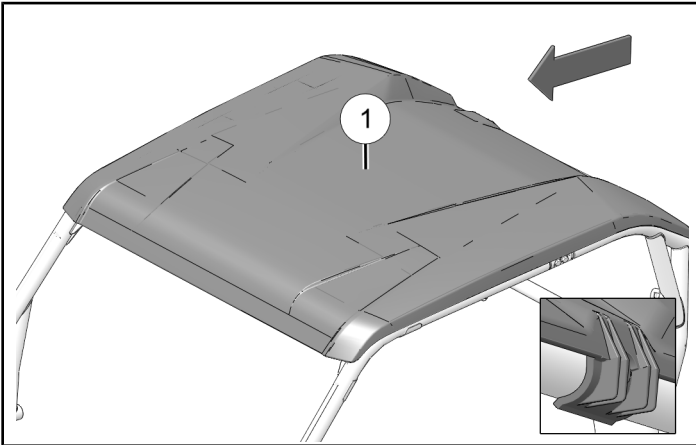
3. Install two U-nuts ④ onto rear mounting points.



4. Install seal ⑨ onto front of panel, as shown.



5. Put roof panel ① on top of roll-cage.

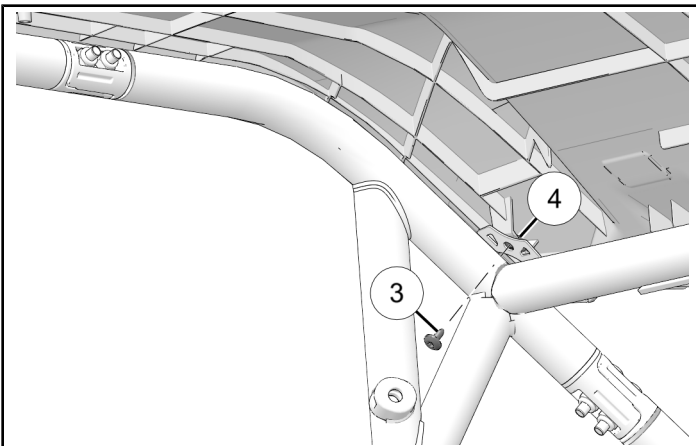


6. Install roof panel to roll-cage with two fasteners ③ installing into U-nuts ④ (previously installed).

Do not torque fasteners at this time.

**NOTICE**

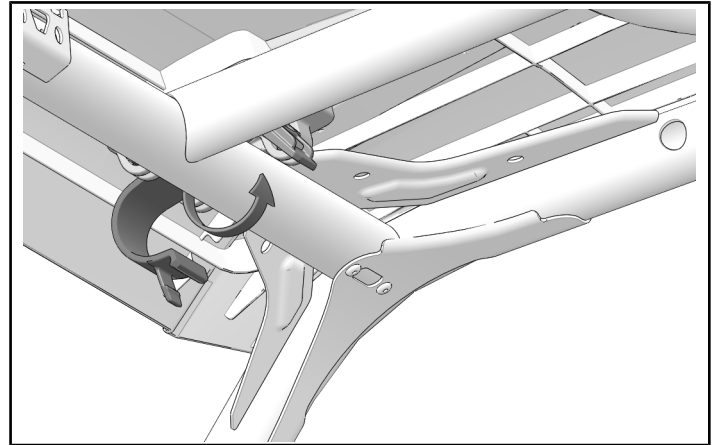
One side shown; other side similar.



7. Install roof panel to roll-cage with two clamp assemblies.

**NOTICE**

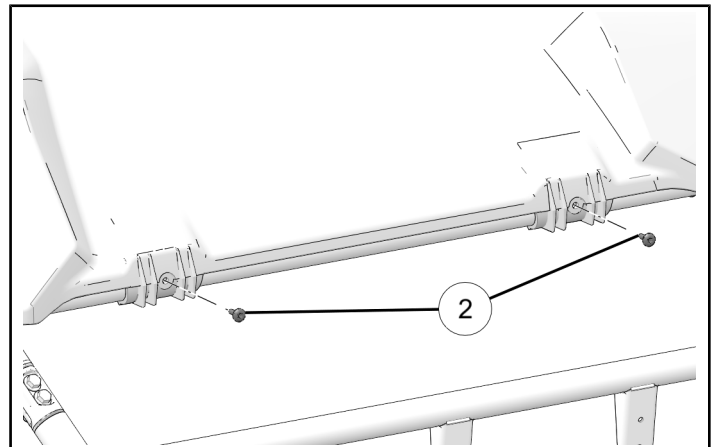
One side shown; other side similar.



8. Install rear of roof panel with two fasteners ②. Torque fasteners to specification.

**TORQUE**

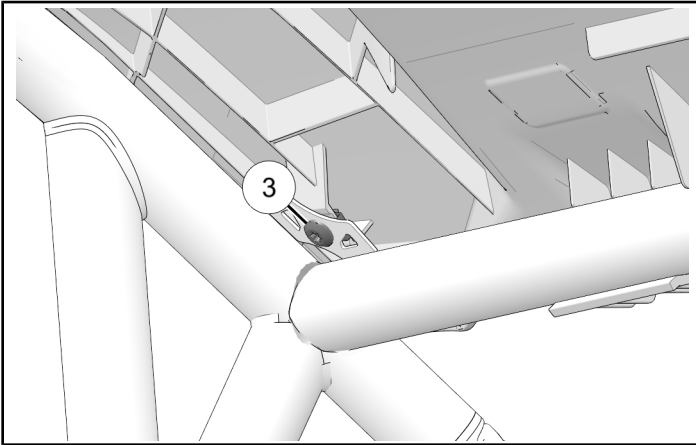
Roof Fasteners ②:  
**88 in-lbs (10 N·m)**



9. Torque two roof fasteners ③ to specification.

#### TORQUE

Roof Fasteners ③:  
**88 in-lbs (10 N·m)**



### INSTRUCTION FEEDBACK FORM

A feedback form has been created for the installer to provide any comments, questions or concerns about the installation instructions. The form is viewable on mobile devices by scanning the QR code or by clicking [HERE](#) if viewing on a PC.

