

# ALUMINUM ROOF KIT



P/N 2884549-XXX

## BEFORE YOU BEGIN

Read these instructions and check to be sure all parts and tools are accounted for. Please retain these installation instructions for future reference and parts ordering information.

## ACCESSORY WEIGHT

Accessories, passengers, and other factors may negatively affect ride performance. Refer to your vehicle's owner's manual for maximum weight capacity and suspension adjustment procedures.

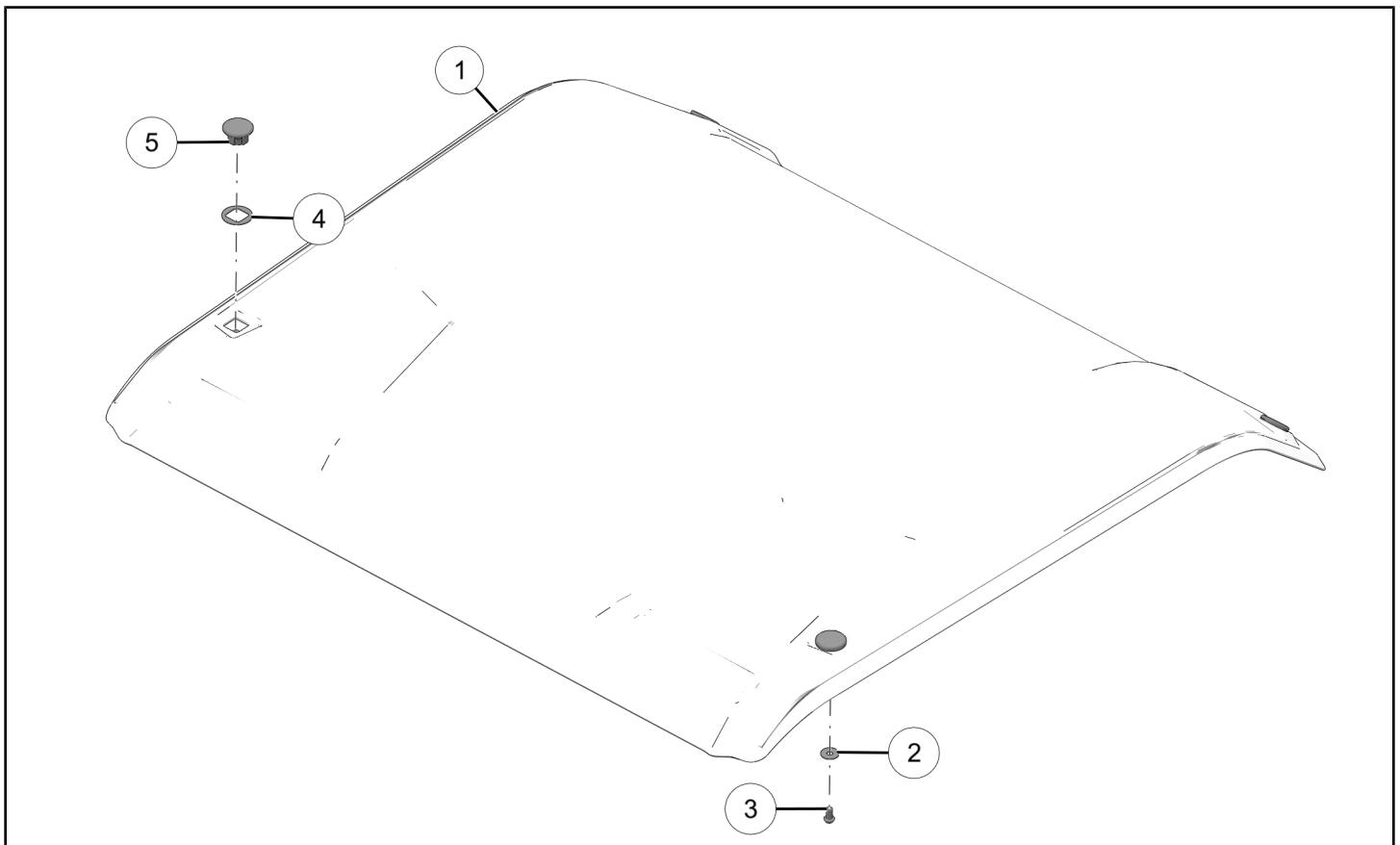
## APPLICATION

Verify accessory fitment at [www.polaris.com](http://www.polaris.com).

## KIT CONTENTS

### NOTICE

XXX = Polaris® color code (For example: 266 = Black)



REF	QTY	PART DESCRIPTION	P/N AVAILABLE SEPARATELY	AVAILABLE SERVICE KIT
1	1	Panel–Roof, Aluminum	n/a	n/a
2	4	Washer, 8.4 x 24 x 2.0 mm	n/a	2208299
3	4	Screw–Hex Button Head, M8 x 1.25 x 20.0 mm	n/a	2208299

REF	QTY	PART DESCRIPTION	P/N AVAILABLE SEPARATELY	AVAILABLE SERVICE KIT
4	4	Spacer–Rubber	n/a	2208299
5	4	Cap–Insert, M8	n/a	2208299
6	1	Seal–Bulb, D-Profile, 20 x 10.5 x 1150 mm (not shown)	n/a	n/a

## TOOLS REQUIRED

- Safety Glasses
- Hex Key Set, Metric
- Socket Set, Hex Bit, Metric
- Torque Wrench

## IMPORTANT

Your Aluminum Roof Kit is exclusively designed for your vehicle. Please read the installation instructions thoroughly before beginning. Installation is easier if the vehicle is clean and free of debris. For your safety, and to ensure a satisfactory installation, perform all installation steps correctly in the sequence shown.

## INSTALLATION INSTRUCTIONS

### VEHICLE PREPARATION

#### GENERAL

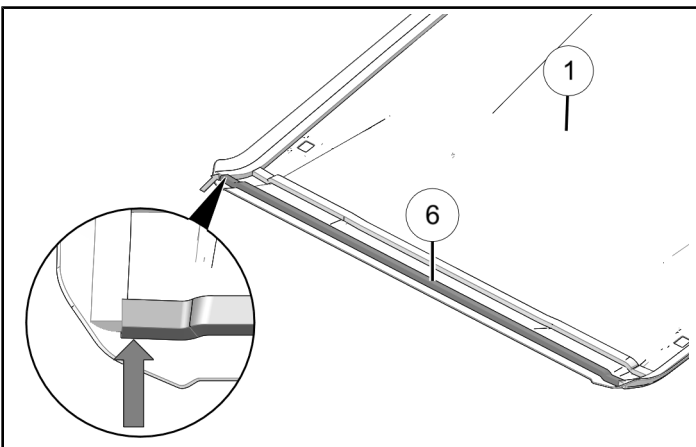
1. Park vehicle on a flat surface.
2. Shift vehicle into PARK.
3. Turn key to OFF position and remove key.

### ACCESSORY INSTALLATION

#### WINDSHIELD EQUIPPED VEHICLES ONLY

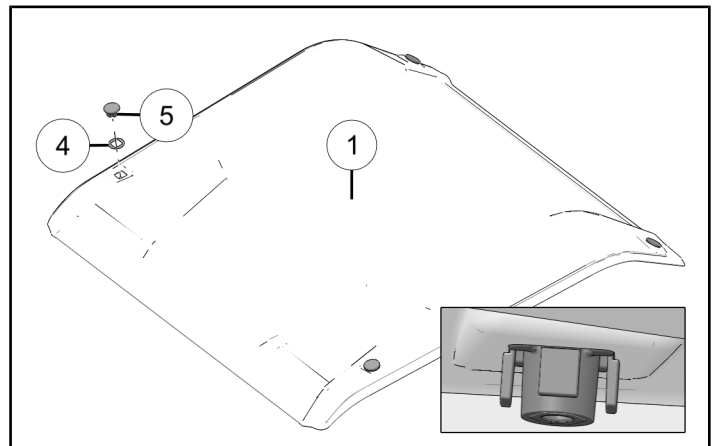
For vehicles without windshields skip to next section.

1. Peel backing from bulb seal ⑥ and apply to underside of front roof panel ①. Align bulb seal across width of roof panel in line with ends of pre-installed seal, approximately 1-3/16 in (30 mm) from the edge of the roof.

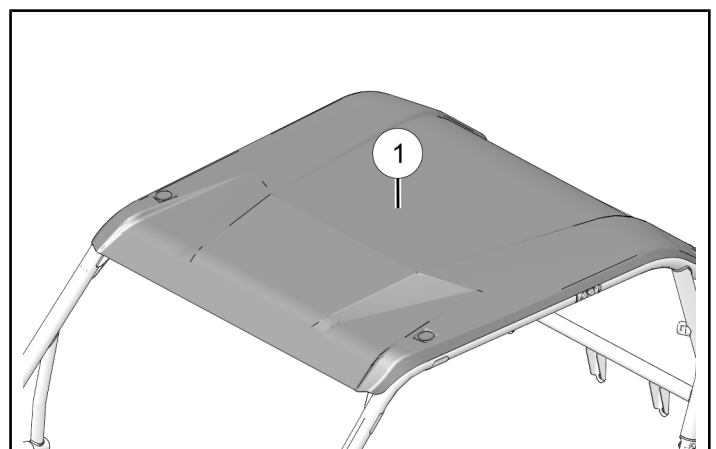


#### ALL VEHICLES

1. Install four cap inserts ⑤ and four rubber spacers ④ into roof panel ①. Push cap insert until it engages underside of roof.



2. Put roof panel ① on top of roll-cage.



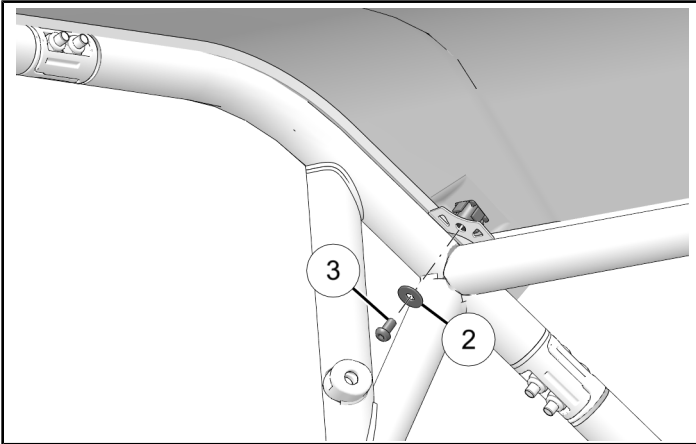
- Loosely install roof panel to roll-cage with four fasteners ③ and four washers ②.

Do not torque fasteners at this time.

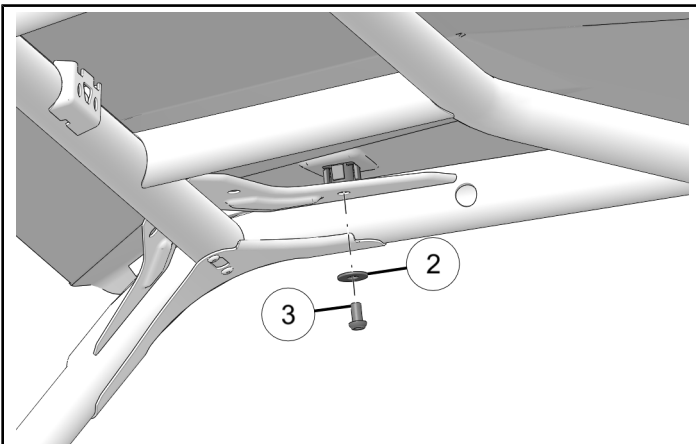
**NOTICE**

One side shown; other side similar.

- Rear



- Front



- Torque four roof fasteners to specification.

**TORQUE**

Roof Fasteners ③:  
**14.75 ft-lbs (20 N·m)**

## INSTRUCTION FEEDBACK FORM

A feedback form has been created for the installer to provide any comments, questions or concerns about the installation instructions. The form is viewable on mobile devices by scanning the QR code or by clicking [HERE](#) if viewing on a PC.

