

# CARGO BOX COVER KIT



P/N 2884548

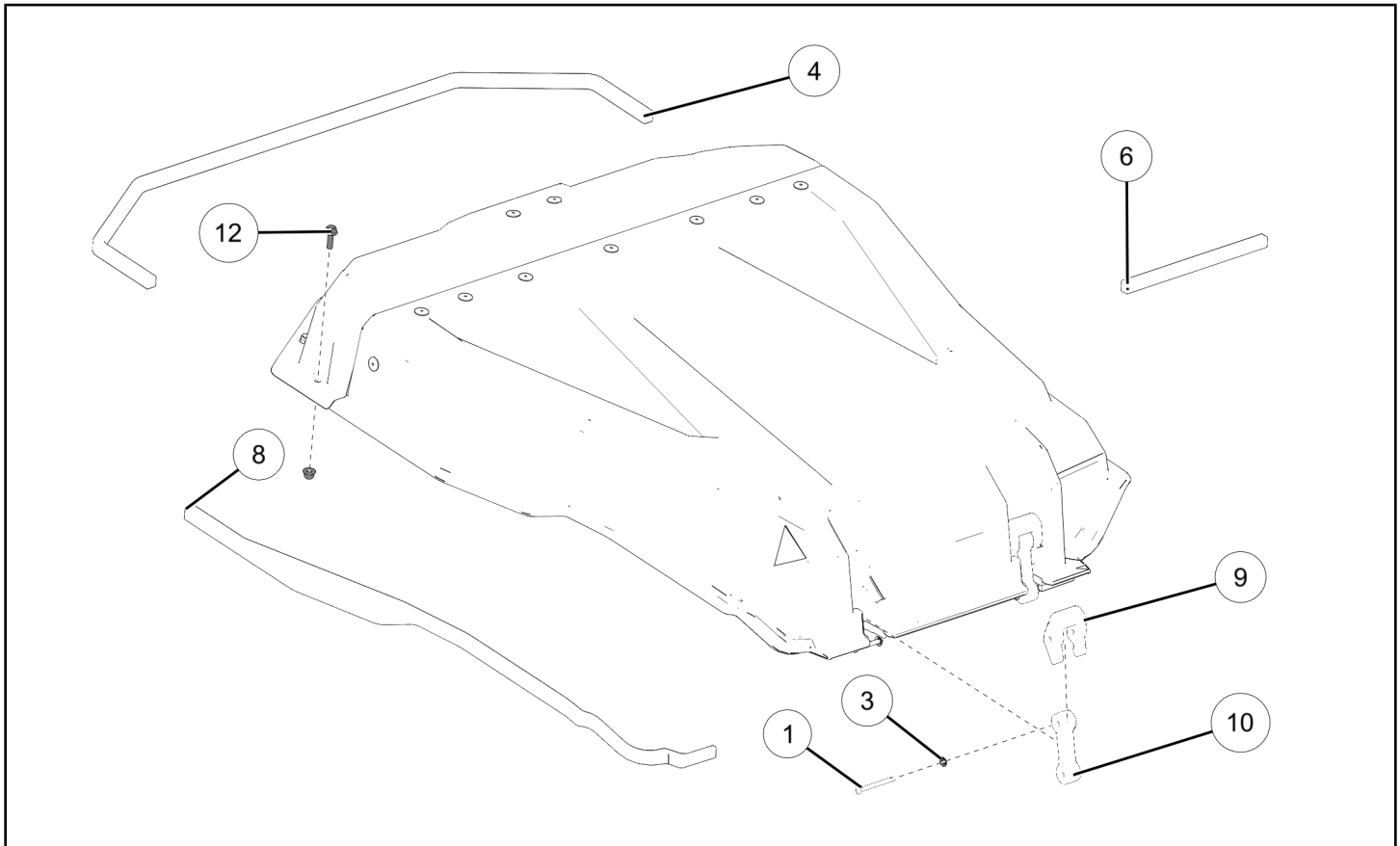
## BEFORE YOU BEGIN

Read these instructions and check to be sure all parts and tools are accounted for. Please retain these installation instructions for future reference and parts ordering information.

## APPLICATION

Verify accessory fitment at [www.polaris.com](http://www.polaris.com).

## KIT CONTENTS



REF	QTY	PART DESCRIPTION	P/N AVAILABLE SEPARATELY	AVAILABLE SERVICE KIT
1	2	Clevis Pin, 19 x 1.81 mm	n/a	2209010
2	2	Clevis Pin, 19 x 1.31 mm, (not shown)	n/a	2209010
3	4	Push Nut, 3/16 in	7548002	n/a
4	1	Gasket-PVT, Cover, Rear	n/a	2209010
5	1	Gasket-Stat Cover, Seal (not shown)	n/a	2209010
6	1	Gasket-Stat Cover	n/a	2209010
7	1	Gasket-Pvt Cover, RH (not shown)	n/a	2209010
8	1	Gasket-Pvt Cover, LH	n/a	2209010

REF	QTY	PART DESCRIPTION	P/N AVAILABLE SEPARATELY	AVAILABLE SERVICE KIT
9	2	Latch Lever	n/a	2209010
10	2	Flex Latch	n/a	2209010
12	8	Screw, M6 x 1.0 x 2.0 mm	7519121	n/a
13	8	Nut, flanged, nylon locking, M6 x 1.0 mm	7547339	n/a
14	1	T-Profile Seal (not shown)	n/a	2209010

## TOOLS REQUIRED

- Safety Goggles
- Clamp
- Drill
- Drill Bit:
  - 1/4 in (6 mm)
- Socket Set, Torx® Bit
- Torque Wrench

## IMPORTANT

Your Cargo Box Cover Kit is exclusively designed for your vehicle. Please read the installation instructions thoroughly before beginning. Installation is easier if the vehicle is clean and free of debris. For your safety, and to ensure a satisfactory installation, perform all installation steps correctly in the sequence shown.

## INSTALLATION INSTRUCTIONS

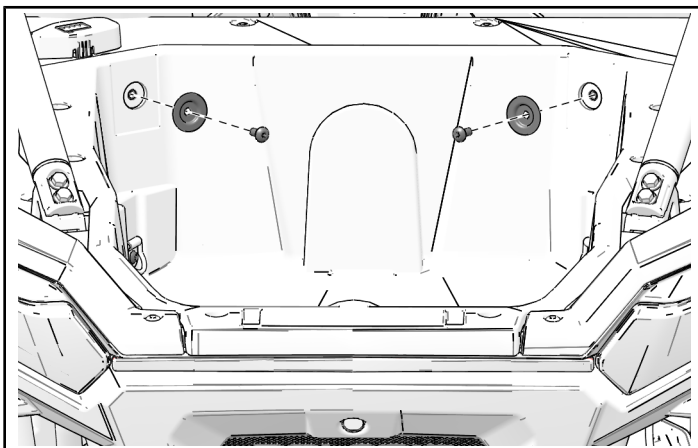
### VEHICLE PREPARATION

#### GENERAL

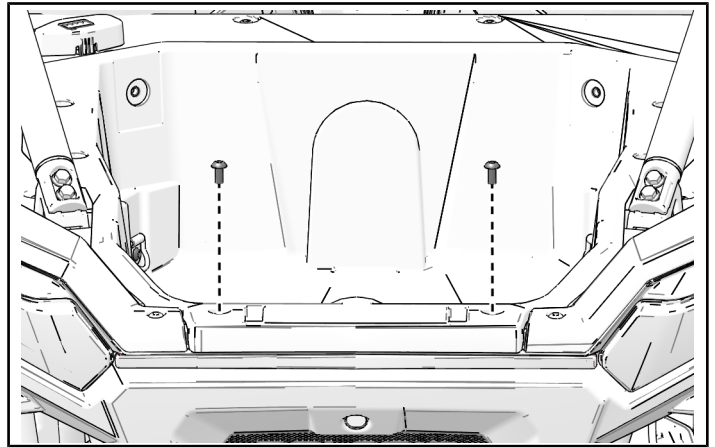
1. Park vehicle on a flat surface.
2. Shift vehicle into PARK.
3. Turn key to OFF position and remove key.

#### CARGO BOX REMOVAL

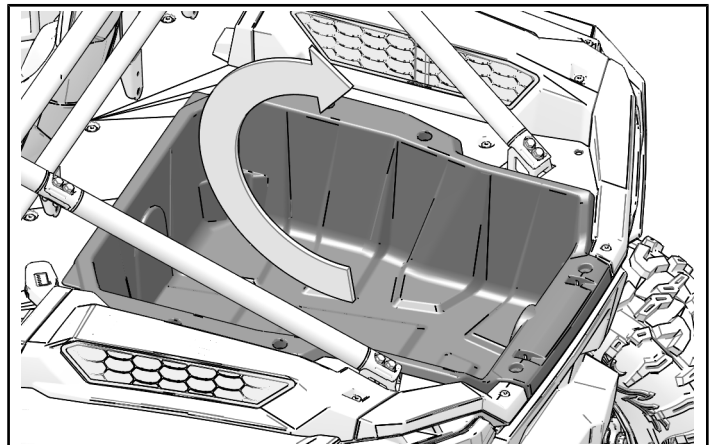
1. Remove and keep two screws and stepped washers from cargo box.



2. Remove and keep two screws from back of cargo box.



3. Remove cargo box.

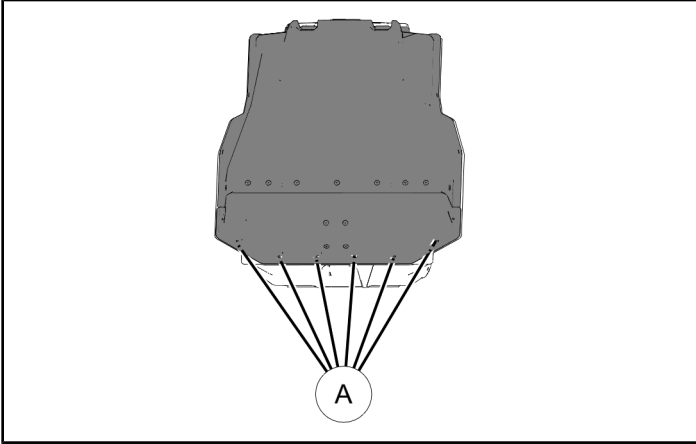


## ACCESSORY INSTALLATION

1. Clamp the cargo cover to the vehicle cover box and mark drill points **A**. Remove cover prior to drilling.

### IMPORTANT

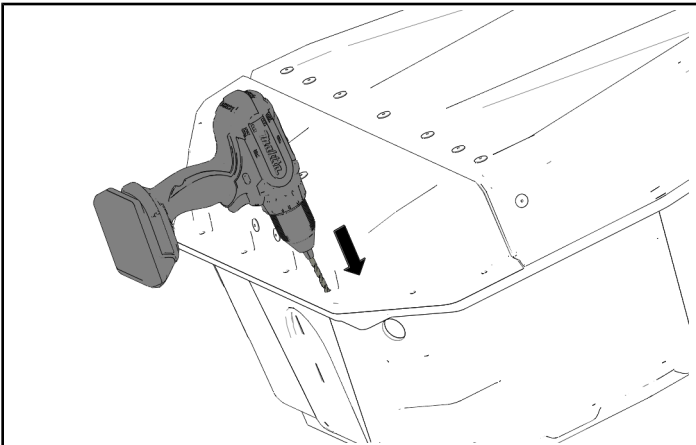
Make sure the cover is centered to the box.



2. Using drill points, drill 1/4 in hole into cargo box.

### MEASUREMENT

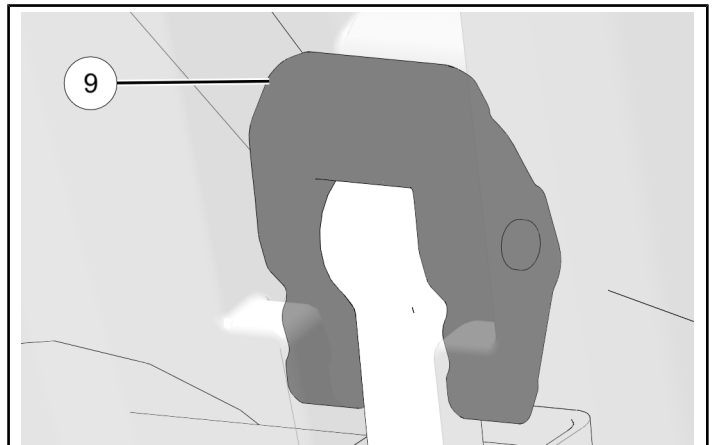
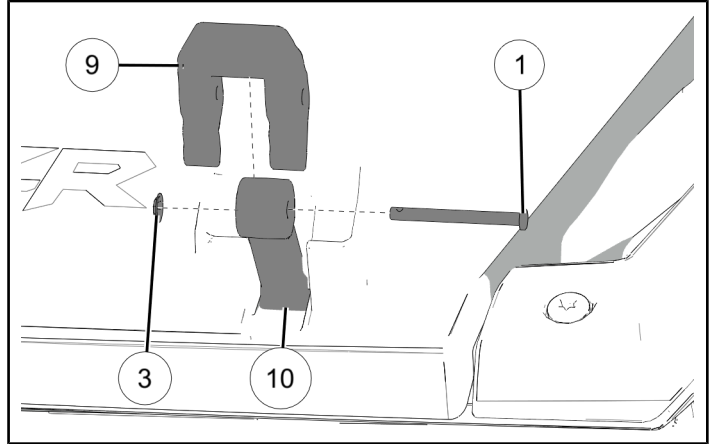
Drill Bit Size:  
1/4 in (6 mm)



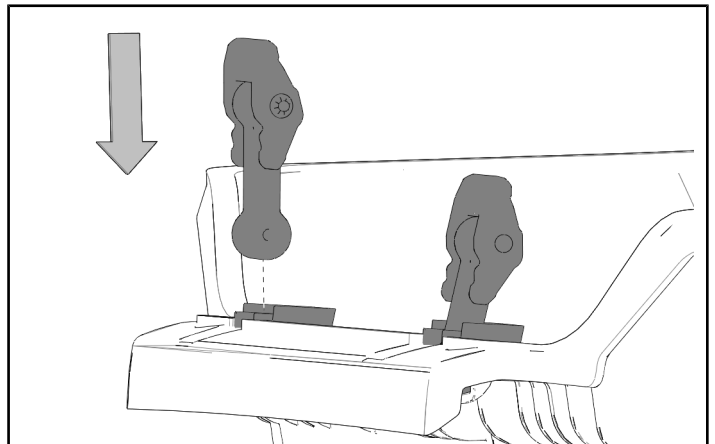
3. Assemble the flex latch lever as shown using latch level **9**, flex latch **10**, clevis pin **1**, and push nut **3**.

### NOTICE

Make sure latch lever is oriented correctly. Surface of latch lever **9** should be facing towards rear of vehicle.



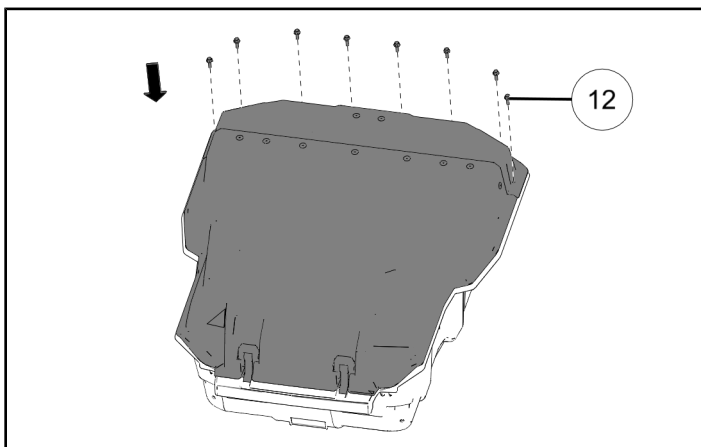
4. Install the body and lever assembly onto the vehicle cargo box using pin and push nuts to attach body and lever assembly to underside of cargo bed.



5. Install cover assembly using eight cover assembly screws ⑫ into holes drilled into the cargo box.

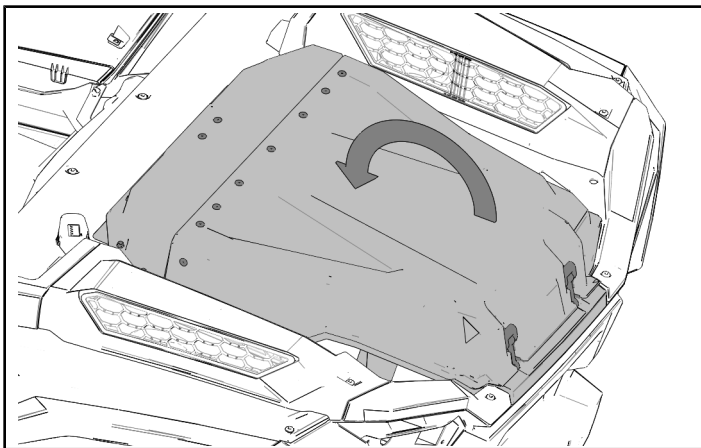
#### TORQUE

M6 Screws ⑫:  
9 ft-lbs (12 N·m)



### CARGO BOX INSTALLATION

1. Place cargo box in rear of vehicle



### INSTRUCTION FEEDBACK FORM

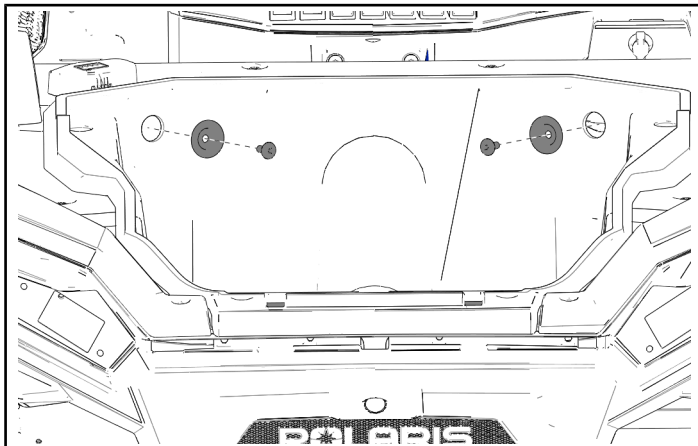
A feedback form has been created for the installer to provide any comments, questions or concerns about the installation instructions. The form is viewable on mobile devices by scanning the QR code or by clicking [HERE](#) if viewing on a PC.



2. Loosely install stepped washers and attach to cargo box with two screws. Torque screws to specification.

#### TORQUE

Cargo Box Screws:  
88 in-lbs (10 N·m)



3. Insert two screws and attach cargo box to vehicle. Torque screws to specifications.

#### TORQUE

Cargo Box Screws:  
88 in-lbs (10 N·m)

