

# DOOR BAG KIT



P/N 2884528

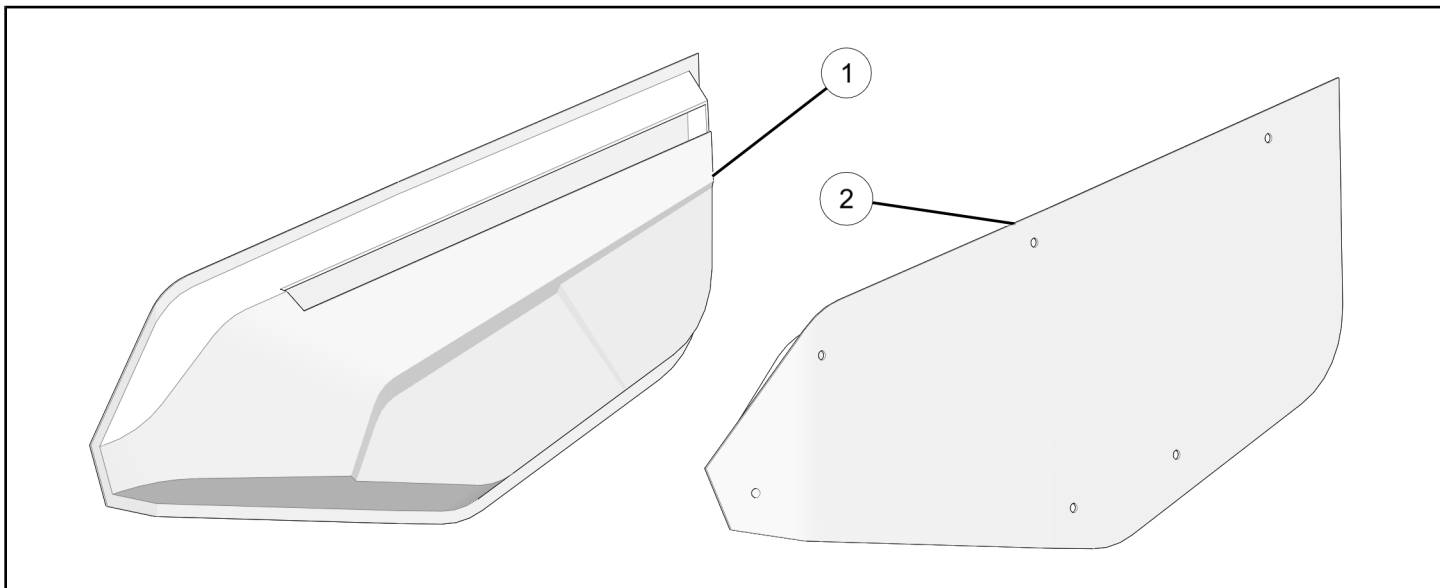
## BEFORE YOU BEGIN

Read these instructions and check to be sure all parts and tools are accounted for. Please retain these installation instructions for future reference and parts ordering information.

## APPLICATION

Verify accessory fitment at [www.polaris.com](http://www.polaris.com).

## KIT CONTENTS



REF	QTY	PART DESCRIPTION	P/N AVAILABLE SEPARATELY
1	1	Bag–Door, Right-Hand	n/a
2	1	Bag–Door, Left-Hand	n/a
3	12	Dart–Plastic (not shown)	7670141

## TOOLS REQUIRED

- Safety Glasses
- Hammer, Soft Face

## IMPORTANT

Your Door Bag Kit is exclusively designed for your vehicle. Please read the installation instructions thoroughly before beginning. Installation is easier if the vehicle is clean and free of debris. For your safety, and to ensure a satisfactory installation, perform all installation steps correctly in the sequence shown.

# INSTALLATION INSTRUCTIONS

## VEHICLE PREPARATION

### GENERAL

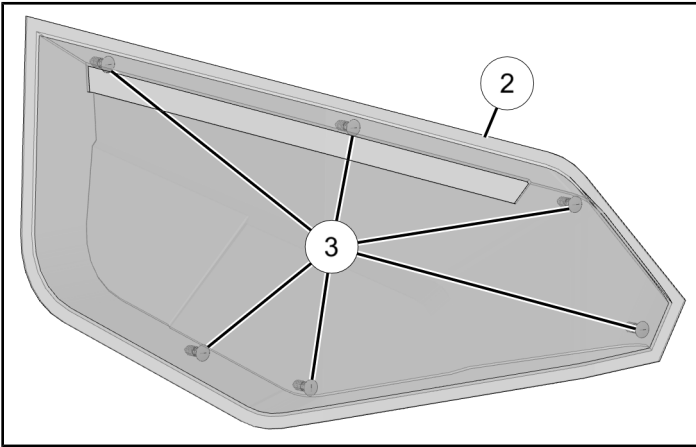
1. Park vehicle on a flat surface.
2. Shift vehicle into PARK.
3. Turn key to OFF position and remove key.

### ACCESSORY INSTALLATION

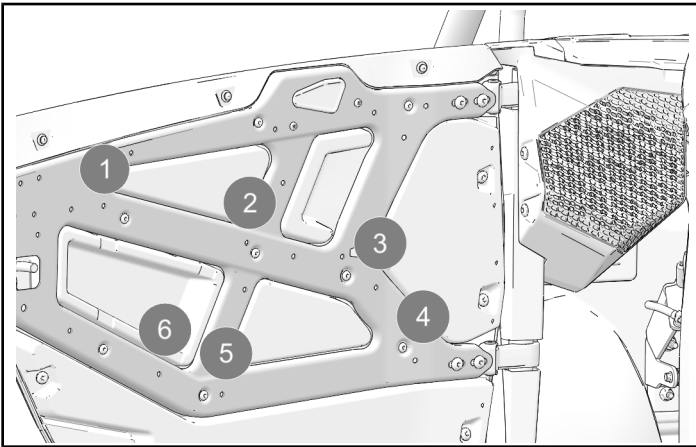
#### NOTICE

Left side shown; right side similar.

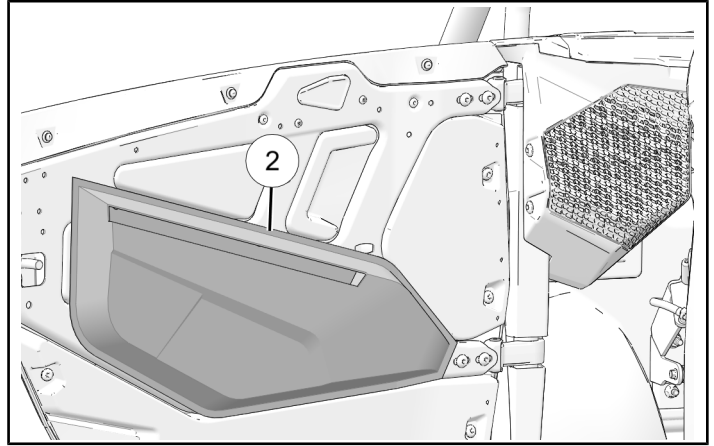
1. Insert six push-darts ③ into door bag ② mounting holes.



2. Identify six mounting holes in door frame.



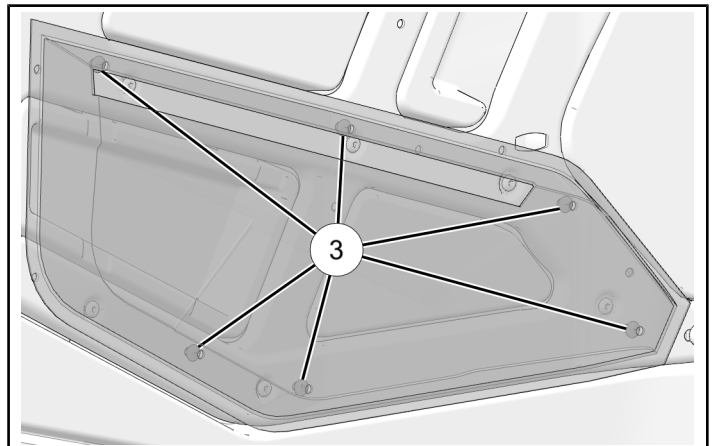
3. Align door bag ② with door frame.



4. Install six push-darts ③ using a soft-faced hammer.

#### TIP

The forwardmost push-dart is difficult to access. Put a wood small block (or equivalent) inside the bag before using a soft-faced hammer to install the push-dart.



## INSTRUCTION FEEDBACK FORM

A feedback form has been created for the installer to provide any comments, questions or concerns about the installation instructions. The form is viewable on mobile devices by scanning the QR code or by clicking [HERE](#) if viewing on a PC.

