

COOLER MOUNT KIT



P/N 2884526

BEFORE YOU BEGIN

Read these instructions and check to be sure all parts and tools are accounted for. Please retain these installation instructions for future reference and parts ordering information.

APPLICATION

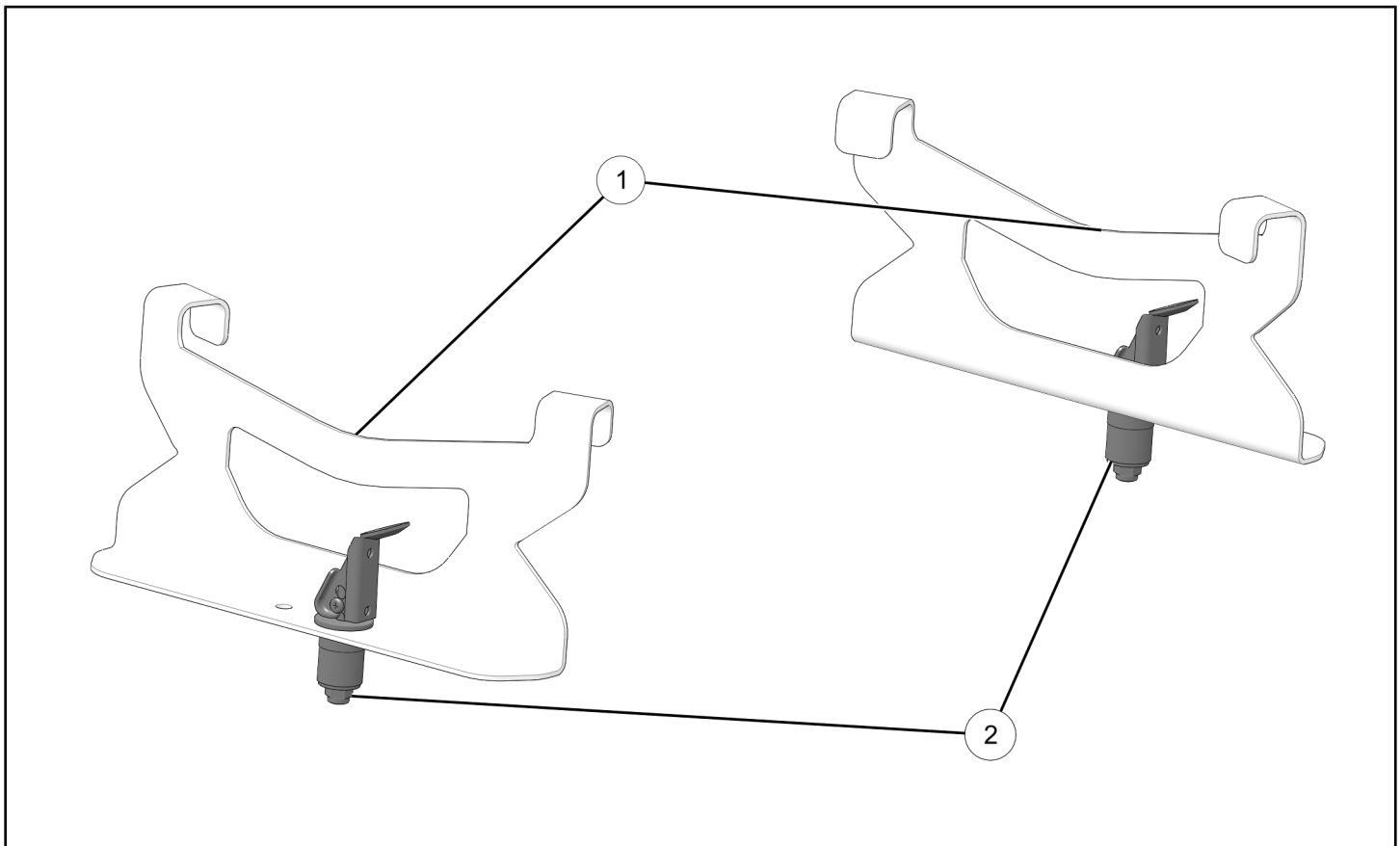
Verify accessory fitment at www.polaris.com.

REQUIRED SOLD SEPARATELY

Only parts for installation of the Cooler Mount Kit are included. For complete installation, the following additional kit is required (sold separately):

- *Polaris Northstar*® 30 qt Cooler, P/N 2883424; 2881315

KIT CONTENTS



| REF | QTY | PART DESCRIPTION | P/N AVAILABLE SEPARATELY |
|-----|-----|----------------------------------------|--------------------------|
| 1 | 2 | Bracket–Cooler Mount | n/a |
| 2 | 2 | Anchor–Lock & Ride® | 2876420 |
| 2.1 | 4 | - Bushing, Rubber, Lock & Ride® Anchor | 5413598 |
| 2.2 | 4 | - Washer, Plastic, Lock & Ride® Anchor | 5437777 |

| REF | QTY | PART DESCRIPTION | P/N AVAILABLE SEPARATELY |
|-----|-----|----------------------------------|--------------------------|
| 2.3 | 4 | - Screw–Pan Head, #8–32 x 3/4 in | 7511875 |
| 2.4 | 4 | - Nut–Nylon Locking | 7547004 |
| 2.5 | 4 | - Nut–Nylon Locking, 5/16–24 in | 7547217 |

TOOLS REQUIRED

- Safety Glasses
- Wrench Set, SAE

IMPORTANT

Your Cooler Mount Kit is exclusively designed for your vehicle. Please read the installation instructions thoroughly before beginning. Installation is easier if the vehicle is clean and free of debris. For your safety, and to ensure a satisfactory installation, perform all installation steps correctly in the sequence shown.

INSTALLATION INSTRUCTIONS

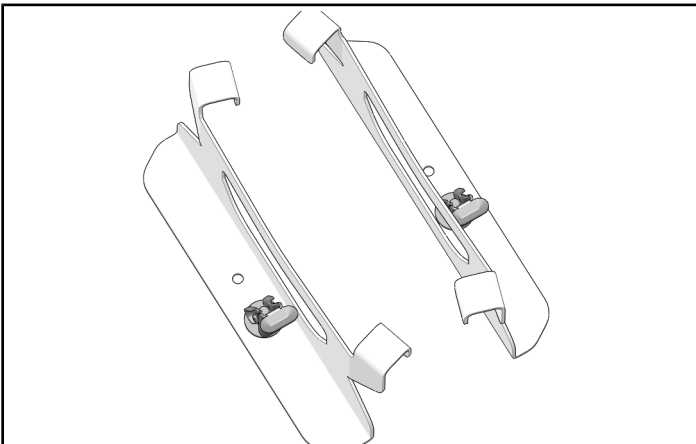
VEHICLE PREPARATION

GENERAL

1. Park vehicle on a flat surface.
2. Shift vehicle into PARK.
3. Turn key to OFF position and remove key.

ACCESSORY INSTALLATION

1. Brackets are identical. Make sure Lock & Ride® anchors are installed according to image below.



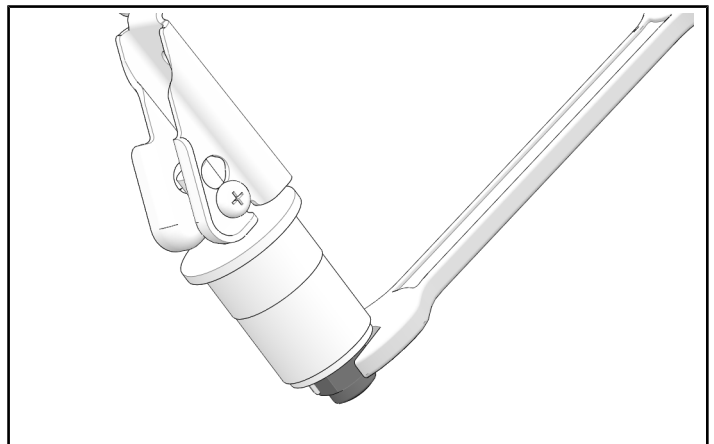
2. Put cooler (sold separately) into cargo box.



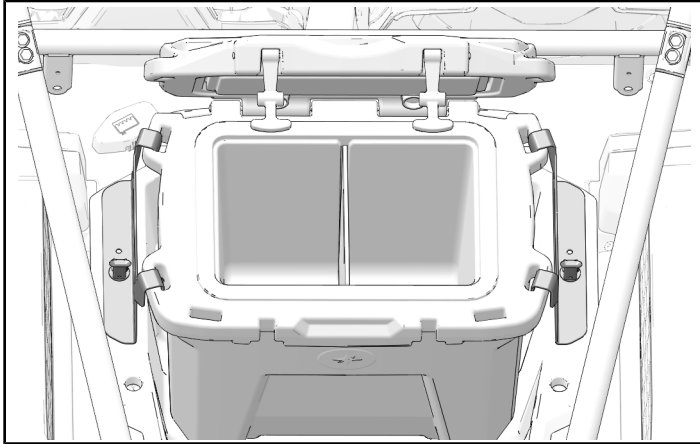
3. Lock & Ride® anchors may need adjustment. Tighten or loosen bottom nut depending on fitment.

NOTICE

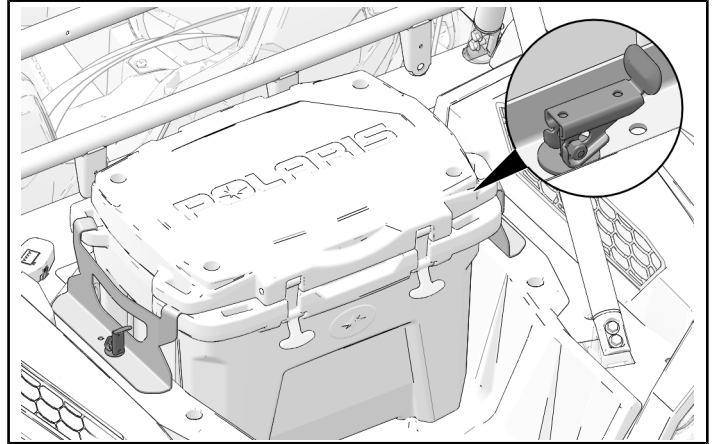
Brackets hidden for clarity.



4. Open lid and put two brackets over cooler. Make sure Lock & Ride® anchors are inside cargo box's mounting holes.



5. Push down on bracket to make sure it is flush against cargo box and close each Lock & Ride® lever to complete installation.



INSTRUCTION FEEDBACK FORM

A feedback form has been created for the installer to provide any comments, questions or concerns about the installation instructions. The form is viewable on mobile devices by scanning the QR code or by clicking [HERE](#) if viewing on a PC.

